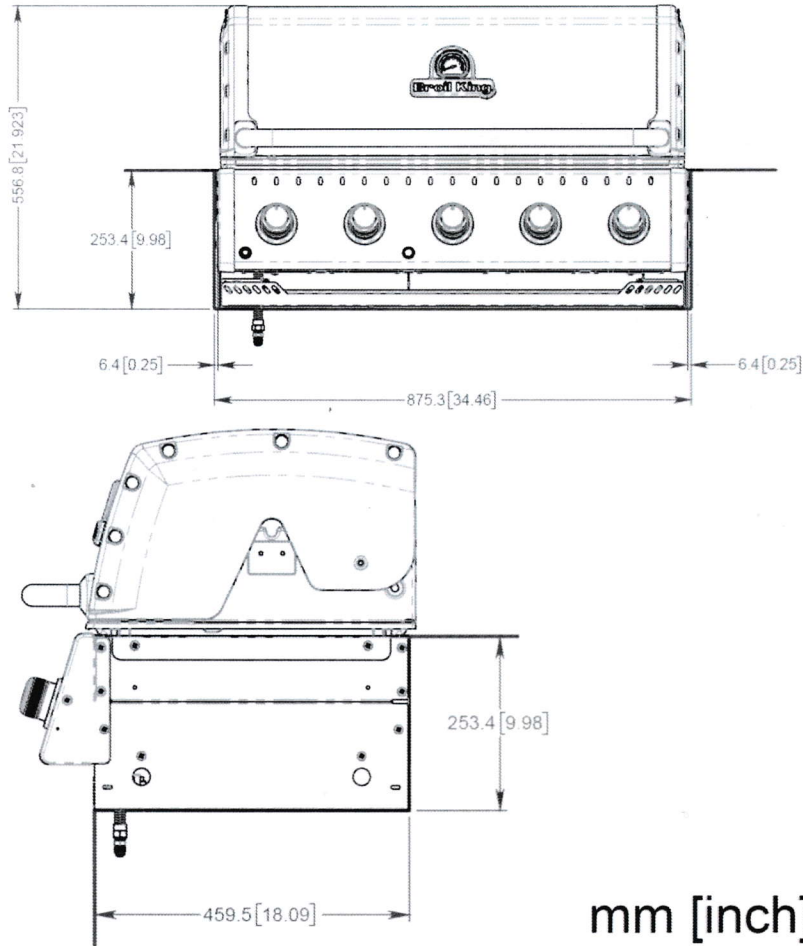


## BARON™ 520 BUILT-IN

The Broil King® Baron™ 520 Built-In features 3,570 Sq. Cm. of primary cooking surface and includes 5 stainless steel Dual-Tube™ burners, reversible heavy duty cast iron cooking grids, warming rack, stainless steel Flav-R-Wave™ cooking system, electronic igniter, illuminated control knobs, and stainless-steel ignition switch.

BARON 520:



mm [inch]

