

BORMANN®

Elite

Life in style.

ELEMENT



BBQ2000
015390

BBQ3000
015406

BBQ3100
015413

BBQ4100
019114

EN FR

IT EL

BG SL

RO HR

v2.2



WWW.NIKOLAOUTOOLS.COM



WARNING
IMPORTANT NOTICE

1. For safe and proper operation, use only LPG cylinders intended for domestic use which are equipped with a safety valve. Also, you should connect the low pressure regulator 30mbar (not adjustable) with the valve of the bottle and the special hose for LPG appliances taking care that no leak or damage to the circuit occurs.
2. The threads of the pressure regulator are counterclockwise.
3. Never and under no circumstances should you leave the grill unattended.
4. If a lot of flames are created that do not extinguish by themselves, close the gas bottle. If you let the fire burn then there is a possibility that the paint of the grill will burn. Before each warm-up you should have cleaned the fat collector, the heat dissipators (flame tamers) and the rest of the grill from fats, as they can ignite and destroy the grill.
5. Heat dissipators (flame tamers) must be cleaned after each use as well as the fat collection pan by immersing in hot water with dishwashing liquid. Do not scrape surfaces when they have glued fats because their paint breaks down.
6. In the case of extensive creation of flames caused from fats in the heat dissipators (flame tubes) deterioration in porcelain dye might occur.
7. If the model you purchased has cast-off grills, do not pour cold water when it is still hot as it may break.
8. Do not use caustic liquids or cleaning sprays.
9. Read the instructions carefully!
10. Any damage caused by non-compliance with the above or failure to comply with the necessary regular cleaning will not be covered by the warranty.

ΠΡΟΣΟΧΗ
ΣΗΜΑΝΤΙΚΗ ΣΗΜΕΙΩΣΗ

1. Για ασφαλή και ορθή λειτουργία χρησιμοποιείτε μόνο φιάλες υγραερίου που προορίζονται για οικιακή χρήση και οι οποίες είναι εξοπλισμένες με βαλβίδα ασφαλείας. Επίσης, στην βάνα της φιάλης θα πρέπει να συνδέσετε τον ρυθμιστή χαμηλής πίεσης 30mbar (όχι ρυθμιζόμενο) και το ειδικό λάστιχο για συσκευές υγραερίου προσέχοντας να μην υπάρχουν διαρροές ή φθορές στο κύκλωμα.
2. Τα σπειρώματα του ρυθμιστή πίεσης είναι αριστερόστροφα.
3. Ποτέ και σε καμία περίπτωση να μην αφήνετε την ψησταριά χωρίς επίβλεψη.
4. Σε περίπτωση που δημιουργηθούν πολλές φλόγες που δεν σβήνουν θα πρέπει να κλείσετε την βάνα της φιάλης υγραερίου. Αν αφήσετε την φωτιά να καίει τότε υπάρχει ενδεχόμενο να καεί η βαφή της ψησταριάς. Επίσης θα πρέπει πριν από κάθε προθέρμανση να έχετε καθαρίσει τον συλλέκτη λίπους, τους διαχύτες θερμότητας (φλογοκρύπτες) και την υπόλοιπη ψησταριά από λίπη, καθώς μπορεί να αναφλεγούν και να καταστρέψουν την ψησταριά.
5. Οι διαχύτες θερμότητας (φλογοκρύπτες) πρέπει να καθαρίζονται μετά από κάθε χρήση καθώς και το ταψί συλλογής λίπους βυθίζοντας σε ζεστό νερό με υγρό πιάτων. Μην ξύνετε τις επιφάνειες όταν έχουν κολλημένα λίπη γιατί χαλάει η βαφή τους.
6. Σε περίπτωση εκτεταμένης φλόγας από λίπη στους διαχύτες θερμότητας (φλογοκρύπτες) μπορεί να προκληθεί αλλοίωση στην βαφή πορσελάνης.
7. Σε περίπτωση που το μοντέλο που αγοράσατε διαθέτει σχάρες από μαντέμι, μην ρίξετε κρύο νερό όταν είναι ακόμα ζεστές καθώς μπορεί να σπάσουν.
8. Μην χρησιμοποιείτε καυστικά υγρά ή σπρέι καθαρισμού.
9. Διαβάστε προσεκτικά τις οδηγίες χρήσης!
10. Τυχόν βλάβες από μη τήρηση των ανωτέρω ή μη τήρηση του απαραίτητου τακτικού καθαρισμού δεν καλύπτονται από την εγγύηση του κατασκευαστή.



Safety Instructions

Please save this instruction manual for future reference!
THIS GAS GRILL IS DESIGNED FOR OUTDOOR USE ONLY!

WARNING: FOR A SAFE AND PROPER OPERATION MAKE SURE TO CONNECT A ONE-WAY PRESSURE REGULATOR (NOT INCLUDED).

Important:

READ ALL INSTRUCTIONS AND OPERATIONS BEFORE OPERATING THIS UNIT. FOLLOW ALL STEPS IN ORDER. NEVER ALLOW CHILDREN TO OPERATE THIS UNIT.

Warnings:

Use outdoors only.
Read the instructions before using the appliance.
Accessible parts maybe very hot, keep young children away.
Do not move the appliance during use.
Turn off the gas supply at the gas cylinder after use.
Any modification of the appliance may be dangerous.
Parts sealed by the manufacturer or his agent must not be altered by the user. Do not modify the appliance

Attention:

Some parts of this appliance become very hot, take special care when children or elderly are present.

For your safety:

Do not store or use gasoline or methylated fuels or any other flammable vapors and liquids in the vicinity of this or any other appliance.
Never light a gas grill with gasoline or comparable fluids!
Suggestion: user should not change the assembly that the manufacturer packaged.

Certain Liquid gas dealers may fill liquid gas cylinders for use in the grill beyond cylinder filling capacity. This "Overfilling" may create a dangerous condition. "Overfilling" tanks can build up excess pressure. As a safety device, the tanks pressure relief valve will vent gas vapour to relieve this excess pressure. This vapour is combustible and therefore can be ignited. To reduce this danger, you should take the following safety precautions:

- When you have your tank filled, be sure you tell the supplier to fill it to no more than 80% of its total capacity.
- If you own or use an extra spare tank, or have a disconnected tank, you should never store it near or under the grill unit or heat box, or near any other ignition or heat source.

Dangers:

If you smell gas:

- Shut off gas to the appliance
- Extinguish any open flame
- Open lid
- If odour continues, keep away from appliance and call your local fire department.

Technical Data				
	BBQ4100	BBQ3100	BBQ3000	BBQ2000
Basic Characteristic	4 +1 burner gas grill	3+1 burner gas grill	3 burner gas grill (without side burner)	2 burner gas grill (without side burner)
Dimensions	L129xW57xH110 cm	L122xW57xH110 cm	L120xW57xH102 cm	L106xW57xH102 cm
Grill surface	L69x W45 cm	L60xW45 cm	L60xW45 cm	L45xW45 cm
Grid	Cast iron with enamel coating			Cast iron
Burner and Power	Stainless steel tube burners, 3,6 kW per burner, 2,7 kW per side burner, total 17,1 kW	Stainless steel tube burners, 3,6 kW per burner, 2,7 kW per side burner, total 13,5 kW	Stainless steel tube burners, 3,6 kW per burner, Total 10,8 kW	Stainless steel tube burners, 3,6 kW per burner, total 7,2 kW
Specific characteristics	2 side metallic shelves, with wheels, INOX thermometer, autoignition switches, removable grease collector, metallic front shelf cover panel (BBQ3000), 2 metallic front doors (BBQ3100, BBQ4100)			
Regulator and hose	not included			

Remark: -SB means with side burner; Allow to put a pan on the side burner. (The diameter of pan is Max. Φ 24cm and Min. \times Φ 8cm)

Mounting steps

Make sure your grill is assembled properly. Detailed assembly instructions are packed with each grill giving specific assembly procedures for each model. Follow these instructions carefully to ensure the correct and safe assembly of the grill.

Caution: Although we take every effort to ensure that the assembly process is as easy as possible, it is inherent with fabricated steel parts that corners and edged can cause cuts if improperly handled during assembly procedures. Be careful while handling any parts during assembly. It is strongly recommended that you protect hands with a pair of work gloves.

Preparation

You will need LPG gas bottle and proper regulators under the gas pressure to operate this gas grill. The regulators should be comply with EN16129 with current version and national regulation.

See point 6 for farther instructions.

Energy saving tips:

- Reduce the opening time of the lid.
- Turn the grill off as soon as cooking is completed.
- Preheat the gas grill for 10 to 15 minutes only. (Except for the first use)
- Do not preheat longer then recommended.
- Do not use a higher setting than required.
- Connect the hose and regulator to the gas container at the left side of the gas grill .Keeping in mind that the gas container must be kept away from heat and in a safe position .The hose dimension is 8-10mm diameter. The Length of hose recommended which shall not exceed 1.5m. The flexible hose should comply with relevant standard and local code.

Installation

After purchasing your gas cylinder you will then be ready to set it up with your gas grill.

- When changing the gas cylinder, it shall be carried out away from any source of ignition. Position the gas cylinder at left side of your gas grill, should not be placed inside BBQ, keeping in mind that the bottle must be kept away from heat and in a safe position.
- When ready to use your gas grill insert the regulator into the gas bottle valve and tighten firmly.

Warning: Before attempting to light your gas grill you must refer to your lighting instructions and warning / safety points.

Check the hose before each use, searching for cracking, cuts or any abrasions. If the hose is found to be faulty in any way do not attempt to use your gas grill. When changing your gas bottle ensures that there are no sources of ignition close by i.e. fires, cigarettes, naked flames etc. Make sure that the appliance is switched off.

Ensure that the hose is not subjected to twisting which will affect the gas flow when installing your gas grill. Also the hose must not have undue tension and must not touch any part of the gas grill which may be hot.

- Please choose flexible hose whose heatproof higher than 80 °C.
- Flexible tube should be changed every 2 years. It's necessary to change the flexible tube when the national conditions require it.

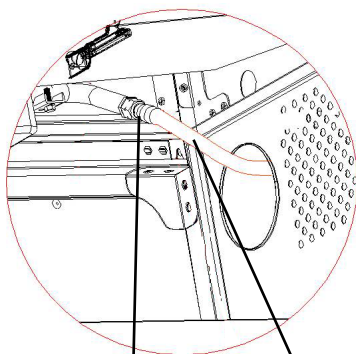
How to change your cylinder

Note: Turn off the switch of cylinder (No spanner is required)

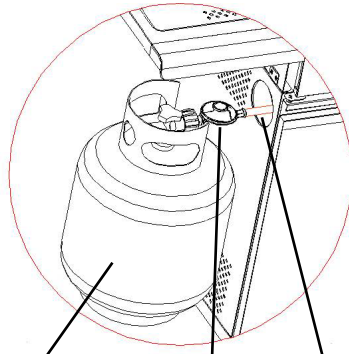
The height of the gas cylinder is below the 80cm, and the width is within 35cm

How to connect a gas bottle

- Turn the orange cap so that the arrow is pointing to the gap in the shroud.
- Remove the orange safety cap by pulling the lanyard out, then out. Do not use tools. Leave the cap hanging.
- Check that the black sealing washer is fitted inside the cylinder valve. Connect the regulator to the valve.
- Turn the switch clockwise on gas bottle-then turn on the gas grill as instructed.



Gas connector Hose



Gas cylinder Regulator Hose

*For the product without gas cylinder compartment only.

Warning: Always test gas line for leaks at connector with soap water finishing all connections.

How to disconnect a gas bottle

- Except for twin-cylinder installations with a changeover valve, turn off the gas tap if fitted to the appliance. Wait until the burner and pilot light have gone out. For installations with a changeover valve, it is only necessary to switch off the empty cylinder.
- Replace the orange safety cap onto the empty cylinder.

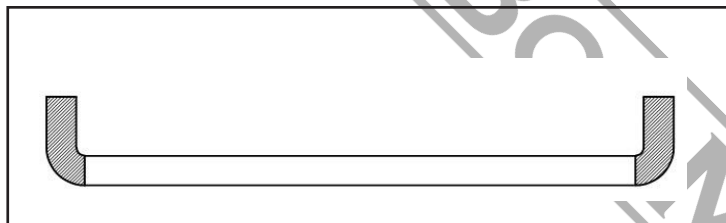
Warning and safety points

Please read the following points before using your gas grill:

- Read the instructions before using the appliance. If instructions are not followed it may cause problems in use.
- This gas grill accessible parts maybe very hot when being used. Keep young children away. Use protective when handling particularly hot components.
- In the event of a gas leak, Turn off the gas supply at the gas bottle, extinguish any open flames, open lid and if leak continues, check for damages, poor connections etc. Contact your local gas dealer immediately if the problem can't be solved.
- Do not move Gas grill during use.
- Do not use or store any liquids, vapours or other materials in the vicinity when operating the gas grill.
- This gas grill only to be used outdoors.
- Do not use a naked flame to check for gas leaks.
- Do not operate gas grill if there is a gas leak. Turn off the gas supply.
- Do not attempt to disconnect any gas fitting part if your gas grill is being used, on the gas grill or the gas regulator / bottle.
- Care is advised when operating your gas grill, you should never leave unattended when in use. Turn off the gas supply at the gas container after use.
- The gas grill should be cleaned after use. Don't obstruct the fire opening of the container compartment. If the fire opening is obstructed, please use $\Phi 1.6\text{mm}$ round stick to dredge.

Take care not to enlarge burner ports or orifice/nozzle openings when cleaning the burner or valves.

- Do not attempt to use this appliance in a garage or any enclosed area. Also this appliance must be keep away from flammable materials during use, etc. We recommend keeping a distance of at least 0.5 to 1.0 meter clear of any flammable materials.
- We would recommend that this gas grill should be serviced by your local gas retail outlet at least once a year by a competent engineer. Do not attempt to service this appliance yourself.
- Any modification of the appliance may be dangerous. Do not attempt any unauthorized interference of the main controls on this gas grill, i.e. gas taps, injectors, valves etc.



WARNING: The Handle Black Area (See Above Picture for Reference) Will Become Hot When the Gas grill In Use, BE CAREFUL! Do Not Touch The Black Area.

Safety precautions

- Always test gas line for leaks at connector with soapy water after making connections.
- The top lid must always be open when lighting the burner.
- Use oven gloves and sturdy, long handled gas grill tools when cooking on the grill.
- Be prepared if an accident or fire should occur. Know where the first aid kit and fire extinguishers are and know how to use them.
- Keep any electrical supply cord and the fuel supply hose away from any heated surfaces.
- Always cook with great care.
- Do not heat any unopened glass or metal container of food on the grill. Pressure may build up and cause the container to burst, possibly resulting in serious personal injury or damage to the grill.

Operating instructions

Caution: The lid must be open when lighting the burner!

Do not stand with your face directly over the gas grill when lighting it.

Your gas grill will have following method of ignition:

Pilot Gas Control Ignition (Main burner or main burner with side burner): With all gas controls on the Gas grill in the "OFF" position "OFF", turn the gas cylinder valve to the on position at the regulator. To create a spark you must press the control knob (A) and hold in this position for 3-5 seconds to allow gas flow and then turn anticlockwise to "HIGH" (B). It can spark to the burner lighting tube (C). You will hear a "snap" from the igniter and you will also see a orange flame coming from the burner lighting tube at the left side of the burner (D).

Continue to hold the burner control knob in for two seconds after the "snap", this will allow gas to flow completely down the burner tube (E) and insure ignition.

When the burner is alight, adjacent burners will cross light when their controls are turned to "HIGH"

At "High" setting the burner flame should be approximately 12-20mm long with a minimum of orange flame. Turn the gas control fully anticlockwise for minimum setting.

Should you have any difficulty lighting your gas grill following the above steps, contact your dealer for advice.

If the automatic ignition can't be used, please remove the cooking grill and heat diffuser(hotplate), and turn the valve anticlockwise to 90° to light with BBQ lighter in the distance of 5mm to the burner fire hole. Replace the cooking grill and heat diffuser (hotplate), please wear the fireproof and heat resisting gloves.

Warning : If the burner still does not light ,turn the burner control knob to " OFF" and wait 5 minutes to let the gas clear before lighting again.

Storage

Your Gas Bottle must be stored outdoors in a well ventilated area and must be disconnected from your gas grill when not being used. Ensure that you are outdoors and away from any sources of ignition before attempting to disconnect your gas bottle from your gas grill.

When you are using your gas grill after a period of storage, please ensure to check for gas leaks and check for any obstructions in the burner etc. before using. Also follow the cleaning instructions to ensure gas grill is safe.

If gas grill is stored outdoors ensure to check that all areas under the front panel are free from any obstructions (insects etc.) This area must be kept free as this may affect the flow of combustion or ventilation air.

Cleaning instructions

Maintenance is recommended that every 90 days for your gas grill, but it is absolutely necessary to perform maintenance at least once a year. By doing so, you will extend the life of your gas grill.

Your gas grill is easy to clean with minimum effort, just follow these helpful hints for cleaning convenience.

Troubleshooting		
Emergencies	Possible cause	Prevention/ Solution
Gas leaking from cracked / cut / burned hose.	Damaged hose.	Turn off gas at LP tank, if hoses is cut or cracked, replace hose. See LP tank lead test and connection regulator to the LP.
Gas leaking from LP tank valve.	Mechanical failure due to resting or mishandling.	Turn off LP tank valve.
Gas leaking from LP tank valve.	Failure or tank valve from mishandling or mechanical failure	Turn off LP tank valve. Return LP tank to gas supplier
Gas leaking between LP tank and regulator connection	Improper installation, connection not tight, failure of rubber seal	Turn off LP tank valve, remove regulator from cylinder and visually inspect rubber seal for damage, see LP tank test and connection regulator to the LP tank
Fire coming through control panel	Fire in burner tube section of burner due to partial blockage	Turn off control knobs and LP tank valve. After fire is out and grill is cold, remove burner and inspect for spider nests or rust see natural hazard and cleaning the burner assembly pages.
Grease fire or excessive flames above cooking surface	Too much grease buildup in burner area.	Turn off LP Tank. Leave lid open to allow flames to die down. After cooling, clean food particles and excess grease from inside firebox area, grease cup/pan/tray, and other surfaces
Burner will not light using igniter.	Gas issues	
	1. Trying to light wrong burner	1. See instructions on control panel and section in the Use and Care.
	2. Burner not engaged with control valve	2. Make sure valve are positioned inside of burner tubes.
	3. Obstruction in burner.	3. Ensure burner tubes are not obstructed with spider webs or other
Burner will not light using igniter.	Electrical issues	
	1. Electrode cracked or broken;" sparks at crack."	1. Replace electrode.
	2. Electrode tip not in proper position	2. Tip of electrode should be pointing toward port hole in burner. The distance should be 1/8" to 3/16". Adjust if necessary.
	3. Wire and/or electrode covered with cooking residue.	3. Clean wire and or electrode with rubbing alcohol and clean swab.
4. Wires are loose or disconnected	4. Reconnect wires or replace electrode/wire assembly.	
5. Wires are shorting (sparking) between igniter and electrode.	5. Replace igniter wire	
6. Push button sticks at bottom sparking between igniter and electrode	6. Replace igniter	
		7. Inspect wire insulation and proper connection. Replace wires if insulation is broken.
Burner will not match light	See "gas issues;" on previous page.	1. See "Pilot Gas Control Ignition" section of use and care.
	2. Improper method of match-lighting	

Sudden drop in gas flow or low flame	1. Grease buildup. 2. Excessive fat in meat. 3. Excessive cooking temperature	1. Clean burners and inside of grill / firebox 2. Trim fat from meat before grilling. 3. Adjust (lower) temperature
Flames blow out	High or gusting winds. Low on LP gas. Excess flow valve tripped.	Turn front of grill to face wind or increase flame height. Refill LP tank. Refer to “sudden drop in gas flow” above.
Persistent grease fire	Grease trapped by food buildup around burner system.	Turn knobs to OFF. Turn gas off at LP tank. Leave lid in position and let fire burn out. After grill cools, remove and clean all parts.
Flashback (fire in burner tube(s))	Burner and burner tubes are blocked	Turn knobs to OFF, clean burner and/or burner tubes. See burner cleaning section of use and care manual
Flare-up	1. Grease buildup. 2. Excessive fat in meat. 3. Excessive cooking temperature	1. Clean burners and inside of grill / firebox 2. Trim fat from meat before grilling. 3. Adjust (lower) temperature
Unable to fill LP tank	Some dealers have older fill nozzles with worn threads.	Turn worn nozzles don't have enough “bite” to engage the valve. Try a second LP dealer.
One burner does not light from other burner(s)	Grease buildup or food particles in end of carryover tube	Clean carry-over tube with wire brush

If your problem is not resolved from the information above, please Contact your local gas dealer.

- a) Turn the burner on for 15 to 20 minutes. Ensure appliance is cold before continuing.
- b) Grids should be cleaned periodically by soaking and washing in soapy water.
- c) The interior surfaces of the grill housing cover should also be washed with hot, soapy water. Use a wire brush, steel wool or a scouring pad to remove stubborn spots.
- d) Periodically check the burner to see that it is free from insects and spiders which may clog the gas system, deflecting gas flow. Ensure to clean venturi pipes on burner very carefully, make sure that there are no obstructions. We recommend that you use a pipe cleaner to clean the venturi pipe area.
- e) Any modifications of this appliance may be dangerous and are not permitted.

Gas grill Safety Hints

Stand your gas grill on a safe level surface, away from inflammable items such as wooden fences or overhanging tree branches. Never use your gas grill indoors!

Once lit do not move your gas grill or leave it unattended.

Keep children and pets at a safe distance from the gas grill.

Keep a fire extinguisher handy.

The gas grill will become hot when in use, so handle lids etc. with the help of gloves.

Ensure that the appliance has completely cooled down before storing.

Use outdoors only!

Read the instructions before using the gas grill.

Assessable parts may be very hot, Keep young children away!

Do not move the gas grill during using.

Turn off the gas supply at the gas container after use.

Any modification of the appliance may be dangerous and be not permitted.

Maintenance center: please go to the local dealers for production maintenance.

Οδηγίες Ασφαλείας

Κρατήστε το εγχειρίδιο χρήσης για μελλοντική αναφορά!

Η ψησταριά υγραερίου είναι σχεδιασμένη μόνο για εξωτερική χρήση!

ΠΡΟΣΟΧΗ: ΓΙΑ ΑΣΦΑΛΗ ΚΑΙ ΟΡΘΗ ΛΕΙΤΟΥΡΓΙΑ ΔΙΑΣΦΑΛΙΣΤΕ ΤΗΝ ΣΥΝΔΕΣΗ ΜΕ ΕΝΑΝ ΡΥΘΜΙΣΤΗ ΠΙΕΣΗΣ ΜΕ ΑΝΤΕΠΙΣΤΡΟΦΗ ΒΑΛΒΙΔΑ ΔΕΝ ΠΕΡΙΛΑΜΒΑΝΕΤΑΙ)

ΣΗΜΑΝΤΙΚΟ:

ΔΙΑΒΑΣΤΕ ΟΛΕΣ ΤΙΣ ΟΔΗΓΙΕΣ ΚΑΙ ΤΙΣ ΔΙΑΔΙΚΑΣΙΕΣ ΠΡΙΝ ΤΗΝ ΛΕΙΤΟΥΡΓΙΑ ΤΗΣ ΜΟΝΑΔΑΣ. ΑΚΟΛΟΥΘΗΣΤΕ ΟΛΑ ΤΑ ΒΗΜΑΤΑ ΜΕ ΤΗΝ ΣΕΙΡΑ. ΜΗΝ ΑΦΗΝΕΤΕ ΠΟΤΕ ΠΑΙΔΙΑ ΝΑ ΛΕΙΤΟΥΡΓΟΥΝ ΤΗΝ ΜΟΝΑΔΑ.

Προειδοποιήσεις

Χρησιμοποιείτε την ψησταριά υγραερίου μόνο σε εξωτερικό χώρο.

Διαβάστε τις οδηγίες πριν χρησιμοποιήσετε την συσκευή.

Προσβάσιμα μέρη της ψησταριάς υγραερίου μπορεί να είναι καυτά, κρατήστε τα παιδιά μακριά.

Μην μετακινείτε την ψησταριά υγραερίου κατά την διάρκεια της χρήσης.

Κλείστε την παροχή υγραερίου στην φιάλη υγραερίου μετά την χρήση.

Κάθε μετατροπή της ψησταριάς υγραερίου μπορεί να καταστεί επικίνδυνη.

Εξαρτήματα τα οποία έχουν σφραγιστεί από τον κατασκευαστή ή προμηθευτή αυτού δεν πρέπει να υφίστανται μετατροπή από τον χρήστη. Μην μετατρέπετε με κανένα απολύτως τρόπο την ψησταριά υγραερίου.

Προσοχή:

Ορισμένα τμήματα της ψησταριάς μπορεί να γίνουν καυτά, προσέχετε ιδιαίτερως όταν βρίσκονται μαζί σας παιδιά ή άτομα μεγάλης ηλικίας.

Για την ασφάλειά σας:

Μην αποθηκεύετε ή χρησιμοποιείτε βενζίνη ή καύσιμα με μεθανόλη ή άλλα καύσιμα αέρια και υγρά στην περιοχή αυτής της συσκευής ή οποιασδήποτε άλλης συσκευής.

Ποτέ μην λειτουργείτε μην ψησταριά υγραερίου με βενζίνη ή άλλα συγκρίσιμα καύσιμα!

Ο χρήστης δεν πρέπει ποτέ να μεταβάλλει το συγκρότημα το οποίο έχει πακετάρει ο κατασκευαστής.

Ορισμένοι προμηθευτές υγραερίου μπορεί να γεμίσουν φιάλες υγραερίου για χρήση στη ψησταριά υγραερίου πέραν της ικανότητας πλήρωσης των φιαλών. Η "υπερπλήρωση" αυτή μπορεί να δημιουργήσει μια δυνητικά επικίνδυνη κατάσταση καθώς η "υπερπλήρωση" φιαλών να μπορεί να προκαλέσει υπέρμετρη πίεση. Ως διάταξη ασφαλείας, η ανακουφιστική βαλβίδα πίεσης των φιαλών απελευθερώνει αέριο σε μορφή ατμών ώστε να περιορίσει την υπερβολική αυτή πίεση. Το αέριο αυτό είναι εύφλεκτο και επομένως μπορεί ενδεχομένως να αναφλεγεί. Προκειμένου να μειώσετε τον κίνδυνο αυτό, θα πρέπει να λάβετε τις ακόλουθες προφυλάξεις ασφαλείας:

A. Όταν πρέπει να γεμίσετε την φιάλη/τις φιάλες σας, βεβαιωθείτε ότι έχετε ενημερώσει τον προμηθευτή σας να την γεμίσει **με όχι περισσότερο από το 80% της συνολικής χωρητικότητάς της.**

B. Εάν κατέχετε ή χρησιμοποιείτε μια επιπλέον εφεδρική φιάλη, ή διαθέτε μια αποσυνδεδεμένη φιάλη, δεν πρέπει ποτέ να την αποθηκεύετε κοντά ή κάτω από τη ψησταριά ή κοντά σε οποιαδήποτε άλλη πηγή θερμότητας που θα μπορούσε να προκαλέσει ανάφλεξη ή έκρηξη.

Εάν ανιχνεύσετε οσμή υγραερίου:

1. Κλείστε την παροχή αερίου στην συσκευή.
2. Σβήστε οποιαδήποτε ανοικτή φλόγα.
3. Ανοίξτε το καπάκι.
4. Εάν η οσμή εξακολουθεί να υπάρχει, απομακρυνθείτε από την ψησταριά και καλέστε το τοπικό τμήμα πυροσβεστικής.

Τεχνικά χαρακτηριστικά				
	BBQ4100	BBQ3100	BBQ3000	BBQ2000
Βασικό χαρακτηριστικό	ψησταριά υγραερίου με 4 + 1 (πλαϊνή) εστίες	ψησταριά υγραερίου με 3 + 1 (πλαϊνή) εστίες	ψησταριά υγραερίου με 3 εστίες (χωρίς πλαϊνή εστία)	ψησταριά υγραερίου με 2 εστίες (χωρίς πλαϊνή εστία)
Διαστάσεις	L129xW57xH110 cm	L122xW57xH110 cm	L120xW57xH102 cm	L106xW57xH102 cm
Επιφάνεια ψησίματος	L69xW45 cm	L60xW45 cm	L60xW45 cm	L45xW45 cm
Σχάρα	μαντεμένια σχάρα με εμαγιέ επικάλυψη			μαντεμένια σχάρα
Εστίες και ισχύς	4 εστίες (x 3,6 kW) + 1 πλαϊνή εστία (2,7 kW), συνολική ισχύς 17,1 kW	3 εστίες (x 3,6 kW) + 1 πλαϊνή εστία (2,7 kW), συνολική ισχύς 13,5 kW	3 εστίες (x 3,6 kW) συνολική ισχύς 10,8 kW	2 εστίες (x 3,6 kW) συνολική ισχύς 7,2 kW
Ειδικά χαρακτηριστικά	2 πλευρικά μεταλλικά ράφια, τροχήλατη (2 τροχίσκοι), INOX θερμόμετρο, διακόπτες αυτόματης ανάφλεξης, αφαιρούμενος συλλέκτης λίπους, μεταλλικό μπροστινό πάνελ κάλυψης ραφίου (BBQ3000), 2 μεταλλικές μπροστινές πόρτες (BBQ3100, BBQ4100)			
Ρυθμιστής και σωλήνας	δεν περιλαμβάνονται			

Βήματα συναρμολόγησης

Βεβαιωθείτε ότι η ψησταριά υγραερίου έχει συναρμολογηθεί σωστά. Λεπτομερείς οδηγίες συναρμολόγησης παρέχονται με κάθε ψησταριά οι οποίες περιγράφουν συγκεκριμένες διαδικασίες συναρμολόγησης για κάθε μοντέλο. Ακολουθήστε προσεκτικά αυτές τις οδηγίες ώστε να εξασφαλίσετε τη σωστή και ασφαλή συναρμολόγηση της ψησταριάς υγραερίου. Αν και έχει γίνει κάθε προσπάθεια προκειμένου να εξασφαλιστεί ότι η διαδικασία συναρμολόγησης είναι όσο το δυνατόν απλούστερη, εγγενώς τα κατασκευασμένα τμήματα χάλυβα με γωνίες και ακμές μπορούν ενδεχομένως να προκαλέσουν τραυματισμούς με κακούς χειρισμούς κατά τη διάρκεια των διαδικασιών συναρμολόγησης. Να είστε προσεκτικοί κατά το χειρισμό τυχόν εξαρτημάτων κατά τη διάρκεια της συναρμολόγησης. Συνιστάται ιδιαίτέρως να προστατεύετε τα χέρια σας με ένα ζευγάρι γαντιών εργασίας.

Προετοιμασία: Θα χρειαστείτε φιάλη υγραερίου και τις κατάλληλες ρυθμιστικές βαλβίδες αντεπιστροφής υπό την πίεση του υγραερίου προκειμένου να λειτουργήσετε την ψησταριά υγραερίου. Οι ρυθμιστικές βαλβίδες αντεπιστροφής θα πρέπει να συμμορφώνονται με την τρέχουσα έκδοση του προτύπου EN16129 και τους εθνικούς κανονισμούς.

Συμβουλές εξοικονόμησης ενέργειας:

- Μειώστε τον χρόνο λειτουργίας με ανοικτό το το καπάκι.
- Σβήστε την ψησταριά υγραερίου μόλις ολοκληρωθεί το ψήσιμο.
- Προθερμάνετε την ψησταριά υγραερίου για 10 έως 15 λεπτά μόνο (εκτός από την πρώτη χρήση).
- Μην προθερμαίνετε περισσότερο από ότι συνιστάται.
- Μην χρησιμοποιείτε υψηλότερη ρύθμιση από την απαιτούμενη.
- Συνδέστε τον σωλήνα και την βαλβίδα αντεπιστροφής στην φιάλη υγραερίου στην αριστερή πλευρά της ψησταριάς, λαμβάνοντας υπόψη ότι η φιάλη υγραερίου πρέπει να φυλάσσεται μακριά από θερμότητα και να βρίσκεται σε ασφαλή σχετικά θέση. Η διάμετρος σωλήνα είναι 8 - 10mm. Το συνιστώμενο μήκος του εύκαμπτου σωλήνα δεν πρέπει να υπερβαίνει το 1,5 m. Ο εύκαμπτος σωλήνας θα πρέπει να συμμορφώνεται με τους σχετικούς τυποποιημένους και εγχώριους κανονισμούς.

Εγκατάσταση

Αφού αγοράσετε την φιάλη αερίου μπορείτε να την τοποθετήσετε στην ψησταριά αερίου.

- Κατά την αντικατάσταση της φιάλης αερίου, η αντικαθιστώμενη φιάλη πρέπει να μεταφέρεται μακριά από οποιαδήποτε πηγή θερμότητας ή σημείο που μπορεί να προκαλέσει ανάφλεξη. Τοποθετήστε την νέα φιάλη αερίου στην αριστερή πλευρά της ψησταριάς, λαμβάνοντας υπόψη δεν πρέπει να τοποθετηθεί εντός του BBQ, η φιάλη πρέπει να κρατηθεί όσο το δυνατόν μακριά από θερμότητα και σε ασφαλή θέση.
- Όταν είστε έτοιμοι να χρησιμοποιήσετε την ψησταριά υγραερίου τοποθετήστε την βαλβίδα αντεπιστροφής και συσφίξτε προς σταθεροποίηση αυτής.

Προειδοποίηση: Πριν επιχειρήσετε να ανάψετε την ψησταριά, ανατρέξτε με προσοχή τις οδηγίες και στα σημεία προειδοποίησης και ασφάλειας.

Ελέγξτε τον εύκαμπο σωλήνα πριν από κάθε χρήση, ψάχνοντας για επιφανειακές ρωγμές, κοψίματα ή τυχόν εκδορές. Εάν διαπιστωθεί ότι ο εύκαμπτος σωλήνας είναι ελαττωματικός με οποιονδήποτε τρόπο, μην επιχειρήσετε να χρησιμοποιήσετε την ψησταριά υγραερίου. Κατά την αντικατάσταση της φιάλης αερίου βεβαιωθείτε ότι δεν υπάρχουν πηγές ανάφλεξης κοντά, π.χ. φωτιά, τσιγάρα, φλόγα κλπ. Βεβαιωθείτε ότι η συσκευή είναι απενεργοποιημένη. Βεβαιωθείτε ότι ο εύκαμπτος σωλήνας δεν υποβάλλεται σε συστολή που θα επηρεάσει τη ροή του αερίου κατά την εγκατάσταση της ψησταριάς. Επίσης, ο εύκαμπτος σωλήνας δεν πρέπει να υφίσταται αδικαιολόγητη τάση και δεν πρέπει να αγγίζει κανείς κανένα τμήμα της ψησταριάς αερίου που μπορεί να είναι καυτό.

- Επιλέξτε πυρίμαχο εύκαμπο σωλήνα που να αντέχει σε θερμοκρασίες άνω των 80 βαθμών κελσίου.

- Ο εύκαμπτος σωλήνας πρέπει να αντικαθίσταται κάθε 2 έτη. Είναι απαραίτητο να προβαίνετε σε αντικατάσταση του εύκαμπτου σωλήνα (γνωστού και ως λάστιχου αερίου) όταν το απαιτούν οι εθνικοί κανονισμοί και η αντίστοιχη νομοθεσία.

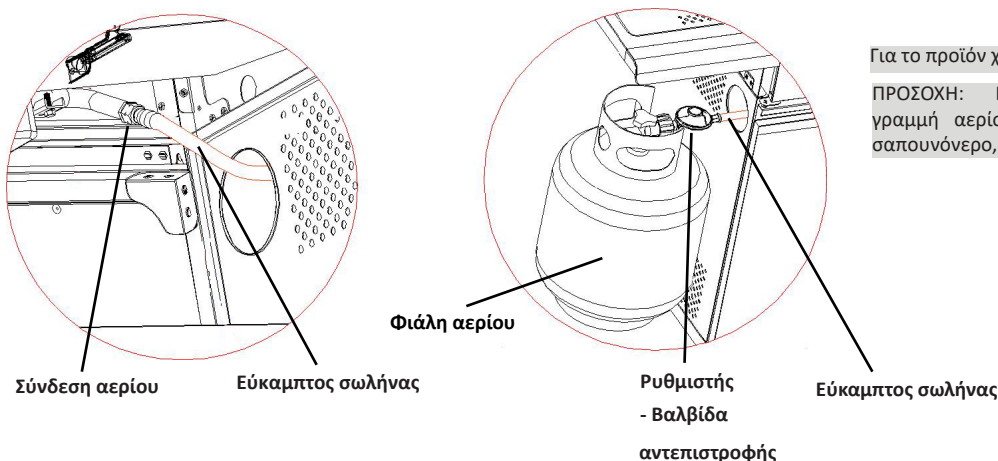
Αντικατάσταση φιάλης

Κλείστε τον διακόπτη της φιάλης (δεν απαιτείται κλειδί σύσφιξης)

Το ύψος της φιάλης αερίου ανέρχεται σε λιγότερο από 80 cm, και το πλάτος εντός 35 cm.

Σύνδεση νέας φιάλης αερίου

- Γυρίστε το πορτοκαλί καπάκι έτσι ώστε το βέλος δείχνει προς το κενό στο κάλυμμα.
- Αφαιρέστε το πορτοκαλί καπάκι ασφαλείας τραβώντας το κορδόνι προς τα έξω. Μην χρησιμοποιείτε εργαλεία. Αφήστε το καπάκι να κρέμεται.
- Ελέγξτε ότι η μαύρη ροδέλα σφράγισης είναι τοποθετημένη μέσα στη βαλβίδα φιάλης. Συνδέστε τον ρυθμιστή στην βαλβίδα.
- Γυρίστε το διακόπτη δεξιόστροφα στη φιάλη αερίου και ανάψτε τη ψησταριά αερίου σύμφωνα με τις οδηγίες.



Για το προϊόν χωρίς το τμήμα φιάλης αερίου μόνο

ΠΡΟΣΟΧΗ: Πάντοτε να ελέγχετε την γραμμή αερίου για διαρροές σύνδεσης με σαπουνόνερο, εξετάζοντας όλες τις συνδέσεις.

Πώς να αποσυνδέσετε μια φιάλη αερίου

α. Με εξαίρεση την περίπτωση εγκαταστάσεων δύο φιαλών με μια βαλβίδα αλλαγής, κλείστε τη παροχέτευση αερίου εάν είναι τοποθετημένη στη συσκευή. Περιμένετε μέχρι να σβήσει ο καυστήρας και η πιλότικη φλόγα στο αντίστοιχο εξάρτημα. Για εγκαταστάσεις με βαλβίδα αλλαγής, είναι απαραίτητο μόνο να κλείσετε την άδεια φιάλη.

β. Τοποθετήστε το πορτοκαλί καπάκι ασφαλείας στην άδεια φιάλη.

Προειδοποιήσεις και θέματα ασφαλείας

Παρακαλούμε διαβάστε τα ακόλουθα σημεία πριν χρησιμοποιήσετε την ψησταριά υγραερίου:

α. Διαβάστε τις οδηγίες πριν χρησιμοποιήσετε την συσκευή αυτή. Εάν δεν ακολουθούνται οι οδηγίες, μπορεί να δημιουργηθούν προβλήματα κατά την χρήση.

β. Τα προσβάσιμα μέρη της ψησταριάς ίσως γίνουν καυτά όταν χρησιμοποιείται. Κρατήστε τα μικρά παιδιά μακριά. Χρησιμοποιείτε αντίστοιχη προστασία όταν χειρίζεστε ιδιαίτερα καυτά εξαρτήματα.

γ. Σε περίπτωση διαρροής αερίου, απενεργοποιήστε την παροχή αερίου στη φιάλη αερίου, σβήστε τυχόν φλόγες, ανοίξτε το καπάκι και αν συνεχιστεί η διαρροή, ελέγξτε για φθορές, κακές συνδέσεις κ.α. Επικοινωνήστε αμέσως με τον αρμόδιο τεχνικό εάν το πρόβλημα δεν μπορεί να επιλυθεί άμεσα.

δ. Μην μετακινείτε τη ψησταριά υγραερίου κατά τη χρήση.

ε. Μην χρησιμοποιείτε ή αποθηκεύετε υγρά, αέρια ή άλλα υλικά στην περιοχή λειτουργίας της ψησταριάς υγραερίου.

στ. Η ψησταριά υγραερίου μπορεί να χρησιμοποιηθεί μόνο σε εξωτερικούς χώρους.

ζ. Μην χρησιμοποιείτε γυμνή φλόγα προκειμένου να ελέγξετε για τυχόν διαρροές υγραερίου.

η. Μην χρησιμοποιείτε την ψησταριά υγραερίου σε περίπτωση διαρροής υγραερίου. Κλείστε την παροχή υγραερίου.

θ. Μην επιχειρήσετε να αποσυνδέσετε οποιοδήποτε εξάρτημα υγραερίου εάν η ψησταριά υγραερίου βρίσκεται σε λειτουργία ή αντίστοιχως τον ρυθμιστή αερίου / φιάλη.

ι) Συνιστάται προσοχή κατά τη λειτουργία της ψησταριάς υγραερίου, δεν πρέπει ποτέ να την αφήνετε χωρίς επίβλεψη όταν την χρησιμοποιείτε.

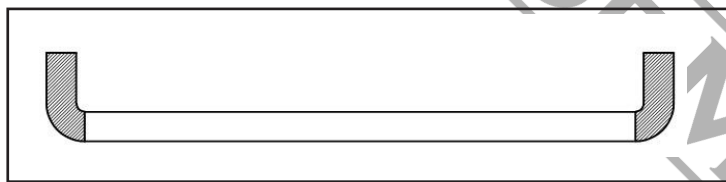
Απενεργοποιήστε την παροχή αερίου στο δοχείο αερίου μετά τη χρήση.

ια) Η ψησταριά υγραερίου πρέπει να καθαρίζεται μετά τη χρήση. Προσέξτε να μην μεγεθύνετε τις θύρες καυστήρα ή τα ανοίγματα ακροφυσίων κατά τον καθαρισμό του καυστήρα ή των βαλβίδων.

ιβ) Μην επιχειρήσετε να χρησιμοποιήσετε αυτή τη συσκευή σε γκαράζ ή σε οποιοδήποτε κλειστό χώρο. Επίσης, αυτή η συσκευή πρέπει να φυλάσσεται μακριά από εύφλεκτα υλικά κατά τη χρήση της. Συνιστούμε να διατηρείτε απόσταση τουλάχιστον 0,5 έως 1,0 μέτρον από τυχόν εύφλεκτα υλικά.

ιγ) Συνιστάται τακτικό σέρβις τουλάχιστον μία φορά το χρόνο από έναν αρμόδιο τεχνικό. Μην επιχειρήσετε να κάνετε σέρβις στην ψησταριά μόνοι σας.

ιδ) Οποιαδήποτε μετατροπή της συσκευής μπορεί να καταστεί επικίνδυνη. Μην επιχειρήσετε καμία μη εξουσιοδοτημένη παρέμβαση στους κύριους μηχανισμούς ελέγχου της ψησταριάς αυτής, π.χ. καλύμματα αερίου, εγχυτήρες, βαλβίδες και τα λοιπά.



ΠΡΟΣΟΧΗ: Η ΣΚΟΥΡΑ ΕΠΙΦΑΝΕΙΑ ΤΗΣ ΛΑΒΗΣ (δείτε την διπλανή φωτογραφία) θα γίνει καυτή όταν η ψησταριά υγραερίου τεθεί σε χρήση. Μην ακουμπάτε τις συγκεκριμένες περιοχές της λαβής.

Προφυλάξεις ασφαλείας

α. Πάντοτε να εξετάζετε τη γραμμή αερίου για διαρροές στα σημεία σύνδεσης με σαπωνώδες νερό αφού πραγματοποιήσετε τις συνδέσεις.

β. Το άνω καπάκι πρέπει πάντα να είναι ανοιχτό όταν ανάβετε την εστία.

γ. Χρησιμοποιήστε γάντια φούρνου και ανθεκτικά, επιμήκη εργαλεία χειρισμού ψησταριάς από απόσταση κατά το ψήσιμο στη σχάρα.

δ. Να είστε προετοιμασμένοι για περίπτωση ατυχήματος ή πυρκαγιάς. Να γνωρίζετε πού είναι το κουτί πρώτων βοηθειών και οι πυροσβεστήρες και να ξέρετε πώς να τα χρησιμοποιήσετε εάν χρειαστεί.

ε. Κρατήστε κάθε καλώδιο ηλεκτρικής τροφοδοσίας και το σωλήνα τροφοδοσίας καυσίμου μακριά από τυχόν θερμαινόμενες επιφάνειες.

στ. Πάντα να χειρίζεστε την ψησταριά κατά την διάρκεια του ψήσιματος με μεγάλη προσοχή.

ζ. Μην θερμαίνετε οποιοδήποτε μη ανοιγμένο γυάλινο ή μεταλλικό δοχείο φαγητού στη σχάρα καθώς η πίεση εντός του μπορεί να αυξηθεί υπέρμετρα και να προκαλέσει την έκρηξη του δοχείου, με ενδεχόμενο αποτέλεσμα έναν σοβαρό τραυματισμό ή το λιγότερο βλάβη στη σχάρα.

η. Μην στέκεστε με το πρόσωπό σας ακριβώς πάνω από την ψησταριά υγραερίου όταν την ανάβετε.

Οδηγίες Λειτουργίας

Η ψησταριά αερίου έχει την ακόλουθη μέθοδο έναυσης: Με όλα τα κομβία της ψησταριάς υγραερίου στη θέση "OFF", γυρίστε τη βαλβίδα της φιάλης υγραερίου στη θέση ενεργοποίησης "ON". Για να δημιουργήσετε σπινθήρα, πρέπει να πιέσετε το κομβίο ελέγχου (A) και να το κρατήσετε σε αυτή τη θέση για 3-5 δευτερόλεπτα ώστε να επιτρέψετε να λάβει χώρα ροή του υγραερίου και ακολούθως στρίψτε αριστερόστροφα σε ρύθμιση ισχύος "ΥΨΗΛΗ/HIGH" (B). Μπορεί να προκληθεί σπινθήρας στον σωλήνα έναυσης της εστίας (C). Θα ακούσετε έναν χαρακτηριστικό ήχο από τον αναφλεκτήρα και θα δείτε επίσης μια πορτοκαλί φλόγα να πηγάει από τον σωλήνα έναυσης της εστίας στην αριστερή πλευρά της εστίας (D). Συνεχίστε να πατάτε το κομβίο ελέγχου της εστίας προς τα κάτω / μέσα για δύο δευτερόλεπτα αφού ακούσετε τον χαρακτηριστικό ήχο, ενέργεια που θα επιτρέψει στο υγραέριο να ρεύσει εντελώς προς το κάτω μέρος του σωλήνα της εστίας (E) και συνεπώς να διασφαλιστεί η έναυση. Όταν μια εστία είναι αναμμένη, η φλόγα παρακείμενων εστιών μπορεί να αναμειχθεί με την προκύπτουσα φλόγα στην εστία αυτή εάν βρίσκονται σε ρύθμιση "ΥΨΗΛΗ/HIGH". Στην ρύθμιση "ΥΨΗΛΗ/HIGH" η φλόγα της εστίας θα πρέπει να έχει μήκος περίπου 12-20 mm με ένα ελάχιστο ύψος πορτοκαλί φλόγας. Στρίψτε το κομβίο ελέγχου υγραερίου πλήρως αριστερόστροφα για μια ρύθμιση στο ελάχιστο. Σε περίπτωση που παρουσιαστεί οποιαδήποτε δυσκολία με το άναμμα της ψησταριάς υγραερίου και εφόσον έχετε ακολουθήσει τα παραπάνω βήματα, επικοινωνήστε με τον αντιπρόσωπό σας για περαιτέρω συμβουλές.

Εάν η αυτόματη έναυση δεν μπορεί να χρησιμοποιηθεί, αφαιρέστε την ψησταριά και τον διαχύτη θερμότητας (εστία), και στρίψτε τη βαλβίδα αριστερόστροφα στους 90°C ώστε να ανάψει με το αναφλεκτήρα BBQ σε απόσταση 5 mm από την εστία καύσης. Αντικαταστήστε την ψησταριά και το διαχύτη θερμότητας (εστία) φορώντας υποχρεωτικά πυρίμαχα και ανθεκτικά στη θερμότητα γάντια.

ΠΡΟΣΟΧΗ: Εάν η εστία εξακολουθεί να μην ανάβει, στρίψτε το κομβίου ελέγχου της εστίας στην θέση " OFF" και περιμένετε 5 λεπτά προκειμένου να αφήσετε να καθαρίσει από υγραέριο πριν προσπαθήσετε εκ νέου.

Αποθήκευση

Η φιάλη αερίου πρέπει να φυλάσσεται σε καλά αεριζόμενους χώρους και πρέπει να αποσυνδέεται από την ψησταριά υγραερίου όταν δεν χρησιμοποιείται. Βεβαιωθείτε ότι βρίσκεστε σε εξωτερικό χώρο και μακριά από οποιοδήποτε πηγές ανάφλεξης πριν επιχειρήσετε να αποσυνδέσετε τη φιάλη αερίου από την ψησταριά υγραερίου. Όταν χρησιμοποιείτε την ψησταριά υγραερίου μετά από μια περίοδο αποθήκευσής της, βεβαιωθείτε ότι έχετε πραγματοποιήσει έλεγχο για διαρροές και ελέγξτε για τυχόν εμπόδια στις εστίες κ.λπ. Επίσης, ακολουθήστε τις οδηγίες καθαρισμού προκειμένου να βεβαιώνεται ότι η ψησταριά υγραερίου είναι ασφαλής. Εάν η ψησταριά υγραερίου αποθηκεύεται σε εξωτερικούς χώρους, βεβαιωθείτε ότι όλοι οι χώροι κάτω από το μπροστινό πλαίσιο είναι απαλλαγμένοι από τυχόν εμπόδια. Η περιοχή αυτή πρέπει να διατηρείται ελεύθερη, καθώς κάθε παρεμπόδιση στο σημείο αυτό μπορεί να επηρεάσει τη ροή του αέρα καύσης ή εξερισμού.

Οδηγίες καθαρισμού

Συνιστάται συντήρηση κάθε 90 μέρες για την ψησταριά υγραερίου αλλά είναι απολύτως απαραίτητο να την συντηρείτε μια φορά τον χρόνο. Συντηρώντας την ψησταριά σύμφωνα με ό,τι προβλέπεται θα αυξηθεί η διάρκεια ζωής της. Η ψησταριά μπορεί να καθαριστεί εύκολα και με ελάχιστη προσπάθεια, αρκεί να ακολουθήσετε τις τυπικές καθαρισμού.

Επίλυση αναδυόμενων προβλημάτων		
Πρόβλημα	Πιθανή αιτία	Αποτροπή / Επίλυση προβλήματος
Διαρροή υγραερίου από θραυσμένο, κομμένο, καμμένο εύκαμπτο σωλήνα.	Κατεστραμμένος εύκαμπτος σωλήνας.	Κλείστε την παροχή υγραερίου στη φιάλη εάν ο εύκαμπτος σωλήνας είναι κομμένος ή έχει υποστεί ρωγμές και αντικαταστήστε τον εύκαμπτο σωλήνα. Εξετάστε τη σύνδεση του ρυθμιστή (βαλβίδα).
Διαρροή υγραερίου από την φιάλη.	Μηχανική αστοχία λόγω κακού χειρισμού ή αδράνειας.	Κλείστε την βαλβίδα της φιάλης.
Διαρροή υγραερίου από την βαλβίδα φιάλης.	Αστοχία, κακός χειρισμός βαλβίδας φιάλης ή μηχανική αστοχία.	Κλείστε την βαλβίδα της φιάλης. Επιστρέψτε την φιάλη στον προμηθευτή.
Διαρροή υγραερίου μεταξύ της φιάλης υγραερίου και της σύνδεσης ρυθμιστή.	Κακή εγκατάσταση, χαλαρή σύνδεση, αστοχία στεγανοποιητικής διάταξης.	Κλείστε την βαλβίδα της φιάλης, αφαιρέστε τον ρυθμιστή από την φιάλη και ελέγξτε οπτικά την στεγανοποιητική διάταξη για τυχόν ζημιά.
Φωτιά εξέρχεται από τον πίνακα ελέγχου/ χειριστήριο.	Φωτιά στο τμήμα φλογοσωλήνων της ψησταριάς λόγω εν μέρει φραξίματος	Γυρίστε τα κομβία στην θέση off και στρέψτε την βαλβίδα της φιάλης στην θέση κλεισίματος. Αφού σβήσει η φωτιά και η ψησταριά κρυώσει, αφαιρέστε την εστία/τις εστίες και ελέγξτε για την ύπαρξη ιστών/φωλιάς αράχνης ή σκουριάς και λάβετε μέτρα αφαίρεσης αυτών.
Φωτιά στο γράσο ή μεγάλες φλόγες πάνω από την επιφάνεια ψησίματος.	Υπερβολική συγκέντρωση γράσου στα σημεία εστιών/εστίας.	Κλείστε την φιάλη. Αφήστε το καπάκι ανοικτό ώστε να εξασθενήσουν σταδιακά οι φλόγες και τελικά να σβήσουν. Αφού κρυώσει η συσκευή καθαρίστε από συσσωματώματα τροφής και υπέρμετρη ποσότητα γράσου από όλες τις επιφάνειες.
Η εστία δεν ανάβει με την χρήση του αναφλεκτήρα.	Μηχανικά Αίτια (σχετικά με το υγραέριο).	
	1. Προσπαθείτε να ανάψετε λάθος εστία.	1. Δείτε τις οδηγίες στον πίνακα ελέγχου (χειριστήριο).
	2. Η εστία δεν συνεργάζεται με την βαλβίδα ελέγχου.	2. Βεβαιωθείτε ότι οι βαλβίδες είναι τοποθετημένες εντός των φλογοσωλήνων.
	3. Εμπόδιο στην εστία.	3. Βεβαιωθείτε ότι οι φλογοσωλήνες δεν εμποδίζονται από ιστούς αράχνης ή άλλο τυχόν εμπόδιο.
	4. Δεν υπάρχει ροή υγραερίου.	4. Βεβαιωθείτε ότι η φιάλη υγραερίου δεν έχει αδειάσει. Εάν η φιάλη υγραερίου δεν είναι άδεια, εξετάστε για ξαφνική πτώση πίεσης στην ροή του υγραερίου.
Η εστία δεν ανάβει με την χρήση αναφλεκτήρα.	Ηλεκτρικά Αίτια	
	1. Σπασμένο ηλεκτρόδιο, ρωγμή στο ηλεκτρόδιο, σπινθήρες στο σημείο θραύσης. 2. Το άκρο ηλεκτροδίου δεν είναι τοποθετημένο στην κατάλληλη θέση. 3. Καλώδιο ή/και ηλεκτρόδιο καλυμμένο με υπολείμματα μαγειρικής. 4. Τα καλώδια έχουν χαλαρή σύνδεση ή είναι αποσυνδεδεμένα. 5. Το καλώδιο βραχυκυκλώνεται (σπινθηρίζει) μεταξύ του αναφλεκτήρα και του ηλεκτροδίου. 6. Το κομβίο πίεσης κολλάει στην κάτω θέση δημιουργώντας σπινθήρα μεταξύ αναφλεκτήρα και ηλεκτροδίου.	1. Αντικαταστήστε το ηλεκτρόδιο. 2. Το άκρο του ηλεκτροδίου θα πρέπει να κατευθύνεται προς την οπή θύρας στην εστία. Η απόσταση θα πρέπει να είναι 1/8" to 3/16". 3. Καθαρίστε το καλώδιο ή το ηλεκτρόδιο με οινόπνευμα και καθαρό πανάκι. 4. Επανασυνδέστε τα καλώδια ή αντικαταστήστε το συγκρότημα ηλεκτροδίου/καλωδίου. 5. Αντικαταστήστε το καλώδιο αναφλεκτήρα. 6. Αντικαταστήστε τον αναφλεκτήρα και επιθεωρήστε την μόνωση του καλωδίου τις συνδέσεις. Αντικαταστήστε τα καλώδια εάν έχει φθαρεί η μόνωση.

Η εστία δεν ανάβει.	1. Δείτε τα ζητήματα περί υγραερίου στην προηγούμενη σελίδα. 2. Ακατάλληλη μέθοδος έναυσης.	1. Δείτε στο κεφάλαιο χρήσης και φροντίδα το αντίστοιχο εδάφιο "Έλεγχος έναυσης υγραερίου".
Ξαφνική πτώση της ροής υγραερίου ή χαμηλή φλόγα.	1. Υψηλή συγκέντρωση γράσου/λιπαντικού. 2. Υπερβολική ποσότητα λίπους στο κρέας. 3. Υπερβολική θερμοκρασία ψησίματος.	1. Καθαρίστε τις εστίες και το εσωτερικό της ψησταριάς. 2. Περιορίστε το λίπος του κρέατος πριν το ψήσιμο. 3. Μειώστε την θερμοκρασία ψησίματος.
Οι φλόγες ξεφεύγουν από τα συνήθη όρια τους.	1. Δυνατός άνεμος. 2. Χαμηλώστε την παροχή υγραερίου. 3. Απελευθέρωση βαλβίδας έγχυσης περισσειας ροής.	1. Γυρίστε την ψησταριά προς τον άνεμο ή αυξήστε το ύψος φλόγας. 2. Γεμίστε ξανά την φιάλη υγραερίου. 3. Δείτε την ως άνω περίπτωση "απότομη πτώση ροής υγραερίου".
Επίμονη φωτιά λόγω λίπους.	Λίπος έχει παγιδευτεί λόγω υπερσυγκέντρωσης τροφής περί του συστήματος καύσης.	Γυρίστε τα κομβία στην θέση OFF. Κλείστε την παροχή υγραερίου στην φιάλη. Αφήστε το καπάκι στην θέση του αφήστε την φωτιά να σβήσει μόνη της. Όταν κρυώσει η ψησταριά, αφαιρέστε το λίπος και καθαρίστε τα αντίστοιχα τμήματα όπως απαιτείται.
Αναστροφή φλόγας / Φωτιά στους φλογοσωλήνες.	Η εστία και οι φλογοσωλήνες έχουν μπλοκάρει.	Γυρίστε τα κομβία στην θέση OFF, καθαρίστε την εστία και/ή του φλογοσωλήνες. Δείτε επιπροσθέτως το σχετικό εδάφιο περί καθαρισμού.

Εάν το όποιο τυχόν αναδυόμενο τεχνικό πρόβλημα δεν επιλυθεί με τη συνδρομή των ως άνω πληροφοριών, επικοινωνήστε με τον τοπικό προμηθευτή/ αρμόδιο τεχνικό αντιπρόσωπο.

α. Ενεργοποιήστε την/τις εστίες για 15 έως 20 λεπτά. Βεβαιωθείτε ότι η συσκευή δεν καίει υπερβολικά πριν συνεχίσετε.

β. Οι σχάρες πρέπει να καθαρίζονται περιοδικά με εμβάπτιση και πλύσιμο σε σαπουνόνερο.

γ. Οι εσωτερικές επιφάνειες του καλύμματος της ψησταριάς πρέπει επίσης να πλένονται με ζεστό σαπουνόνερο. Χρησιμοποιήστε συρματόβουρτσα, ασαλόσυρμα ή σφουγγάρι λείανσης προκειμένου να αφαιρέσετε τα σημεία με επίμονες ακαθαρσίες.

δ. Ελέγχετε περιοδικά την εστία προκειμένου να διασφαλίσετε ότι δεν υπάρχουν έντομα ή αράχνες τα οποία μπορεί να φράξουν το σύστημα υγραερίου, εκτρέποντας τη ροή του υγραερίου. Βεβαιωθείτε ότι έχετε καθαρίσει τους σωλήνες venturi στην εστία ιδιαίτερώς προσεκτικά και διασφαλίστε ότι δεν υπάρχουν εμπόδια. Σας συνιστούμε να χρησιμοποιήσετε ένα εργαλείο καθαρισμού σωλήνων προκειμένου να καθαρίσετε τους σωλήνες venturi.

ε. Οποιοσδήποτε μετατροπές της συσκευής αυτής μπορεί ενδεχομένως να καταστούν επικίνδυνες και δεν επιτρέπονται σε καμία περίπτωση.

Συμβουλές ασφάλειας για την ψησταριά υγραερίου

Τοποθετήστε την ψησταριά υγραερίου σε μια ασφαλή επίπεδη επιφάνεια, μακριά από εύφλεκτα στοιχεία, όπως ξύλινοι φράκτες ή προεξέχοντα κλαδιά δέντρων. Μην χρησιμοποιείτε ποτέ την ψησταριά υγραερίου σε εσωτερικό χώρο. Μόλις ανάψει η ψησταριά μην την μετακινείτε και μην την αφήνετε χωρίς στοιχειώδη επίβλεψη. Κρατήστε τα παιδιά και τα κατοικίδια ζώα σε ασφαλή απόσταση από την ψησταριά υγραερίου. Να έχετε έναν πυροσβεστήρα σε ετοιμότητα. Η ψησταριά υγραερίου γίνεται καυτή όταν χρησιμοποιείται, συνεπώς να χειρίζεστε τα καπάκια με την συνδρομή γαντιών. Βεβαιωθείτε ότι η ψησταριά υγραερίου έχει κρυώσει εντελώς πριν την αποθηκεύσετε. Χρήση προβλέπεται μόνο σε εξωτερικούς χώρους! Διαβάστε τις οδηγίες πριν χρησιμοποιήσετε την ψησταριά υγραερίου. Συγκεκριμένα τμήματα της ψησταριάς υγραερίου μπορεί να καταστούν ιδιαίτερώς καυτά. Κρατήστε τα μικρά παιδιά μακριά! Μην μετακινείτε τη ψησταριά υγραερίου κατά τη χρήση. Απενεργοποιήστε την παροχή υγραερίου στη φιάλη μετά τη χρήση. Οποιαδήποτε μετατροπή της συσκευής μπορεί να είναι επικίνδυνη και ως εκ τούτου δεν επιτρέπεται. Συντήρηση/Service: να επισκέπτεσθε τον τοπικό προμηθευτή προκειμένου για εργασίες συντήρησης/service.

AVERTISSEMENT
AVIS IMPORTANT

1. Pour un fonctionnement sûr et correct, n'utilisez que des bouteilles de GPL destinées à un usage domestique et équipées d'une soupape de sécurité. Vous devez également raccorder le détendeur basse pression 30mbar (non réglable) à la soupape de la bouteille et au tuyau spécial pour les appareils GPL en veillant à ce qu'il n'y ait pas de fuite ou de dommage sur le circuit.
2. Le filetage du régulateur de pression est dans le sens inverse des aiguilles d'une montre.
3. Ne laissez jamais et en aucun cas le gril sans surveillance.
4. Si de nombreuses flammes se forment et ne s'éteignent pas d'elles-mêmes, fermez la bouteille de gaz. Si vous laissez le feu brûler, il est possible que la peinture du gril prenne feu. Avant chaque chauffe, vous devez nettoyer le collecteur de graisse, les dissipateurs de chaleur (dompteurs de flammes) et le reste du gril des graisses, car elles peuvent s'enflammer et détruire le gril.
5. Les dissipateurs de chaleur (dompteurs de flammes) doivent être nettoyés après chaque utilisation, de même que le bac de récupération des graisses en le plongeant dans de l'eau chaude additionnée de liquide vaisselle. Ne pas gratter les surfaces sur lesquelles des graisses ont été collées, car leur peinture se décompose.
6. En cas de création importante de flammes causées par des graisses dans les dissipateurs de chaleur (tubes à flammes), une détérioration du colorant porcelaine peut se produire.
7. Si le modèle que vous avez acheté est équipé de grilles en fonte, ne versez pas d'eau froide lorsqu'il est encore chaud, car il pourrait se briser.
8. Ne pas utiliser de liquides caustiques ou de sprays de nettoyage.
9. Lisez attentivement les instructions!
10. Tout dommage causé par le non-respect de ce qui précède ou le non-respect du nettoyage régulier nécessaire ne sera pas couvert par la garantie.

ATTENZIONE
AVVISO IMPORTANTE

1. Per un funzionamento sicuro e corretto, utilizzare solo bombole di GPL per uso domestico dotate di valvola di sicurezza. Inoltre, è necessario collegare il regolatore di bassa pressione 30mbar (non regolabile) con la valvola della bombola e il tubo speciale per apparecchi a GPL, facendo attenzione che non si verifichino perdite o danni al circuito.
2. Le filettature del regolatore di pressione sono in senso antiorario.
3. Non lasciare mai e in nessun caso la griglia incustodita.
4. Se si formano molte fiamme che non si spengono da sole, chiudere la bombola del gas. Se si lascia bruciare il fuoco, è possibile che la vernice della griglia si bruci. Prima di ogni riscaldamento è necessario pulire il raccoglitore di grasso, i dissipatori di calore (domatori di fiamma) e il resto della griglia dai grassi, poiché possono incendiarsi e distruggere la griglia.
5. I dissipatori di calore (domatori di fiamme) devono essere puliti dopo ogni utilizzo, così come la vaschetta di raccolta del grasso, immergendola in acqua calda con detersivo per piatti. Non raschiare le superfici su cui sono stati incollati i grassi perché la loro vernice si rompe.
6. In caso di creazione di fiamme estese causate da grassi nei dissipatori di calore (tubi di fiamma), potrebbe verificarsi un deterioramento della tintura porcellanata.
7. Se il modello acquistato è dotato di griglie smontate, non versare acqua fredda quando sono ancora calde, perché potrebbero rompersi.
8. Non utilizzare liquidi caustici o spray detergenti.
9. Leggere attentamente le istruzioni!
10. Eventuali danni causati dall'inosservanza di quanto sopra o dal mancato rispetto della necessaria pulizia periodica non saranno coperti dalla garanzia.

Consignes de sécurité

Conservez ce manuel d'instructions pour pouvoir vous y référer ultérieurement!

CE GRIL A GAZ EST CONÇU POUR ÊTRE UTILISÉ À L'EXTÉRIEUR UNIQUEMENT!

AVERTISSEMENT: POUR UN FONCTIONNEMENT SÛR ET CORRECT, VEILLEZ À CONNECTER UN RÉGULATEUR DE PRESSION UNIDIRECTIONNEL (NON INCLUS).

Important:

LIRE TOUTES LES INSTRUCTIONS ET OPÉRATIONS AVANT D'UTILISER CET APPAREIL. SUIVRE TOUTES LES ÉTAPES DANS L'ORDRE. NE JAMAIS LAISSER LES ENFANTS UTILISER CET APPAREIL.

Avertissements:

A utiliser uniquement à l'extérieur.

Lisez les instructions avant d'utiliser l'appareil. Les parties accessibles peuvent être très chaudes, tenez les jeunes enfants à l'écart. Ne déplacez pas l'appareil pendant son utilisation.

Coupez l'alimentation en gaz au niveau de la bouteille de gaz après utilisation. Toute modification de l'appareil peut être dangereuse.

Les pièces scellées par le fabricant ou son agent ne doivent pas être modifiées par l'utilisateur. Ne pas modifier l'appareil.

Attention:

Certaines parties de l'appareil deviennent très chaudes, faites particulièrement attention en présence d'enfants ou de personnes âgées.

Pour votre sécurité:

Ne stockez pas et n'utilisez pas d'essence, de carburants méthylés ou d'autres vapeurs et liquides inflammables à proximité de cet appareil ou de tout autre appareil. N'allumez jamais un gril à gaz avec de l'essence ou des liquides comparables!

Suggestion: l'utilisateur ne doit pas modifier l'assemblage fourni par le fabricant.

Certains revendeurs de gaz liquide peuvent remplir les bouteilles de gaz liquide destinées au gril au-delà de la capacité de remplissage de la bouteille. Ce "sur-remplissage" peut créer une situation dangereuse. "Le remplissage excessif des réservoirs peut entraîner une surpression. Par mesure de sécurité, la soupape de sûreté du réservoir évacue les vapeurs de gaz afin de réduire cette pression excessive. Ces vapeurs sont combustibles et peuvent donc s'enflammer. Pour réduire ce danger, vous devez prendre les mesures de sécurité suivantes:

A. Lorsque vous faites remplir votre réservoir, veillez à demander au fournisseur de ne pas dépasser 80 % de sa capacité totale.

B. Si vous possédez ou utilisez un réservoir de réserve supplémentaire, ou si vous avez un réservoir déconnecté, vous ne devez jamais l'entreposer à proximité ou sous le gril ou la boîte à chaleur, ou près de toute autre source d'allumage ou de chaleur.

Dangers:

Si vous sentez une odeur de gaz:

1. Couper le gaz de l'appareil
2. Éteindre toute flamme nue
3. Ouvrir le couvercle
4. Si l'odeur persiste, éloignez l'appareil et appelez les pompiers

Données techniques				
	BBQ4100	BBQ3100	BBQ3000	BBQ2000
Caractéristiques de base	Gril à gaz 4 +1 brûleurs	Gril à gaz 3+1 brûleurs	Gril à gaz 3 brûleurs (sans brûleur latéral)	Gril à gaz 2 brûleurs (sans brûleur latéral)
Dimensions	L129xL57xH110 cm	L122xL57xH110 cm	L120xL57xH102 cm	L106xL57xH102 cm
Surface du gril	L69x L45 cm	L60xL45 cm	L60xL45 cm	L45xL45 cm
Grille	Fonte avec revêtement émaillé			Fonte
Brûleur et alimentation	Brûleurs tubulaires en acier inoxydable, 3,6 kW par brûleur, 2,7 kW par brûleur latéral, total 17,1 kW	Brûleurs tubulaires en acier inoxydable, 3,6 kW par brûleur, 2,7 kW par brûleur latéral, total 13,5 kW	Brûleurs tubulaires en acier inoxydable, 3,6 kW par brûleur, Total 10,8 kW	Brûleurs tubulaires en acier inoxydable, 3,6 kW par brûleur, total 7,2 kW
Caractéristiques spécifiques	2 étagères latérales métalliques, avec roulettes, thermomètre INOX, interrupteurs d'auto-inflammation, collecteur de graisse amovible, panneau de recouvrement de l'étagère avant métallique (BBQ3000), 2 portes avant métalliques (BBQ3100, BBQ4100)			
Régulateur et tuyau	non inclus			

Remarque: -SB signifie avec brûleur latéral ; permet de placer une casserole sur le brûleur latéral. (Le diamètre de la casserole est de 24 cm au maximum et de 8 cm au minimum).

Etapes de montage

Assurez-vous que votre gril est correctement assemblé. Chaque gril est accompagné d'une notice d'assemblage détaillée indiquant les procédures d'assemblage spécifiques à chaque modèle. Suivez attentivement ces instructions pour garantir un montage correct et sûr du gril.

Attention: Bien que nous fassions tout notre possible pour que le processus d'assemblage soit aussi simple que possible, il est inhérent aux pièces fabriquées en acier que les coins et les arêtes peuvent provoquer des coupures s'ils sont manipulés de manière incorrecte pendant les procédures d'assemblage. Soyez prudent lorsque vous manipulez les pièces pendant l'assemblage. Il est fortement recommandé de se protéger les mains avec une paire de gants de travail.

Préparation

Vous aurez besoin d'une bouteille de gaz GPL et de régulateurs appropriés sous la pression du gaz pour faire fonctionner ce gril à gaz. Les détendeurs doivent être conformes à la norme EN16129 dans sa version actuelle et à la réglementation nationale.

Voir le point 6 pour des instructions plus détaillées.

Conseils pour économiser l'énergie:

- Réduire le temps d'ouverture du couvercle.
- Éteignez le gril dès que la cuisson est terminée.
- Préchauffer le gril à gaz pendant 10 à 15 minutes seulement. (sauf pour la première utilisation)
- Ne pas préchauffer plus longtemps que recommandé.
- Ne pas utiliser un réglage plus élevé que nécessaire.
- Raccordez le tuyau et le régulateur au réservoir de gaz situé sur le côté gauche du gril à gaz. Gardez à l'esprit que le réservoir de gaz doit être maintenu à l'écart de la chaleur et dans une position sûre. Le tuyau a un diamètre de 8 à 10 mm. La longueur de tuyau recommandée ne doit pas dépasser 1,5 m. Le tuyau flexible doit être conforme aux normes en vigueur et au code local.

Installation

Après avoir acheté votre bouteille de gaz, vous serez prêt à l'installer sur votre gril à gaz.

- Le remplacement de la bouteille de gaz doit être effectué à l'écart de toute source d'inflammation. Placez la bouteille de gaz sur le côté gauche de votre gril à gaz, elle ne doit pas être placée à l'intérieur du barbecue, en gardant à l'esprit que la bouteille doit être maintenue à l'écart de la chaleur et dans une position sûre.
- Lorsque vous êtes prêt à utiliser votre gril à gaz, insérez le régulateur dans le robinet de la bouteille de gaz et serrez-le fermement.

Avertissement: Avant d'essayer d'allumer votre gril à gaz, vous devez vous référer aux instructions d'allumage et aux points d'avertissement et de sécurité.

Avant chaque utilisation, vérifiez que le tuyau ne présente pas de fissures, de coupures ou d'abrasions. Si le tuyau est défectueux de quelque manière que ce soit, n'essayez pas d'utiliser votre gril à gaz. Lorsque vous changez votre bouteille de gaz, assurez-vous qu'il n'y a pas de sources d'inflammation à proximité (feux, cigarettes, flammes nues, etc.). Assurez-vous que l'appareil est éteint.

Veillez à ce que le tuyau ne soit pas soumis à des torsions qui affecteraient le débit de gaz lors de l'installation de votre gril à gaz. Le tuyau ne doit pas non plus être soumis à une tension excessive et ne doit pas toucher une partie du gril à gaz qui pourrait être chaude.

- Veuillez choisir un tuyau flexible dont la résistance à la chaleur est supérieure à 80°C.
- Le tube flexible doit être remplacé tous les deux ans. Il est nécessaire de changer le tube flexible lorsque les conditions nationales l'exigent.

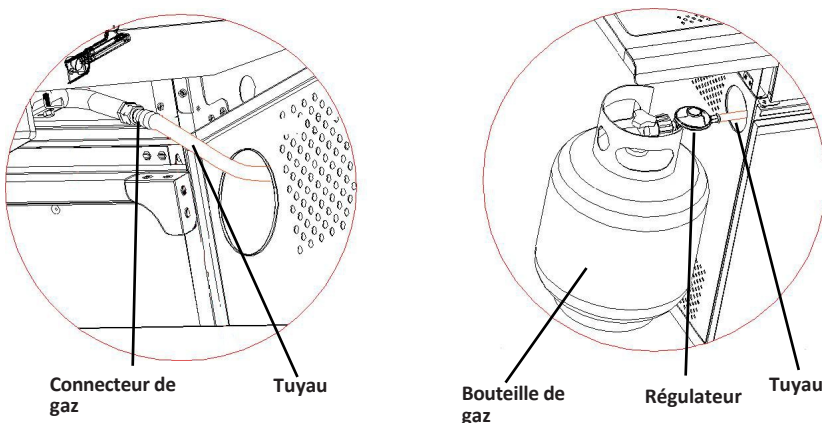
Comment changer de cylindre

Remarque: éteindre l'interrupteur du cylindre (aucune clé n'est nécessaire).

La hauteur de la bouteille de gaz est inférieure à 80 cm et sa largeur est inférieure à 35 cm.

Comment raccorder une bouteille de gaz

- Tournez le capuchon orange de manière à ce que la flèche soit orientée vers l'interstice de l'enveloppe.
- Retirez le capuchon de sécurité orange en tirant sur la lanière, puis sur le capuchon. Ne pas utiliser d'outils. Laisser le capuchon suspendu.
- Vérifier que la rondelle d'étanchéité noire est montée à l'intérieur du robinet de la bouteille. Raccorder le détendeur au robinet.
- Tournez l'interrupteur de la bouteille de gaz dans le sens des aiguilles d'une montre, puis allumez le gril à gaz comme indiqué.



*Pour le produit sans compartiment de bouteille de gaz uniquement.

Avertissement: Toujours vérifier l'étanchéité de la conduite de gaz au niveau du raccord avec de l'eau savonneuse en terminant tous les raccordements.

Comment déconnecter une bouteille de gaz

- Sauf pour les installations bicylindres équipées d'une vanne d'inversion, fermez le robinet de gaz si l'appareil en est équipé. Attendez que le brûleur et la veilleuse se soient éteints. Pour les installations dotées d'un robinet inverseur, il suffit de fermer la bouteille vide.
- Replacer le bouchon de sécurité orange sur la bouteille vide.

Avertissements et points de sécurité

Veuillez lire les points suivants avant d'utiliser votre gril à gaz:

- Lisez les instructions avant d'utiliser l'appareil. Le non-respect des instructions peut entraîner des problèmes d'utilisation.
- Les parties accessibles de ce gril à gaz peuvent être très chaudes lors de son utilisation. Tenez les jeunes enfants à l'écart. Utilisez des protections lorsque vous manipulez des composants particulièrement chauds.
- En cas de fuite de gaz, coupez l'alimentation en gaz au niveau de la bouteille de gaz, éteignez toute flamme nue, ouvrez le couvercle et si la fuite persiste, vérifiez qu'il n'y a pas de dommages, de mauvais raccordements, etc. Contactez immédiatement votre revendeur de gaz local si le problème ne peut être résolu.
- Ne pas déplacer le gril à gaz pendant son utilisation.
- Ne pas utiliser ni stocker de liquides, de vapeurs ou d'autres matériaux à proximité du gril à gaz.
- Ce gril à gaz ne peut être utilisé qu'à l'extérieur.
- Ne pas utiliser de flamme nue pour vérifier les fuites de gaz.
- Ne pas utiliser le gril à gaz en cas de fuite de gaz. Coupez l'alimentation en gaz.
- N'essayez pas de débrancher une pièce du raccord de gaz si votre gril à gaz est en cours d'utilisation, sur le gril à gaz ou le régulateur de gaz / la bouteille de gaz.
- La prudence est de mise lors de l'utilisation de votre gril à gaz, vous ne devez jamais le laisser sans surveillance lorsqu'il est utilisé. Coupez l'alimentation en gaz au niveau du réservoir après utilisation.
- Le gril à gaz doit être nettoyé après utilisation. N'obstruez pas l'ouverture du feu dans le compartiment du conteneur. Si l'ouverture du feu est obstruée, utilisez un bâton rond de Φ 1,6 mm pour draguer.

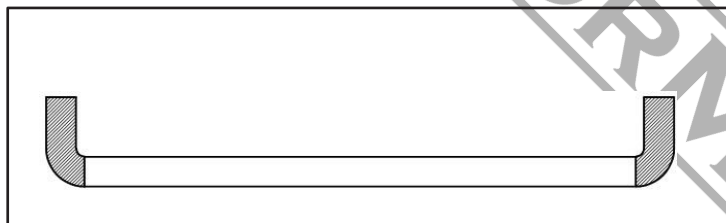
Veillez à ne pas agrandir les orifices du brûleur ou les ouvertures des orifices/buses lorsque vous nettoyez le brûleur ou les vannes.

l) N'essayez pas d'utiliser cet appareil dans un garage ou tout autre endroit fermé. Cet appareil doit également être tenu à l'écart des matériaux inflammables pendant son utilisation, etc. Nous recommandons de maintenir une distance d'au moins 0,5 à 1,0 mètre entre l'appareil et les matériaux inflammables.

nous recommandons que ce gril à gaz soit entretenu au moins une fois par an par un technicien compétent dans un point de vente de gaz local.

N'essayez pas de réparer cet appareil vous-même.

n) Toute modification de l'appareil peut être dangereuse. N'essayez pas d'intervenir sans autorisation sur les commandes principales de ce gril à gaz, c'est-à-dire les robinets de gaz, les injecteurs, les vannes, etc.



AVERTISSEMENT: La zone noire de la poignée (voir l'image ci-dessus pour référence).

Le gril à gaz devient chaud lorsqu'il est utilisé, soyez prudent! Ne touchez pas la zone noire.

Précautions de sécurité

- Toujours tester l'étanchéité de la conduite de gaz au niveau du connecteur avec de l'eau savonneuse après avoir effectué les raccordements.
- Le couvercle supérieur doit toujours être ouvert lors de l'allumage du brûleur.
- Utilisez des gants de cuisine et des ustensiles robustes et à long manche pour les grillades au gaz lorsque vous cuisinez sur le gril.
- Soyez prêt en cas d'accident ou d'incendie. Sachez où se trouvent la trousse de premiers secours et les extincteurs et sachez comment les utiliser.
- Maintenez le cordon d'alimentation électrique et le tuyau d'alimentation en carburant à l'écart de toute surface chauffée.
- Cuisiner toujours avec le plus grand soin.
- Ne faites pas chauffer un récipient en verre ou en métal non ouvert sur le gril. La pression pourrait s'accumuler et faire éclater le récipient, ce qui pourrait entraîner des blessures graves ou endommager le gril.

Mode d'emploi

Attention: Le couvercle doit être ouvert lors de l'allumage du brûleur!

Ne vous tenez pas directement au-dessus du gril à gaz lorsque vous l'allumez.

Votre gril à gaz est équipé de la méthode d'allumage suivante:

Allumage de la veilleuse (brûleur principal ou brûleur principal avec brûleur latéral): Lorsque toutes les commandes de gaz du gril à gaz sont en position "OFF", tournez le robinet de la bouteille de gaz en position "ON" au niveau du régulateur. Pour créer une étincelle, vous devez appuyer sur le bouton de commande (A) et le maintenir dans cette position pendant 3 à 5 secondes pour permettre au gaz de s'écouler, puis le tourner dans le sens inverse des aiguilles d'une montre jusqu'à la position "HIGH" (B). Une étincelle peut jaillir du tube d'allumage du brûleur (C). Vous entendrez un "clac" de l'allumeur et vous verrez également une flamme orange sortir du tube d'éclairage du brûleur sur le côté gauche du brûleur (D).

Maintenez le bouton de commande du brûleur enfoncé pendant deux secondes après le "clac", ce qui permet au gaz de s'écouler complètement dans le tube du brûleur (E) et d'assurer l'allumage.

Lorsque le brûleur est allumé, les brûleurs adjacents s'allument de manière croisée lorsque leurs commandes sont placées sur "HIGH".

Au réglage "High", la flamme du brûleur doit être d'une longueur d'environ 12 à 20 mm, avec une flamme orange au minimum. Tournez le bouton de réglage du gaz à fond dans le sens inverse des aiguilles d'une montre pour obtenir le réglage minimum.

Si vous avez des difficultés à allumer votre gril à gaz en suivant les étapes ci-dessus, contactez votre revendeur pour obtenir des conseils.

Si l'allumage automatique ne peut pas être utilisé, retirez la grille de cuisson et le diffuseur de chaleur (plaque chauffante), et tournez le robinet dans le sens inverse des aiguilles d'une montre jusqu'à 90°C pour allumer avec un briquet BBQ à une distance de 5 mm de l'orifice d'allumage du brûleur. Remettez la grille de cuisson et le diffuseur de chaleur (plaque chauffante) en place, en portant des gants ignifuges et résistants à la chaleur.

Avertissement: Si le brûleur ne s'allume toujours pas, tournez le bouton de commande du brûleur sur "OFF" et attendez 5 minutes pour laisser le gaz s'échapper avant de rallumer.

Stockage

Votre bouteille de gaz doit être stockée à l'extérieur, dans un endroit bien ventilé, et doit être débranchée de votre barbecue à gaz lorsqu'elle n'est pas utilisée. Assurez-vous d'être à l'extérieur et à l'écart de toute source d'inflammation avant d'essayer de débrancher la bouteille de gaz de votre gril à gaz. Lorsque vous utilisez votre gril à gaz après une période de stockage, vérifiez qu'il n'y a pas de fuite de gaz et que le brûleur n'est pas obstrué avant de l'utiliser. Suivez également les instructions de nettoyage pour vous assurer que le gril à gaz est sûr.

Si le gril à gaz est entreposé à l'extérieur, vérifiez que toutes les zones situées sous le panneau avant sont libres de toute obstruction (insectes, etc.). Cette zone doit être maintenue libre car elle peut affecter le flux d'air de combustion ou de ventilation.

Instructions de nettoyage

Il est recommandé d'effectuer l'entretien de votre gril à gaz tous les 90 jours, mais il est absolument nécessaire de le faire au moins une fois par an. Vous prolongerez ainsi la durée de vie de votre gril à gaz.

Votre gril à gaz est facile à nettoyer avec un minimum d'effort. Il vous suffit de suivre ces conseils utiles pour faciliter le nettoyage.

Dépannage		
Urgences	Cause possible	Prévention/ solution
Fuite de gaz à partir d'un tuyau fissuré, coupé ou brûlé.	Tuyau endommagé.	Coupez le gaz au niveau du réservoir de GPL, si les tuyaux sont coupés ou fissurés, remplacez-les. Voir le test de plombage du réservoir de GPL et le raccordement du régulateur au GPL.
Fuite de gaz au niveau de la valve du réservoir de GPL.	Défaillance mécanique due au repos ou à une mauvaise manipulation.	Fermez le robinet du réservoir de GPL.
Fuite de gaz au niveau de la valve du réservoir de GPL.	Défaillance de la soupape du réservoir due à une mauvaise manipulation ou à une défaillance mécanique	Fermez le robinet du réservoir de GPL. Renvoyer le réservoir de GPL au fournisseur de gaz
Fuite de gaz entre le réservoir de GPL et le raccord du régulateur	Mauvaise installation, connexion non étanche, défaillance du joint en caoutchouc	Fermez le robinet du réservoir de GPL, retirez le détendeur de la bouteille et vérifiez visuellement que le joint en caoutchouc n'est pas endommagé (voir le test du réservoir de GPL) et raccordez le détendeur au réservoir de GPL.
Feu à travers le panneau de contrôle	Incendie dans la section du tube du brûleur en raison d'une obstruction partielle	Fermez les boutons de commande et le robinet du réservoir de GPL. Une fois le feu éteint et le gril refroidi, retirez le brûleur et vérifiez qu'il n'y a pas de nids d'araignées ou de rouille (voir les pages sur les risques naturels et le nettoyage du brûleur).
Feu de graisse ou flammes excessives au-dessus de la surface de cuisson	Trop d'accumulation de graisse dans la zone du brûleur.	Fermez le réservoir de GPL. Laissez le couvercle ouvert pour permettre aux flammes de s'éteindre. Après refroidissement, nettoyez les particules d'aliments et l'excès de graisse à l'intérieur de la chambre de combustion, dans le bac à graisse et sur les autres surfaces.
Le brûleur ne s'allume pas avec l'allumeur.	Problèmes liés au gaz	
	1. Essai d'allumage du mauvais brûleur	1. Voir les instructions sur le panneau de contrôle et la section dans le Utilisation et entretien.
	2. Le brûleur n'est pas engagé dans la vanne de contrôle	2. S'assurer que les soupapes sont positionnées à l'intérieur des tubes du brûleur.
	3. Obstruction du brûleur.	3. S'assurer que les tubes du brûleur ne sont pas obstrués par des toiles d'araignée ou autres.
	4. Pas de débit de gaz	4. Assurez-vous que le réservoir de GPL n'est pas vide. Si le réservoir de GPL n'est pas vide, reportez-vous à la chute soudaine du débit de gaz.
Le brûleur ne s'allume pas avec l'allumeur.	Problèmes électriques	

	<ol style="list-style-type: none"> 1. Electrode fissurée ou cassée ;" étincelles au niveau de la fissure". 2. La pointe de l'électrode n'est pas dans la bonne position 3. Fil et/ou électrode recouverts par la cuisson résidu. 4. Les fils sont lâches ou déconnectés 5. Les fils sont en court-circuit (formation d'étincelles) entre l'allumeur et l'appareil. et l'électrode. 6. Le bouton-poussoir se bloque en bas et provoque des étincelles entre l'allumeur et l'électrode. 	<ol style="list-style-type: none"> 1. Remplacer l'électrode. 2. La pointe de l'électrode doit être orientée vers l'orifice du brûleur. La distance doit être de 1/8" à 3/16". Ajuster si nécessaire. 3. Nettoyer le fil et/ou l'électrode avec de l'alcool à friction et un tampon propre. 4. Reconnecter les fils ou remplacer l'ensemble électrode/fil. 5. Remplacer le fil de l'allumeur 6. Remplacer l'allumeur 7. Vérifier l'isolation des fils et leur bonne connexion. Remplacer les fils si l'isolation est rompue.
Le brûleur ne s'allume pas	<ol style="list-style-type: none"> 1. Voir "Questions relatives au gaz" à la page précédente. 2. Méthode inappropriée d'allumage des allumettes 	<ol style="list-style-type: none"> 1. Voir la section "Allumage de la commande du gaz de la veilleuse" dans le mode d'emploi et le mode d'emploi de l'appareil. soins.
Baisse soudaine du débit de gaz ou flamme faible	<ol style="list-style-type: none"> 1. Accumulation de graisse. 2. Excès de graisse dans la viande. 3. Température de cuisson excessive 	<ol style="list-style-type: none"> 1. Nettoyer les brûleurs et l'intérieur du gril / foyer 2. Enlever la graisse de la viande avant de la faire griller. 3. Ajuster (abaisser) la température
Les flammes font la fête	Vents forts ou rafales. Manque de gaz de pétrole liquéfié. La vanne de débit excessif s'est déclenchée.	<p>Tourner l'avant du gril pour faire face au vent ou augmenter la hauteur des flammes.</p> <p>Remplir le réservoir de GPL.</p> <p>Se reporter à la section "chute brutale du débit de gaz" ci-dessus.</p>
Feu de graisse persistant	Graisse piégée par l'accumulation d'aliments autour du système de brûleur.	<p>Tournez les boutons sur OFF. Coupez le gaz au niveau du réservoir de GPL. Laissez le couvercle en place et laissez le feu s'éteindre. Une fois le gril refroidi, retirez et nettoyez toutes les pièces.</p>
Retour de flamme (feu dans le(s) tube(s) du brûleur)	Le brûleur et les tubes du brûleur sont bloqués	<p>Tournez les boutons sur OFF, nettoyez le brûleur et/ou les tubes du brûleur. Voir la section relative au nettoyage du brûleur dans le manuel d'utilisation et d'entretien.</p>
Flare-up	<ol style="list-style-type: none"> 1. Accumulation de graisse. 2. Excès de graisse dans la viande. 3. Température de cuisson excessive 	<ol style="list-style-type: none"> 1. Nettoyer les brûleurs et l'intérieur du gril / foyer 2. Enlever la graisse de la viande avant de la faire griller. 3. Ajuster (abaisser) la température
Impossible de remplir le réservoir de GPL	Certains concessionnaires ont des buses de remplissage plus anciennes avec des fils.	<p>Les buses usées n'ont pas assez de mordant pour engager la valve. Essayez un autre distributeur LP.</p>
Un brûleur ne s'allume pas à partir d'un autre brûleur.	Accumulation de graisse ou de particules alimentaires à l'extrémité du tube de transfert	<p>Nettoyer le tube de transfert à l'aide d'une brosse métallique</p>

Si les informations ci-dessus ne permettent pas de résoudre votre problème, veuillez contacter votre revendeur de gaz local.

- Allumez le brûleur pendant 15 à 20 minutes. S'assurer que l'appareil est froid avant de continuer.
- Les grilles doivent être nettoyées périodiquement par trempage et lavage à l'eau savonneuse.
- Les surfaces intérieures du couvercle du gril doivent également être lavées à l'eau chaude savonneuse. Utilisez une brosse métallique, de la laine d'acier ou un tampon à récurer pour éliminer les taches tenaces.
- Vérifiez régulièrement que le brûleur est exempt d'insectes et d'araignées qui pourraient obstruer le système de gaz et en dévier le flux. Veillez à nettoyer très soigneusement les tuyaux venturi du brûleur et assurez-vous qu'il n'y a pas d'obstructions. Nous vous recommandons d'utiliser un cure-pipe pour nettoyer la zone du tuyau venturi.
- Toute modification de cet appareil peut être dangereuse et n'est pas autorisée.

Conseils de sécurité pour les grils à gaz

Placez votre gril à gaz sur une surface plane et sûre, à l'écart d'éléments inflammables tels que des clôtures en bois ou des branches d'arbre en surplomb. N'utilisez jamais votre barbecue à gaz à l'intérieur!

Une fois allumé, ne déplacez pas votre gril à gaz et ne le laissez pas sans surveillance. Maintenez les enfants et les animaux domestiques à une distance suffisante du gril à gaz.

Gardez un extincteur à portée de main.

Le gril à gaz devient chaud lorsqu'il est utilisé; il convient donc de manipuler les couvercles, etc. à l'aide de gants. Assurez-vous que l'appareil a complètement refroidi avant de le ranger.

A utiliser uniquement à l'extérieur!

Lisez les instructions avant d'utiliser le gril à gaz.

Les parties évaluables peuvent être très chaudes, tenez les jeunes enfants à l'écart ! Ne pas déplacer le gril à gaz pendant son utilisation.

Coupez l'alimentation en gaz au niveau du réservoir après utilisation.

Toute modification de l'appareil peut être dangereuse et n'est pas autorisée. Centre d'entretien : veuillez vous adresser aux revendeurs locaux pour l'entretien de la production.

Istruzioni di sicurezza

Conservare questo manuale di istruzioni per riferimenti futuri!

QUESTO GRILL A GAS È PROGETTATO ESCLUSIVAMENTE PER L'USO ALL'APERTO!

ATTENZIONE: PER UN FUNZIONAMENTO SICURO E CORRETTO, ASSICURARSI DI COLLEGARE UN REGOLATORE DI PRESSIONE UNIDIREZIONALE (NON INCLUSO).

Importante:

LEGGERE TUTTE LE ISTRUZIONI E LE OPERAZIONI PRIMA DI UTILIZZARE QUESTA UNITÀ. SEGUIRE TUTTI I PASSAGGI IN ORDINE. NON PERMETTERE MAI AI BAMBINI DI UTILIZZARE QUESTA UNITÀ.

Avvertenze:

Utilizzare solo all'aperto.

Leggere le istruzioni prima di utilizzare l'apparecchio. Le parti accessibili possono essere molto calde, tenere lontani i bambini piccoli. Non spostare l'apparecchio durante l'uso.

Chiudere l'alimentazione del gas alla bombola dopo l'uso. Qualsiasi modifica dell'apparecchio può essere pericolosa.

Le parti sigillate dal produttore o dal suo agente non devono essere modificate dall'utente. Non modificare l'apparecchio

Attenzione:

Alcune parti di questo apparecchio diventano molto calde; prestare particolare attenzione in presenza di bambini o anziani.

Per la vostra sicurezza:

Non conservare o utilizzare benzina o combustibili metilati o altri vapori e liquidi infiammabili in prossimità di questo o di altri apparecchi.

Non accendere mai un grill a gas con benzina o liquidi simili!

Suggerimento: l'utente non deve modificare il gruppo confezionato dal produttore.

Alcuni rivenditori di gas liquido possono riempire le bombole di gas liquido da utilizzare nel grill oltre la capacità di riempimento della bombola. Questo "riempimento eccessivo" può creare una condizione di pericolo. Il "riempimento eccessivo" delle bombole può generare una pressione eccessiva. Come dispositivo di sicurezza, la valvola di sicurezza dei serbatoi sfiata il vapore del gas per alleviare la pressione in eccesso. Questo vapore è combustibile e può quindi prendere fuoco. Per ridurre questo pericolo, è necessario adottare le seguenti precauzioni di sicurezza:

A. Quando fate riempire il serbatoio, assicuratevi di dire al fornitore di riempirlo a non più dell'80% della sua capacità totale.

B. Se si possiede o si utilizza un serbatoio di riserva supplementare, o se si dispone di un serbatoio scollegato, non bisogna mai riporlo vicino o sotto l'unità grill o il box di riscaldamento, o vicino a qualsiasi altra fonte di accensione o di calore.

Pericoli:

Se si sente odore di gas:

1. Chiudere il gas all'apparecchio
2. Spegnerne le fiamme libere
3. Coperchio aperto
4. Se l'odore persiste, allontanarsi dall'apparecchio e chiamare i vigili del fuoco.

Dati tecnici				
	BBQ4100	BBQ3100	BBQ3000 ⁽²⁾	BBQ2000
Caratteristiche di base	4+1 bruciatori a gas	Grill a gas a 3+1 bruciatori	Griglia a gas a 3 bruciatori (senza bruciatore laterale)	Grill a gas a 2 bruciatori (senza bruciatore laterale)
Dimensioni	L129xL57xH110 cm	L122xL57xH110 cm	L120xL57xH102 cm	L106xL57xH102 cm
Superficie della griglia	L69xL45 cm	L60xL45 cm	L60xL45 cm	L45xL45 cm
Griglia	Ghisa con rivestimento smaltato			Ghisa
Bruciatore e alimentazione	Bruciatori tubolari in acciaio inox, 3,6 kW per bruciatore, 2,7 kW per bruciatore laterale, totale 17,1 kW	Bruciatori tubolari in acciaio inox, 3,6 kW per bruciatore, 2,7 kW per bruciatore laterale, totale 13,5 kW	Bruciatori a tubo in acciaio inox, 3,6 kW per bruciatore, Totale 10,8 kW	Bruciatori a tubo in acciaio inox, 3,6 kW per bruciatore, totale 7,2 kW
Caratteristiche specifiche	2 ripiani laterali metallici, con ruote, termometro INOX, interruttori di autoaccensione, raccogliatore di grasso rimovibile, pannello di copertura del ripiano anteriore metallico (BBQ3000), 2 sportelli anteriori metallici (BBQ3100, BBQ4100)			
Regolatore e tubo flessibile	non incluso			

Nota: -SB significa con bruciatore laterale; consentire l'inserimento di una padella sul bruciatore laterale. (Il diametro della pentola è massimo Φ 24 cm e minimo Φ 8 cm).

Fasi di montaggio

Assicuratevi che il vostro grill sia assemblato correttamente. Nella confezione di ogni grill sono contenute istruzioni dettagliate per il montaggio che indicano le procedure specifiche per ogni modello. Seguire attentamente queste istruzioni per garantire un montaggio corretto e sicuro del grill.

Attenzione: Sebbene ci impegniamo al massimo per garantire che il processo di assemblaggio sia il più semplice possibile, è normale che le parti in acciaio fabbricate possano causare tagli se maneggiate in modo improprio durante le procedure di assemblaggio. Prestare attenzione quando si maneggiano le parti durante l'assemblaggio. Si raccomanda vivamente di proteggere le mani con un paio di guanti da lavoro.

Preparazione

Per il funzionamento di questo grill a gas è necessario disporre di una bombola di gas GPL e di regolatori adeguati alla pressione del gas. I regolatori devono essere conformi alla norma EN16129 nella versione attuale e alla normativa nazionale.

Per ulteriori istruzioni, vedere il punto 6.

Consigli per il risparmio energetico:

- Ridurre il tempo di apertura del coperchio.
- Spegnere il grill non appena la cottura è terminata.
- Preriscaldare la griglia a gas solo per 10-15 minuti. (tranne che per il primo utilizzo)
- Non preriscaldare più a lungo di quanto raccomandato.
- Non utilizzare un'impostazione più alta del necessario.
- Collegare il tubo e il regolatore al contenitore del gas sul lato sinistro della griglia a gas, tenendo presente che il contenitore del gas deve essere tenuto lontano dal calore e in posizione sicura. La dimensione del tubo è di 8-10 mm di diametro. La lunghezza del tubo flessibile consigliata non deve superare 1,5 m. Il tubo flessibile deve essere conforme alle norme e ai codici locali.

Installazione

Dopo aver acquistato la bombola di gas, sarete pronti a configurarla con il vostro grill a gas.

- La sostituzione della bombola di gas deve essere effettuata lontano da qualsiasi fonte di accensione. Posizionare la bombola di gas sul lato sinistro del grill a gas, non all'interno del barbecue, tenendo presente che la bombola deve essere tenuta lontana dal calore e in posizione sicura.
- Quando si è pronti a utilizzare il grill a gas, inserire il regolatore nella valvola della bombola del gas e serrare saldamente.

Attenzione: Prima di accendere il grill a gas è necessario consultare le istruzioni per l'accensione e le avvertenze/sicurezza.

Controllare il tubo prima di ogni utilizzo, alla ricerca di crepe, tagli o abrasioni. Se il tubo risulta in qualche modo difettoso, non tentare di utilizzare il grill a gas. Quando si sostituisce la bombola del gas, assicurarsi che non vi siano fonti di accensione nelle vicinanze, ad esempio fuochi, sigarette, fiamme libere, ecc. Assicurarsi che l'apparecchio sia spento.

Durante l'installazione del grill a gas, assicurarsi che il tubo non subisca torsioni che potrebbero compromettere il flusso del gas. Inoltre, il tubo non deve essere sottoposto a tensioni eccessive e non deve toccare alcuna parte del grill a gas che potrebbe essere calda.

- Scegliere un tubo flessibile con resistenza al calore superiore a 80°C.
- Il tubo flessibile deve essere sostituito ogni 2 anni. È necessario sostituire il tubo flessibile quando le condizioni nazionali lo richiedono.

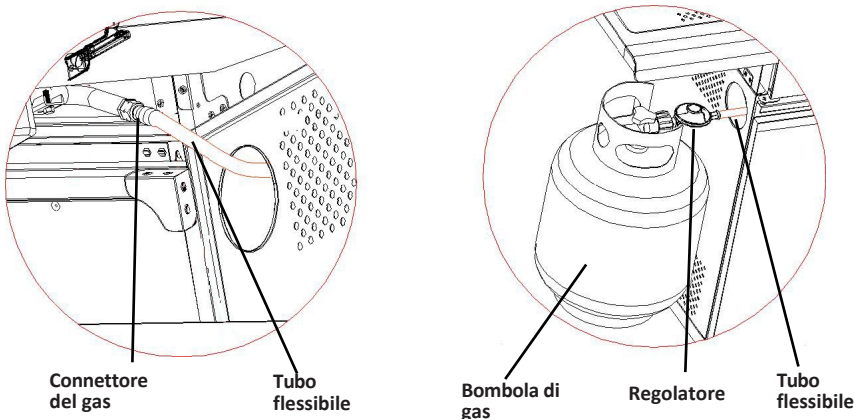
Come cambiare il cilindro

Nota: spegnere l'interruttore del cilindro (non è necessaria una chiave).

L'altezza della bombola di gas è inferiore a 80 cm e la larghezza non supera i 35 cm.

Come collegare una bombola di gas

- Ruotare il tappo arancione in modo che la freccia sia rivolta verso la fessura del mantello.
- Rimuovere il cappuccio di sicurezza arancione tirando il cordino e poi fuori. Non utilizzare attrezzi. Lasciare il cappuccio appeso.
- Verificare che la rondella di tenuta nera sia inserita nella valvola della bombola. Collegare il regolatore alla valvola.
- Ruotare l'interruttore in senso orario sulla bombola del gas, quindi accendere il grill a gas come indicato.



*Solo per il prodotto senza vano per la bombola del gas.

Attenzione: Verificare sempre che la linea del gas non presenti perdite in corrispondenza del connettore, rifinendo tutti i collegamenti con acqua saponata.

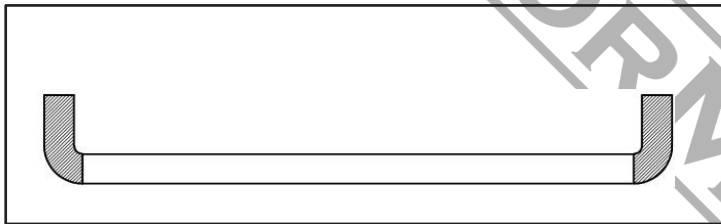
Come scollegare una bombola di gas

- Ad eccezione delle installazioni bicilindriche con valvola di commutazione, chiudere il rubinetto del gas se presente nell'apparecchio. Attendere che il bruciatore e la fiamma pilota si spengano. Per le installazioni con valvola di commutazione, è necessario spegnere solo la bombola vuota.
- Riposizionare il tappo di sicurezza arancione sulla bombola vuota.

Avvertenze e punti di sicurezza

Prima di utilizzare il grill a gas, leggere i seguenti punti:

- Leggere le istruzioni prima di utilizzare l'apparecchio. Se le istruzioni non vengono seguite, possono verificarsi problemi durante l'uso.
 - Le parti accessibili di questo grill a gas possono essere molto calde durante l'uso. Tenere lontani i bambini piccoli. Usare protezioni quando si maneggiano componenti particolarmente caldi.
 - In caso di perdita di gas, interrompere l'alimentazione del gas alla bombola, spegnere eventuali fiamme libere, aprire il coperchio e, se la perdita continua, verificare la presenza di danni, collegamenti difettosi ecc. Contattare immediatamente il rivenditore di gas locale se il problema non può essere risolto.
 - Non spostare la griglia a gas durante l'uso.
 - Non utilizzare o conservare liquidi, vapori o altri materiali nelle vicinanze durante il funzionamento del grill a gas.
 - Questo grill a gas deve essere utilizzato solo all'aperto.
 - Non utilizzare una fiamma libera per verificare eventuali perdite di gas.
 - Non utilizzare il grill a gas in caso di perdita di gas. Chiudere l'alimentazione del gas.
 - Non tentare di scollegare alcun componente del raccordo del gas se il grill a gas è in uso, sul grill a gas o sul regolatore/bombola del gas.
 - Si raccomanda di prestare attenzione durante l'uso del grill a gas e di non lasciarlo mai incustodito quando è in funzione. Dopo l'uso, chiudere l'alimentazione del gas dal contenitore.
 - Il grill a gas deve essere pulito dopo l'uso. Non ostruire l'apertura del fuoco del vano contenitore. Se l'apertura del fuoco è ostruita, utilizzare un bastone rotondo di $\varnothing 1,6$ mm per scavare.
- Durante la pulizia del bruciatore o delle valvole, fare attenzione a non allargare le aperture del bruciatore o degli orifici/ugelli.
- Non tentare di utilizzare questo apparecchio in un garage o in un'area chiusa. Inoltre, questo apparecchio deve essere tenuto lontano da materiali infiammabili durante l'uso, ecc. Si consiglia di mantenere una distanza di almeno 0,5-1,0 metri da qualsiasi materiale infiammabile.
 - Raccomandiamo che questo grill a gas venga sottoposto a manutenzione da parte di un tecnico competente almeno una volta all'anno presso il punto vendita locale di gas. Non tentare di eseguire la manutenzione dell'apparecchio da soli.
 - Qualsiasi modifica dell'apparecchio può essere pericolosa. Non tentare di interferire con i comandi principali di questo grill a gas, come rubinetti del gas, iniettori, valvole, ecc.



AVVERTENZA: L'area nera dell'impugnatura (vedere l'immagine sopra come riferimento) Diventerà caldo quando il grill a gas è in uso, fare attenzione! Non toccare l'area nera.

Precauzioni di sicurezza

- Verificare sempre l'assenza di perdite sulla linea del gas in corrispondenza del connettore con acqua saponata dopo aver effettuato i collegamenti.
- Il coperchio superiore deve essere sempre aperto quando si accende il bruciatore.
- Quando si cucina sulla griglia, utilizzare guanti da forno e utensili da griglia a gas robusti e con manico lungo.
- Essere preparati in caso di incidente o incendio. Sapere dove si trovano la cassetta di pronto soccorso e gli estintori e sapere come usarli.
- Tenere il cavo di alimentazione elettrica e il tubo di alimentazione del carburante lontano da superfici riscaldate.
- Cucinare sempre con grande attenzione.
- Non riscaldare sulla griglia contenitori di vetro o di metallo non aperti. La pressione potrebbe aumentare e far scoppiare il contenitore, con il rischio di gravi lesioni personali o danni al grill.

Istruzioni per l'uso

Attenzione: Il coperchio deve essere aperto quando si accende il bruciatore!
Non posizionarsi con il viso direttamente sopra il grill a gas quando lo si accende.

Il vostro grill a gas avrà il seguente metodo di accensione:

Accensione del comando pilota del gas (bruciatore principale o bruciatore principale con bruciatore laterale): Con tutti i comandi del gas sul grill a gas in posizione "OFF" "OFF", girare la valvola della bombola del gas in posizione "on" sul regolatore. Per creare una scintilla è necessario premere la manopola di controllo (A) e mantenerla in questa posizione per 3-5 secondi per consentire il flusso del gas, quindi ruotarla in senso antiorario su "ALTO" (B). La scintilla può arrivare al tubo di accensione del bruciatore (C). Si sentirà uno "scatto" dell'accenditore e si vedrà anche una fiamma arancione provenire dal tubo di accensione del bruciatore sul lato sinistro del bruciatore (D).

Continuare a tenere premuta la manopola di controllo del bruciatore per due secondi dopo lo "scatto", per consentire al gas di fluire completamente lungo il tubo del bruciatore (E) e garantire l'accensione.

Quando il bruciatore è acceso, i bruciatori adiacenti si accendono trasversalmente quando i loro comandi sono portati su "ALTO".

Con l'impostazione "High" la fiamma del bruciatore deve essere lunga circa 12-20 mm con una fiamma arancione minima. Ruotare completamente il comando del gas in senso antiorario per ottenere l'impostazione minima.

Se si riscontrano difficoltà nell'accensione del grill a gas seguendo i passaggi sopra descritti, rivolgersi al rivenditore per un consiglio.

Se non è possibile utilizzare l'accensione automatica, rimuovere la griglia di cottura e il diffusore di calore (piastra) e ruotare la valvola in senso antiorario a 90°C per accendere con l'accendino BBQ a una distanza di 5 mm dal foro del bruciatore. Sostituire la griglia di cottura e il diffusore di calore (piastra), indossando guanti ignifughi e resistenti al calore.

Attenzione: se il bruciatore continua a non accendersi, ruotare la manopola di controllo del bruciatore su "OFF" e attendere 5 minuti per far uscire il gas prima di riaccenderlo.

Conservazione

La bombola del gas deve essere conservata all'aperto in un'area ben ventilata e deve essere scollegata dal grill a gas quando non viene utilizzata. Assicurarsi di essere all'aperto e lontano da qualsiasi fonte di accensione prima di tentare di scollegare la bombola di gas dal grill a gas.

Quando si utilizza il grill a gas dopo un periodo di stoccaggio, assicurarsi di controllare eventuali perdite di gas e di verificare la presenza di eventuali ostruzioni nel bruciatore ecc. prima dell'uso. Seguire anche le istruzioni di pulizia per garantire la sicurezza del grill a gas.

Se il grill a gas viene immagazzinato all'aperto, verificare che tutte le aree sotto il pannello frontale siano libere da qualsiasi ostacolo (insetti, ecc.) Questa zona deve essere mantenuta libera in quanto potrebbe influire sul flusso dell'aria di combustione o di ventilazione.

Istruzioni per la pulizia

La manutenzione è consigliata ogni 90 giorni per il vostro grill a gas, ma è assolutamente necessario eseguirla almeno una volta all'anno. Così facendo, prolungherete la vita del vostro grill a gas.

Il vostro grill a gas è facile da pulire con il minimo sforzo, basta seguire questi suggerimenti utili per la pulizia.

Risoluzione dei problemi		
Emergenze	Possibile causa	Prevenzione/Soluzione
Perdita di gas dal tubo flessibile incrinato / tagliato / bruciato.	Tubo flessibile danneggiato.	Spegnere il gas al serbatoio LP, se il tubo è tagliato o incrinato, sostituirlo. Vedere il test del cavo del serbatoio LP e il collegamento del regolatore all'LP.
Perdita di gas dalla valvola del serbatoio LP.	Guasto meccanico dovuto al riposo o alla manipolazione errata.	Chiudere la valvola del serbatoio LP.
Perdita di gas dalla valvola del serbatoio LP.	Guasto o valvola del serbatoio a causa di una manipolazione errata o di un guasto meccanico	Chiudere la valvola del serbatoio LP. Restituire il serbatoio LP al fornitore di gas
Perdita di gas tra il serbatoio LP e l'attacco del regolatore	Installazione non corretta, collegamento non a tenuta, guasto della guarnizione in gomma	Chiudere la valvola del serbatoio LP, rimuovere il regolatore dalla bombola e controllare visivamente che la guarnizione di gomma non sia danneggiata, vedi test del serbatoio LP e collegamento del regolatore al serbatoio LP.
Fuoco proveniente dal pannello di controllo	Incendio nella sezione del tubo del bruciatore a causa di un'ostruzione parziale	Spegnere le manopole di controllo e la valvola del serbatoio LP. Dopo che il fuoco è stato spento e la griglia è fredda, rimuovere il bruciatore e controllare che non vi siano nidi di ragno o ruggine, vedere le pagine relative ai rischi naturali e alla pulizia del gruppo bruciatore.
Incendio di grasso o fiamme eccessive sopra il piano di cottura	Troppi accumuli di grasso nella zona del bruciatore.	Spegnere il serbatoio LP. Lasciare il coperchio aperto per consentire alle fiamme di spegnersi. Dopo il raffreddamento, pulire le particelle di cibo e il grasso in eccesso dall'area interna del focolare, dalla vaschetta/padella/vaschetta per il grasso e da altre superfici.
Il bruciatore non si accende con l'accenditore.	Problemi di gas	
	1. Tentativo di accensione del bruciatore sbagliato	1. Vedere le istruzioni sul pannello di controllo e la sezione Uso e cura.
	2. Il bruciatore non è agganciato alla valvola di controllo	2. Assicurarsi che la valvola sia posizionata all'interno dei tubi del bruciatore.
	3. Ostruzione del bruciatore.	3. Assicurarsi che i tubi del bruciatore non siano ostruiti da ragnatele o da altre
Il bruciatore non si accende con l'accenditore.	4. Nessun flusso di gas	4. Assicurarsi che il serbatoio LP non sia vuoto. Se il serbatoio LP non è vuoto, fare riferimento al calo improvviso del flusso di gas.
	Problemi elettrici	

	<ol style="list-style-type: none"> 1. Elettrodo incrinato o rotto;" scintille sulla crepa". 2. La punta dell'elettrodo non è in posizione corretta 3. Filo e/o elettrodo coperto di cottura residuo. 4. I fili sono allentati o scollegati 5. I fili sono in cortocircuito (scintilla) tra l'accenditore e l'impianto di accensione. e l'elettrodo. 6. Il pulsante si blocca in basso provocando una scintilla tra l'accenditore e l'elettrodo 	<ol style="list-style-type: none"> 1. Sostituire l'elettrodo. 2. La punta dell'elettrodo deve essere rivolta verso il foro del bruciatore. La distanza deve essere compresa tra 1/8" e 3/16". Regolare se necessario. 3. Pulire il filo e o l'elettrodo con alcool e un tampone pulito. 4. Ricollegare i fili o sostituire il gruppo elettrodo/filo. 5. Sostituire il filo dell'accenditore 6. Sostituire l'accenditore 7. Controllare l'isolamento dei fili e il loro corretto collegamento. Sostituire i fili se l'isolamento è rotto.
Il bruciatore non si accende	<ol style="list-style-type: none"> 1. Vedere "Problemi di gas" alla pagina precedente. 2. Metodo improprio di accensione dei fiammiferi 	<ol style="list-style-type: none"> 1. Vedere la sezione "Controllo dell'accensione del gas pilota" dell'uso e della manutenzione. cura.
Improvviso calo del flusso di gas o fiamma bassa	<ol style="list-style-type: none"> 1. Accumulo di grasso. 2. Eccesso di grassi nella carne. 3. Temperatura di cottura eccessiva 	<ol style="list-style-type: none"> 1. Pulire i bruciatori e l'interno della griglia / del focolare 2. Eliminare il grasso dalla carne prima di grigliarla. 3. Regolare (abbassare) la temperatura
Le Fiamme fanno saltare in aria	Vento forte o a raffiche. Scarsa disponibilità di gas LP. È intervenuta la valvola di eccesso di flusso.	<p>Ruotare la parte anteriore della griglia per affrontare il vento o aumentare l'altezza della fiamma.</p> <p>Riempire il serbatoio LP.</p> <p>Fare riferimento a "improvviso calo del flusso di gas" di cui sopra.</p>
Incendio persistente di grasso	Grasso intrappolato da accumuli di cibo intorno al sistema del bruciatore.	Girare le manopole su OFF. Chiudere il gas al serbatoio LP. Lasciare il coperchio in posizione e lasciare che il fuoco si spenga. Dopo il raffreddamento del grill, rimuovere e pulire tutte le parti.
Ritorno di fiamma (incendio nei tubi del bruciatore)	Il bruciatore e i tubi del bruciatore sono bloccati	Girare le manopole su OFF, pulire il bruciatore e/o i tubi del bruciatore. Vedere la sezione "Pulizia del bruciatore" del manuale d'uso e manutenzione.
Riaccensione	<ol style="list-style-type: none"> 1. Accumulo di grasso. 2. Eccesso di grassi nella carne. 3. Temperatura di cottura eccessiva 	<ol style="list-style-type: none"> 1. Pulire i bruciatori e l'interno della griglia / del focolare 2. Eliminare il grasso dalla carne prima di grigliarla. 3. Regolare (abbassare) la temperatura
Impossibile riempire il serbatoio LP	Alcuni concessionari hanno ugelli di riempimento più vecchi e usurati fili.	Gli ugelli usurati non hanno abbastanza "mordente" per agganciare la valvola. Provare con un secondo rivenditore LP.
Un bruciatore non si accende rispetto agli altri bruciatori	Accumulo di grasso o particelle di cibo all'estremità del tubo di trasporto	Pulire il tubo di riporto con una spazzola metallica

Se il problema non si risolve con le informazioni di cui sopra, contattare il rivenditore di gas locale.

a) Accendere il bruciatore per 15-20 minuti. Assicurarsi che l'apparecchio sia freddo prima di continuare.

b) Le griglie devono essere pulite periodicamente immergendole e lavandole in acqua e sapone.

c) Anche le superfici interne del coperchio dell'alloggiamento della griglia devono essere lavate con acqua calda e sapone. Per rimuovere le macchie più ostinate, utilizzare una spazzola metallica, lana d'acciaio o un tampone abrasivo.

d) Controllare periodicamente che il bruciatore sia libero da insetti e ragni che possono intasare il sistema del gas, deviando il flusso del gas. Pulire accuratamente i tubi di Venturi del bruciatore e assicurarsi che non vi siano ostruzioni. Si consiglia di utilizzare uno scovolino per pulire l'area del tubo di Venturi.

e) Qualsiasi modifica a questo apparecchio può essere pericolosa e non è consentita.

Suggerimenti per la sicurezza del grill a gas

Posizionate il grill a gas su una superficie piana e sicura, lontano da elementi infiammabili come recinzioni in legno o rami di alberi sporgenti. Non utilizzare mai il grill a gas in ambienti chiusi!

Una volta acceso, non spostare il grill a gas e non lasciarlo incustodito. Tenete bambini e animali domestici a distanza di sicurezza dal grill a gas. Tenete a portata di mano un estintore.

Il grill a gas si surriscalda durante l'uso, quindi maneggiare i coperchi ecc. con l'aiuto di guanti. Assicurarsi che l'apparecchio si sia completamente raffreddato prima di riporlo.

Utilizzare solo all'aperto!

Leggere le istruzioni prima di utilizzare il grill a gas.

Le parti valutabili possono essere molto calde, tenere lontani i

bambini piccoli! Non spostare il grill a gas durante l'uso.

Dopo l'uso, chiudere l'alimentazione del gas sul contenitore.

Qualsiasi modifica dell'apparecchio può essere pericolosa e non è consentita. Centro di manutenzione: rivolgersi ai rivenditori locali per la manutenzione della produzione.

ПРЕДУПРЕЖДЕНИЕ
ВАЖНО ИЗВЕСТИЕ

1. За безопасна и правилна работа използвайте само бутилки за втечен газ, предназначени за домашна употреба, които са оборудвани с предпазен клапан. Също така, трябва да свържете регулатора за ниско налягане 30mbar (нерегулируем) с вентила на бутилката и специалния маркуч за уреди за втечен нефтен газ, като внимавате да не се получи теч или повреда на веригата.
2. Резбата на регулатора на налягането е в посока, обратна на часовниковата стрелка.
3. Никога и при никакви обстоятелства не оставяйте грила без надзор.
4. Ако се появят много пламъци, които не изгасват сами, затворете газовата бутилка. Ако оставите огъня да се разгори, има вероятност боята на скарата да изгори. Преди всяко затопляне трябва да сте почистили колектора за мазнини, топлоразсейвателите (укротителите на пламъка) и останалата част на грила от мазнини, тъй като те могат да се възпламенят и да унищожат грила.
5. Топлинните разсейватели (укротители на пламъка) трябва да се почистват след всяка употреба, както и съда за събиране на мазнини, като се потапят в гореща вода с течност за миене на съдове. Не остъргвайте повърхностите, когато върху тях има залепени мазнини, защото боята им се разрушава.
6. В случай на обширно създаване на пламъци, причинени от мазнини в топлоразпределителите (пламъчни тръби), може да настъпи влошаване на порцелановата боя.
7. Ако моделът, който сте закупили, е с отлята решетка, не наливайте студена вода, когато тя е все още гореща, тъй като може да се счупи.
8. Не използвайте разяждащи течности или почистващи спрейове.
9. Прочетете внимателно инструкциите!
10. Всички повреди, причинени от неспазване на горепосочените изисквания или неспазване на необходимото редовно почистване, не се покриват от гаранцията.

OPOZORILO
POMEMBNO OBVESTILO

1. Za varno in pravilno delovanje uporabljajte samo jeklenke za utekočinjeni naftni plin, ki so namenjene domači uporabi in so opremljene z varnostnim ventilom. Prav tako morate z ventilom jeklenke in posebno cevjo za naprave na utekočinjeni naftni plin povezati regulator nizkega tlaka 30mbar (ni nastavljiv) in paziti, da ne pride do puščanja ali poškodbe tokokroga.
2. Navoji regulatorja tlaka so usmerjeni v nasprotni smeri urinega kazalca.
3. Žara nikoli in pod nobenim pogojem ne smete pustiti brez nadzora.
4. Če nastane veliko plamenov, ki ne ugasnejo sami od sebe, zaprite plinsko jeklenko. Če pustite, da ogenj gori, obstaja možnost, da se bo barva žara zažgala. Pred vsakim ogrevanjem morate zbiralnik maščob, razpršilce toplote (krotilce plamena) in preostali del žara očistiti maščob, saj se lahko vžgejo in uničijo žar.
5. Po vsaki uporabi je treba očistiti razpršilce toplote (krotilce plamena) in posodo za zbiranje maščobe tako, da jo potopite v vročo vodo s tekočino za pomivanje posode. Ne strgajte površin, na katerih so bile prilepljene maščobe, saj se njihova barva razgradi.
6. V primeru obsežnega ustvarjanja plamenov zaradi maščob v razpršilnikih toplote (plamenskih ceveh) lahko pride do poslabšanja porce- lain barvila.
7. Če ima model, ki ste ga kupili, odslužene rešetke, jih ne zalivajte s hladno vodo, ko so še vroče, saj se lahko zlomijo.
8. Ne uporabljajte jedkih tekočin ali čistilnih razpršil.
9. Pozorno preberite navodila!
10. Garancija ne krije škode, ki bi nastala zaradi neupoštevanja zgoraj navedenega ali neupoštevanja potrebnega rednega čiščenja.

Инструкции за безопасност

Моля, запазете това ръководство за употреба за бъдещи справки!
ТОЗИ ГАЗОВ ГРИЛ Е ПРЕДНАЗНАЧЕН ЗА ИЗПОЛЗВАНЕ САМО НА ОТКРИТО!

ПРЕДУПРЕЖДЕНИЕ: ЗА БЕЗОПАСНА И ПРАВИЛНА РАБОТА СЕ УВЕРЕТЕ, ЧЕ СТЕ СВЪРЗАЛИ ЕДНОПОСОЧЕН РЕГУЛАТОР НА НАЛЯГАНЕТО (НЕ Е ВКЛЮЧЕН В КОМПЛЕКТА).

Важно:

ПРОЧЕТЕТЕ ВСИЧКИ ИНСТРУКЦИИ И ОПЕРАЦИИ, ПРЕДИ ДА ЗАПОЧНЕТЕ РАБОТА С ТОЗИ УРЕД. СЛЕДВАЙТЕ ВСИЧКИ СЪПКИ В ПОСЛЕДОВАТЕЛНОСТ. НИКОГА НЕ ПОЗВОЛЯВАЙТЕ НА ДЕЦА ДА РАБОТЯТ С ТОЗИ УРЕД.

Предупреждения:

Използвайте само на открито.

Прочетете инструкциите, преди да използвате уреда.

Достъпните части може да са много горещи, пазете малки деца далеч от тях. Не премествайте уреда по време на употреба.

След употреба изключете подаването на газ от газовата бутилка. Всяка модификация на уреда може да бъде опасна.

Частите, запечатани от производителя или негов представител, не трябва да бъдат променяни от потребителя. Не модифицирайте уреда

Внимание:

Някои части на уреда стават много горещи, внимавайте особено, когато има деца или възрастни хора.

За вашата безопасност:

Не съхранявайте и не използвайте бензин, метилирани горива или други запалими пари и течности в близост до този или друг уред.

Никога не запалвайте газовия грил с бензин или подобни течности!

Предложение: потребителят не бива да променя сглобката, която е опакована от производителя.

Някои търговци на течен газ могат да пълнят бутилки с течен газ за използване в грила над капацитета за пълнене на бутилките. Това "препълване" може да създаде опасно състояние. "Препълването" на резервоарите може да доведе до натрупване на свръхналягане. Като предпазно устройство, предпазният клапан на резервоарите изпуска газови пари, за да намали това свръхналягане. Тази пара е горима и следователно може да се възпламени. За да намалите тази опасност, трябва да вземете следните предпазни мерки:

A. Когато зареждате резервоара си, не забравяйте да кажете на доставчика да го напълни до не повече от 80% от общата му вместимост.

B. Ако притежавате или използвате допълнителен резервоар или имате изключен резервоар, никога не трябва да го съхранявате в близост до или под грила или нагревателната кутия, или в близост до друг източник на запалване или топлина.

Опасности:

Ако усетите мирис на газ:

1. Изключете газта към уреда
2. Погасете всеки открит пламък
3. Отворен капак
4. Ако миризмата продължава да се усеща, дръжте се далеч от уреда и се обадете на местната пожарна служба.

Технически данни				
	BBQ4100	BBQ3100	BBQ3000	BBQ2000
Основна характеристика	Газова скара с 4+1 горелки	Газов грил с 3+1 горелки	Газов грил с 3 горелки (без странична горелка)	Газов грил с 2 горелки (без странична горелка)
Размери	L129xW57xH110 cm	L122xW57xH110 cm	L120xW57xH102 cm	L106xW57xH102 cm
Повърхност на грила	L69x W45 cm	L60xW45 cm	L60xW45 cm	L45xW45 cm
Мрежа	Чугун с емайлово покритие			Чугун
Горелка и захранване	Тръбни горелки от неръждаема стомана, 3,6 kW на горелка, 2,7 kW на странична горелка, общо 17,1 kW	Тръбни горелки от неръждаема стомана, 3,6 kW на горелка, 2,7 kW на странична горелка, общо 13,5 kW	Тръбни горелки от неръждаема стомана, 3,6 kW на горелка, Общо 10,8 kW	Тръбни горелки от неръждаема стомана, 3,6 kW на горелка, общо 7,2 kW
Специфични характеристики	2 странични метални рафта, с колелца, термометър INOX, превключватели за автоматично запалване, подвижен колектор за мазнина, метален панел за покриване на предните рафтове (BBQ3000), 2 метални предни врати (BBQ3100, BBQ4100)			
Регулатор и маркуч	не е включен			

Забележка: -Позволява да се постави тиган върху страничната горелка. (Диаметърът на тигана е макс. 24 см и мин. х 8 см)

Стъпки за монтиране

Уверете се, че грилът е сглобен правилно. Към всеки грил са приложени подробни инструкции за сглобяване, в които са описани конкретните процедури за сглобяване за всеки модел. Следвайте внимателно тези инструкции, за да гарантирате правилното и безопасно сглобяване на грила.

Внимание: Въпреки че полагаме всички усилия, за да гарантираме, че процесът на сглобяване е възможно най-лесен, за изработените стоманени части е присъщо, че ъглите и ръбовете могат да причинят порязвания при неправилно боравене с тях по време на монтажните процедури. Бъдете внимателни, докато боравите с всички части по време на монтажа. Силно препоръчително е да защитите ръцете си с чифт работни ръкавици.

Подготовка

За да работите с този газов грил, се нуждаете от газова бутилка за втечен нефтен газ и подходящи регулатори за налягането на газа. Регулаторите трябва да отговарят на изискванията на EN16129 в актуалната му версия и на националното законодателство.

Вижте точка 6 за допълнителни инструкции.

Съвети за пестене на енергия:

- Намалете времето за отваряне на капака.
- Изключете грила веднага след приключване на готвенето.
- Загрейте газовия грил само за 10 до 15 минути. (С изключение на първото използване)
- Не нагрявайте по-дълго от препоръчаното.
- Не използвайте по-висока настройка от необходимата.
- Свържете маркуча и регулатора към газовия контейнер от лявата страна на газовия грил. Имайте предвид, че газовият контейнер трябва да се държи далеч от топлина и на безопасно място. Размерите на маркуча са с диаметър 8-10 мм. Препоръчителната дължина на маркуча не трябва да надвишава 1,5 м. Гъвкавият маркуч трябва да отговаря на изискванията на съответния стандарт и местния правилник.

Инсталация

След като закупите газовата бутилка, ще можете да я настроите с газовия си грил.

а) При смяна на газовата бутилка тя трябва да се извършва далеч от всякакви източници на запалване. Разположете газовата бутилка от лявата страна на газовия грил, не трябва да се поставя вътре в барбекюто, като имате предвид, че бутилката трябва да се държи далеч от топлина и на безопасно място.

б) Когато сте готови да използвате газовия си грил, поставете регулатора във вентила на газовата бутилка и го затегнете здраво.

Предупреждение: Преди да се опитате да запалите газовия си грил, трябва да се запознаете с инструкциите за запалване и предупредителните/безопасните точки.

Преди всяка употреба проверявайте маркуча за напукване, порязвания или ожулвания. Ако маркучът е повреден по какъвто и да е начин, не се опитвайте да използвате газовия си грил. Когато смените газовата бутилка, уверете се, че в близост няма източници на запалване, т.е. огънове, цигари, открит огън и др. Уверете се, че уредът е изключен.

Уверете се, че маркучът не е усукан, което ще повлияе на газовия поток при монтажа на газовия грил. Освен това маркучът не трябва да е прекалено опънат и не трябва да се допира до някоя част на газовия грил, която може да е гореща.

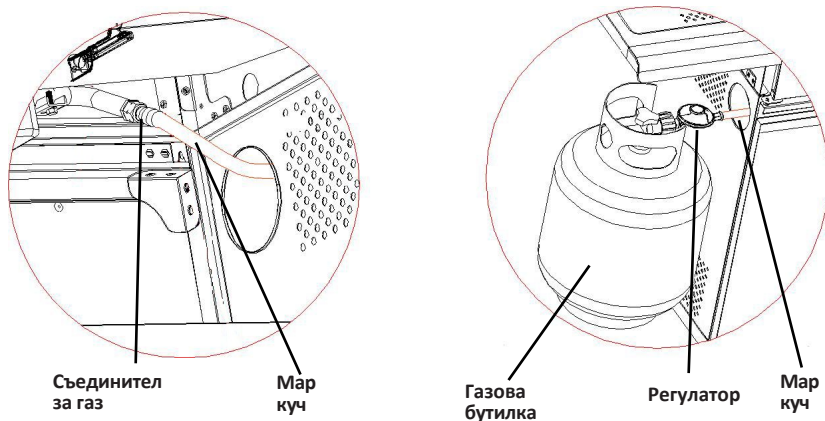
- Моля, изберете гъвкав маркуч, чиято топлоустойчивост е по-висока от 80°C.
- Гъвкавата тръба трябва да се сменя на всеки 2 години. Необходимо е да смените гъвкавата тръба, когато националните условия го изискват.

Как да смените цилиндъра си

Забележка: Изключете превключвателя на цилиндъра (не е необходим гаечен ключ) Височината на газовата бутилка е под 80 см, а ширината - до 35 см.

Как да свържете газовата бутилка

- Завъртете оранжевата капачка така, че стрелката да сочи към пролуката в кожата.
- Отстранете оранжевата предпазна капачка, като издърпате ремъка, след това навън. Не използвайте инструменти. Оставете капачката да виси.
- Проверете дали черната уплътнителна шайба е поставена във вътрешността на цилиндричния клапан. Свържете регулатора към вентила.
- Завъртете превключвателя по посока на часовниковата стрелка на газовата бутилка, след което включете газовия грил съгласно инструкциите.



*Само за продукта без отделение за газова бутилка.

Предупреждение: Винаги проверявайте газопровода за течове в конектора със сапунена вода, като завършвате всички връзки.

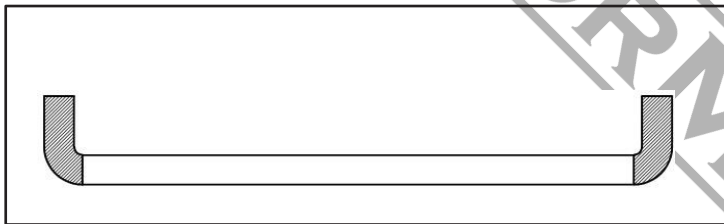
Как се изключва газова бутилка

- С изключение на двуцилиндровите инсталации с превключващ вентил, изключете газовия кран, ако е монтиран към уреда. Изчакайте, докато горелката и пилотната лампа угаснат. При инсталации с превключващ вентил е необходимо да изключите само празната бутилка.
- Поставете оранжевата предпазна капачка върху празния цилиндър.

Предупреждения и точки за безопасност

Моля, прочетете следните точки, преди да използвате газовия си грил:

- Прочетете инструкциите, преди да използвате уреда. Ако инструкциите не се спазват, това може да доведе до проблеми при използването.
- Този газов грил може да е много горещ, когато се използва. Пазете малки деца настрана. Използвайте предпазни средства при работа с особено горещи компоненти.
- В случай на изтичане на газ, изключете подаването на газ от бутилката, изгасете всички открити пламъци, отворете капака и ако изтичането продължава, проверете за повреди, лоши връзки и т.н. Незабавно се свържете с местния търговец на газ, ако проблемът не може да бъде разрешен.
- Не премествайте газовия грил по време на употреба.
- Не използвайте и не съхранявайте никакви течности, изпарения или други материали в близост, когато работите с газовия грил.
- Този газов грил може да се използва само на открито.
- Не използвайте открит пламък, за да проверявате за изтичане на газ.
- Не работете с газовия грил, ако има изтичане на газ. Изключете подаването на газ.
- Не се опитвайте да изключвате която и да е част от газовата арматура, ако газовият ви грил се използва, на газовия грил или на газовия регулатор/бутилка.
- Препоръчително е да се внимава, когато се работи с газовия грил, никога не трябва да се оставя без надзор, когато се използва. След употреба изключете подаването на газ от газовия контейнер.
- Газовият грил трябва да се почиства след употреба. Не запушвайте отвора за огън на отделението за контейнери. Ако отворът за огъня е запушен, моля, използвайте кръгла пръчка с диаметър $\Phi 1,6$ мм, за да изгребете. Внимавайте да не разширите отворите на горелката или отворите на отворите/дюзите, когато почиствате горелката или клапаните.
- Не се опитвайте да използвате този уред в гараж или друго затворено помещение. Също така този уред трябва да се държи далеч от запалими материали по време на употреба и т.н. Препоръчваме ви да спазвате разстояние от поне 0,5 до 1,0 метра от всякакви запалими материали.
- Препоръчваме този газов грил да се обслужва от компетентен инженер в местния магазин за продажба на газ поне веднъж годишно. Не се опитвайте да обслужвате този уред сами.
- Всяка модификация на уреда може да бъде опасна. Не правете опити за неразрешена намеса в основните органи за управление на този газов грил, т.е. в газовите кранове, инжекторите, клапаните и др.



ПРЕДУПРЕЖДЕНИЕ: Черната зона на дръжката (вижте горната снимка за справка)

Ще стане горещо, когато се използва газовата скара, бъдете внимателни! Не докосвайте черната зона.

Предпазни мерки за безопасност

- Винаги проверявайте газопровода за течове в съединителя със сапунена вода, след като направите връзки.
- При запалване на горелката горният капак винаги трябва да е отворен.
- Когато готвите на грил, използвайте ръкавици и здрави инструменти за газов грил с дълги дръжки.
- Бъдете подготвени, ако възникне инцидент или пожар. Знайте къде се намират аптечката за първа помощ и пожарогасителите и знайте как да ги използвате.
- Дръжте електрическия захранващ кабел и маркуча за подаване на гориво далеч от всякакви нагreti повърхности.
- Винаги гответе с голямо внимание.
- Не нагрявайте неотворени стъклени или метални съдове с храна върху грила. Налягането може да се повиши и да доведе до спукване на контейнера, което може да доведе до сериозни наранявания или повреда на грила.

Инструкции за експлоатация

Внимание: При запалване на горелката капакът трябва да е отворен!
Не стойте с лице директно над газовия грил, когато го запалвате.

Вашият газов грил има следния начин на запалване:

Пилотното запалване на газовия регулатор (основна горелка или основна горелка със странична горелка): При положение, че всички контролни уреди за газта на газовия грил са в положение "OFF" (изключено), завъртете вентила на газовия цилиндър в положение "on" (включено) на регулатора. За да създадете искра, трябва да натиснете копчето за управление (A) и да го задържите в това положение за 3-5 секунди, за да позволите на газа да потече, след което да завъртите обратно на часовниковата стрелка на "HIGH" (B). Може да се получи искра към тръбата за осветление на горелката (C). Ще чуете "щракване" от запалителя и ще видите също така оранжев пламък, излизащ от тръбата за осветяване на горелката в лявата част на горелката (D).

Продължете да държите копчето за управление на горелката в продължение на две секунди след "щракването", което ще позволи на газа да потече напълно по тръбата на горелката (E) и да се запали.

Когато горелката е запалена, съседните горелки се запалват кръстосано, когато контролите им са завъртени на "HIGH".

При настройка "High" пламъкът на горелката трябва да е дълъг приблизително 12-20 мм с минимален оранжев пламък. Завъртете регулатора на газта до край обратно на часовниковата стрелка за минимална настройка.

Ако имате затруднения при запалването на газовия грил, следвайки горните стъпки, свържете се с вашия дилър за съвет.

Ако автоматичното запалване не може да се използва, моля, отстранете решетката за готвене и топлинния разсейвател (котлона) и завъртете вентила обратно на часовниковата стрелка на 90°C, за да запалите със запалка за барбекю на разстояние 5 мм до отвора за огън на горелката. Заменете решетката за готвене и разсейвателя на топлината (котлона), моля, носете огнеупорни и топлоустойчиви ръкавици.

Предупреждение: Ако горелката все още не се запалва, завъртете копчето за управление на горелката в положение "OFF" (Искл.) и изчакайте 5 минути, за да се освободи газта, преди да запалите отново.

Съхранение

Газовата бутилка трябва да се съхранява на открито, на добре проветриво място и да се изключва от газовия грил, когато не се използва. Уверете се, че сте на открито и далеч от всякакви източници на запалване, преди да се опитате да изключите газовата бутилка от газовия грил. Когато използвате газовия си грил след определен период на съхранение, преди да го използвате, проверете за изтичане на газ и за препятствия в горелката и т.н. Също така следвайте инструкциите за почистване, за да сте сигурни, че газовият грил е безопасен. Ако газовият грил се съхранява на открито, проверете дали всички зони под предния панел са свободни от всякакви препятствия (насекоми и др.) Тази зона трябва да се поддържа свободна, тъй като това може да повлияе на потока на въздуха за горене или вентилация.

Инструкции за почистване

Препоръчва се поддръжка на всеки 90 дни за вашия газов грил, но е абсолютно необходимо да се извършва поддръжка поне веднъж годишно. По този начин ще удължите живота на газовия си грил.

Газовият ви грил се почиства лесно и с минимални усилия, просто следвайте тези полезни съвети за удобно почистване.

Отстраняване на неизправности		
Спешни случаи	Възможна причина	Превенция/решение
Изтичане на газ от напукан / прекъснат / изгорял маркуч.	Повреден маркуч.	Изключете газа в резервоара за LP, ако маркучът е прекъснат или напукан, го сменете. Вижте теста за водене на резервоара за LP и свързването на регулатора към LP.
Изтичане на газ от клапана на резервоара за LP.	Механична повреда, дължаща се на почивка или неправилно боравене.	Изключете вентила на резервоара за LP.
Изтичане на газ от клапана на резервоара за LP.	Повреда или повреда на клапана на резервоара поради неправилно боравене или механична повреда	Изключете вентила на резервоара за LP. Върнете резервоара за LP на доставчика на газ
Изтичане на газ между резервоара за втечнен газ и връзката на регулатора	Неправилен монтаж, недобре затегната връзка, повреда на гуменото уплътнение	Изключете вентила на резервоара за LP, извадете регулатора от бутилката и визуално проверете гуменото уплътнение за повреди, вж. тест на резервоара за LP и свързване на регулатора към резервоара за LP
Пожар през контролния панел	Пожар в тръбната секция на горелката поради частично запушване	Изключете копчетата за управление и вентила на резервоара за LP. След като огънят угасне и грилът изстине, извадете горелката и проверете дали няма паяжини или ръжда, вж. страниците за природни опасности и почистване на сглобката на горелката.
Запалване на мазнина или прекомерни пламъци над повърхността за готвене	Натрупване на твърде много мазнина в областта на горелката.	Изключете резервоара за LP. Оставете капака отворен, за да може пламъците да утихнат. След като се охлади, почистете частиците храна и излишната мазнина от вътрешната част на горивната камера, чашата/аницата/тавата за мазнина и други повърхности.
Горелката не се запалва с помощта на запалителя.	Проблеми с газа	
	1. Опит за запалване на грешна горелка	1. Вижте инструкциите на контролния панел и раздела в Употреба и грижи.
	2. Горелката не е свързана с управляващия вентил	2. Уверете се, че клапанът е разположен вътре в тръбите на горелката.
	3. Препятствие в горелката.	3. Уверете се, че тръбите на горелката не са запушени с паяжини или други
	4. Няма газов поток	4. Уверете се, че резервоарът за LP не е празен. Ако резервоарът за LP не е празен, обърнете внимание на внезапния спад на газовия поток.
Горелката не се запалва с помощта на запалителя.	Електрически проблеми	

	<ol style="list-style-type: none"> 1. Електродът е пукнат или счупен;" искри при пукнатината." 2. Върхът на електрода не е в правилна позиция 3. Жица и/или електрод, покрити с готвене остатъци. 4. Проводниците са разхлабени или разединени 5. Проводниците се късат (искрят) между запалителя и електрод. 6. Бутонът за натискане се придържа към дъното, което предизвиква искрене между запалителя и електрода 	<ol style="list-style-type: none"> 1. Сменете електрода. 2. Върхът на електрода трябва да е насочен към отвора на горелката. Разстоянието трябва да бъде от 1/8" до 3/16". Регулирайте, ако е необходимо. 3. Почистете проводника и/или електрода с алкохол и чист тампон. 4. Свържете отново проводниците или сменете сглобката електрод/проводник. 5. Заменете проводника на запалването 6. Замяна на запалителя 7. Проверете изолацията на проводника и правилното свързване. Ако изолацията е нарушена, сменете проводниците.
Горелката не се запалва	<ol style="list-style-type: none"> 1. Вижте "Проблеми с газа" на предишната страница. 2. Неправилен начин на запалване на мачове 	<ol style="list-style-type: none"> 1. Вижте раздел "Контрол на запалването на пилотния газ" за употреба и грижи.
Внезапно намаляване на газовия поток или слаб пламък	<ol style="list-style-type: none"> 1. Натрупване на грес. 2. Прекалено много мазнини в месото. 3. Прекалено висока температура на готвене 	<ol style="list-style-type: none"> 1. Почистете горелките и вътрешността на скарата/огнището 2. Изчистете мазнините от месото преди печене на скара. 3. Регулиране (понижаване) на температурата
Пламъците избухват	Силни или поривисти ветрове. Нисък разход на газ LP. Сработил е клапанът за прекомерен поток.	Обърнете предната част на грила към вятъра или увеличете височината на пламъка. Напълнете резервоара за втечнена течност. Вижте "внезапно намаляване на газовия поток" по-горе.
Устойчив пожар на мазнини	Мазнина, уловена от натрупана храна около системата на горелката.	Завъртете копчетата в положение OFF. Изключете газа в резервоара за LP. Оставете капака на място и оставете огъня да изгори. След като грилът изстине, свалете и почистете всички части.
Възпламеняване (пожар в тръбата(ите) на горелката)	Горелката и тръбите на горелката са блокирани	Завъртете копчетата на OFF, почистете горелката и/или тръбите на горелката. Вижте раздела за почистване на горелката в ръководството за употреба и грижи.
Възпламеняване	<ol style="list-style-type: none"> 1. Натрупване на грес. 2. Прекалено много мазнини в месото. 3. Прекалено висока температура на готвене 	<ol style="list-style-type: none"> 1. Почистете горелките и вътрешността на скарата/огнището 2. Изчистете мазнините от месото преди печене на скара. 3. Регулиране (понижаване) на температурата
Невъзможност за пълнене на резервоара за LP	Някои дилъри имат по-стари дюзи за пълнене с износени нишки.	Износените дюзи нямат достатъчно "захапка", за да действат клапана. Опитайте при втори търговец на LP.
Едната горелка не се запалва от другата(ите) горелка (и)	Натрупване на мазнина или хранителни частици в края на тръбата за пренос	Почистете тръбата за пренос с телена четка

Ако проблемът ви не е разрешен с помощта на горната информация, моля, свържете се с местния търговец на газ.

- Включете горелката за 15-20 минути. Уверете се, че уредът е студен, преди да продължите.
- Решетките трябва да се почистват периодично чрез накисване и измиване със сапунена вода.
- Вътрешните повърхности на капака на корпуса на грила също трябва да се измият с гореща сапунена вода. Използвайте телена четка, стоманена вълна или почистващ тампон, за да отстраните упоритите петна.
- Периодично проверявайте горелката, за да се уверите, че в нея няма насекоми и паяци, които могат да запушат газовата система, отклонявайки газовия поток. Почиствайте много внимателно тръбите Вентури на горелката, уверете се, че няма препятствия. Препоръчваме ви да използвате уред за почистване на тръби, за да почистите зоната на тръбите на Вентури.
- Всякакви модификации на този уред могат да бъдат опасни и не са разрешени.

Съвети за безопасност на газовия грил

Поставете газовия си грил на безопасна равна повърхност, далеч от запалими предмети, като дървени огради или надвиснали клони на дървета.

Никога не използвайте газовия си грил на закрито!

След като запалите газовия грил, не го премествайте и не го оставяйте без надзор. Дръжте децата и домашните любимци на безопасно разстояние от газовия грил.

Дръжте пожарогасител под ръка.

Газовият грил се нагорещява при работа, затова боравете с капаки и др. с помощта на ръкавици. Уверете се, че уредът е напълно изстинал, преди да го съхранявате. Използвайте само на открито!

Прочетете инструкциите, преди да използвате газовия грил.

Оценяемите части могат да бъдат много горещи, Пазете малки деца далеч! Не премествайте газовия грил по време на работа.

След употреба изключете подаването на газ от газовия контейнер.

Всяка модификация на уреда може да бъде опасна и не е разрешена. Център за поддръжка: моля, обърнете се към местните търговци за поддръжка на производството.

Varnostna navodila

Shranite ta navodila za uporabo za prihodnje potrebe!
TA PLINSKI ŽAR JE NAMENJEN SAMO ZA ZUNANJO UPORABO!

OPOZORILO: ZA VARNO IN PRAVILNO DELOVANJE PRIKLJUČITE ENOSMERNI REGULATOR TLAKA (NI PRILOŽEN).

Pomembno:

PRED UPORABO TE ENOTE PREBERITE VSA NAVODILA IN POSTOPKE. VSE KORAKE IZVAJAJTE PO VRSTNEM REDU. NIKOLI NE DOVOLITE OTROKOM, DA BI UPRAVLJALI TO ENOTO.

Opozorila:

Uporabljajte samo na prostem.

Pred uporabo naprave preberite navodila. Dostopni deli so lahko zelo vroči, poskrbite, da bodo majhni otroci na varnem. Med uporabo naprave ne premikajte.

Po uporabi zaprite dovod plina na plinski jeklenki.

Vsaka sprememba naprave je lahko nevarna.

Uporabnik ne sme spreminjati delov, ki jih je zapečatil proizvajalec ali njegov zastopnik. Naprave ne spreminjajte.

Pozornost:

Nekateri deli te naprave so zelo vroči, zato bodite še posebej previdni, če so prisotni otroci ali starejši ljudje.

Za vašo varnost:

V bližini te ali katere koli druge naprave ne shranjujte ali uporabljajte bencina ali metiliranih goriv ali drugih vnetljivih hlapov in tekočin.

Plinskega žara nikoli ne prižigajte z bencinom ali primerljivimi tekočinami!

Predlog: uporabnik ne sme spreminjati sklopa, ki ga je zapakiral proizvajalec.

Nekateri trgovci s tekočim plinom lahko napolnijo jeklenke s tekočim plinom za uporabo v žaru nad zmogljivostjo polnjenja jeklen. To "prekomerno polnjenje" lahko povzroči nevarno stanje. Pri "prevelikem polnjenju" jeklenk lahko nastane previsok tlak. Kot varnostna naprava bo razbremenilni ventil rezervoarja izpustil hlape plina, da bi sprostil ta prekomerni tlak. Ti hlapi so vnetljivi in se lahko vžgejo. Da bi zmanjšali to nevarnost, morate upoštevati naslednje varnostne ukrepe:

A. Pri polnjenju rezervoarja se prepričajte, da ste dobavitelju povedali, naj rezervoar napolni do največ 80 % njegove celotne prostornine.

B. Če imate ali uporabljate dodatno rezervno posodo ali imate odklopljeno posodo, je nikoli ne shranjujte v bližini ali pod enoto žara ali grelnim poljem ali v bližini katerega koli drugega vira vžiga ali toplote.

Nevarnosti:

Če začutite vonj po plinu:

1. Izklopite plin v napravi
2. Ugasnite vsak odprt plamen.
3. Odprt pokrov
4. Če se vonj nadaljuje, se oddaljite od naprave in pokličite lokalno gasilsko enoto.

Tehnični podatki				
	BBQ4100	BBQ3100	BBQ3000	BBQ2000
Osnovna značilnost	4 +1 plinski žar z gorilnikom	Plinski žar s 3+1 gorilnikom	Plinski žar s 3 gorilniki (brez stranskega gorilnika)	Plinski žar z 2 gorilniki (brez stranskega gorilnika)
Dimenzije	L129xŠ57xH110 cm	L122xŠ57xH110 cm	D120xŠ57xV102 cm	D106xŠ57xV102 cm
Površina žara	D69x Š45 cm	L60xŠ45 cm	L60xŠ45 cm	L45xŠ45 cm
Mreža	Lito železo z emajliranim premazom			Lito železo
Gorilnik in napajanje	Cevni gorilniki iz nerjavečega jekla, 3,6 kW na gorilnik, 2,7 kW na stranski gorilnik, skupaj 17,1 kW	Cevni gorilniki iz nerjavečega jekla, 3,6 kW na gorilnik, 2,7 kW na stranski gorilnik, skupaj 13,5 kW	Gorilniki iz nerjavečega jekla, 3,6 kW na gorilnik, Skupaj 10,8 kW	Gorilniki iz nerjavečega jekla, 3,6 kW na gorilnik, skupaj 7,2 kW
Posebne značilnosti	2 stranski kovinski polici, s kolesi, termometer INOX, stikala za samodejni vžig, odstranljiv zbiralnik maščobe, kovinska pokrivna plošča sprednje police (BBQ3000), 2 kovinska sprednja vrata (BBQ3100, BBQ4100)			
Regulator in cev	ni vključeno			

Opomba: -Dovolite postaviti ponev na stranski gorilnik. (Premer ponve je največ 24 cm in najmanj 8 cm).

Koraki za montažo

Prepričajte se, da je žar pravilno sestavljen. Vsakemu žaru so priložena podrobna navodila za sestavljanje, ki vsebujejo posebne postopke sestavljanja za vsak model. Natančno upoštevajte ta navodila, da zagotovite pravilno in varno montažo žara.

Pozor: Kljub temu, da si prizadevamo, da bi bil postopek montaže čim lažji, je za izdelane jeklene dele značilno, da lahko vogali in robovi pri nepravilnem ravnanju med postopkom montaže povzročijo ureznine. Pri ravnanju z vsemi deli med sestavljanjem bodite previdni. Močno priporočamo, da si roke zaščitite z delovnimi rokavicami.

Priprava

Za delovanje tega plinskega žara potrebujete plinsko jeklenko za utekočinjeni naftni plin in ustrezne regulatorje pod tlakom plina. Regulatorji morajo ustrezati standardu EN16129 z veljavno različico in nacionalnim predpisom.

Za nadaljnja navodila glejte točko 6.

Nasveti za varčevanje z energijo:

- Skrajšajte čas odpiranja pokrova.
- Žar izklopite takoj po končanem pečenju.
- Plinski žar segrevajte le 10 do 15 minut. (razen pri prvi uporabi)
- Ne segrevajte dlje, kot je priporočeno.
- Ne uporabljajte višje nastavitve, kot je potrebno.
- Priključite cev in regulator na posodo za plin na levi strani plinskega žara. Pri tem ne pozabite, da mora biti posoda za plin zaščitena pred vročino in na varnem mestu. Dimenzija cevi je premera 8-10 mm. Priporočena dolžina cevi ne sme presežati 1,5 m. Fleksibilna cev mora biti skladna z ustreznimi standardi in lokalnimi predpisi.

Namestitev

Po nakupu plinske jeklenke jo lahko namestite na plinski žar.

- Pri menjavi plinske jeklenke je treba to opraviti stran od vira vžiga. Plinsko jeklenko postavite na levo stran plinskega žara, ne sme biti nameščena v notranjosti žara, pri čemer ne smete pozabiti, da mora biti plinska jeklenka odmaknjena od vročine in v varnem položaju.
- Ko ste pripravljeni za uporabo plinskega žara, regulator vstavite v ventil plinske jeklenke in ga trdno zategnite.

Opozorilo: Preden poskušate prižgati plinski žar, si morate ogledati navodila za prižiganje in opozorilne/varnostne točke.

Pred vsako uporabo preverite cev in preverite, ali je razpokana, porezana ali odrgnjena. Če je cev kakor koli okvarjena, plinskega žara ne uporabljajte. Pri menjavi plinske jeklenke se prepričajte, da v bližini ni vira vžiga, tj. ognja, cigaret, odprtega ognja itd. Prepričajte se, da je naprava izklopljena. Pri namestitvi plinskega žara pazite, da se cev ne zvije, kar bo vplivalo na pretok plina. Cev tudi ne sme biti pretirano napeta in se ne sme dotikati nobenega dela plinskega žara, ki je lahko vroč.

- Izberite fleksibilno cev, katere toplotna odpornost je višja od 80°C.
- Prilagodljivo cevko je treba zamenjati vsaki 2 leti. Fleksibilno cev je treba zamenjati, ko to zahtevajo nacionalni pogoji.

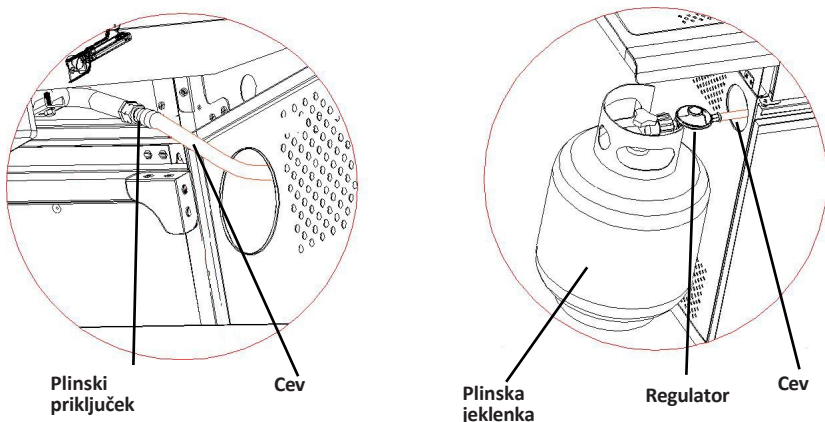
Kako zamenjati valj

Opomba: Izklopite stikalo cilindra (ključ ni potreben).

Višina plinske jeklenke je manjša od 80 cm, širina pa manjša od 35 cm.

Kako priključiti plinsko jeklenko

- Oranžni pokrovček obrnite tako, da puščica kaže na vrzel v pokrovu.
- Odstranite oranžni varnostni pokrovček tako, da povlečete vrstico in nato ven. Ne uporabljajte orodja. Kapico pustite viseti.
- Preverite, ali je črna tesnilna podložka nameščena v ventilu cilindra. Regulator priključite na ventil.
- Na plinski jeklenki obrnite stikalo v smeri urinega kazalca in nato vklopite plinski žar po navodilih.



*Za izdelek brez prostora za plinsko jeklenko.

Opozorilo: Vedno preverite tesnost plinovoda na priključku z milnico, ki zaključuje vse priključke.

Kako odklopiti plinsko jeklenko

- Razen pri dvovaljnih napravah s preklopnim ventilom zaprite plinsko pipo, če je nameščena na napravi. Počakajte, da ugasneta gorilnik in pilotna lučka. Pri napravah s preklopnim ventilom je treba izklopiti le prazno jeklenko.
- Na prazno jeklenko namestite oranžen varnostni pokrovček.

Opozorila in varnostne točke

Pred uporabo plinskega žara preberite naslednje točke:

- Pred uporabo naprave preberite navodila. Če navodil ne upoštevate, lahko pride do težav pri uporabi.
 - Dostopni deli tega plinskega žara so lahko med uporabo zelo vroči. Majhne otroke držite stran. Pri ravnanju s posebej vročimi sestavnimi deli uporabljajte zaščitno opremo.
 - V primeru uhajanja plina izklopite dovod plina na plinski jeklenki, pogasite vse odprte plamene, odprite pokrov in, če se uhajanje nadaljuje, preverite poškodbe, slabe povezave itd. Če težave ne morete odpraviti, se takoj obrnite na lokalnega prodajalca plina.
 - Plinskega žara med uporabo ne premikajte.
 - Med delovanjem plinskega žara v bližini ne uporabljajte ali shranjujte tekočin, hlapov ali drugih materialov.
 - Ta plinski žar lahko uporabljate samo na prostem.
 - Za preverjanje uhajanja plina ne uporabljajte odprtega plamena.
 - Plinskega žara ne uporabljajte, če plin uhaja. Izklopite dovod plina.
 - Če uporabljate plinski žar, ne poskušajte odklopiti nobenega dela plinske napeljave na plinskem žaru ali regulatorju plina/plinski jeklenki.
 - Pri upravljanju plinskega žara bodite previdni in ga med uporabo nikoli ne smete pustiti brez nadzora. Po uporabi izklopite dovod plina na plinski posodi.
 - Plinski žar je treba po uporabi očistiti. Ne zapirajte odprtine za ogenj v predelu za posodo. Če je odprtina za ogenj ovirana, uporabite okroglo palico $\Phi 1,6$ mm za poglobljanje.
- Pri čiščenju gorilnika ali ventilov pazite, da ne povečate odprtin gorilnika ali odprtine za odprtine/prispevke.
- Naprave ne uporabljajte v garaži ali katerem koli zaprtem prostoru. Prav tako mora biti ta naprava med uporabo odmaknjena od vnetljivih materialov itd. Priporočamo, da je razdalja med vnetljivimi materiali vsaj 0,5 do 1,0 metra.
 - Priporočamo, da plinski žar vsaj enkrat letno servisira usposobljen inženir v lokalni prodajalni plina. Te naprave ne poskušajte servisirati sami.
 - Vsaka sprememba naprave je lahko nevarna. Ne poskušajte nepooblaščen posegati v glavne upravljalne elemente tega plinskega žara, tj. v plinske pipe, injektorje, ventile itd.



OPOZORILO: Črni del ročaja (glej zgornjo sliko za referenco) Ko uporabljate plinski žar, bo postal vroč, zato bodite previdni! Ne dotikajte se črnega območja.

Varnostni ukrepi

- Po priključitvi plinovoda vedno z milnico preverite, ali plinovod na priključku pušča.
- Pri prižiganju gorilnika mora biti zgornji pokrov vedno odprt.
- Pri pripravi jedi na žaru uporabljajte rokavice in trpežno orodje za plinski žar z dolgimi ročaji.
- Bodite pripravljeni na nesrečo ali požar. Vedite, kje sta komplet prve pomoči in gasilni aparati, ter jih znate uporabljati.
- Električni napajalni kabel in cev za dovod goriva hranite stran od vseh segreth površin.
- Vedno kuhajte zelo previdno.
- Na žaru ne segrevajte nobene neodprte steklene ali kovinske posode s hrano. V posodi lahko nastane pritisk, ki lahko povzroči njeno razpočenje, kar lahko povzroči hude telesne poškodbe ali poškodbe žara.

Navodila za uporabo

Pozor: Pri prižiganju gorilnika mora biti pokrov odprt!
Pri prižiganju plinskega žara ne stojte z obrazom neposredno nad njim.

Plinski žar ima naslednji način vžiga:

Pilotni vžig (glavni gorilnik ali glavni gorilnik s stranskim gorilnikom): Pri vseh plinskih regulatorjih na plinskem žaru v položaju "OFF" obrnite plinski ventil na regulatorju v položaj "ON". Za ustvarjanje iskre morate pritisniti na regulacijski gumb (A) in ga v tem položaju držati 3-5 sekund, da se omogoči pretok plina, nato pa ga obrnite v nasprotni smeri urinega kazalca na "HIGH" (B). Iskra lahko pride do cevi za prižig gorilnika (C). Slišali boste "prasketanje" vžigalnika in videli boste tudi oranžen plamen, ki prihaja iz cevi za osvetlitev gorilnika na levi strani gorilnika (D).

Po zaskoku še dve sekundi držite gumb za upravljanje gorilnika pritisnjen, da plin popolnoma steče po cevi gorilnika (E) in se vžge.

Ko je gorilnik prižgan, se sosednji gorilniki prižgejo navzkrižno, ko so njihovi upravljalniki obrnjeni na "HIGH".

Pri nastavitvi "High" mora biti plamen gorilnika dolg približno 12-20 mm z najmanj oranžnim plamenom. Za minimalno nastavitve zavrtite regulator plina do konca v nasprotni smeri urinega kazalca.

Če imate težave pri prižiganju plinskega žara po zgornjih korakih, se za nasvet obrnite na prodajalca.

Če samodejnega vžiga ni mogoče uporabiti, odstranite rešetko za kuhanje in razpršilec toplote (kuhalno ploščo) ter obrnite ventil v nasprotni smeri urinega kazalca na 90 °C in prižgite z vžigalnikom BBQ na razdalji 5 mm od odprtine za gorilnik. Zamenjajte rešetko za kuhanje in razpršilnik toplote (kuhalno ploščo) ter si nadenite ognjevarne in toplotno odporne rokavice.

Opozorilo: Če se gorilnik še vedno ne prižge, obrnite gumb za upravljanje gorilnika na "OFF" in počakajte 5 minut, da se plin sprosti, preden ponovno prižgete gorilnik.

Shranjevanje

Plinsko jeklenko je treba hraniti na prostem, na dobro prezračenem prostoru, in ko je ne uporabljate, jo je treba odklopiti od plinskega žara. Prepričajte se, da ste na prostem in stran od virov vžiga, preden poskušate plinsko steklenico odklopiti od plinskega žara.

Ko uporabljate plinski žar po obdobju skladiščenja, pred uporabo preverite, ali plin uhaja, preverite, ali so gorilniki ovirani itd. Prav tako upoštevajte navodila za čiščenje, da zagotovite varnost plinskega žara.

Če je plinski žar shranjen na prostem, preverite, ali so vsa območja pod sprednjo ploščo brez ovir (žuželk itd.) T o območje mora biti prosto, saj lahko vpliva na pretok zraka za zgorevanje ali prezračevanje.

Navodila za čiščenje

Priporočljivo je, da plinski žar vzdržujete vsakih 90 dni, vendar je vzdrževanje nujno potrebno vsaj enkrat letno. S tem boste podaljšali življenjsko dobo plinskega žara.

Plinski žar je enostavno očistiti z minimalnim naporom, zato upoštevajte te koristne nasvete za udobno čiščenje.

Odpravljanje težav		
Izredne razmere	Možen vzrok	Preprečevanje/rešitev
Plin uhaja iz razpokane, prerezane ali zažgane cevi.	Poškodovana cev.	Izklopite plin na rezervoarju za utekočinjen naftni plin, če je cev prerezana ali razpokana, zamenjajte cev. Oglejte si test vodnika rezervoarja za LP in priključitev regulatorja na LP.
Plin uhaja iz ventila rezervoarja za utekočinjen naftni plin.	Mehanska okvara zaradi počitka ali nepravilnega ravnanja.	Izklopite ventil rezervoarja za utekočinjen naftni plin.
Plin uhaja iz ventila rezervoarja za utekočinjen naftni plin.	Okvara ali ventil rezervoarja zaradi nepravilnega ravnanja ali mehanske okvare	Izklopite ventil rezervoarja za utekočinjen naftni plin. Rezervoar za utekočinjen naftni plin vrnite dobavitelju plina.
Plin uhaja med rezervoarjem za utekočinjen naftni plin in priključkom regulatorja	Neustrezna namestitev, netesen priključek, okvara gumijastega tesnila	Izklopite ventil rezervoarja za utekočinjen naftni plin, odstranite regulator z jeklenke in vizualno preverite, ali je gumijasto tesnilo poškodovano, glejte Test rezervoarja za utekočinjen naftni plin in priključitev regulatorja na rezervoar za utekočinjen naftni plin
Ogenj, ki prihaja skozi nadzorno ploščo	Požar v delu cevi gorilnika zaradi delne zamašitve	Izklopite krmilne gumbe in ventil rezervoarja za utekočinjen naftni plin. Ko ogenj ugasne in se žar ohladi, odstranite gorilnik in preverite, ali so v njem gnezda pajkov ali rja, glejte strani Naravne nevarnosti in Čiščenje sklopa gorilnika.
Ogenj maščobe ali prevelik plamen nad površino za kuhanje	V območju gorilnika se je nabralo preveč maščobe.	Izklopite rezervoar za utekočinjen naftni plin. Pokrov pustite odprt, da se plameni umirijo. Po ohladitvi očistite delce hrane in odvečno maščobo z notranjosti kurišča, posodjice za maščobo in drugih površin.
Gorilnik se ne prižge z vžigalnikom.	Težave s plinom	
	1. Poskus vžiga napačnega gorilnika	1. Oglejte si navodila na nadzorni plošči in poglavje v Uporaba in nega.
	2. Gorilnik ni povezan z regulacijskim ventilom	2. Prepričajte se, da so ventili nameščeni znotraj cevi gorilnika.
	3. Ovira v gorilniku.	3. Prepričajte se, da cevi gorilnika niso ovirane s pajčevino ali drugimi
	4. Ni pretoka plina	4. Prepričajte se, da rezervoar za utekočinjen naftni plin ni prazen. Če rezervoar za utekočinjen naftni plin ni prazen, glejte nenaden padec pretoka plina.
Gorilnik se ne prižge z vžigalnikom.	Električne težave	

	<ol style="list-style-type: none"> 1. Elektroda je razpokana ali zlomljena;" iskre ob razpoki." 2. Konica elektrode ni v pravilnem položaju 3. Žica in/ali elektroda, prekrita s kuhanjem ostanki. 4. Žice so zrahljane ali odklopljene. 5. Žice med vžigalnikom so kratke (iskre) in elektrodo. 6. Gumb se drži na dnu in se iskri med vžigalnikom in elektrodo 	<ol style="list-style-type: none"> 1. Zamenjajte elektrodo. 2. Konica elektrode mora biti usmerjena proti odprtini v gorilniku. Razdalja mora biti od 1/8" do 3/16". Po potrebi prilagodite. 3. Žico in/ali elektrodo očistite z alkoholom in čistim tamponom. 4. Ponovno povežite žice ali zamenjajte sklop elektrode/žice. 5. Zamenjajte žico vžigalnika 6. Zamenjajte vžigalnik 7. Preverite izolacijo žice in pravilno povezavo. Če je izolacija poškodovana, žice zamenjajte.
Gorilnik se ne prižge	<ol style="list-style-type: none"> 1. Glejte "težave s plinom" na prejšnji strani. 2. Nepravilen način prižiganja vžigalic 	<ol style="list-style-type: none"> 1. Glejte poglavje "Pilotni vžig plina" o uporabi in nego.
Nenaden padec pretoka plina ali nizek plamen	<ol style="list-style-type: none"> 1. Nakopičena maščoba. 2. Preveč maščobe v mesu. 3. Previsoka temperatura kuhanja 	<ol style="list-style-type: none"> 1. Očistite gorilnike in notranjost žara/ognjišča 2. Pred peko na žaru z mesa odstranite maščobo. 3. Prilagodite (zničajte) temperaturo
Flames odpihniti	Močan ali sunkovit veter. Pomanjkanje plina LP. Ventil za prevelik pretok se je sprožil.	Obrnite sprednji del žara proti vetru ali povečajte višino plamena. Napolnite rezervoar za utekočinjen naftni plin. Glej "nenaden padec pretoka plina" zgoraj.
Trajni požar maščobe	Maščoba, ki se je ujela zaradi nakopičene hrane okoli sistema gorilnika.	Obrnite gume v položaj OFF. Izklopite plin na rezervoarju za utekočinjen naftni plin. Pustite pokrov na mestu in pustite, da ogenj ugasne. Ko se žar ohladi, odstranite in očistite vse dele.
Povratni udarec (požar v ceveh gorilnika)	Gorilnik in cevi gorilnika so blokirane	Obrnite gume na OFF, očistite gorilnik in/ali cevi gorilnika. Glej poglavje o čiščenju gorilnika v priložnici za uporabo in nego.
Izbruh	<ol style="list-style-type: none"> 1. Nakopičena maščoba. 2. Preveč maščobe v mesu. 3. Previsoka temperatura kuhanja 	<ol style="list-style-type: none"> 1. Očistite gorilnike in notranjost žara/ognjišča 2. Pred peko na žaru z mesa odstranite maščobo. 3. Prilagodite (zničajte) temperaturo
Ni mogoče napolniti rezervoarja za utekočinjen naftni plin	Nekateri trgovci imajo starejše polnilne šobe z obrabljenimi niti.	Obrabljene šobe nimajo dovolj "ugriza", da bi se zataknilo pri ventilu. Poskusite pri drugem prodajalcu LP.
En gorilnik se ne prižge zaradi drugih gorilnikov	Nabiranje maščob ali delcev hrane na koncu cevi za prenos	Cev za prenos očistite z žično krtačo

Če na podlagi zgornjih informacij težava ni odpravljena, se obrnite na lokalnega prodajalca plina.

- Vklopite gorilnik za 15 do 20 minut. Pred nadaljevanjem se prepričajte, da je naprava hladna.
- Rešetke je treba občasno očistiti z namakanjem in pranjem v milnici.
- Z vročo milnico operite tudi notranje površine pokrova ohišja žara. Za odstranjevanje trdovratnih madežev uporabite žično krtačo, jekleno volno ali čistilno blazinico.
- Občasno preverite, ali v gorilniku ni žuželk in pajkov, ki lahko zamašijo plinski sistem in s tem onemogočijo pretok plina. Zelo natančno očistite Venturijeve cevi na gorilniku in se prepričajte, da ni nobenih ovir. Priporočamo, da za čiščenje območja Venturijeve cevi uporabite čistilec cevi.
- Kakršne koli spremembe te naprave so lahko nevarne in niso dovoljene.

Varnostni nasveti za plinski žar

Plinski žar postavite na varno ravno površino, stran od vnetljivih predmetov, kot so lesene ograje ali previsne drevesne veje. Plinskega žara nikoli ne uporabljajte v zaprtih prostorih!

Ko je plinski žar prižgan, ga ne premikajte in ne puščajte brez nadzora. Otroke in domače živali držite v varni razdalji od plinskega žara. Pri roki imejte gasilni aparat.

Plinski žar je med uporabo vroč, zato s pokrovi itd. ravnajte z rokavicami. Pred shranjevanjem poskrbite, da se naprava popolnoma ohladi.

Uporabljajte samo na prostem!

Pred uporabo plinskega žara preberite navodila.

Ocenljivi deli so lahko zelo vroči, Majhne otroke držite stran!

Plinskega žara med uporabo ne premikajte.

Po uporabi izklopite dovod plina na plinski posodi.

Vsaka sprememba naprave je lahko nevarna in ni dovoljena. Vzdrževalni center: za vzdrževanje proizvodnje se obrnite na lokalne prodajalce.

AVERTISMENT
NOTIFICARE IMPORTANTĂ

1. Pentru o funcționare sigură și corectă, utilizați numai butelii de GPL destinate uzului casnic care sunt echipate ~~cu~~ **supapă** de siguranță. De asemenea, trebuie să conectați regulatorul de joasă presiune 30mbar (nu este reglabil) cu supapabuteliei și cu furtunul special pentru aparate GPL, având grijă să nu apară scurgeri sau deteriorări ale circuitului.
2. Filetele regulatorului de presiune sunt în sens invers acelor de ceasornic.
3. Nu lăsați niciodată și sub nicio formă grătarul nesupravegheat.
4. Dacă se creează multe flăcări care nu se sting de la sine, închideți butelia de gaz. Dacă lăsați focul să ardă, atunci există posibilitatea ca vopseaua grătarului să se ardă. Înainte de fiecare încălzire trebuie să fi curățat de grăsimi colectorul de grăsimi, disipatoarele de căldură (aprinzătoarele de flacără) și restul grătarului, deoarece acestea se pot aprinde și distruge grătarul.
5. Disipatoarele de căldură (aprinzătoarele) trebuie curățate după fiecare utilizare, precum și tava de colectare a grăsimii, prin scufundare în apă fierbinte cu lichid de spălat vase. Nu răzuți suprafețele atunci când au grăsimi lipite, deoarece vopseaua acestora se descompune.
6. În cazul creării extinse de flăcări cauzate de grăsimi în disipatoarele de căldură (tuburi de flacără) poate apărea deteriorarea colorantului porce- lain.
7. Dacă modelul pe care l-ați achiziționat are grătare turnate, nu turnați apă rece când este încă fierbinte, deoarece se poate sparge.
8. Nu utilizați lichide caustice sau spray-uri de curățare.
9. Citiți cu atenție instrucțiunile!
10. Orice deteriorare cauzată de nerespectarea celor de mai sus sau de nerespectarea curățării periodice necesare nu va fi acoperită de garanție.

UPOZORENJE
VAŽNA OBAVIJEST

1. Za siguran i pravilan rad koristite samo cilindre UNP-a namijenjene za kućnu uporabu koji su opremljeni sigurnosnim ventilom. Također, trebali biste spojiti regulator niskog tlaka 30mbar (koji se ne može podesiti) s ventilom boce i posebnim crijevom za LPG uređaje pazeći da ne dođe do curenja ili oštećenja kruga.
2. Navoji regulatora tlaka su u smjeru suprotnom od kazaljke na satu.
3. Nikada i ni pod kojim uvjetima ne smijete ostaviti roštilj bez nadzora.
4. Ako se stvori mnogo plamena koji se sami ne gase, zatvorite plinsku bocu. Ako pustite da vatra izgori, postoji mogućnost da će boja roštilja izgorjeti. Prije svakog zagrijavanja trebali ste očistiti sakupljač masti, rasipače topline (krotitelje plamena) i ostatak roštilja od masti, jer se mogu zapaliti i uništiti roštilj.
5. Rasipači topline (krotitelji plamena) moraju se očistiti nakon svake uporabe, kao i posuda za sakupljanje masti uranjanjem u vruću vodu tekućinom za pranje posuđa. Nemojte strugati površine kada imaju lijepljene masti jer im se boja raspada.
6. U slučaju opsežnog stvaranja plamena uzrokovanog mastima u rasipačima topline (plamenim cijevima) može doći do pogoršanja porculanske boje.
7. Ako model koji ste kupili ima odbačene roštilje, nemojte sipati hladnu vodu dok je još vruća jer se može slomiti.
8. Ne koristite kaustične tekućine ili sprejeve za čišćenje.
9. Pažljivo pročitajte upute!
10. Bilo kakva šteta uzrokovana nepoštivanjem gore navedenog ili nepoštivanjem potrebnog redovitog čišćenja neće biti pokrivena jamstvom.

Instrucțiuni de siguranță

Vă rugăm să păstrați acest manual de instrucțiuni pentru referințe viitoare!
ACEST GRĂȚAR PE GAZ ESTE PROIECTAT NUMAI PENTRU UTILIZARE ÎN AER LIBER!

AVERTISMENT: PENTRU O FUNCȚIONARE SIGURĂ ȘI CORECTĂ, ASIGURAȚI-VĂ CĂ CONECTAȚI UN REGULATOR DE PRESIUNE UNIDIREȚIONAL (NU ESTE INCLUS).

Important:

CITIȚI TOATE INSTRUCȚIUNILE ȘI OPERAȚIUNILE ÎNAINTE DE A UTILIZA ACEASTĂ UNITATE. URMAȚI TOȚI PAȘII ÎN ORDINE. NU PERMITEȚI NICIODATĂ COPIILOR SĂ OPERAZE ACEASTĂ UNITATE.

Avertismente:

Se utilizează numai în aer liber.

Citiți instrucțiunile înainte de a utiliza aparatul. Părțile accesibile pot fi foarte fierbinți, țineți copiii mici la distanță.

Nu mutați aparatul în timpul utilizării.

Închideți alimentarea cu gaz la butelia de gaz după utilizare. Orice modificare a aparatului poate fi periculoasă.

Piese sigilate de către producător sau de către agentul acestuia nu trebuie să fie modificate de către utilizator. Nu modificați aparatul.

Atenție:

Unele părți ale acestui aparat devin foarte fierbinți, aveți grijă deosebită atunci când sunt prezenți copii sau persoane în vârstă.

Pentru siguranța dumneavoastră:

Nu depozitați și nu utilizați benzină sau combustibili metilici sau orice alți vapori și lichide inflamabile în apropierea acestui aparat sau a oricărui alt aparat. Nu aprindeți niciodată un grătar pe gaz cu benzină sau lichide comparabile!

Sugestie: utilizatorul nu ar trebui să schimbe ansamblul pe care producătorul l-a ambalat.

Anumiți distribuitori de gaze lichide pot umple buteliile de gaz lichid pentru a fi utilizate în grătar dincolo de capacitatea de umplere a buteliilor. Această "supraumplere" poate crea o situație periculoasă. "Supraumplerea" rezervoarelor poate acumula presiune excesivă. Ca dispozitiv de siguranță, supapa de suprapresiune a rezervoarelor va evacua vaporii de gaz pentru a reduce acest exces de presiune. Acești vapori sunt combustibili și, prin urmare, se pot aprinde. Pentru a reduce acest pericol, trebuie să luați următoarele măsuri de siguranță:

A. Atunci când vă umpleți rezervorul, asigurați-vă că îi spuneți furnizorului să nu umpleți rezervorul la mai mult de 80% din capacitatea sa totală.

B. Dacă dețineți sau folosiți un rezervor de rezervă suplimentar sau aveți un rezervor deconectat, nu trebuie să îl depozitați niciodată în apropierea sau sub unitatea de grătar sau sub cutia de căldură sau în apropierea oricărei alte surse de aprindere sau de căldură.

Pericole:

Dacă simțiți miros de gaz:

1. Închideți gazul la aparat
2. Stingeți orice flacără deschisă
3. Deschideți capacul
4. Dacă mirosul continuă, îndepărtați-vă de aparat și sunați la departamentul local de pompieri

Date tehnice				
	BBQ4100	BBQ3100	BBQ3000	BBQ2000
Caracteristica de bază	Grătar cu gaz cu 4 +1 arzătoare	Grătar pe gaz cu 3+1 arzătoare	Grătar cu gaz cu 3 arzătoare (fără arzător lateral)	Grătar cu gaz cu 2 arzătoare (fără arzător lateral)
Dimensiuni	L129xL57xH110 cm	L122xL57xH110 cm	L120xL57xH102 cm	L106xL57xH102 cm
Suprafața grătarului	L69x L45 cm	L60xL45 cm	L60xL45 cm	L45xL45 cm
Rețea	Fontă cu strat de email			Fontă
Arzător și putere	Arzătoare tubulare din oțel inoxidabil, 3,6 kW pe arzător, 2,7 kW pe arzător lateral, total 17,1 kW	Arzătoare tubulare din oțel inoxidabil, 3,6 kW pe arzător, 2,7 kW pe arzător lateral, total 13,5 kW	Arzătoare cu tuburi din oțel inoxidabil, 3,6 kW pe arzător, Total 10,8 kW	Arzătoare cu tuburi din oțel inoxidabil, 3,6 kW pe arzător, total 7,2 kW
Caracteristici specifice	2 rafturi metalice laterale, cu roți, termometru INOX, întrerupătoare de autoaprindere, colector de grăsime detașabil, panou metalic de acoperire a raftului frontal (BBQ3000), 2 uși frontale metalice (BBQ3100, BBQ4100)			
Regulator și furtun	nu este inclus			

Observație: -SB înseamnă cu arzător lateral; permiteți să puneți o tigare pe arzătorul lateral. (Diametrul tigăii este de max. Φ 24cm și min. \times Φ 8cm).

Etapele de montare

Asigurați-vă că grătarul dvs. este asamblat corect. Instrucțiuni detaliate de asamblare sunt ambalate împreună cu fiecare grătar, oferind proceduri de asamblare specifice pentru fiecare model. Urmăți cu atenție aceste instrucțiuni pentru a asigura asamblarea corectă și sigură a grătarului.

Atenție: Deși depunem toate eforturile pentru a ne asigura că procesul de asamblare este cât mai ușor posibil, este inerent în cazul pieselor din oțel fabricate că colțurile și marginile pot provoca tăieturi dacă sunt manipulate necorespunzător în timpul procedurilor de asamblare. Aveți grijă la manipularea oricăror piese în timpul asamblării. Se recomandă cu tărie să vă protejați mâinile cu o pereche de mănuși de lucru.

Pregătire

Veți avea nevoie de o butelie de gaz GPL și de reglatoare adecvate sub presiunea gazului pentru a folosi acest grătar cu gaz. Reglatoarele trebuie să fie conforme cu EN16129 cu versiunea actuală și cu reglementările naționale.

A se vedea punctul 6 pentru instrucțiuni suplimentare.

Sfaturi pentru economisirea energiei:

- Reduceți timpul de deschidere a capacului.
- Opriti grătarul imediat ce se termină gătitul.
- Preîncălziți grătarul cu gaz doar 10 până la 15 minute. (Cu excepția primei utilizări)
- Nu preîncălziți mai mult decât se recomandă.
- Nu utilizați o setare mai mare decât cea necesară.
- Conectați furtunul și regulatorul la rezervorul de gaz din partea stângă a grătarului cu gaz. Țineți cont de faptul că rezervorul de gaz trebuie ținut la distanță de căldură și într-o poziție sigură. Dimensiunea furtunului este de 8-10 mm diametru. Lungimea recomandată a furtunului care nu trebuie să depășească 1,5 m. Furtunul flexibil trebuie să fie în conformitate cu standardul relevant și codul local.

Instalare

După ce ați cumpărat butelia de gaz, veți fi gata să o configurați cu grătarul dumneavoastră pe gaz.

- Atunci când se schimbă butelia de gaz, aceasta se efectuează departe de orice sursă de aprindere. Poziționați butelia de gaz în partea stângă a grătarului dvs. cu gaz, nu trebuie plasată în interiorul grătarului, ținând cont de faptul că butelia trebuie să fie ținută departe de căldură și într-o poziție sigură.
- Când sunteți gata să folosiți grătarul cu gaz, introduceți regulatorul în supapa buteliei de gaz și strângeți-l bine.

Avertisment: Înainte de a încerca să aprindeți grătarul pe gaz, trebuie să consultați instrucțiunile de aprindere și punctele de avertizare / siguranță.

Verificați furtunul înainte de fiecare utilizare, căutând crăpături, tăieturi sau abraziuni. Dacă se constată că furtunul este defect în vreun fel, nu încercați să folosiți grătarul cu gaz. Când schimbați butelia de gaz, asigurați-vă că nu există surse de aprindere în apropiere, de exemplu, focuri, țigări, flăcări goale etc. Asigurați-vă că aparatul este oprit.

Asigurați-vă că furtunul nu este supus răsucirii, ceea ce va afecta fluxul de gaz atunci când instalați grătarul cu gaz. De asemenea, furtunul nu trebuie să aibă o tensiune nejustificată și nu trebuie să atingă nicio parte a grătarului cu gaz care ar putea fi fierbinte.

- Vă rugăm să alegeți furtunuri flexibile a căror rezistență la căldură este mai mare de 80 °C.
- Tubul flexibil trebuie schimbat la fiecare 2 ani. Este necesar să se schimbe tubul flexibil atunci când condițiile naționale o cer.

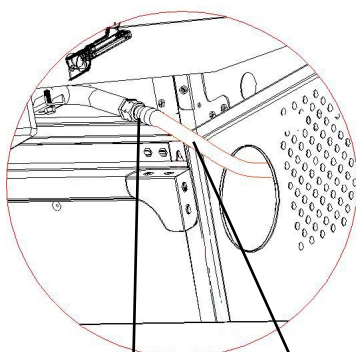
Cum să vă schimbați cilindrul

Notă: Opriti întrerupătorul cilindrului (nu este necesară o cheie)

Înălțimea buteliei de gaz este sub 80 cm, iar lățimea este de 35 cm.

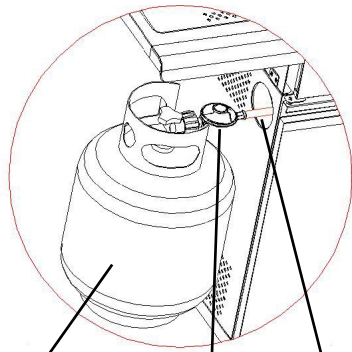
Cum se conectează o butelie de gaz

- Întoarceți capacul portocaliu astfel încât săgeata să fie îndreptată spre spațiul liber din carcasă.
- Îndepărtați capacul de siguranță portocaliu trăgând de șnurul de siguranță, apoi în afară. Nu utilizați unelte. Lăsați capacul agățat.
- Verificați dacă șaiba neagră de etanșare este montată în interiorul supapelor cilindrului. Conectați regulatorul la supapă.
- Rotiți comutatorul în sensul acelor de ceasornic pe butelia de gaz-apoi porniți grătarul cu gaz conform instrucțiunilor.



Conector de gaz

Furtun



Butelie de gaz

Regulator

Furtun

*Doar pentru produsul fără compartiment pentru butelia de gaz.

Avertisment: Testați întotdeauna linia de gaz pentru scurgeri la conector cu apă săpunată, finisând toate conexiunile.

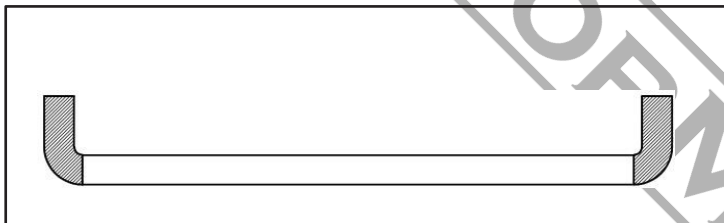
Cum se deconectează o butelie de gaz

- Cu excepția instalațiilor cu doi cilindri cu o supapă de comutare, închideți robinetul de gaz, dacă este montat pe aparat. Așteptați până când arzătorul și lumina pilotă se sting. În cazul instalațiilor cu supapă de comutare, este necesar să opriți doar butelia goală.
- Puneți din nou capacul portocaliu de siguranță pe butelia goală.

Puncte de avertizare și de siguranță

Vă rugăm să citiți următoarele puncte înainte de a utiliza grătarul pe gaz:

- Citiți instrucțiunile înainte de a utiliza aparatul. Dacă instrucțiunile nu sunt respectate, acestea pot cauza probleme în timpul utilizării.
- Părțile accesibile ale acestui grătar cu gaz pot fi foarte fierbinți atunci când este utilizat. Țineți copiii mici la distanță. Folosiți măsuri de protecție atunci când manipulați componente deosebit de fierbinți.
- În cazul unei scurgeri de gaz, opriți alimentarea cu gaz de la butelia de gaz, stingeți orice flacără deschisă, deschideți capacul și, dacă scurgerea continuă, verificați dacă există deteriorări, conexiuni necorespunzătoare etc. Contactați imediat distribuitorul local de gaze dacă problema nu poate fi rezolvată.
- Nu mișcați grătarul pe gaz în timpul utilizării.
- Nu folosiți și nu depozitați lichide, vapori sau alte materiale în apropiere atunci când folosiți grătarul cu gaz.
- Acest grătar cu gaz trebuie utilizat numai în aer liber.
- Nu folosiți flacăra goală pentru a verifica dacă există scurgeri de gaz.
- Nu folosiți grătarul cu gaz dacă există o scurgere de gaz. Închideți alimentarea cu gaz.
- Nu încercați să deconectați nicio piesă de racordare a gazului dacă se utilizează grătarul cu gaz, pe grătarul cu gaz sau pe regulatorul/buteliile de gaz.
- Se recomandă să aveți grijă atunci când folosiți grătarul pe gaz, nu trebuie să îl lăsați niciodată nesupravegheat atunci când este utilizat. Închideți alimentarea cu gaz la rezervorul de gaz după utilizare.
- Grătarul cu gaz trebuie curățat după utilizare. Nu obstrucționați deschiderea focului din compartimentul recipientului. Dacă deschiderea focului este obstrucționată, vă rugăm să folosiți un băț rotund de $\Phi 1,6$ mm pentru a draga. Aveți grijă să nu lărgiți orificiile arzătorului sau deschiderile orificiilor/ duzelor atunci când curățați arzătorul sau supapele.
- Nu încercați să utilizați acest aparat într-un garaj sau în orice altă zonă închisă. De asemenea, acest aparat trebuie ținut departe de materiale inflamabile în timpul utilizării etc. Vă recomandăm să păstrați o distanță de cel puțin 0,5 până la 1,0 metri față de orice materiale inflamabile.
- Vă recomandăm ca acest grătar pe gaz să fie întreținut de către un tehnician competent la un punct de vânzare cu amănuntul de gaz local, cel puțin o dată pe an. Nu încercați să efectuați singuri întreținerea acestui aparat.
- Orice modificare a aparatului poate fi periculoasă. Nu încercați să interveniți în mod neautorizat asupra comenzilor principale ale acestui grătar pe gaz, adică robinete de gaz, injectoare, supape etc.



**AVERTISMENT: Zona neagră a mânerului (a se vedea imaginea de mai sus pentru referință)
Va deveni fierbinte atunci când grătarul cu gaz este în uz, ATENȚIE! Nu atingeți zona neagră.**

Măsuri de siguranță

- Testați întotdeauna conducta de gaz cu apă cu săpun pentru a vedea dacă există scurgeri la racord cu apă cu săpun după efectuarea conexiunilor.
- Capacul superior trebuie să fie întotdeauna deschis atunci când se aprinde arzătorul.
- Folosiți mănuși pentru cuptor și unelte de grătar cu gaz cu mâner lung și robust atunci când gătiți pe grătar.
- Fiți pregătiți în cazul în care se produce un accident sau un incendiu. Știți unde se află trusa de prim ajutor și stingătoarele de incendiu și știți cum să le folosiți.
- Țineți cablul de alimentare electrică și furtunul de alimentare cu combustibil departe de orice suprafață încălzită.
- Gătiți întotdeauna cu mare grijă.
- Nu încălziți pe grătar niciun recipient de sticlă sau metal nedeschis cu alimente. Presiunea se poate acumula și poate provoca spargerea recipientului, ceea ce poate duce la vătămări corporale grave sau la deteriorarea grătarului.

Instrucțiuni de utilizare

Atenție: Capacul trebuie să fie deschis atunci când se aprinde arzătorul!

Nu stați cu fața direct deasupra grătarului cu gaz atunci când îl aprindeți.

Grătarul dumneavoastră pe gaz va avea următoarea metodă de aprindere:

Aprinderea comenzii pilot a gazului (arzătorul principal sau arzătorul principal cu arzător lateral): Cu toate comenzile de gaz de pe grătarul cu gaz în poziția "OFF" (oprit) "OFF" (oprit), rotiți robinetul buteliei de gaz în poziția pornit la regulator. Pentru a crea o scânteie, trebuie să apăsați butonul de control (A) și să îl mențineți în această poziție timp de 3-5 secunde pentru a permite fluxul de gaz și apoi să îl rotiți în sens invers acelor de ceasornic la "HIGH" (B). Se poate produce o scânteie la tubul de aprindere a arzătorului (C). Veți auzi un "pocnet" de la aprinzător și veți vedea, de asemenea, o flacără portocalie ieșind din tubul de iluminare a arzătorului din partea stângă a arzătorului (D).

Continuați să țineți apăsat butonul de control al arzătorului timp de două secunde după "pocnitură", acest lucru va permite gazului să curgă complet pe tubul arzătorului (E) și va asigura aprinderea.

Când arzătorul este aprins, arzătoarele adiacente se vor aprinde în cruce atunci când comenzile lor sunt puse pe "HIGH".

La setarea "High", flacăra arzătorului trebuie să aibă o lungime de aproximativ 12-20 mm, cu o flacără de culoare portocalie. Rotiți butonul de control al gazului complet în sens invers acelor de ceasornic pentru setarea minimă.

În cazul în care întâmpinați dificultăți în aprinderea grătarului cu gaz în urma pașilor de mai sus, contactați dealerul pentru sfaturi.

Dacă nu se poate folosi aprinderea automată, vă rugăm să scoateți grila de gătit și difuzorul de căldură (placa de încălzire) și să rotiți supapa în sens invers acelor de ceasornic la 90°C pentru a aprinde cu bricheta BBQ la o distanță de 5 mm de gaura de foc a arzătorului. Înlocuiți grătarul de gătit și difuzorul de căldură (placa de încălzire), vă rugăm să purtați mănuși ignifuge și rezistente la căldură.

Avertisment: Dacă arzătorul tot nu se aprinde, rotiți butonul de control al arzătorului la "OFF" și așteptați 5 minute pentru a lăsa gazul să se elibereze înainte de a aprinde din nou.

Depozitare

Butelia de gaz trebuie depozitată în aer liber, într-o zonă bine ventilată și trebuie deconectată de la grătarul cu gaz atunci când nu este utilizată. Asigurați-vă că vă aflați în aer liber și departe de orice sursă de aprindere înainte de a încerca să deconectați butelia de gaz de la grătarul dumneavoastră pe gaz. Atunci când utilizați grătarul cu gaz după o perioadă de depozitare, asigurați-vă că nu există scurgeri de gaz și că nu există obstrucții în arzător etc. înainte de utilizare. De asemenea, urmați instrucțiunile de curățare pentru a vă asigura că grătarul cu gaz este sigur. Dacă grătarul pe gaz este depozitat în aer liber, asigurați-vă că toate zonele de sub panoul frontal sunt libere de orice obstrucții (insecte etc.) Această zonă trebuie să fie liberă, deoarece poate afecta fluxul de aer de ardere sau de ventilație.

Instrucțiuni de curățare

Întreținerea este recomandată la fiecare 90 de zile pentru grătarul dumneavoastră pe gaz, dar este absolut necesar să efectuați întreținerea cel puțin o dată pe an. Procedând astfel, veți prelungi durata de viață a grătarului dumneavoastră pe gaz.

Grătarul dvs. pe gaz este ușor de curățat cu un efort minim, trebuie doar să urmați aceste sfaturi utile pentru o curățare convenabilă.

Depanare		
Urgențe	Cauza posibilă	Prevenire/ soluție
Scurgeri de gaz din furtunul fisurat / tăiat / ars.	Furtun deteriorat.	Oprți gazul de la rezervorul de gaz lichefiat, dacă sapa este tăiată sau crăpată, înlocuiți furtunul. Consultați testul de plumb al rezervorului LP și regulatorul de conectare la LP.
Scurgeri de gaz din supapa rezervorului de gaz lichefiat.	Defecțiune mecanică datorată odihnei sau manipulării necorespunzătoare.	Închideți supapa rezervorului de gaz lichefiat.
Scurgeri de gaz din supapa rezervorului de gaz lichefiat.	Defecțiune sau supapa rezervorului din cauza unei manipulări necorespunzătoare sau a unei defecțiuni mecanice	Închideți supapa rezervorului de gaz lichefiat. Returnați rezervorul de gaz lichefiat la furnizorul de gaz.
Scurgeri de gaz între rezervorul de gaz lichefiat și conexiunea regulatorului	Instalare necorespunzătoare, conexiune neetanșă, defecțiune a garniturii de cauciuc	Închideți robinetul rezervorului de gaz lichefiat, scoateți regulatorul din butelie și inspectați vizual garnitura de cauciuc pentru a vedea dacă este deteriorată, consultați testul rezervorului de gaz lichefiat și conectați regulatorul la rezervorul de gaz lichefiat.
Incendiu care iese prin panoul de control	Incendiu în secțiunea tubului arzătorului din arzător din cauza blocării parțiale	Oprți butoanele de control și supapa rezervorului de gaz lichefiat. După ce focul s-a stins și grătarul este rece, scoateți arzătorul și inspectați-l pentru a vedea dacă există cuiburi de păianjen sau rugină, consultați paginile privind riscurile naturale și curățarea ansamblului arzătorului.
Foc de grăsime sau flăcări excesive deasupra suprafeței de gătit	Se acumulează prea multă grăsime în zona arzătorului.	Oprți rezervorul de gaz lichefiat. Lăsați capacul deschis pentru a permite flăcărilor să se stingă. După răcire, curățați particulele de alimente și excesul de grăsime din interiorul focarului, din cupa de grăsime, din tava/pană/plăci și de pe alte suprafețe.
Arzătorul nu se aprinde cu ajutorul aprinzătorului.	Probleme legate de gaz	
	1. Încercarea de a aprinde arzătorul greșit	1. Consultați instrucțiunile de pe panoul de comandă și secțiunea din Utilizare și Îngrijire.
	2. Arzătorul nu este cuplat cu supapa de control	2. Asigurați-vă că supapa este poziționată în interiorul tuburilor arzătorului.
	3. Obstrucție în arzător.	3. Asigurați-vă că tuburile arzătorului nu sunt obstrucționate cu pânze de păianjen sau alte
	4. Nu există flux de gaz	4. Asigurați-vă că rezervorul de gaz lichefiat nu este gol. Dacă rezervorul de GPL nu este gol, consultați scăderea bruscă a debitului de gaz.
Arzătorul nu se aprinde cu ajutorul aprinzătorului.	Probleme electrice	

	<ol style="list-style-type: none"> 1. Electrode fisurat sau rupt;" scantei la fisura." 2. Vârful electrodului nu este în poziția corectă 3. Sârmă și/sau electrod acoperit de gătit reziduu. 4. Firele sunt slăbite sau deconectate 5. Firele se scurtcircuitează (scânteii) între aprinzător și electrod. 6. Butonul de apăsare se blochează în partea de jos scânteii între aprinzător și electrod 	<ol style="list-style-type: none"> 1. Înlocuiți electrodul. 2. Vârful electrodului trebuie să fie îndreptat spre orificiul de admisie din arzător. Distanța trebuie să fie de 1/8" până la 3/16". Reglați dacă este necesar. 3. Curățați firul și/sau electrodul cu alcool de frecare și un tampon curat. 4. Reconectați firele sau înlocuiți ansamblul electrod/fire. 5. Înlocuiți firul de aprindere 6. Înlocuiți aprinzătorul 7. Inspectați izolația firelor și conexiunea corectă. Înlocuiți firele dacă izolația este ruptă.
Arzătorul nu se potrivește cu lumina	<ol style="list-style-type: none"> 1. A se vedea "Probleme legate de gaz" de pe pagina anterioară. 2. Metoda necorespunzătoare de aprindere a chibriturilor 	<ol style="list-style-type: none"> 1. Consultați secțiunea "Aprinderea pilotului de control al gazului" din secțiunea de utilizare și îngrijire.
Scădere bruscă a debitului de gaz sau flacăra scăzută	<ol style="list-style-type: none"> 1. Acumularea de grăsime. 2. Exces de grăsime în carne. 3. Temperatură de gătit excesivă 	<ol style="list-style-type: none"> 1. Curățați arzătoarele și interiorul grătarului / focarului 2. Tăiați grăsimea de pe carne înainte de a o frige. 3. Reglați (reduceți) temperatura
Flames suflă în aer	Vânt puternic sau în rafale. Nu mai aveți suficient gaz lichefiat. S-a declanșat supapa de exces de debit.	<p>Întoarceți partea frontală a grătarului pentru a fi orientată spre vânt sau pentru a mări înălțimea flăcării.</p> <p>Reumpleți rezervorul de gaz lichefiat.</p> <p>Consultați "scăderea bruscă a debitului de gaz" de mai sus.</p>
Foc persistent de grăsime	Grăsime reținută de acumularea de alimente în jurul sistemului de arzătoare.	Rotiți butoanele la OFF. Opriți gazul la rezervorul de gaz lichefiat. Lăsați capacul în poziție și lăsați focul să se stingă. După ce grătarul se răcește, scoateți și curățați toate piesele.
Flashback (incendiu în tubul (tuburile) arzătorului)	Arzătorul și tuburile arzătorului sunt blocate	Întoarceți butoanele la OFF, curățați arzătorul și/sau tuburile arzătorului. Consultați secțiunea de curățare a arzătorului din manualul de utilizare și întreținere
Focar de explozie	<ol style="list-style-type: none"> 1. Acumularea de grăsime. 2. Exces de grăsime în carne. 3. Temperatură de gătit excesivă 	<ol style="list-style-type: none"> 1. Curățați arzătoarele și interiorul grătarului / focarului 2. Tăiați grăsimea de pe carne înainte de a o frige. 3. Reglați (reduceți) temperatura
Imposibilitatea de a umple rezervorul LP	Unii dealeri au duze de umplere mai vechi, cu duze de umplere uzate.	Duzele uzate nu mai au suficientă "mușcătură" pentru a angaja supapa. Încercați un al doilea distribuitor LP.
Un arzător nu se aprinde de la celălalt (celelalte) arzător(e)	Acumulări de grăsime sau particule de alimente în capătul tubului de transport	Curățați tubul de transport cu o perie de sârmă

Dacă problema dvs. nu este rezolvată din informațiile de mai sus, contactați distribuitorul local de gaze.

- a) Porniți arzătorul timp de 15-20 de minute. Asigurați-vă că aparatul este rece înainte de a continua.
- b) Grilele trebuie curățate periodic prin înmuiere și spălare în apă cu săpun.
- c) Suprafețele interioare ale capacului carcasei grătarului trebuie, de asemenea, spălate cu apă caldă și săpun. Folosiți o perie de sârmă, vată de oțel sau un tampon de curățare pentru a îndepărta petele încăpățănate.
- d) Verificați periodic arzătorul pentru a vedea dacă este liber de insecte și păianjeni, care pot bloca sistemul de gaz, deviind fluxul de gaz. Asigurați-vă că curățați foarte atent țevile venturi de pe arzător, asigurați-vă că nu există obstrucții. Vă recomandăm să folosiți un curățător de țevi pentru a curăța zona țevilor venturi.
- e) Orice modificare a acestui aparat poate fi periculoasă și nu este permisă.

Sfaturi de siguranță pentru grătarul cu gaz

Așezați grătarul pe gaz pe o suprafață sigură și plană, departe de elemente inflamabile, cum ar fi gardurile de lemn sau ramurile de copac care atârnă. Nu utilizați niciodată grătarul pe gaz în interior!

Odată aprins, nu mutați grătarul cu gaz și nu îl lăsați nesupravegheat. Țineți copiii și animalele de companie la o distanță sigură de grătarul cu gaz. Țineți la îndemână un stingător de incendiu.

Grătarul cu gaz se va încinge atunci când este utilizat, așa că manevrați capacele etc. cu ajutorul mânușilor. Asigurați-vă că aparatul s-a răcit complet înainte de a-l depozita.

Utilizați numai în aer liber!

Citiți instrucțiunile înainte de a utiliza grătarul cu gaz.

Piese evaluabile pot fi foarte fierbinți, țineți copiii mici la distanță! Nu mutați grătarul cu gaz în timpul utilizării.

Închideți alimentarea cu gaz la rezervorul de gaz după utilizare.

Orice modificare a aparatului poate fi periculoasă și nu este permisă. Centrul de întreținere: vă rugăm să mergeți la distribuitorii locali pentru întreținerea producției.

Sigurnosne upute

Spremite ovaj priručnik s uputama za buduću upotrebu!
OVAJ PLINSKI ROŠTILJ DIZAJNIRAN JE SAMO ZA VANJSKU UPOTREBU!

UPOZORENJE: ZA SIGURAN I PRAVILAN RAD OBAVEZNO SPOJITE JEDNOSMJERNI REGULATOR TLAKA (NIJE UKLJUČEN).

Važan:

PROČITAJTE SVE UPUTE I OPERACIJE PRIJE RADA OVE JEDINICE. SLIJEDITE SVE KORAKE PO REDU. NIKADA NE DOPUSTITE DJECI DA UPRAVLJAJU OVOM JEDINICOM.

Upozorenja:

Koristite samo na otvorenom.
 Pročitajte upute prije uporabe uređaja.
 Pristupačni dijelovi možda vrlo vrući, držite malu djecu podalje.
 Ne pomičite uređaj tijekom uporabe.
 Isključite dovod plina na plinskom cilindru nakon uporabe.
 Svaka izmjena uređaja može biti opasna.
 Korisnik ne smije mijenjati dijelove koje je zapečatio proizvođač ili njegov agent. Ne mijenjajte uređaj.

Pažnja:

Neki dijelovi ovog uređaja postaju jako vrući, posebno pazite kada su prisutna djeca ili starije osobe.

Radi vaše sigurnosti:

Nemojte skladištiti ili koristiti benzin ili metilirana goriva ili bilo koje druge zapaljive pare i tekućine u blizini ovog ili bilo kojeg drugog uređaja. Nikada ne palite plinski roštilj benzinom ili usporedivim tekućinama!
 Prijedlog: korisnik ne bi trebao mijenjati sklop koji je proizvođač zapakirao.
 Određeni trgovci tekućim plinom mogu napuniti boce s tekućim plinom za uporabu u roštilju izvan kapaciteta punjenja cilindra. Ovo "Prekomjerno punjenje" može stvoriti opasno stanje. Spremnici za "prekomjerno punjenje" mogu povećati višak tlaka. Kao sigurnosni uređaj, ventil za rasterećenje spremnika ispuštat će plinsku paru kako bi oslobodio ovaj višak tlaka. Ova para je zapaljiva i stoga se može zapaliti. Da biste smanjili tu opasnost, poduzmite sljedeće sigurnosne mjere opreza:

- Kada napunite spremnik, obavezno recite dobavljaču da ga napuni do najviše 80% ukupnog kapaciteta.
- Ako posjedujete ili koristite dodatni rezervni spremnik ili imate odspojeni spremnik, nikada ga ne biste trebali čuvati u blizini ili ispod roštilja ili toplinske kutije ili u blizini bilo kojeg drugog izvora paljenja ili topline.

Opasnosti:

- Ako osjetite miris plina:
- Isključite plin iz uređaja
 - Ugasite svaki otvoreni plamen
 - Otvorite poklopac
 - Ako se miris nastavi, držite se podalje od aparata i nazovite lokalnu vatrogasnu službu

Tehnički podaci				
	BBQ4100	BBQ3100	BBQ3000	BBQ2000
Osnovna karakteristika	4 +1 plinski roštilj plamenika	3+1 plinski roštilj plamenika	3 plinski roštilj plamenika (bez bočnog plamenika)	2 plinski roštilj plamenika (bez bočnog plamenika)
Dimenzije	L129xW57xH110 cm	L122xW57xH110 cm	L120xW57xH102 cm	L106xW57xH102 cm
Površina roštilja	L69x W45 cm	L60xW45 cm	L60xW45 cm	L45xW45 cm
Rešetka	Lijevano željezo s premazom od cakline			Lijevano željezo
Plamenik i snaga	Plamenici cijevi od nehrđajućeg čelika, 3,6 kW po plameniku, 2,7 kW po bočnom plameniku, ukupno 17,1 kW	Plamenici cijevi od nehrđajućeg čelika, 3,6 kW po plameniku, 2,7 kW po bočnom plameniku, ukupno 13,5 kW	Plamenici cijevi od nehrđajućeg čelika, 3,6 kW po plameniku, Ukupno 10,8 kW	Plamenici cijevi od nehrđajućeg čelika, 3,6 kW po plameniku, ukupno 7,2 kW
Specifične karakteristike	2 bočne metalne police, s kotačima, INOX termometar, prekidači za automatsko paljenje, uklonjivi sakupljač masti, metalna pokrovna ploča prednje police (BBQ3000), 2 metalna ulazna vrata (BBQ3100, BBQ4100)			
Regulator i crijevo	nije uključeno			

Napomena: -SB znači s bočnim plamenikom; Ostavite da stavite tavu na bočni plamenik. (Promjer posude je max. Φ 24cm i Min. x Φ 8cm)

Koraci montaže

Provjerite je li vaš roštilj pravilno sastavljen. Detaljne upute za montažu pakirane su sa svakim roštiljem koji daje posebne postupke montaže za svaki model. Pažljivo slijedite ove upute kako biste osigurali ispravnu i sigurnu montažu roštilja.

Oprez: Iako ulažemo sve napore kako bismo osigurali da postupak montaže bude što jednostavniji, on je svojstven proizvedenim čeličnim dijelovima koji kutovi i obrubljeni mogu uzrokovati posjekotine ako se nepravilno rukuje tijekom postupaka montaže. Budite oprezni prilikom rukovanja bilo kojim dijelovima tijekom montaže. Preporučuje se da ruke zaštitite parom radnih rukavica.

Priprema

Trebat će vam plinska boca LPG i odgovarajući regulatori pod tlakom plina za upravljanje ovim plinskim roštiljem. Regulatori bi trebali biti u skladu s EN16129 s trenutnom verzijom i nacionalnim propisima.

Za dalje upute pogledajte točku 6.

Savjeti za uštedu energije:

- Smanjite vrijeme otvaranja poklopca.
- Isključite roštilj čim kuhanje završi.
- Zagrijte plinski roštilj samo 10 do 15 minuta. (Osim za prvu uporabu)
- Ne zagrijavajte duže nego što je preporučeno.
- Ne koristite višu postavku od potrebne.
- Spojite crijevo i regulator na spremnik za plin s lijeve strane plinskog roštilja. Imajući na umu da se spremnik za plin mora držati podalje od topline i u sigurnom položaju. Dimenzija crijeva je promjera 8-10 mm. Preporučena duljina crijeva koja ne smije prelaziti 1,5 m. Fleksibilno crijevo treba biti u skladu s relevantnim standardnim i lokalnim kodom.

Instalacija

Nakon kupnje plinske boce bit ćete spremni za postavljanje s plinskim roštiljem.

- Prilikom zamjene plinske boce ona se mora izvesti dalje od bilo kojeg izvora paljenja. Postavite plinski cilindar na lijevu stranu plinskog roštilja, ne smijete ga postavljati unutar roštilja, imajući na umu da se boca mora držati podalje od topline i u sigurnom položaju.
- Kada ste spremni za uporabu plinskog roštilja, umetnite regulator u ventil plinske boce i čvrsto zategnite.

Upozorenje: Prije nego što pokušate zapaliti plinski roštilj, morate pogledati upute za osvjetljenje i točke upozorenja / sigurnosti.

Provjerite crijevo prije svake uporabe, tražeći pucanje, posjekotine ili ogrebotine. Ako se utvrdi da je crijevo na bilo koji način neispravno, ne pokušavajte koristiti svoj plinski roštilj. Prilikom promjene plinske boce osigurava se da u blizini nema izvora paljenja, odnosno požara, cigareta, golog plamena itd. Provjerite je li uređaj isključen.

Pazite da crijevo nije podvrgnuto uvijanju što će utjecati na protok plina prilikom ugradnje plinskog roštilja. Također, crijevo ne smije imati nepotrebnu napetost i ne smije dodirivati bilo koji dio plinskog roštilja koji može biti vruć.

- Odaberite fleksibilno crijevo čija je otpornost na toplinu viša od 80°C.
- Fleksibilnu cijev treba mijenjati svake 2 godine. [™]Potrebno je promijeniti fleksibilnu cijev kada to zahtijevaju nacionalni uvjeti.

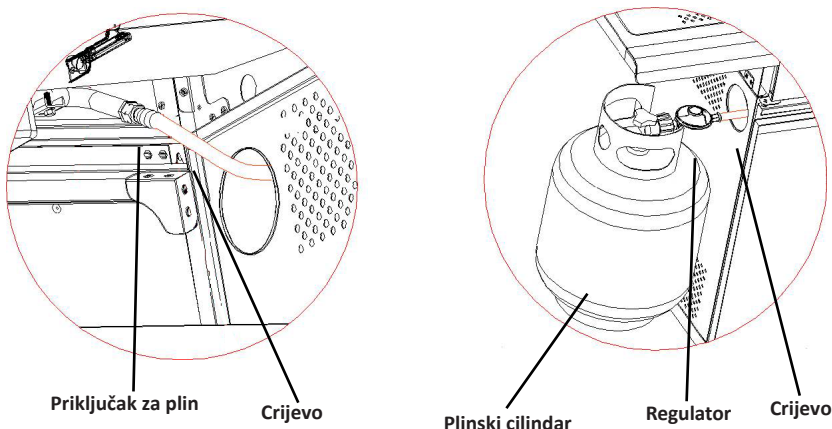
Kako promijeniti cilindar

Napomena: Isključite prekidač cilindra (nije potreban ključ)

Visina plinskog cilindra je ispod 80 cm, a širina unutar 35 cm

Kako spojiti plinsku bocu

- Okrenite narančastu kapu tako da strelica pokazuje na razmak u pokrovu.
- Uklonite narančastu sigurnosnu kapu izvlačenjem uzice, a zatim van. Ne koristite alate. Ostavite kapu na cjedilu.
- Provjerite je li crna brtvena podloška ugrađena unutar ventila cilindra. Spojite regulator na ventil.
- Okrenite prekidač u smjeru kazaljke na satu na plinskoj boci, a zatim uključite plinski roštilj prema uputama.



*Samo za proizvod bez odjeljka za plinske boce.

Upozorenje: Uvijek testirajte plinski vod na curenje na priključku sa sapunskom vodom koja završava sve priključke.

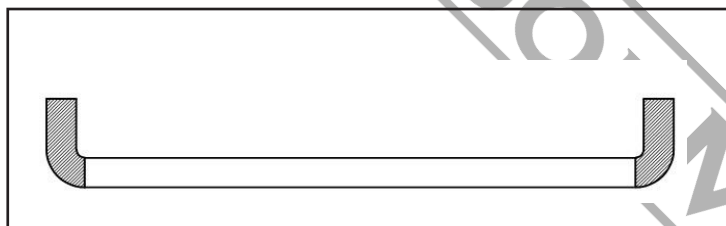
Kako odvojiti plinsku bocu

- Osim dvocilindričnih instalacija s ventilom za prebacivanje, isključite slavinu za plin ako je ugrađena na uređaj. Pričekajte dok se plamenik i kontrolno svjetlo ne ugase. Za instalacije s ventilom za prebacivanje potrebno je samo isključiti prazan cilindar.
- Zamijenite narančastu sigurnosnu kapu na prazan cilindar.

Točke upozorenja i sigurnosti

Prije upotrebe plinskog roštilja pročitajte sljedeće točke:

- Pročitajte upute prije uporabe uređaja. Ako se ne poštuju upute, to može uzrokovati probleme u uporabi.
 - Ovaj plinski roštilj pristupačni dijelovi možda vrlo vrući kada se koriste. Držite malu djecu podalje. Koristite zaštitne pri rukovanju posebno vrućim komponentama.
 - U slučaju curenja plina, Isključite dovod plina na plinskoj boci, ugase otvoreni plamen, otvorite poklopac i ako se curenje nastavi, provjerite ima li oštećenja, loših priključaka itd. Ako se problem ne može riješiti, odmah se obratite lokalnom prodavaču plina.
 - Ne pomičite plinski roštilj tijekom uporabe.
 - Prilikom rada s plinskim roštiljem nemojte koristiti niti skladištiti tekućine, pare ili druge materijale u blizini.
 - Ovaj plinski roštilj koristi se samo na otvorenom.
 - Ne koristite goli plamen za provjeru curenja plina.
 - Ne koristite plinski roštilj ako dođe do curenja plina. Isključite dovod plina.
 - Ne pokušavajte odvojiti bilo koji dio za plinsku armaturu ako se koristi vaš plinski roštilj, na plinskom roštilju ili regulatoru / boci plina.
 - Preporučuje se njega prilikom rada s plinskim roštiljem, nikada ne smijete ostaviti bez nadzora kada se koristite. Isključite dovod plina u spremniku za plin nakon uporabe.
 - Plinski roštilj treba očistiti nakon uporabe. Ne ometajte protupožarni otvor kontejnerskog odjeljka. Ako je protupožarni otvor blokiran, za bageriranje koristite okrugli štapić od $\phi 1,6$ mm.
- Pri čišćenju plamenika ili ventila pazite da prilikom čišćenja plamenika ili ventila ne povećate otvore plamenika ili otvora otvora za otvore.
- Ne pokušavajte koristiti ovaj uređaj u garaži ili bilo kojem zatvorenom prostoru. Također, ovaj uređaj mora biti podalje od zapaljivih materijala tijekom uporabe itd. Preporučujemo da držite razmak od najmanje 0,5 do 1,0 metra od zapaljivih materijala.
 - Preporučujemo da ovaj plinski roštilj barem jednom godišnje servisira vaše lokalno prodajno mjesto za plin. Ne pokušavajte sami servisirati ovaj uređaj.
 - Svaka izmjena uređaja može biti opasna. Ne pokušavajte neovlašteno ometati glavne kontrole na ovom plinskom roštilju, odnosno slavine za plin, brizgaljke, ventile itd.



UPOZORENJE: Crno područje ručke (pogledajte gornju sliku za referencu) postat će vruće kada se plinski roštilj koristi, **BUDITE OPREZNI!** Ne dirajte crno područje.

Sigurnosne mjere opreza

- Uvijek testirajte plinske vodove na curenje na priključku sa sapunastom vodom nakon spajanja.
- Gornji poklopac mora uvijek biti otvoren prilikom paljenja plamenika.
- Prilikom kuhanja na roštilju koristite rukavice za pećnicu i čvrste plinske alate s dugom ručkom.
- Budite spremni ako dođe do nesreće ili požara. Znajte gdje su pribor za prvu pomoć i aparati za gašenje požara i znajte kako ih koristiti.
- Držite bilo koji kabel za napajanje električnom energijom i crijevo za dovod goriva dalje od bilo kakvih zagrijanih površina.
- Uvijek kuhajte s velikom pažnjom.
- Ne zagrijavajte neotvorenu staklenu ili metalnu posudu s hranom na roštilju. Pritisak se može povećati i uzrokovati pucanje spremnika, što može rezultirati serijskim osobnim ozljedama ili oštećenjem roštilja.

Upute za uporabu

Oprez: Poklopac mora biti otvoren prilikom paljenja plamenika!
Nemojte stajati licem izravno preko plinskog roštilja kada ga palite.

Vaš plinski roštilj imat će sljedeći način paljenja:

Pilot plinsko kontrolno paljenje (Glavni plamenik ili glavni plamenik s bočnim plamenikom): Sa svim kontrolama plina na plinskom roštilju u položaju "OFF" "OFF", okrenite plinski cilindar ventil u položaj za uključivanje na regulatoru. Da biste stvorili iskru, morate pritisnuti kontrolni gumb (A) i držati ga u tom položaju 3-5 sekundi kako biste omogućili protok plina, a zatim okrenuti u smjeru suprotnom od kazaljke na satu na "HIGH" (B). Može zaiskriti na cijevi za osvjetljenje plamenika (C). Čut ćete "pucketanje" iz upaljača, a vidjet ćete i narančasti plamen koji dolazi iz cijevi za osvjetljenje plamenika na lijevoj strani plamenika (D).

Nastavite držati kontrolni gumb plamenika dvije sekunde nakon "pucanja", što će omogućiti da plin potpuno teče niz cijev plamenika (E) i osigura paljenje. Kada se plamenik zapali, susjedni plamenici će prijeći svjetlo kada su njihove kontrole okrenute na "VISOKO"

Pri postavljanju "Visokog" plamen plamenika trebao bi biti dugačak oko 12-20 mm s najmanje narančastog plamena. Okrenite kontrolu plina u potpunosti u smjeru suprotnom od kazaljke na satu za minimalno podešavanje.

Ako imate poteškoća s paljenjem plinskog roštilja slijedeći gore navedene korake, obratite se prodavaču za savjet.

Ako se automatsko paljenje ne može koristiti, izvadite roštilj za kuhanje i difuzor topline (ploča za kuhanje), a ventil okrenite u smjeru suprotnom od kazaljke na satu na 90 °C na svjetlo pomoću upaljača za roštilj u udaljenosti od 5 mm do rupe za požar plamenika. Zamijenite roštilj za kuhanje i difuzor topline (ploču za kuhanje), nosite vatrootporne rukavice otporne na toplinu.

Upozorenje: Ako plamenik i dalje ne svijetli, uključite kontrolni gumb plamenika "OFF" i pričekajte 5 minuta da se plin očisti prije ponovnog paljenja.

Uskladištenje

Vaša plinska boca mora biti pohranjena na otvorenom u dobro prozračenom prostoru i mora biti isključena s plinskog roštilja kada se ne koristi. Prije nego što pokušate odvojiti plinsku bocu od plinskog roštilja, provjerite jeste li na otvorenom i udaljeni od izvora paljenja.

Kada koristite plinski roštilj nakon razdoblja skladištenja, provjerite ima li curenja plina i prije upotrebe provjerite ima li prepreka u plameniku itd. Također slijedite upute za čišćenje kako biste bili sigurni da je plinski roštilj siguran.

Ako se plinski roštilj čuva na otvorenom, provjerite jesu li sva područja ispod prednje ploče slobodna od bilo kakvih prepreka (insekti itd.) Ovo područje mora biti slobodno jer to može utjecati na protok zraka za izgaranje ili ventilaciju.

Upute za čišćenje

Održavanje se preporučuje svakih 90 dana za vaš plinski roštilj, ali je apsolutno potrebno održavati najmanje jednom godišnje. Na taj ćete način produžiti vijek trajanja vašeg plinskog roštilja.

Vaš plinski roštilj lako se čisti uz minimalan napor, samo slijedite ove korisne savjete za praktičnost čišćenja.

Rješavanje problema		
Hitne slučajeve	Mogući uzrok	Prevenција/ Rješenje
Plin curi iz napuknutog / izrezanog / spaljenog crijeva.	Oštećeno crijevo.	Isključite plin u spremniku LP-a, ako su motike izrezane ili napuknute, zamijenite crijevo. Pogledajte ispitivanje olova spremnika LP i regulator spajanja na LP.
Plin curi iz ventila LP spremnika.	Mehanički kvar zbog odmora ili lošeg rukovanja.	Isključite ventil LP spremnika.
Plin curi iz ventila LP spremnika.	Kvar ili ventil spremnika od pogrešnog rukovanja ili mehaničkog kvara.	Isključite ventil LP spremnika. Vratite spremnik LP-a dobavljaču plina.
Istjecanje plina između spremnika LP i priključka regulatora.	Nepravilna ugradnja, priključak nije čvrst, kvar gumene brtve.	Isključite ventil spremnika LP-a, uklonite regulator iz cilindra i vizualno pregledajte oštećenja gumene brtve, pogledajte ispitivanje spremnika LP-a i regulator spajanja na spremnik LP-a.
Vatra dolazi kroz upravljačku ploču.	Požar u dijelu plamenika zbog djelomične blokade.	Isključite upravljačke gumbе i ventil LP spremnika. Nakon što se vatra ugasi i roštilj ohladi, uklonite plamenik i pregledajte ima li gnijezda pauka ili hrđe, pogledajte prirodnu opasnost i očistite stranice za montažu plamenika.
Podmažite vatru ili prekomjerni plamen iznad površine za kuhanje.	Previše nakupljanja masti u području plamenika.	Isključite LP spremnik. Ostavite poklopac otvoren kako bi se plamen ugasio. Nakon hlađenja očistite čestice hrane i višak masnoće iz područja ložišta, šalice za masnoću / tave / pladnja i drugih površina.
Plamenik neće svijetliti pomoću upaljača.	Problemi s plinom	
	1. Pokušaj paljenja pogrešnog plamenika.	1. Pogledajte upute na upravljačkoj ploči i odjeljku u odjeljku Uporaba i njega.
	2. Plamenik nije uključen u upravljački ventil.	2. Provjerite jesu li ventili smješteni unutar cijevi plamenika.
	3. Opstrukcija u plameniku.	3. Osigurajte da cijevi plamenika nisu začepljene paukovim mrežama ili drugim stvarima.
Plamenik neće svijetliti pomoću upaljača.	4. Nema protoka plina.	4. Pazite da LP spremnik nije prazan. Ako spremnik LP-a nije prazan, pogledajte nagli pad protoka plina.
	Električni problemi	
Plamenik neće svijetliti pomoću upaljača.	1. Elektroda napukla ili slomljena;" iskre na pukotini."	1. Zamijenite elektrodu.
	2. Vrh elektrode nije u ispravnom položaju	2. Vrh elektrode trebao bi biti usmjeren prema otvoru u plameniku. Udaljenost bi trebala biti 1/8" do 3/16". Po potrebi prilagodite.
	3. Žica i/ili elektroda prekrivene ostacima kuhanja.	3. Očistite žicu i ili elektrodu alkoholom za trljanje i očistite bris.
	4. Žice su labave ili odspojene	4. Ponovno spojite žice ili zamijenite sklop elektroda/žice.
	5. Žice su kratke (iskreće) između upaljača i elektrode.	5. Zamijenite žicu za paljenje.
	6. Pritisnite tipke na dnu koje svjetlucaju između upaljača i elektrode.	6. Zamijenite upaljač.
Plamenik neće odgovarati svjetlu.	Pogledajte "problemi s plinom;" na prethodnoj stranici. 2. Nepravilna metoda rasvjete šibice.	7. Pregledajte izolaciju žice i pravilno spajanje. Zamijenite žice ako je izolacija slomljena.
		1. Pogledajte odjeljak uporabe i njega "Pilot Gas Control Paljenje".

Nagli pad protoka plina ili nizak plamen	1. Nakupljanje masti. 2. Prekomjerna masnoća u mesu. 3. Prekomjerna temperatura kuhanja	1. Očistite plamenike i unutrašnjost roštilja / ložišta. 2. Odrežite masnoću od mesa prije pečenja. 3. Podesite (nižu) temperaturu.
Plamen se ugasio	Jaki ili udarni vjetrovi. Nedostaje LP plina. Ventil viška protoka se aktivirao.	Okrenite prednji dio roštilja prema vjetru ili povećajte visinu plamena. Napunite spremnik LP-a. Pogledajte gore navedeni "nagli pad protoka plina".
Trajna masna vatra	Mast zarobljena nakupljanjem hrane oko sustava plamenika.	Uključite gumb na ISKLJUČENO. Isključite plin u spremniku LP-a. Ostavite poklopac na mjestu i pustite da vatra izgori. Nakon što se roštilj ohladi, uklonite i očistite sve dijelove.
Flashback (vatra u cijevima plamenika)	Cijevi plamenika i plamenika su blokirane.	Okrenite gumb na ISKLJUČENO, očistite cijevi plamenika i/ili plamenika. Pogledajte odjeljak za čišćenje plamenika u priručniku za uporabu i njegu.
Tvrdoглаva vatra zbog masti	1. Nakupljanje masti. 2. Prekomjerna masnoća u mesu. 3. Prekomjerna temperatura kuhanja.	1. Očistite plamenike i unutrašnjost roštilja / ložišta. 2. Odrežite masnoću od mesa prije pečenja. 3. Podesite (nižu) temperaturu.
Nije moguće napuniti spremnik LP-a	Neki trgovci imaju starije mlaznice za punjenje istrošenim nitima.	Okrenite istrošene mlaznice nemaju dovoljno "ugriza" za uključivanje ventila. Pokušajte s drugim distributerom LP-a.
Jedan plamenik ne svijetli iz drugih izgaranja	Nakupljanje masti ili čestice hrane na kraju cijevi za nošenje.	Očistite cijev za prijenos žičanom četkom.

Ako vaš problem nije riješen iz gore navedenih podataka, obratite se lokalnom prodavaču plina.

- Uključite plamenik 15 do 20 minuta. Prije nastavka provjerite je li uređaj hladan.
- Rešetke treba povremeno čistiti namakanjem i pranjem u sapunici.
- Unutarnje površine poklopca kućišta roštilja također treba oprati vrućom, sapunastom vodom. Koristite žičanu četku, čeličnu vunu ili jastučić za ribanje kako biste uklonili tvrdokorna mjesta.
- Povremeno provjeravajte plamenik kako biste vidjeli da nema insekata i pauka koji mogu začepiti plinski sustav, odbijajući protok plina. Pobrinite se da pažljivo očistite venturi cijevi na plameniku, pazite da nema prepreka. Preporučujemo da za čišćenje područja cijevi Venturi koristite sredstvo za čišćenje cijevi.
- Sve preinake ovog uređaja mogu biti opasne i nisu dopuštene.

Sigurnosni savjeti za plinski roštilj

Postavite plinski roštilj na sigurnu ravnu površinu, dalje od zapaljivih predmeta poput drvenih ograda ili nadvišenih grana drveća. Nikada ne koristite plinski roštilj u zatvorenom prostoru!

Nakon paljenja ne pomičite plinski roštilj niti ga ostavljajte bez nadzora.

Držite djecu i kućne ljubimce na sigurnoj udaljenosti od plinskog roštilja.

Držite aparat za gašenje požara pri ruci.

Plinski roštilj postat će vruć kada se koristi, pa rukujte poklopcima itd. uz pomoć rukavica.

Prije skladištenja provjerite je li se uređaj potpuno ohladio.

Koristite samo na otvorenom!

Pročitajte upute prije uporabe plinskog roštilja.

Procijenjeni dijelovi mogu biti vrlo vrući, držite malu djecu podalje!

Ne pomičite plinski roštilj tijekom uporabe.

Isključite dovod plina u spremniku za plin nakon uporabe.

Svaka preinaka uređaja može biti opasna i nije dopuštena.

Centar za održavanje: molimo vas da odete lokalnim trgovcima na održavanje proizvodnje.

EL

Οι ψησταριές έχουν κατασκευαστεί με αυστηρά πρότυπα που έχει θέσει η εταιρεία και τα οποία συνάδουν με τα ευρωπαϊκά πρότυπα ποιότητας. Για τις ψησταριές της εταιρείας μας παρέχεται περίοδος εγγύησης 24 μηνών. Η ισχύς της εγγύησης ξεκινά από την ημερομηνία αγοράς του προϊόντος. Αποδεικτικό του δικαιώματος της εγγύησης αποτελεί το παραστατικό αγοράς της ψησταριάς (απόδειξη λιανικής ή τιμολόγιο). Σε καμία περίπτωση η εταιρεία δεν καλύπτει τη σχετική δαπάνη ανταλλακτικών και εργασίας εάν και εφόσον δε συνοδεύεται από αντίγραφο του παραστατικού. Σε περίπτωση που η επισκευή πρέπει να γίνει στο service μας η δαπάνη μεταφοράς (από και προς) βαρύνει εξ' ολοκλήρου τον αποστολέα. Οι ψησταριές αποστέλλονται για την επισκευή τους στην εταιρεία ή σε εξουσιοδοτημένο συνεργείο με τον ενδεδειγμένο τρόπο καθώς και μέσο μεταφοράς.

ΕΞΑΙΡΕΣΕΙΣ ΚΑΙ ΠΕΡΙΟΡΙΣΜΟΙ ΤΗΣ ΕΓΓΥΗΣΗΣ:

- 1) Φυσιολογική φθορά λόγω χρήσης (αναλώσιμα εξαρτήματα).
- 2) Ζημιές που οφείλονται γενικώς σε μη συμμόρφωση με τις οδηγίες του κατασκευαστή.
- 3) Ελλιπής συντήρηση.
- 4) Χρήση μη ενδεδειγμένων καθαριστικών ή εξαρτημάτων.
- 5) Παραχώρηση προϊόντος σε τρίτο πρόσωπο χωρίς επιβάρυνση.
- 6) Βλάβη ή κακή λειτουργία που έχει προκύψει από πλημμελή καθαρισμό της ψησταριάς.
- 8) Επαφή της ψησταριάς με χημικά, ή βλάβη από υγρασία, διάβρωση.
- 9) Ψησταριές που έχουν υποστεί τροποποιήσεις – αλλαγές ή στις οποίες έχει γίνει επέμβαση από μη εξουσιοδοτημένο συνεργείο.
- 10) Ψησταριές που χρησιμοποιούνται για ενοικίαση.

Η εγγύηση καλύπτει αποκλειστικά τη δωρεάν αντικατάσταση του εξαρτήματος που έχει κατασκευαστικό ελάττωμα ή αστοχία υλικού. Σε περίπτωση έλλειψης ανταλλακτικού η εταιρεία διατηρεί το δικαίωμα αντικατάστασης της ψησταριάς με άλλο αντίστοιχο μοντέλο. Μετά τη διεκπεραίωση εγγύησης δεν επιμηκύνεται ούτε ανανεώνεται ο χρόνος εγγύησης της ψησταριάς. Τα ανταλλακτικά ή οι ψησταριές οι οποίες αντικαθίστανται παραμένουν στην κατοχή της εταιρείας μας. Άλλες απαιτήσεις, εκτός από αυτές που αναφέρονται σε αυτό το έντυπο εγγύησης δεν ισχύουν. Για την εγγύηση αυτή ισχύει το ελληνικό Δίκαιο.

EN

The gas grills have been manufactured according to strict standards, set by our company, which are aligned with the respective European quality standards. The gas grills of our company are provided with a warranty period of 24 months for non-professional use. The warranty is valid from the date of purchase of the product. Proof of the warranty right is the purchase document of the gas grill (retail receipt or invoice). Under no circumstances shall the company cover the relevant cost of spare parts and respective required working hours unless a copy of the purchase document is presented. In case the repair has to be done by our service department the cost of transportation (to and from) is entirely borne by the sender (client). The gas grills must be sent for repair to the company or to an authorized workshop in the appropriate way and means of transport.

WARRANTY EXEMPTIONS AND RESTRICTIONS:

- 1) Spare parts that wear out naturally as a consequence of being used (expendable parts).
- 2) Gas grills damaged as a result of non-compliance with the instructions of the manufacturer.
- 3) Gas grills poorly maintained.
- 4) Use of improper detergents or accessories.
- 5) Gas grills given to third entities free of charge.
- 6) Damage or malfunction resulting from improper cleaning procedure of the grill gas.
- 7) Contact of the grill gas with chemicals, or damage as a result of moisture or corrosion.
- 8) Gas grills that have been modified or opened by unauthorized personnel.
- 9) Gas grills used for rent.

The warranty covers only the free of charge replacement of the component that presents a manufacturing defect or material failure. In case of lack of a specific spare part the company reserves the right to replace the gas grill with another corresponding model. After all warranty procedures have been concluded, the warranty period of the gas grill shall not be extended or renewed. The spare parts or gas grills that are replaced remain in the possession of our company. Requirements, other than those mentioned in this warranty form, regarding gas grills repairs or damage thereof, do not apply. Greek law and relative regulations apply to this warranty.

FR

Les grils à gaz ont été fabriqués selon des normes strictes, établies par notre société et se sont alignés sur les normes de qualité européennes respectives. Les grils à gaz de notre société sont fournis avec une période de garantie de 24 mois pour une utilisation non professionnelle. La garantie est valable à partir de la date d'achat du produit. La preuve du droit à la garantie est le document d'achat du gril à gaz (ticket de caisse ou facture). En aucun cas, la société ne couvrira le coût des pièces de rechange et des heures de travail nécessaires si une copie du document d'achat n'est pas présentée. Si la réparation doit être effectuée par notre service après-vente, les frais de transport (aller et retour) sont entièrement à la charge de l'expéditeur (client). Les grils à gaz doivent être envoyés pour réparation à l'entreprise ou à un atelier agréé, de la manière et avec le moyen de transport appropriés.

EXEMPTIONS ET RESTRICTIONS DE GARANTIE:

- 1) Les pièces de rechange qui s'usent naturellement suite à leur utilisation (pièces consommables).
- 2) Des grils à gaz endommagés à la suite du non-respect des instructions du fabricant.
- 3) Des grils à gaz mal entretenus.
- 4) Après d'une utilisation de détergents ou d'accessoires inadaptés.
- 5) Les grils à gaz donnés à des tiers à titre gratuit.
- 6) Dommages ou dysfonctionnements résultant d'une procédure de nettoyage inadéquate du gaz du gril.
- 7) À cause de contact du gaz du gril avec des produits chimiques, ou dommages résultant de l'humidité ou de la corrosion.
- 8) Les grils à gaz qui ont été modifiés ou ouverts par du personnel non autorisé.
- 9) Les grils à gaz utilisés pour la location.

La garantie couvre uniquement le remplacement gratuit de l'élément qui présente un défaut de fabrication ou une défaillance matérielle. En cas d'absence d'une pièce de rechange spécifique, la société se réserve le droit de remplacer le gril à gaz par un autre modèle correspondant. Après la conclusion de toutes les procédures de garantie, la période de garantie du gril à gaz ne sera pas prolongée ou renouvelée. Les pièces de rechange ou les grils à gaz remplacés restent en possession de notre société. Les exigences, autres que celles mentionnées dans ce formulaire de garantie, concernant les réparations des grils à gaz ou leurs dommages, ne s'appliquent pas.

La loi grecque et ses règlements s'appliquent à cette garantie.

EN

GARANTIE

This appliance is a quality product. It was designed in compliance with current technical standards and made carefully using normal, good quality materials. The warranty period is 24 months and commences on the date of purchase, which can be verified by the receipt, invoice or delivery note. During this warranty period all functional errors, which, despite the careful treatment described in our operating manual, are verifiably due to material flaws, will be rectified by our after-sales service staff. The warranty takes the form that defective parts will be repaired or replaced with perfect parts free of charge at our discretion. Replaced parts will become our property. Repair work or the replacement of individual parts will not extend the warranty period nor will it result in a new warranty period being commenced for the appliance. No separate warranty period will commence for spare parts that may be used. We cannot offer a warranty for damage and defects on appliances or their parts caused by the use of excessive force, improper treatment and servicing. This also applies for failures to comply with the operating manual and the installation or spare and accessory parts that are not included in our range of products. In the event of interference with or modifications to the appliance by unauthorized persons, the warranty will be rendered void. Damages that are attributable to improper handling, over loading, or natural wear and tear are excluded from the guarantee. Damages caused by the manufacturer or by a material defect will be corrected at no charge by repair or by providing spare parts. The prerequisite is that the equipment is handed over assembled, and complete with the proof of sale and guarantee. For a guarantee claim, only use the original packaging. That way, we can guarantee quick and smooth guarantee processing. Please send us the appliances post-paid or request a Freeway sticker. Unfortunately we will be unable to accept appliances that are not postpaid. The warranty does not cover parts that are subject to natural wear and tear. If you wish to make a warranty claim, report faults or order spare parts or accessories, please contact the after-sales center below: Subject to change without prior notice.

DE

GARANTIE

Dieses Gerät ist ein Qualitätsprodukt. Es wurde gemäß den aktuellen technischen Standards entworfen und sorgfältig mit normalen, hochwertigen Materialien hergestellt. Die Gewährleistungsfrist beträgt 24 Monate und beginnt mit dem Kaufdatum, was anhand von Quittung, Rechnung oder Lieferschein überprüft werden kann. Während dieser Garantiezeit werden alle Funktionsfehler, die trotz der in unserer Bedienungsanleitung beschriebenen sorgfältigen Behandlung nachweislich auf Materialfehler zurückzuführen sind, von unseren Kundendienstmitarbeitern behoben. Die Garantie besteht in der Form, dass defekte Teile nach unserem Ermessen kostenlos repariert oder durch einwandfreie Teile ersetzt werden. Ersetzte Teile werden unser Eigentum. Reparaturarbeiten oder der Austausch einzelner Teile verlängern die Garantiezeit nicht und führen nicht zu einer neuen Garantiezeit für das Gerät. Für eventuell verbrauchte Ersatzteile beginnt keine gesonderte Gewährleistungsfrist. Wir können keine Garantie für Schäden und Mängel an Geräten oder deren Teilen geben, die durch übermäßige Gewaltanwendung, unsachgemäße Behandlung und Wartung verursacht wurden. Dies gilt auch für die Nichtbeachtung der Bedienungsanleitung und der Montage- oder Ersatz- und Zubehörteile, die nicht in unserem Sortiment enthalten sind. Bei Eingriffen in die Änderung durch unbefugte Personen am Gerät erlischt die Garantie. Schäden, die auf unsachgemäße Behandlung, Überlastung oder natürliche Abnutzung zurückzuführen sind, sind von der Garantie ausgeschlossen. Schäden, die vom Hersteller oder durch einen Materialfehler verursacht werden, werden durch Reparatur oder Ersatzteillieferung kostenlos behoben. Voraussetzung ist, dass das Gerät zusammen mit dem Verkaufsbeleg und der Garantie zusammengebaut übergeben wird. Verwenden Sie für einen Garantieanspruch nur die Originalverpackung. Auf diese Weise können wir eine schnelle und reibungslose Garantieabwicklung garantieren. Bitte schicken Sie uns die Geräte im Nachhinein oder fordern Sie einen Freeway-Aufkleber an. Geräte, die nicht nachbezahlt werden, können wir leider nicht akzeptieren. Die Garantie erstreckt sich nicht auf Teile, die einem natürlichen Verschleiß unterliegen. Wenn Sie einen Garantieanspruch geltend machen, Fehler melden oder Ersatzteile oder Zubehör bestellen möchten, wenden Sie sich bitte an das Kundendienstcenter: Änderungen vorbehalten.

FR

GARANTIE

Cet appareil est un produit de qualité. Il a été conçu conformément aux normes techniques en vigueur et fabriqué avec soin à l'aide de matériaux usuels et de qualité. La période de garantie est de 24 mois et débute à la date d'achat. Elle peut être vérifiée sur le reçu, la facture ou le bon de livraison. Pendant cette période de garantie, toutes les erreurs de fonctionnement qui, malgré le traitement minutieux décrit dans notre manuel d'utilisation, sont dues à des défauts matériels, seront corrigées par notre service après-vente. La garantie prend la forme que les pièces défectueuses seront réparées ou remplacées par des pièces parfaites gratuitement à notre discrétion. Les pièces remplacées deviendront notre propriété. Les travaux de réparation ou le remplacement de pièces individuelles ne prolongeront pas la période de garantie et n'entraîneront pas le début d'une nouvelle période de garantie pour l'appareil. Aucune période de garantie séparée ne commencera pour les pièces de rechange susceptibles d'être utilisées. Nous ne pouvons pas offrir de garantie pour les dommages et les défauts des appareils ou de leurs pièces causés par l'utilisation d'une force excessive, un traitement ou un entretien inapproprié. Ceci s'applique également aux cas de non-respect du manuel d'utilisation et de l'installation ou des pièces détachées et accessoires non compris dans notre gamme de produits. En cas d'interférence avec des modifications apportées à l'appareil par des personnes non autorisées, la garantie sera annulée. Les dommages résultant d'une mauvaise manipulation, d'un chargement excessif ou d'une usure naturelle sont exclus de la garantie. Les dommages causés par le fabricant ou par un défaut matériel seront corrigés gratuitement par la réparation ou par la fourniture de pièces de rechange. La condition préalable est que le matériel soit remis assemblé et accompagné de la preuve de vente et de la garantie. Pour une demande de garantie, utilisez uniquement l'emballage d'origine. De cette manière, nous pouvons garantir un traitement rapide et sans heurts des garanties. S'il vous plaît envoyez-nous les appareils post-payés ou demandez un autocollant Freeway. Malheureusement, nous ne pourrions pas accepter les appareils non post-payés. La garantie ne couvre pas les pièces soumises à une usure naturelle. Si vous souhaitez faire une demande de garantie, signaler un défaut ou commander des pièces de rechange ou des accessoires, veuillez contacter le service après-vente ci-dessous: Sujet à modification sans préavis.

ESP

GARANTÍA

Este aparato es un producto de calidad. Fue diseñado de acuerdo con las normas técnicas actuales y se hizo con cuidado utilizando materiales normales y de buena calidad. El período de garantía es de 24 meses y comienza en la fecha de compra, que puede verificarse mediante el recibo, la factura o la nota de entrega. Durante este período de garantía, todos los errores funcionales que, a pesar del tratamiento cuidadoso que se describen en nuestro manual de operación, son verificables debido a fallas materiales, serán corregidos por nuestro personal de servicio postventa. La garantía adquiere la forma de que las piezas defectuosas se repararán o reemplazarán con piezas perfectas de forma gratuita a nuestra discreción. Las partes reemplazadas se convertirán en nuestra propiedad. Los trabajos de reparación o el reemplazo de piezas individuales no ampliarán el período de garantía, no dará lugar a que se comience un nuevo período de garantía para el aparato. No se iniciará ningún período de garantía por separado para las piezas de repuesto que puedan ser utilizadas. No podemos ofrecer una garantía por daños y defectos en los aparatos o sus partes causados por el uso excesivo de la fuerza, el tratamiento y el servicio incorrectos. Esto también se aplica a las fallas en el cumplimiento del manual de operación y la instalación o piezas de repuesto y accesorios que no están incluidos en nuestra gama de productos. En caso de interferencia con modificaciones al aparato por parte de personas no autorizadas, la garantía quedará anulada. Los daños que son atribuibles a un manejo inadecuado, sobrecarga o desgaste natural están excluidos de la garantía. Los daños causados por el fabricante o por un defecto de material se corregirán sin costo alguno por reparación o proporcionando piezas de repuesto. El requisito previo es que el equipo se entregue ensamblado y se complete con el comprobante de venta y garantía. Para una reclamación de garantía, utilice únicamente el embalaje original. De esta manera, podemos garantizar un rápido y suave procesamiento de garantías. Por favor, envíenos los electrodomésticos con pospago o solicite una etiqueta de Freeway. Lamentablemente, no podremos aceptar aparatos que no sean de pospago. La garantía no cubre las piezas que están sujetas a desgaste natural. Si desea realizar un reclamo de garantía, informar fallas o solicitar piezas de repuesto o accesorios, comuníquese con el centro de postventa a continuación: Sujeto a cambios sin previo aviso.

IT

GARANZIA

Questo apparecchio è un prodotto di qualità. È stato progettato in conformità con le attuali norme tecniche e realizzato con attenzione utilizzando materiali normali di buona qualità. Il periodo di garanzia è di 24 mesi e decorre dalla data di acquisto, che può essere verificata tramite ricevuta, fattura o bolla di consegna. Durante questo periodo di garanzia tutti gli errori funzionali, che, nonostante l'accurato trattamento descritto nel nostro manuale operativo, sono verificabili a causa di difetti dei materiali, verranno risolti dal nostro personale di assistenza post-vendita. La garanzia assume la forma che le parti difettose saranno riparate o sostituite con parti perfette gratuitamente a nostra discrezione. Le parti sostituite diventeranno di nostra proprietà. I lavori di riparazione o la sostituzione di singole parti non prolungheranno il periodo di garanzia, poiché non si verificherà un nuovo periodo di garanzia per l'apparecchio. Non inizierà alcun periodo di garanzia separato per i pezzi di ricambio che possono essere utilizzati. Non possiamo offrire una garanzia per danni e difetti su apparecchi o loro parti causati dall'uso di forza eccessiva, trattamento e manutenzione inadeguati. Ciò vale anche per il mancato rispetto del manuale operativo e delle parti di installazione o di ricambio e accessori non inclusi nella nostra gamma di prodotti. In caso di interferenza con modifiche all'apparecchio da parte di persone non autorizzate, la garanzia sarà invalidata. Sono esclusi dalla garanzia i danni riconducibili a uso improprio, sovraccarico o usura naturale. I danni causati dal produttore o da un difetto materiale verranno corretti gratuitamente mediante riparazione o fornitura di pezzi di ricambio. Il presupposto è che l'attrezzatura sia consegnata assemblata e completa con la prova di vendita e garanzia. Per una richiesta di garanzia, utilizzare solo la confezione originale. In questo modo, possiamo garantire un'elaborazione della garanzia rapida e agevole. Vi preghiamo di inviarcì gli elettrodomestici post-pagamento o richiedere un adesivo Freeway. Purtroppo non saremo in grado di accettare apparecchi che non sono postpagati. La garanzia non copre parti soggette a usura naturale. Se si desidera presentare una richiesta di intervento in garanzia, segnalare guasti o ordinare pezzi di ricambio o accessori, contattare il centro assistenza di seguito: soggetto a modifiche senza preavviso.

SLO

GARANCIJA

Ta aprava je kakovosten izdelek. Zasnovan je bil v skladu z veljavnimi tehničnimi standardi in skrbno izdelan z običajnimi, kakovostnimi materiali. Garancijsko obdobje je 24 mesecev in se začne na dan nakupa, ki ga je mogoče preveriti s potrdilom o prejemu, računom ali dobavnico. V času garancijskega roka bodo vse funkcionalne napake, ki so kljub skrbni obdelavi, opisani v naših navodilih za uporabo, preverljive zaradi materialnih napak, odpravile naše servisno osebje. Garancija prevzame obliko, da bodo okvarjeni deli po lastni presoji brezplačno popravljene ali zamenjane z brezhibnimi deli. Zamenjani deli bodo postali naša last. Popravila ali zamenjava posameznih delov ne podaljšujejo garancijskega roka, dokler ne začne veljati nova garancijska doba za napravo. Za rezervne dele, ki se lahko pojavijo, se ne bo začelo ločeno garancijsko obdobje. Ne moremo ponuditi garancije za poškodbe in napake na napravah ali njihovih delih zaradi uporabe prekomerne sile, nepravilne obdelave in servisiranja. To velja tudi za neupoštevanje navodil za uporabo in namestitve ali rezervnih delov in dodatkov, ki niso vključeni v našo paleto izdelkov. V primeru motenj v napravi s strani nepooblaščenih oseb, se garancija razveljavi. Poškodbe, ki so posledica nepravilnega ravnanja, obremenitve ali naravne obrabe, so izključene iz garancije. Poškodbe, ki jih povzroči proizvajalec ali materialna napaka, se bodo popravile ali popravile z zagotavljanjem rezervnih delov. Predpogoj je, da se oprema preda sestavljena in skupaj z dokazilom o prodaji in garancijo. Za garancijski zahtevek uporabite samo originalno embalažo. Tako lahko zagotovimo hitro in gladko obdelavo garancij. Prosimo, pošljite nam naprave po plačilu ali zahtevajte nalepko za Freeway. Na žalost ne bomo mogli sprejeti naprav, ki niso postpaid. Garancija ne zajema delov, ki so predmet naravne obrabe. Če želite vložiti zahtevek za garancijo, prijaviti napake ali naročiti nadomestne dele ali dodatno opremo, se obrnite na spodnji prodajni center: Pridržujemo si pravico do sprememb brez predhodnega obvestila.

MLT

GARANYIJA

Dan l-apparat huwa prodott ta 'kwalità. Kienet imfassla f'konformità mal-istandards tekniċi attwali u saret b'attenzjoni bl-użu ta 'materjali normali u ta' kwalità tajba. Il-perjodu tal-garanzija huwa ta '24 xahar u jibda fid-data tax-xiri, li jista' jiġi vverifikat bir-riċevuta, fattura jew nota tal-kunsinna. Matul dan il-perjodu ta 'garanzija l-iżbalji funzjonali kollha, li, minkejja t-trattament bir-reqqa deskritt fil-manwal operattiv tagħna, huma verifikabbli minħabba difetti materjali, se jiġu kkoreġuti mill-istaff tagħna tas-servizz ta' wara l-bejgħ. Il-garanzija tiegħu l-forma li partijiet difettużi se jissewewew jew jiġu sostitwiti bi partijiet perfetti bla ħlas fid-diskrezzjoni tagħna. Partijiet mibdula jsiru proprjetà tagħna. Ix-xogħol ta 'tiswija jew is-sostituzzjoni ta' partijiet individuali ma jestendux il-perjodu ta 'garanzija mhux se jirriżulta f'li jibda perjodu ġdid ta' garanzija għall-apparat. Ma jibda l-ebda perjodu ta 'garanzija separat għal spare parts li jistgħu jiġu ted. Ma nistgħux noffru garanzija għal ħsara u difetti fuq l-apparat jew il-partijiet tagħhom ikkawżati mill-użu ta 'forza eċċessiva, trattament mhux xieraq u manutenzjoni. Dan japplika wkoll għal nuqqasijiet ta 'konformità mal-manwal tat-tħaddim u l-installazzjoni jew partijiet ta' rikambju u aċċessorji li mhumiex inkluzi fil-firxa ta 'prodotti tagħna. Fil-każ ta 'interferenza ma' modifiki fl-apparat minn persuni mhux awtorizzati, il-garanzija ssir nulla. Ħsarat li huma attribwiti għal immaniġġjar ħazin, tagħbija żejda, jew xedd u kedd naturali huma esklużi mill-garanzija. Danni kkawżati mill-manifattur jew minn difett materjali se jiġu kkoreġuti mingħajr ħlas permezz ta 'tiswija jew billi jiġu pprovduti spare parts. Il-prekwiżit huwa li t-tagħmir jiġi mghoddi immuntat, u komplut bil-prova tal-bejgħ u l-garanzija. Għal talba ta 'garanzija, uża biss l-imballaġġ oriġinali. B'dan il-mod, nistgħu niggarantixxu proċessar ta 'garanzija malajr u bla xkiel. Jekk jogħġbok ibgħatilna l-appliances post-paid jew itlib stiker tal-Freeway. Sfortunatament ma nkunux nistgħu naċċettaw apparat li ma jithallasx wara. Il-garanzija ma tkoprix partijiet li huma soġġetti għal ilbies u kedd naturali. Jekk tixtieq tagħmel talba għall-garanzija, irrapporta ħsarat jew tordna spare parts jew aċċessorji, jekk jogħġbok ikkuntattja ċ-ċentru ta 'wara l-bejgħ hawn taħt: Soġġett għal bidla mingħajr avvizz minn qabel.

SK

ZÁRUKA

Tento spotřebič je kvalitní výrobek. Bol navrhnutý v súlade s platnými technickými normami a opatrne používal bežné a kvalitné materiály. Záručná ehota je 24 mesiacov a začína plynúť dátumom nákupu, ktorý je možné overiť potvrdením, faktúrou alebo dodacím listom. Počas tejto záručnej lehoty všetky funkčné chyby, ktoré napriek starostlivej úprave popísanej v našom návode na bsľuhu sú overiteľné z dôvodu materiálnych nedostatkov, opravia naši pracovníci popredajného servisu. Záruka má formu, že vadné časti budú opravené alebo nahradené perfektnými dielmi bezplatne podľa nášho uváženia. Nahradené diely sa stanú našimi vlastnosťami. Opravné práce alebo výmena jednotlivých dielov predĺženie záručnej lehoty nevedie k vzniku novej záručnej lehoty pre spotrebič. Za náhradné diely, ktoré môžu byť dodané, sa nezačína samostatná záručná lehota. Nemôžeme ponúknuť záruku na poškodenie a poškodenie spotrebičov alebo ich častí spôsobené nadmernou silou, nesprávnou obsluhou a servisom. Platí to aj pre poruchy v súlade s návodom na obsľuhu a inštaláciou alebo náhradnými dielmi a príslušenstvom, ktoré nie sú súčasťou našej ponuky. V prípade zásahu do modifikácie spotrebiča neoprávnenými osobami sa záruka stane neplatnou. Škody, ktoré sú spôsobené nesprávnou manipuláciou, nadmerným zaťažením alebo prirodzeným opotrebovaním, sú z záruky vylúčené. Škody spôsobené výrobcom alebo chybou materiálu budú opravené bezplatne opravou alebo poskytnutím náhradných dielov. Predpokladom je, že zariadenie je odovzdané a kompletné s dokladom o predaji a zárukou. Pokiaľ ide o nárok na záruku, použite iba pôvodný obal. Týmto spôsobom môžeme zaručiť rýchle a plynulé spracovanie záruky. Pošlite nám, prosím, spotrebiče, ktoré ste už zaplatili, alebo požiadajte o nálepku Freeway. Bohužiaľ nebudeme môcť prijať zariadenia, ktoré nie sú vyplatené. Záruka sa nevzťahuje na časti, ktoré sú vystavené prirodzenému opotrebovaniu. Ak chcete požiadať o záruku, oznámíť chyby alebo objednať náhradné diely alebo príslušenstvo, obráťte sa na nižšie uvedené stredisko popredajného servisu: Podliehajú zmenám bez predchádzajúceho upozornenia.

BG

ГАРАНЦИЯ

Този уред е качествен продукт. Той е проектиран в съответствие с действащите технически стандарти и е направен внимателно при използване на нормални, качествени материали. Гаранционният срок е 24 месеца и започва да тече от датата на покупката, която може да бъде потвърдена с квитанция, фактура или документ за доставка. По време на този гаранционен период всички функционални грешки, които, въпреки внимателното третиране, описано в нашето ръководство за експлоатация, са проверими поради материални недостатъци, ще бъдат отстранени от нашия сервизен персонал. Гаранцията приема формата, в която дефектните части ще бъдат ремонтирани или заменени с перфектни части безплатно по наше усмотрение. Подменените части ще станат наша собственост. Ремонтните работи или подмяната на отделни части няма да удължат гаранционния срок, без това да доведе до започване на нов гаранционен период за уреда. За резервни части, които могат да бъдат поставени, няма да започне отделен гаранционен срок. Не можем да предложим гаранция за повреди и дефекти на уредите или техните части, причинени от използването на прекомерна сила, неправилно третиране и обслужване. Това важи и за неспазване на ръководството за експлоатация и инсталацията, както и резервни и допълнителни части, които не са включени в нашата гама от продукти. В случай на намеса в модификации на уреда от неупълномощени лица, гаранцията ще бъде премахната. Щети, които се дължат на неправилно боравене, натоварване или естествено износване, са изключени от гаранцията. Щети, причинени от производителя или от дефект на материала, ще бъдат поправени без заплащане чрез ремонт или чрез предоставяне на резервни части. Предпоставка е оборудването да се съглобява и да се допълни с доказателство за продажба и гаранция. За гаранционна претенция използвайте само оригиналната опаковка. По този начин можем да гарантираме бърза и гладка обработка на гаранциите. Моля, изпратете ни уредите след плащане или заявете стикер на Freeway. За съжаление няма да можем да приемаме уреди, които не са с абонамент. Гаранцията не покрива части, които са обект на естествено износване. Ако желаете да направите гаранционна претенция, да съобщите за неизправности или да поръчате резервни части или аксесоари, моля свържете се с центъра за поддръжка по-долу: Подлежи на промяна без предизвестие.

RO

GARANȚIE

Acest aparat este un produs de calitate. A fost proiectat în conformitate cu standardele tehnice actuale și a făcut cu atenție materiale normale, de bună calitate. Perioada de garanție este de 24 de luni și începe la data cumpărării, care poate fi verificată prin chitanță, factură sau buletin de livrare. În timpul acestor perioade de garanție, toate erorile funcționale, care, în ciuda tratamentului atent descris în manualul nostru de utilizare, sunt verificabile din cauza defectelor materiale, vor fi rectificate de personalul nostru de service post-vânzare. Garanția ia forma faptului că piesele defecte vor fi reparate sau înlocuite cu piese perfecte gratuit, la discreția noastră. Piesele înlocuite vor deveni proprietatea noastră. Lucrările de reparații sau înlocuirea pieselor individuale nu vor prelungi perioada de garanție, deoarece nu vor duce la începerea unei noi perioade de garanție pentru aparat. Nu se va începe nici o perioadă de garanție separată pentru piesele de schimb care pot fi incluse. Nu putem oferi o garanție pentru defecțiunile și defectele aparatelor sau ale pieselor acestora cauzate de utilizarea forței excesive, tratarea necorespunzătoare și întreținerea. Acest lucru se aplică și în caz de nerespectare a manualului de utilizare și a pieselor de instalare sau de rezervă și accesoriilor care nu sunt incluse în gama noastră de produse. În caz de interferență cu modificările aduse aparatului de către persoane neautorizate, garanția va fi anulată. Daunele care pot fi atribuite manipulării necorespunzătoare, supraîncălzirii sau uzurii naturale sunt excluse din garanție. Deteriorările cauzate de producător sau de un defect material vor fi corectate gratuit, prin reparații sau prin furnizarea de piese de schimb. Condiția prealabilă este ca echipamentul să fie predat în asamblare și să fie completat cu dovada vânzării și a garanției. Pentru o cerere de garanție, utilizați numai ambalajul original. În acest fel, putem garanta procesarea rapidă și fără probleme a garanției. Trimiteți-ne aparatele post-plătite sau solicitați un autocolant Freeway. Din păcate, nu vom putea accepta dispozitive care nu sunt plătite post-paid. Garanția nu acoperă piese care sunt supuse uzurii naturale. Dacă doriți să solicitați o garanție, să semnați defecțiuni sau să comandați piese de schimb sau accesoriile, vă rugăm să contactați centrul de asistență tehnică de mai jos: Pot fi modificate fără o notificare prealabilă.

NMK

ГАРАНЦИЈА

страна на нашите сервисни служби. Гаранцијата е во форма која дефектните делови ќе бидат поправени или заменети со совршени делови бесплатно по наша дискреција. Заменетите делови ќе станат наш сопственост. Поправки или замена на поединечни делови нема да го продолжат гарантниот рок, туку ќе резултира со започнување на нов гарантен рок за апаратот. Нема да отпочне одделен гарантен рок за резервни делови што може да се користат. Не можеме да понудиме гаранција за оштетувања и дефекти на апаратите или нивните делови предизвикани од употреба на прекумерна сила, неправилен третман и сервисирање. Ова исто така важи и за неуспехот да се усогласат со оперативниот прирачник и инсталационите или резервните и помошни делови што не се вклучени во нашиот асортиман на производи. Во случај на пречки во промените на апаратот од страна на неовластени лица, гаранцијата ќе биде поништена. Оштетувањата што се припишуваат на неправилно ракување, над товарење или природна употреба се исклучени од гаранцијата. Оштетувањата предизвикани од производителот или од материјален дефект ќе бидат поправени без надомест со поправка или со обезбедување на резервни делови. Предуслов е дека опремата е предадена собрани, а заврши со доказ за продажба и гаранција. За барање за гаранција, користете го оригиналното пакување. На тој начин можеме да гарантираме брза и непречена обработка на гаранциите. Ве молиме испратете ги апаратите пост-пејд или побарајте налепница со Freeway. За жал нема да можеме да прифатиме апарати кои не се пост-пејд. Гаранцијата не ги покрива деловите што се предмет на природно абеење. Ако сакате да поднесете барање за гаранција, да пријавите грешки или да нарачате резервни делови или додатоци, ве молиме контактирајте го центарот за продавање подолу: Предмет на промена без претходна најава. најава.

HUN

GARANCIÁ

Ez a készülék minőségi termék. Úgy tervezték, hogy megfeleljen a jelenlegi műszaki szabványoknak, és gondosan, normál, jó minőségű anyagokkal készült. A jótállási idő 24 hónap, és a vásárlás napján kezdődik, amelyet a kézhezvétellel, a számla vagy a kézbesítési értesítés igazolhat. A garanciaidő alatt minden olyan funkcionális hiba, amely az üzemeltetési utasításunkban leírt gondos kezelés ellenére bizonyíthatóan az anyagi hibák miatt következik be, a vevőszolgálatunk javítja. A garancia olyan formája, hogy a hibás alkatrészek javítása vagy cseréje a tökéletes alkatrészekkel ingyenes. A cserélt részek tulajdonunk lesz. A javítási munkák vagy az egyes részek cseréje nem hosszabbítja meg a jótállási időszakot, és nem eredményez új garanciaidő megkezdését a készülék számára. Nincs külön garanciaidő a pótalkatrészek esetén. Nem nyújtunk garanciát a készülékek vagy alkatrészek károsodására és hibáira a túlzott erő, a helytelen kezelés és a karbantartás miatt. Ez vonatkozik az üzemeltetési utasítás és a telepítés, illetve a tartalék és tartozék alkatrészeinek meg nem felelésére is, amelyek nem tartoznak a termékínajlatunkba. Abban az esetben, ha a készülék jogosulatlanság személy általi módosításai zavarnak, a garancia érvényét veszti. A nem megfelelő kezelés, a terhelés vagy a természetes kopás okozta károk nem tartoznak a garancia hatálya alá. A gyártó vagy az anyaghiba által okozott károkat a javítás vagy a pótalkatrészek beszerzése nélkül kijavítják. Az előfeltétel az, hogy a berendezést összeszerelték, és az értékesítés és a garancia igazolásával kiegészüljön. A garancia igényléséhez csak az eredeti csomagolást használja. Így garantálhatjuk a gyors és zökkenőmentes garanciafeldolgozást. Kérjük, küldje el nekünk a készüléket utólag fizetett vagy kérjen Freeway matricát. Sajnos nem tudjuk elfogadni a nem utólag fizetett készülékeket. A garancia nem terjed ki a természetes kopásnak kitett alkatrészekre. Ha garanciális igényt kíván nyújtani, hibákat jelenteni vagy pótalkatrészeket vagy tartozékokat rendelni, kérjük, vegye fel a kapcsolatot az alábbi értékesítési központtal: Előzetes értesítés nélkül változhat.

POL

GWARANCJA

To urządzenie jest produktem wysokiej jakości. Został zaprojektowany zgodnie z aktualnymi standardami technicznymi i wykonany starannie przy użyciu zwykłych, dobrej jakości materiałów. Okres gwarancji wynosi 24 miesiące i rozpoczyna się w dniu zakupu, który można zweryfikować za pomocą paragonu, faktury lub dowodu dostawy. W okresie gwarancji wszystkie błędy funkcjonalne, które pomimo starannego traktowania opisanego w naszej instrukcji obsługi, są weryfikowalne przez wady materiałowe, zostaną naprawione przez nasz personel obsługi posprzedażnej. Gwarancja ma formę, w której wadliwe części zostaną naprawione lub wymienione na części zamiennie bezpłatnie według naszego uznania. Wymienione części staną się naszą własnością. Naprawa lub wymiana pojedynczych części nie przedłuża okresu gwarancji, nie spowoduje to rozpoczęcia nowego okresu gwarancyjnego dla urządzenia. Nie rozpocznie się oddzielny okres gwarancji na części zamiennie, które mogą być używane. Nie możemy zaoferować gwarancji na uszkodzenia i usterki urządzeń lub ich części spowodowane użyciem nadmiernej siły, niewłaściwego traktowania i serwisowania. Dotyczy to również nieprzestrzegania instrukcji obsługi i instalacji lub części zamiennych i akcesoriów, które nie są zawarte w naszej ofercie produktów. W przypadku ingerencji w modyfikacje urządzenia przez osoby nieuprawnione, gwarancja zostanie unieważniona. Szkody, które można przypisać niewłaściwej obsłudze, nadmiernemu obciążeniu lub naturalnemu zużyciu, są wyłączone z gwarancji. Uszkodzenia spowodowane przez producenta lub wadę materiałową zostaną naprawione bezpłatnie przez naprawę lub przez dostarczenie części zamiennych. Warunkiem wstępnym jest przekazanie sprzętu w komplecie wraz z dowodem sprzedaży i gwarancją. W przypadku reklamacji należy używać tylko oryginalnego opakowania. W ten sposób możemy zagwarantować szybkie i płynne przetwarzanie gwarancji. Prześlij nam urządzenia post-paid lub zamów naklejkę na autostradę. Niestety nie będziemy mogli akceptować urządzeń, które nie są opłacane z dołu. Gwarancja nie obejmuje części ulegających naturalnemu zużyciu. Jeśli chcesz zgłosić roszczenie gwarancyjne, zgłoś usterki lub zamówić części zamiennie lub akcesoria, skontaktuj się z następującym centrum obsługi posprzedażnej: Zastrzega się możliwość zmian bez uprzedzenia.

ALB

GARANCI

Kjo pajisje është një produkt cilësor. Washtë hartuar në përputhje me standardet aktuale teknike dhe është bërë me kujdes duke përdorur materiale normale, me cilësi të mirë. Periudha e garancisë është 24 muaj dhe fillon në datën e blerjes, e cila mund të vërtetohet me faturën, faturën ose dorëzimin. Gjatë kësaj periudhe garancie, të gjitha gabimet funksionale, të cilat, përkundër trajtimit të kujdesshëm të përshkruar në manualin tonë të funksionimit, janë verifikueshëm për shkak të metave të materialit, do të korrigjohen nga stafi ynë i shërbimit pas shitjes. Garancia merr formën që pjesët e dëmtuara do të riparohen ose zëvendësohen me pjesët të përsosura falas, sipas gjykimit tonë. Pjesët e zëvendësuara do të bëhen pronë jonë. Puna e riparimit ose zëvendësimit i pjesëve individuale nuk do të zgjasë periudhën e garancisë, por nuk do të rezultojë në fillimin e një periudhe të re garancie për pajisjen. Asnjë periudhë e veçantë e garancisë nuk do të fillojë për pjesët rezervë që mund të merren. Ne nuk mund të ofrojmë një garanci për dëmtimin dhe defektet e pajisjeve ose pjesëve të tyre të shkaktuara nga përdorimi i forcës së tepërt, trajtimi dhe shërbimi i pahijshëm. Kjo gjithashtu vlen për dëmtimet në përputhje me manualin e funksionimit dhe instalimin ose pjesët rezervë dhe aksesori që nuk përfshihen në gamën tonë të produkteve. Në rast ndërhyrje në modifikimet e pajisjes nga persona të paautorizuar, garancia do të hiqet. Dëmet që mund t'i atribuohen trajtimit të pahijshëm, ngarkimit të tepërt, ose konsumit natyror, përjashtohen nga garancia. Dëmet e shkaktuara nga prodhuesi ose nga një defekt i materialit do të korrigjohen pa pagesë me riparim ose duke siguruar pjesë këmbimi. Parakushti është që pajisjet të dorëzohen të montuara, dhe të kompletuara me provën e shitjes dhe garancisë. Për një kërkesë garancie, përdorni vetëm paketimin origjinal. Në atë mënyrë, ne mund të garantojmë përpunim të shpejtë dhe të qetë të garancisë. Ju lutemi na dërgoni pajisjet me postë të paguar ose kërkoni një afishe autostradë. Për fat të keq, ne nuk do të jemi në gjendje të pranojmë pajisje që nuk janë me kontratë. Garancia nuk përfshin pjesë që i nënshtrohen konsumit natyror. Nëse dëshironi të bëni një kërkesë për garanci, të raportoni gabime ose të porosisni pjesë rezervë ose pajisje, ju lutemi kontaktoni qendrën pas shitjes më poshtë: Subjekti për të ndryshuar pa njoftim paraprak.

HR

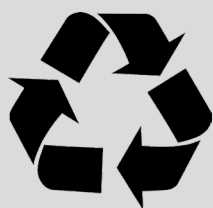
JAMSTVO

Ovaj je uređaj kvalitetan proizvod. Dizajniran je u skladu s trenutnim tehničkim standardima i izrađen je pažljivo koristeći normalne, kvalitetne materijale. Garancijsko razdoblje je 24 mjeseca i započinje datumom kupnje, što se može potvrditi potvrdom primitka, računa ili dostavnice. Tijekom ovog jamstvenog razdoblja sve će funkcionalne pogreške, koje su unatoč pažljivom postupanju opisanom u našem priručniku za upotrebu provjerljivo zbog materijalnih nedostataka, otkloniti od strane našeg servisnog osoblja. Jamstvo ima oblik da će se oštećeni dijelovi besplatno popraviti ili zamijeniti savršenim dijelovima, po našem nahođenju. Zamijenjeni dijelovi postat će naše vlasništvo. Popravak ili zamjena pojedinih dijelova neće produžiti jamstveno razdoblje, jer neće rezultirati novim jamstvenim rokom za uređaj. Neće započeti zasebni jamstveni rok za rezervne dijelove koji se mogu trošiti. Ne možemo pružiti jamstvo za oštećenja i oštećenja uređaja ili njihovih dijelova uzrokovanih prekomjernom silom, nepravilnim postupanjem i servisiranjem. To se također odnosi i na neusklađivanje s uputama za uporabu i instalacijskim ili rezervnim i pomoćnim dijelovima koji nisu uključeni u naš asortiman proizvoda. U slučaju ometanja neovlaštenih osoba na izmjenama uređaja, jamstvo će se poništiti. Oštećenja koja se mogu pripisati nepravilnom rukovanju, preopterećenju ili prirodnom habanju isključena su iz jamstva. Štete uzrokovane proizvođačem ili oštećenjem materijala ispravit će se besplatnim popravkom ili osiguravanjem rezervnih dijelova. Preduvjet je da se oprema preda u sastavu, zajedno s dokazom o prodaji i garancijom. Za garancijski zahtjev koristite samo originalno pakiranje. Na taj način možemo jamčiti brzu i glatku obradu jamstava. Pošaljite nam uređaje naknadno ili zatražite naljepnicu autoputa. Nažalost, nećemo biti u mogućnosti prihvatiti uređaje koji nisu preplaćeni. Jamstvo ne obuhvaća dijelove koji su podložni prirodnom habanju. Ako želite podnijeti zahtjev za jamstvom, prijaviti kvarove ili naručiti rezervne dijelove ili pribor, molimo kontaktirajte dolje prodajni centar: Podložno promjenama bez prethodne najave.

SRB

ГAРАНЦИЈА

Ovaj aparat je kvalitetan proizvod. Dizajniran je u skladu sa trenutnim tehničkim standardima i rađen pažljivo koristeći normalne, kvalitetne materijale. Garantni rok je 24 meseca i započinje danom kupovine, što se može verifikovati primaњem, fakturnom или otpremnicom. Tokom ovog garantnog perioda, sve funkcionalne greške koje se, uпрkos pažljivom postupanju opisanom u našem uputstvu za upotrebu, verovatno mogu proveriti zbog materijalnih nedostataka, otkloniће od strane нашег сервисног особља. Гаранција добија облик да ће се неисправни делови поправити или заменити савршеним деловима бесплатно по нашем нахођењу. Замене делови постаће наше власништво. Поправци или замена појединих делова неће продужити гарантни рок јер неће резултирати новим гаранцијским роком за апарат. Неће почети посебан гарантни рок за резервне делове који се могу напунити. Не можемо пружити гаранцију за оштећења и оштећења уређаја или њихових делова насталих прекомерном силом, неправилним третманом и сервисирањем. Ово се такође односи и на непоштовање упутства за употребу и инсталационих или резервних и помоћних делова који нису обухваћени нашим асортиманом производа. У случају ометања модификација уређаја од стране неовлашћених особа, гаранција ће се поништити. Оштећења која се могу приписати неправилном руковању, преоптерећењу или природном хабању су искључена из гаранције. Оштећења настала од стране произвођача или оштећења материјала исправљаће се или поправљањем резервних делова бесплатно. Предуслов је да се опрема преда у саставу, заједно са доказом о продаји и гаранцијом. За захтев о гаранцији користите само оригинално паковање. На тај начин можемо гарантовати брзу и глатку обраду гаранција. Пошаљите нам уређаје накнадно или затражите налепницу са аутопута. На жалост, нећемо бити у могућности да прихватимо уређаје који нису плаћени. Гаранција не покрива делове који су изложени природном хабању. Ако желите да поднесете захтев за гаранцијом, пријавите грешке или наручите резервне делове или додатну опрему, молимо контактирајте доњи продајни центар: Могу се променити без претходне најаве.



The instructions manual is also available in digital format on our website
www.nikolaoutools.com. Find it by entering the product code in the Search "Q" field.

Μπορείτε να βρείτε τις οδηγίες χρήσης και σε ηλεκτρονική μορφή μέσω της ιστοσελίδας μας
www.nikolaoutools.com. Αναζητήστε τις με τον κωδικό προϊόντος στο πεδίο Αναζήτηση "Q".