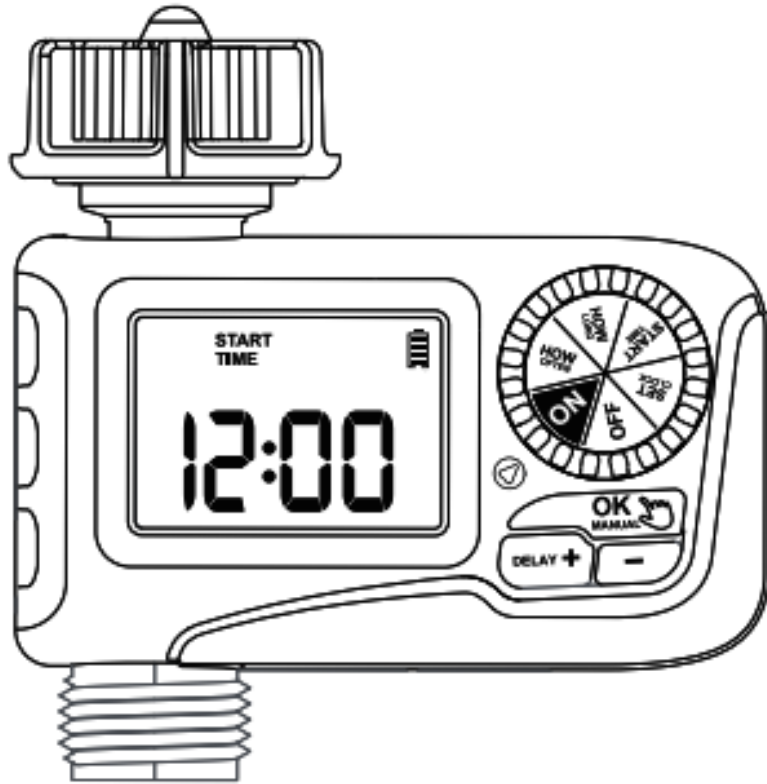


# USER MANUAL

English  Español



Model: ITV105

## WARM TIPS PLEASE READ BEFORE USING



Don't use the water timer when the temperature is below 37°F(3°C), and please store the timer indoors to avoid potential freezing damage.



The filter traps dirt particles, preventing them from entering the timer and causing clogging. Please clean the filter regularly and replace it if worn.



To ensure a longer lifespan, please use 2 new AAA alkaline batteries (not included). Don't mix new and old alkaline, standard (carbon-zinc), or rechargeable batteries.



Please activate the water timer before first use or after a period of inactivity (Refer to page 6: **ACTIVATE THE TIMER BEFORE USE**).



Only use with clean cold water.

**FOR ANY PROBLEMS DURING USE, PLEASE CONTACT US:**



Web: [www.rainpointonline.com](http://www.rainpointonline.com)



Email: [service@rainpointus.com](mailto:service@rainpointus.com)



WhatsApp: +1 626-780-5952



US Free Hotline(English):

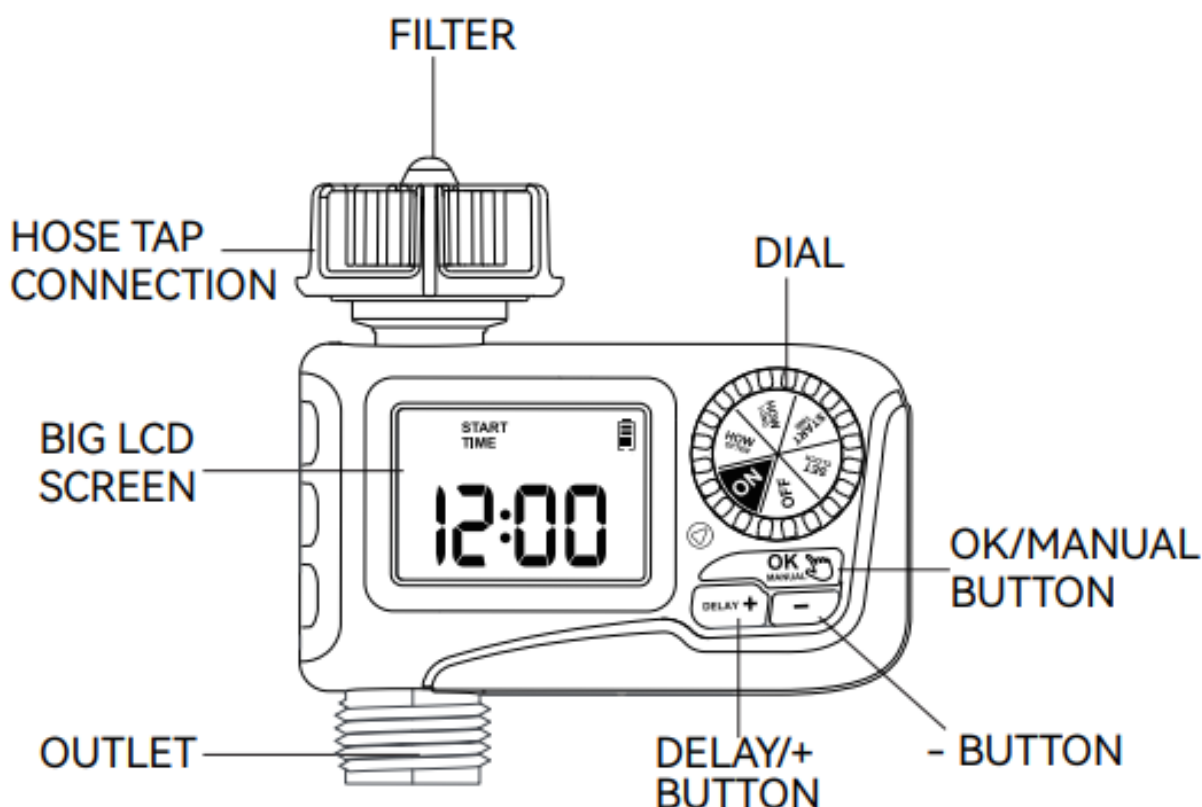
+1 833-381-5659(MON-FRI 9:30 AM-5:30 PM PST)

UK Free Hotline(English Deutsch):

+44 800-808-5337(MON-FRI 9:00 AM-5:00 PM CET )

# PRODUCT OVERVIEW

## At A GLANCE



- **DIAL:** Rotate the dial to customize your watering schedule.
- **OK / MANUAL BUTTON:** Use "OK" to confirm the time. When the dial is turned to "ON", press and hold "MANUAL" to water manually.
- **DELAY / + BUTTON :** Use "+" to adjust the time. When the dial is turned to "ON", press and hold "DELAY" to activate Rain Delay.
- **- BUTTON :** Use "-" to adjust the time.



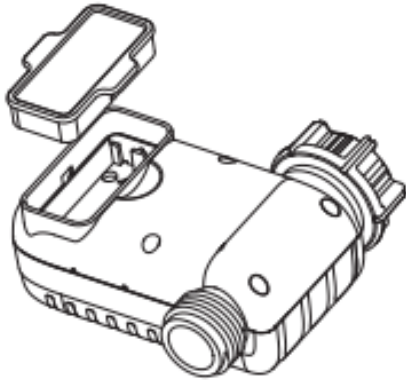
DIAL POSITION	FUNCTION
SET CLOCK	Set the current time (US defaults to 12-hour clock)
START TIME	Select what time you would like to start watering
HOW LONG	Determine how long to water (water duration)
HOW OFTEN	Choose how often you will water (water frequency)
ON	Timer runs according to your customized schedule
OFF	Turn off all watering

## SPECIFICATION

Working Water Pressure	0.5bar-8bar (7.25 psi-116.03 psi)
Max Flow Rate	10 Gal/Min (35L/Min)
Waterproof Level	IP54
Working Temperature	37.4°F-122°F (3°C-50°C)
Watering Frequency	Every 1-12 hours or every 1-7 days
Watering Duration	From 1 minute to 3 hours 59 minutes (4 hours)
Water Inlet	NH (US) for 3/4" taps BSP(EU) for 3/4" or 1" taps
Water Outlet	For 3/4" standard garden hose
Power By	2 AAA (1.5V) alkaline batteries (Not Included)


# PRODUCT INSTALLATION

## INSTALLING THE BATTERIES

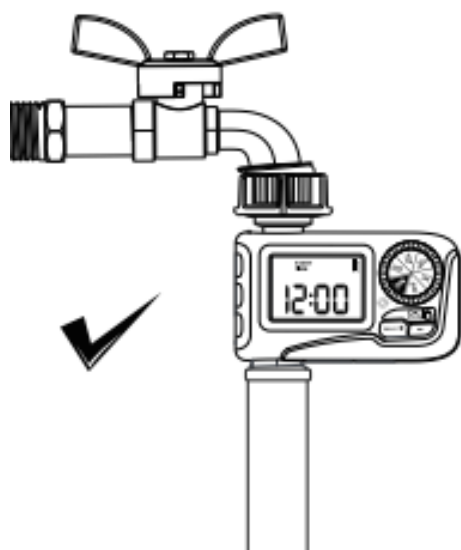


- 1) Remove the battery compartment cover on the back of the timer.
- 2) Insert 2 new AAA (1.5V) alkaline batteries (not included).
- 3) Put the battery compartment cover back on the timer and press firmly to make sure it is completely sealed.

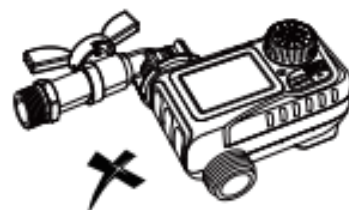
### ▲ Note:

- Install the battery tray cover securely after installing the battery to ensure waterproofing.
- When the timer is not used for a long time, please remove the batteries and dispose of them properly.
- Replace batteries when the low battery indicator  appears on display.
- Don't dispose of batteries in fire. Batteries may explode or leak.
- To ensure a longer lifespan, please use 2 new AAA alkaline batteries (not included). Don't mix new and old alkaline, standard (carbon-zinc), or rechargeable batteries.

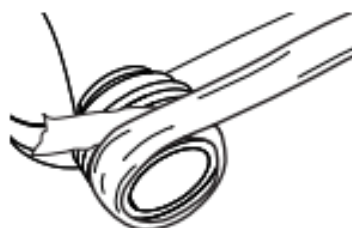
## INSTALLING THE TIMER



- 1) Turn off the garden faucet.
- 2) Wrap Teflon Tape around the faucet threads.
- 3) Screw the timer to the garden faucet and make the display as vertical as possible to the ground to prevent rainwater from accumulating and leaking into the interior.
- 4) Wrap Teflon Tape around the threads of the timer outlet.
- 5) Screw the garden hose to the timer outlet.
- 6) Turn on the faucet after programming the timer.



**Tips:** If the connection between the timer and the faucet or hose is not tight or leaking, wrap more Teflon Tape (thread seal tape) to make them tight.



### Note:

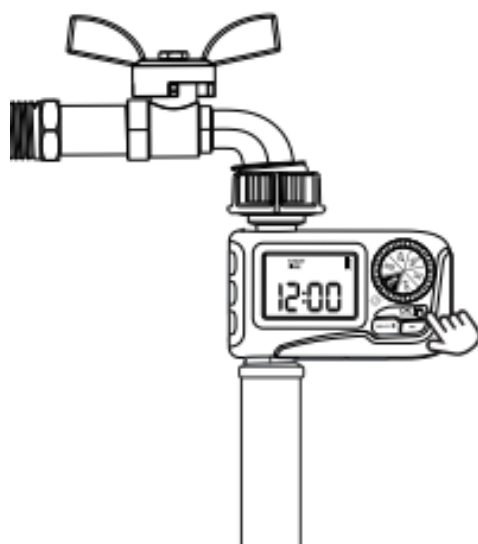
- ⊗ Please do not use tools, only install the timer by hand.
- ⊗ When expecting freezing temperatures, timers should be removed from the hose faucet and stored indoors to avoid potential freeze damage.
- ▲ Please install the filter properly and keep it clean as follows.



## ACTIVATE THE TIMER BEFORE USE

⚠ Please activate the device before using it for the first time or after a period of inactivity.

### Activation steps:



1. Keep the garden faucet turned off.
2. Turn the timer dial to "ON".
3. Press and hold the "MANUAL" button for 3-5s to enter Manual Watering Mode.
4. When the screen flashes, press the "OK" button to run manual watering.
5. After hearing the "click" sound or waiting for about 5 secs, the valve in the timer is opened, then turn the dial to "OFF" to close the valve.
6. Repeat step 2 - 5 for 3-5 times.
7. Test: Turn on the faucet a little bit, and then repeat step 2-5 to check if the water flow out or shut off as expected.

If yes, the timer valve is normal, please use it with confidence!  
If not, please repeat the above steps several times or contact RAINPOINT support team immediately.

**Note:** When testing, please keep away from the water timer outlet to avoid being splashed and wet.

# PROGRAMMING YOUR TIMER

## STEP 1: SET CLOCK

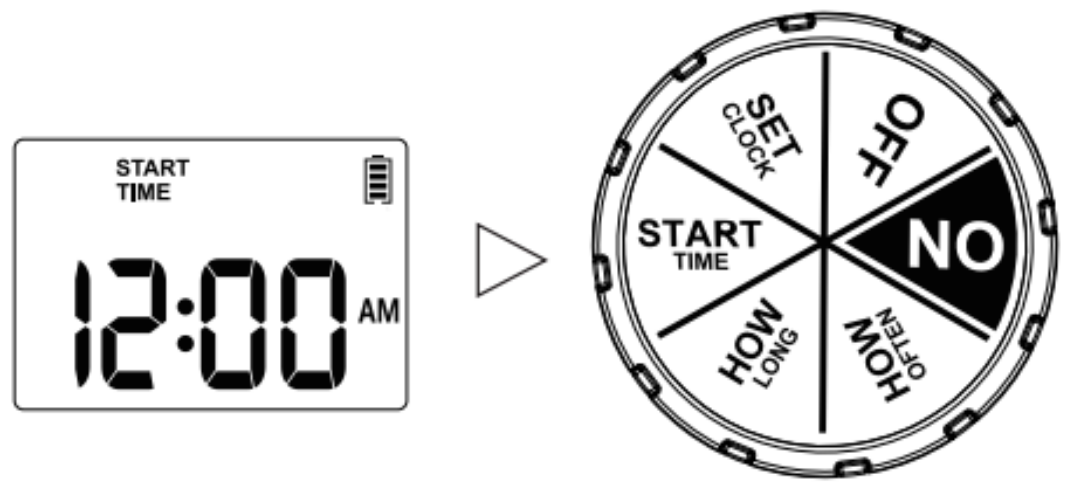


- 1) Turn the dial to **SET CLOCK**.
- 2) Use the "+" and "-" buttons to set the current exact time, including AM and PM. (US defaults to 12-hour clock, EU defaults to 24-hour clock)
- 3) Use the "OK" button to confirm and switch between hours or minutes.
- 4) Turn the dial clockwise to save the changes in this STEP and go to next STEP.

**Tips:** When the setup of this STEP is finished, please turn the dial to save the changes instead of press the "OK" button. If you press the "OK" button after setting, it will return to the previous setting instead of saving it.

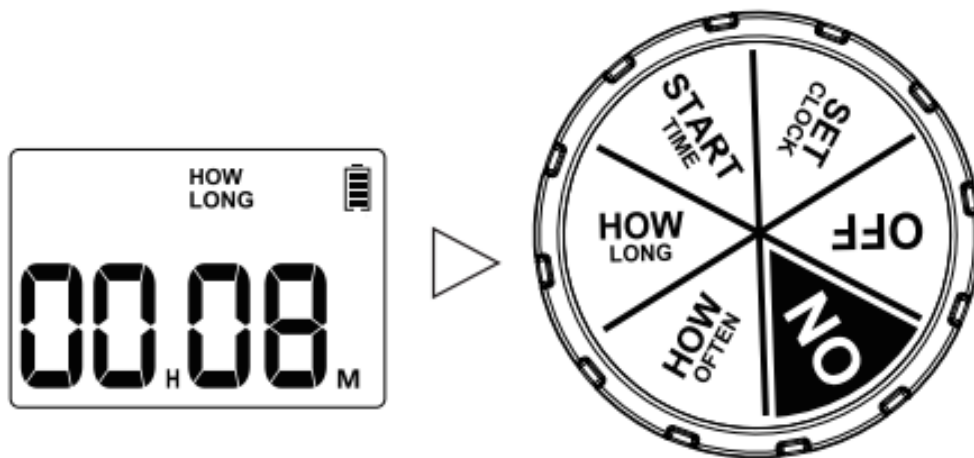


## STEP 2: START TIME



- 1) Turn dial to **START TIME**.
- 2) Use the "+" and "-" buttons, to set the time you want to start watering, including AM and PM.
- 3) Use the "OK" button to switch time (Hours or Minutes).
- 4) Turn the dial clockwise to save the changes in this STEP and go to next STEP.

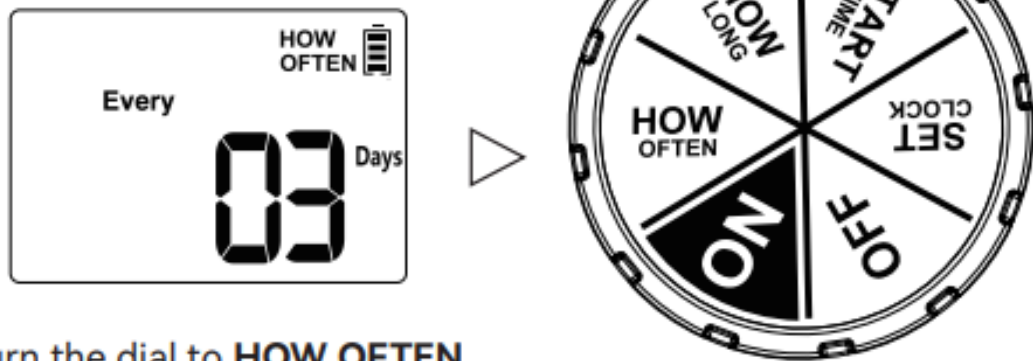
**Tips:** When the setup of this STEP is finished, please turn the dial to save the changes instead of press the "OK" button. If you press the "OK" button after setting, it will return to the previous setting instead of saving it.

**STEP 3: HOW LONG**

- 1) Turn dial to **HOW LONG**.
- 2) Use the "+" and "-" buttons, to select watering duration from 1 minute to 3 hours 59 minutes.
- 3) Using the "OK" button to switch time ( Hours or Minutes).
- 4) Turn the dial clockwise to save the changes in this STEP and go to next STEP.

**Tips:** When the setup of this STEP is finished, please turn the dial to save the changes instead of press the "OK" button. If you press the "OK" button after setting, it will return to the previous setting instead of saving it.

## STEP 4: HOW OFTEN



- 1) Turn the dial to **HOW OFTEN**.
- 2) Use "+" and "-" buttons, to set your watering frequency. You can choose to water every 1 to 12 hours, or every 1 to 7 days.
- 3) Turn the dial clockwise to save the changes in this STEP and go to next STEP.

**Examples of watering frequency of every 1 day, every 2 days and every 3 days:**

### EVERY 1 DAY

	SUNDAY	MONDAY	TUESDAY	WEDNESDAY	THURSDAY	FRIDAY	SATURDAY
EVERY WEEK	☹	☹	☹	☹	☹	☹	☹

### EVERY 2 DAY

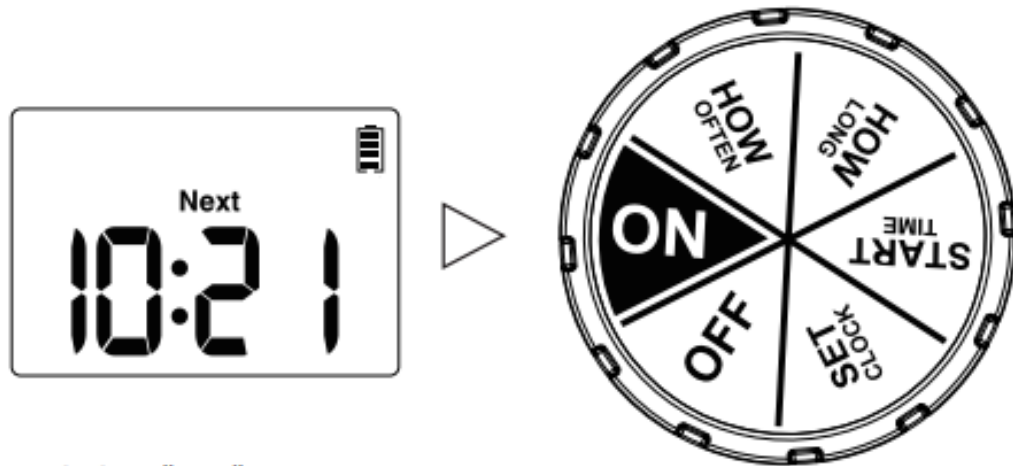
	SUNDAY	MONDAY	TUESDAY	WEDNESDAY	THURSDAY	FRIDAY	SATURDAY
WEEK ONE		☹		☹		☹	
WEEK TWO	☹		☹		☹		☹

### EVERY 3 DAY

	SUNDAY	MONDAY	TUESDAY	WEDNESDAY	THURSDAY	FRIDAY	SATURDAY
WEEK ONE		☹			☹		
WEEK TWO	☹			☹			☹

**Tips:** When the setup of this STEP is finished, please turn the dial to save the changes instead of press the "OK" button. If you press the "OK" button after setting, it will return to the previous setting instead of saving it.

## STEP 5: AUTOMATIC WATERING



- 1) Turn dial to "ON".
- 2) The LCD screen will display the current time and the next time to start watering.



Current Time



Next Watering Start Time

### CONGRATULATIONS!

Your timer has now been programmed successfully. It will start watering automatically based on the programmed start time, duration and frequency.

Now you can keep the faucet turned on and trust the timer to do the watering!

## ADDITIONAL FUNCTIONS

### RAIN DELAY



Setting rain delay 24/48/72H



Performing rain delay

Rain delay allows you to postpone watering for a set period of time, and it will not interrupt your original schedule.

To access the rain delay, follow the steps below.

- 1) With the dial on "ON", press "DELAY" button for 3-5s to start the delay watering function.
- 2) There will be a delay period on the screen which default "24H"  
You can press button "+" or "-" to choose the delay period from 24H, 48H, and 72H.
- 3) Press "OK" button to run the delay function after selecting the delay time, and all watering plans will be skipped during this period.
- 4) To remove rain delay, hold the "DELAY" button for 3-5s again to resume your programmed watering schedule.

**Note:** Please remember to press the "OK" button after selecting the rain delay time to start the rain delay program. Otherwise, the rain delay setting will automatically exit after the screen flashes for 3-5s.

## MANUAL / HAND WATERING




Setting manual watering  
1min~8hrs



Performing manual watering

This function allows you to manually water without interrupting your set watering schedule. To access this feature, please follow the steps below.

- 1) Turn the dial to "ON".
- 2) Press and hold the "MANUAL" button for 3-5s to enter the Manual Watering Mode.
- 3) Press the "+" or "-" buttons to adjust the manual watering time from 1 minute to 8 hours.  
(The default manual watering time is 10 minutes.)
- 4) After setting the watering time, press the "OK" button to start manual watering and the pattern  will be displayed on the screen.
- 5) If you need to stop the manual watering, please hold the "MANUAL" button for 3-5s to exit the manual watering mode and restore the original watering program.  
(Or you can turn the dial to "OFF" to stop the manual watering, but please remember to turn the dial to "ON" again to restore the original watering program.)

**Note:** Please remember to press the "OK" button after setting the manual watering time to start manual watering. Otherwise, the manual watering setting will be automatically exited after the screen flashes for about 3-5s.

## OFF MODE



- 1) If you wish to stop the watering plan for an extended period, turn the dial to "OFF". (Your settings are saved)
- 2) The timer will not water automatically while in OFF mode. (The screen will display the word OFF in large letters).
- 3) To start watering automatically again, turn the dial back to "ON" to resume your programmed watering schedule.

## BATTERY STATUS


Battery Status will be displayed as following:



Full



Low Power

**Note:** When the low battery indicator  appears on display, the valve will close automatically to avoid leakage. Please replace the battery in time in case of interrupting the normal operation.

## TROUBLESHOOTING

<b>Problem</b>	<b>Possible Cause</b>	<b>Possible Solution</b>
The water inlet leakage	<ol style="list-style-type: none"> <li>1. No filter or not be placed horizontally</li> <li>2. The faucet is not the standard 3/4"</li> </ol>	<ol style="list-style-type: none"> <li>1. Add a filter and make sure it's placed horizontally in the inlet.</li> <li>2. Make sure the faucet is a standard 3/4" faucet.</li> <li>3. Wrap Teflon tape on the tap making it tight.</li> </ol>
The water won't stop/flow out	<ol style="list-style-type: none"> <li>1. Long time in storage and transportation make the valve inactive</li> <li>2. Valve blockage</li> </ol>	<ol style="list-style-type: none"> <li>1. Keep the tap turned off and turn the timer dial to ON;</li> <li>2. Run the manual watering for 5-7s and stop it;</li> <li>3. Repeat the Step 2 for 3 to 5 times;</li> <li>4. Try using it normally.</li> </ol>
No response for manual/rain delay function	<ol style="list-style-type: none"> <li>1. After setting manual watering or rain delay time, without pressing OK button to save and run.</li> </ol>	<ol style="list-style-type: none"> <li>1. Press OK button again after the time is set to confirm.</li> </ol>
Short battery life	<ol style="list-style-type: none"> <li>1. Mixed use of old and new batteries</li> <li>2. Use the carbon batteries or rechargeable batteries</li> </ol>	<ol style="list-style-type: none"> <li>1. Use new alkaline batteries.</li> <li>2. Rechargeable batteries and carbon batteries have a short life, use the alkaline batteries instead of them.</li> </ol>



Low water pressure	<ol style="list-style-type: none"> <li>1. Filter blockage</li> <li>2. Inlet pressure not sufficient to support watering needs</li> </ol>	<ol style="list-style-type: none"> <li>1. Check if the filter is clogged, if so, clean or replace the filter.</li> <li>2. Make sure the timer is installed properly and not cross-threaded.</li> <li>3. Installation of a booster pump or other auxiliary equipment of increasing pressure.</li> </ol>
LCD screen does not display	<ol style="list-style-type: none"> <li>1. The battery is exhausted</li> <li>2. The display is exposed to direct sunlight</li> </ol>	<ol style="list-style-type: none"> <li>1. Replace new 2*AAA alkaline batteries and installed correctly.</li> <li>2. Avoid direct sunlight, and observe if the battery is too low.</li> </ol>

**If you need help in using the timer, please feel free to contact us.**

**US Free Hotline(English):** +1 833-381-5659

(MON-FRI 9:30 AM-5:30 PM PST)

**UK Free Hotline(English Deutsch):** +44 800-808-5337

(MON-FRI 9:00 AM-5:00 PM CET )

**Email:** [service@rainpointus.com](mailto:service@rainpointus.com)

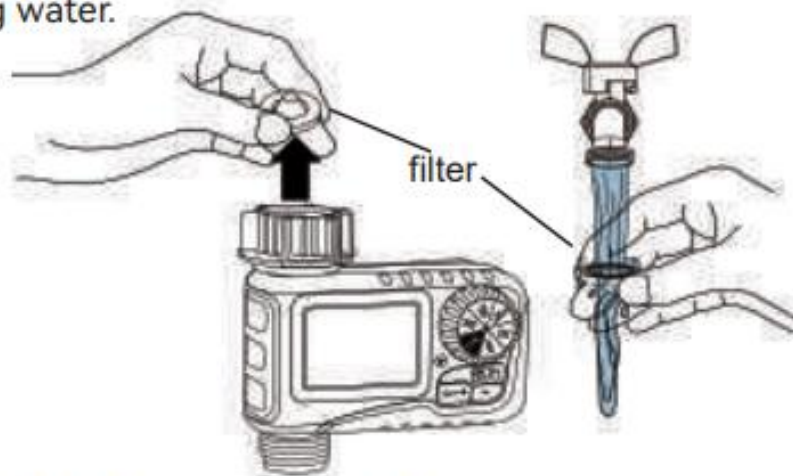
**WhatsApp:** +1 626-780-5952

## CLEANING YOUR TIMER

After a period of use, impurities or dirt in the water may accumulate in the timer. Therefore, the timer should be cleaned regularly to ensure its proper operation.

Please follow these steps to clean the timer.

1. Turn off the garden faucet and remove the timer. Check whether the filter at the timer water inlet has accumulated impurities.
2. If the filter is dirty, please take it out of the timer and rinse it with running water.



3. Turn on the Manual Watering Mode of the timer to open the valve and check whether the water pipe of the timer is blocked. If it is blocked, please clean it gently with a small cleaning brush.



## WARNINGS

- 1) For outdoor use only. Placing the timer in the sheltered outdoors will prolong its lifetime.
- 2) To avoid damage, please tighten it without using tools.
- 3) The filter should be placed horizontally in the water inlet to prevent leakage.
- 4) When low power, please replace the batteries to avoid the interruption of normal operation; when replacing the batteries, please make sure that the battery tray is dry.
- 5) When the timer is not in use, please remove the batteries and store it indoors.
- 6) Don't use the timer under the temperature more than 120°F(50°C), or less than 38°F(3°C).
- 7) Don't subject the product to extreme force and shock.
- 8) Severe electrical shock could result if water is sprayed into outlets or sources of electrical current. Never immerse the product in water.

This product is MADE IN CHINA and conforms to the national standards of the United States, Britain, Germany and France. Please use this product correctly. If it needs to be discarded, please properly dispose according to the national requirements. Please protect the environment.

