

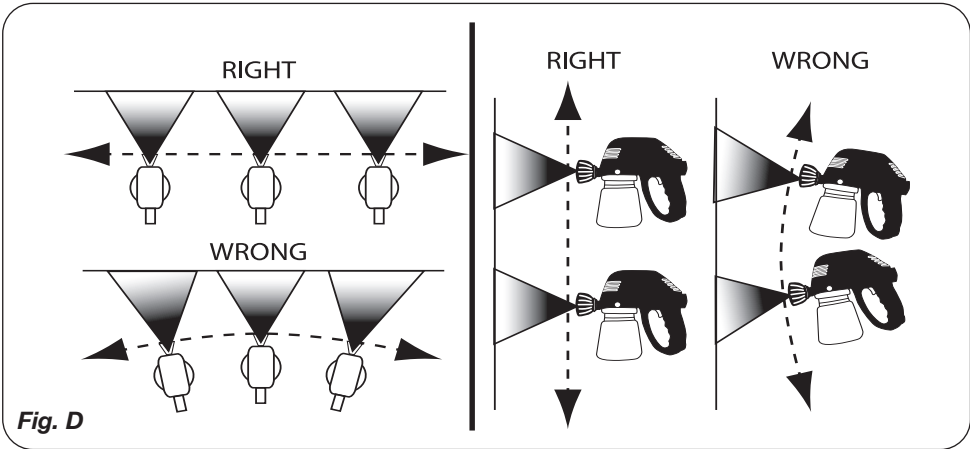
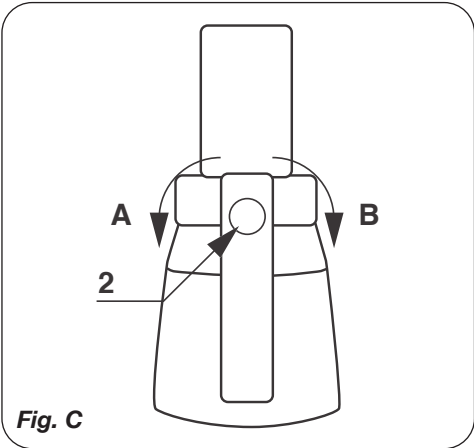
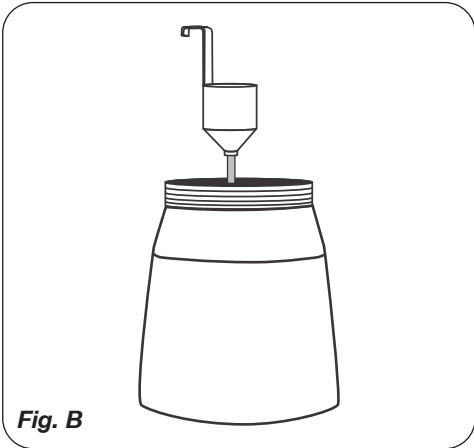
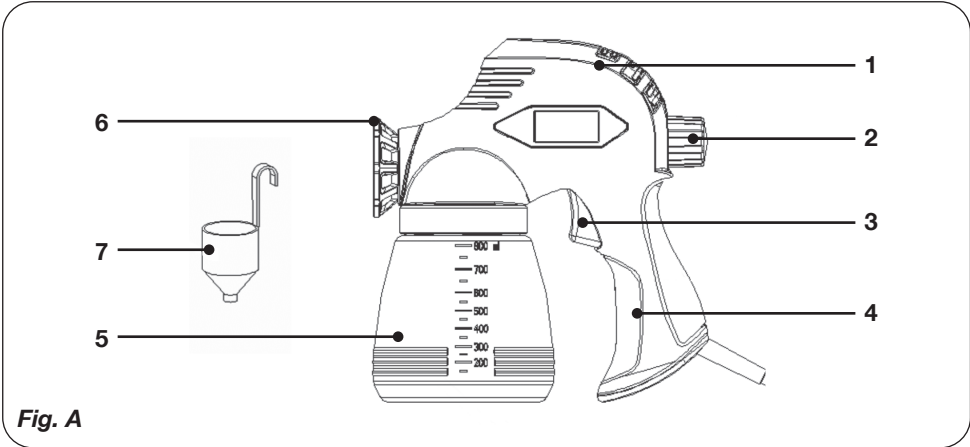
FERM®

POWER SINCE 1965



SGM1012

EN	Original instructions	04	CS	Překlad původního návodu k používání	64
DE	Übersetzung der Originalbetriebsanleitung	09	SL	Prevod izvirnih navodil	69
NL	Vertaling van de oorspronkelijke gebruiksaanwijzing	14	PL	Tłumaczenie instrukcji oryginalnej	74
FR	Traduction de la notice originale	19	LT	Originalios instrukcijos vertimas	79
ES	Traducción del manual original	24	LV	Instrukciju tulkojums no oriģinālvalodas	83
PT	Tradução do manual original	29	ET	Algupärase kasutusjuhendi tõlge	88
IT	Traduzione delle istruzioni originali	34	HR	Prevedeno s izvornih uputa	93
SV	Översättning av bruksanvisning i original	39	SR	Prevod originalnog uputstva	98
FI	Alkuperäisten ohjeiden käännös	44	BS	Prevod originalnog uputstva	98
NO	Oversatt fra original veiledning	49	RU	Перевод исходных инструкций	103
DA	Oversættelse af den originale brugsanvisning	54	EL	Μετάφραση του πρωτοτύπου των οδηγιών χρήσης	109
HU	Eredeti használati utasítás fordítása	59			



ELECTRICAL SPRAY GUN SGM1012

Thank you for buying this Ferm product. By doing so you now have an excellent product, delivered by one of Europe's leading suppliers. All products delivered to you by Ferm are manufactured according to the highest standards of performance and safety. As part of our philosophy we also provide an excellent customer service, backed by our comprehensive warranty. We hope you will enjoy using this product for many years to come.

The numbers in the following text refer to the pictures on page 2-3



Read the operating instructions carefully before using this device. Familiarise yourself with its functions and basic operation. Service the device as per the instructions to ensure that it always functions properly. The operating instructions and the accompanying documentation must be kept in the vicinity of the device.

Contents

1. Technical specifications
2. Safety instructions
3. Operating instructions
4. Maintenance

1. TECHNICAL SPECIFICATIONS

Voltage	220-240 V~
Frequency	50 Hz
Power input	110 W
Maximum nozzle flow rate	300 ml/min
Container capacity	800 ml
Nozzle diameter	0.8 mm
Weight	1.75 kg
L _{pa} (Sound pressure level)	91 dB(A)
L _{wa} (Sound power level)	102 dB(A)
Vibration	11.53 m/s ²

Check the machine, loose parts and accessories for transport damage.

Vibration level

The vibration emission level stated in this instruction manual has been measured in accordance with a standardised test given in EN 60745; it may be used to compare one tool with another and as a preliminary assessment of exposure to vibration when using the tool for the applications mentioned

- using the tool for different applications, or with different or poorly maintained accessories, may significantly increase the exposure level
- the times when the tool is switched off or when it is running but not actually doing the job, may significantly reduce the exposure level

Protect yourself against the effects of vibration by maintaining the tool and its accessories, keeping your hands warm, and organizing your work patterns

Product information

Fig. A

1. Motor housing
2. Output control
3. Trigger switch
4. Handle
5. Paint container
6. Spray basket nozzle
7. Viscosity cup

2. SAFETY INSTRUCTIONS

Explanation of symbols



Denotes risk of personal injury, loss of life or damage to the tool in case of non-observance of the instructions in this manual.



Denotes risk of electric shock.



Wear protective gloves.



Wear a dust mask. Working with wood, metals and other materials may produce dust that is harmful to health. Do not work with material containing asbestos!



Wear eye protection.

Additional safety instructions

- NEVER SPRAY AT PERSONS - Never aim the nozzle at another person or animal. Never allow the spray to come into direct contact with the skin.
- FLASH POINT - This spray gun must not be used for spraying flammable paints and solvents with a flash point of less than 32 °C
- VENTILATION - Always make sure that there is adequate ventilation in the work area when spraying.
- BASKET NOZZLE - Always keep the spray basket nozzle in place during use.
- CONSIDER WORK AREA ENVIRONMENT - Do not use spray guns where there is a risk of fire or explosion.
- BEWARE OF ANY HAZARD - Beware of any Hazard by the material being sprayed and consult the markings on the container or the information supplied by the manufacturer.
- DO NOT SPRAY - Do not spray any material where the hazard is not known.
- USE EYE PROTECTION - Always use appropriate eye protection to keep hazardous vapours or fumes out of the eyes.
- WEAR A MASK - Never operate a spray gun without wearing a face mask.
- PROTECT YOUR EARS - Wear ear protectors if the sound pressure exceeds 85 dB(A).
- MAINTAIN YOUR TOOLS - Keep your spray gun, paint container and nozzles clean. Do not clean with flammable liquids with a flash point less than 32 °C Inspect the mains lead periodically and if damaged have it replaced by a qualified person.
- NAKED FLAMES - Never spray near a naked flame or appliance pilot flame.
- SMOKING - Never smoke whilst spraying.
- THINNING - Always read the paint manufacturers thinning recommendations or instructions before using paint or other materials.
- DISCONNECT FROM THE MAINS SUPPLY - Always disconnect from the mains supply when filling the paint container or cleaning the spray gun.
- SWITCH OFF WHEN NOT SPRAYING - Avoid running the unit with the flow rate knob fully closed for any length of time.



We accept no responsibility for damage caused by the use of unsuitable substances, or paints that have not been thinned correctly, and any health hazards that arise from lack of adequate ventilation.

Immediately switch off the spray gun when:

- Interruption in the mains plug, mains lead or mains lead damage.
- Defect switch.
- Smoke or stench of scorched isolation

Electrical safety

When using electric tools, basic safety precautions should always be followed to reduce the risk of fire, electric shock and personal injury. Read all these instructions before attempting to operate this product and save these instructions.



Always check that the mains voltage corresponds to the voltage on the rating plate.



Class II machine. Your machine is double insulated; therefore no earthwire is required.

Replacing cables or plugs

Immediately throw away old cables or plugs when they have been replaced by new ones. It is dangerous to insert the plug of a loose cable in the wall outlet.

Using extension cables

Only use an approved extension cable suitable for the power input of the machine. The minimum conductor size is 1.5 mm². When using a cable reel always unwind the reel completely.

3. OPERATING INSTRUCTIONS

Preparation

Fig. B



Do not use textured wall paints or coatings as this will block the nozzle.

To obtain the best results, it is important that you prepare the surface to be sprayed and thin the paint to the correct viscosity, before you operate your spray gun. Always ensure that the surfaces to be sprayed are free from dust, dirt and grease.

Make sure that you have masked the areas that should not be sprayed, using a good quality masking tape. The paint or fluid to be sprayed should be thoroughly mixed and free from lumps or other particles. Many substances can be sprayed with your spray gun, but always check the manufacturers recommendations before purchasing your paint.

Thinning



Always remember to disconnect from the mains supply before filling the paint container with sprayable material.

Most paints are supplied ready for brush application and will need to be thinned before they are suitable to be sprayed. Follow the manufacturers advice on thinning the paint when used with a spray gun. The viscosity cup will help you to determine the correct viscosity of paint to be used. To determine the correct viscosity, fill the cup to the brim with the paint. Measure the amount of time it takes for the cup to empty back into the can.

The table below shows recommended times for different types of material.

Plastic & latex paint	24 - 28 seconds
Water based paint	20 - 25 seconds
Primers	24 - 28 seconds
Varnishes	20 - 25 seconds
Oil based paints	18 - 22 seconds
Enamel paints	18 - 22 seconds
Aluminium paints	22 - 25 seconds
Car undersealing	25 - 35 seconds
Wood sealers	28 - 35 seconds
Wood preservatives	No thinning required
Wood stains	No thinning required

If the paint takes longer than the recommended time to empty, then further thinning is required. Mix in a small quantity of the appropriate thinner and use the viscosity test until the correct thickness is achieved. Some sprayable materials contain particles and lumps. These materials should be strained before filling the paint container.

Spraying

Fig. C

Fill the paint container with the correctly thinned and strained paint. Connect the spray gun to the mains supply. Aim the spray gun at a piece of

scrap material and operate the trigger switch until paint is spraying. Adjust the output control (2) until the required volume of paint is spraying. Turn the output control in a clockwise direction (B) to reduce the flow and anti-clockwise (A) to increase the flow. Adjustment of the output control will affect the spray pattern. A poor spray pattern will concentrate the paint in the centre of the spray and give a blotchy finish. A good spray pattern will give even distribution of paint throughout the pattern.

Spraying techniques

Fig. D

To obtain the best results, keep your spray gun level and parallel to the surface at all times. Keep the nozzle 25 - 30 cm from the surface and spray evenly from side to side or up and down. Do not spray at an angle as this will lead to paint runs on the surface. Use smooth and even strokes. When spraying large areas, use a criss-cross pattern as shown.

Fig. E

Never start or stop the spray gun while it is aimed at the surface to be sprayed. Evenly control the speed of movement of the spray gun. A fast speed of movement over the surface will give a thin coat and a slow speed will give a heavy coat. Apply one coat at a time. If a further coat is required, make sure you observe the manufacturers drying time recommendations before applying a second coat. When spraying small areas, keep the output control on a low setting. This will avoid using too much paint and prevent overspray. Where possible, avoid stopping and starting when spraying an object. This can lead to too much, or not enough paint being applied. Do not tip the spray gun to more than 45°.

Fitting and using the flexible nozzle

Fig. F

The flexible nozzle extension should be used to spray flat or horizontal surfaces. It should also be used in areas with limited access. To fit the flexible nozzle, unscrew the basket nozzle and attach the flexible nozzle in its place. Replace the basket nozzle on the end of the flexible nozzle and tighten.

4. MAINTENANCE



Make sure that the machine is not live when carrying out maintenance work on the motor.

This machine has been designed to operate over a long period of time with a minimum of maintenance. Continuous satisfactory operation depends upon proper machine care and regular cleaning.

Troubleshooting

1. Motor hums but does not spray or irregular spraying

- Worn swirl head.
- *Replace swirl head.*
- Pick up pipe not in the right position.
- *Re-adjust pick up pipe.*
- Blocked pick up pipe.
- *Clean with thinner.*
- Blocked nozzle.
- *Clean nozzle.*
- Blocked filter.
- *Clean with thinner.*
- Control knob needs adjustment.
- *Adjust.*

2. Atomization is not good

- Volume adjustment is not correct.
- *Adjust.*
- Paint too thick.
- *Check viscosity of the paint.*

3. Over painting

- Spray gun not clean, or not lubricated, resulting in piston being stuck in cylinder.
- *Disassemble spray gun and clean with thinner.*
- Too much paint.
- *Adjust the volume clockwise to reduce spraying. Two thin coats are better than one thick coat.*
- Viscosity too low.
- *Check viscosity.*

4. Motor louder than normal

- Spray gun not clean, or not lubricated, resulting in piston being stuck in cylinder.
- *Disassemble spray gun and clean with thinner.*

5. No spray, no sound

- No electricity.
- *Check power supply.*

6. Operating sound not right

- Poor output adjustment.
- *Re-adjust.*
- Not enough paint in the container resulting in air being sucked in.
- *Refill with paint.*
- Not diluting properly or not passing pick up pipe completely.
- *Check pick up pipe and viscosity level.*

7. "Orange Skin" excessive fogging

- Incorrect solvent is used.
- *Use correct solvent.*
- Spray gun too far from the surface.
- *Hold spray gun closer to the object.*
- Paint too thick.
- *Thin the paint.*

Cleaning and maintenance

Fig. G



Always remember to disconnect from the mains supply before cleaning the spray gun or paint container.

It is essential that the spray gun is cleaned thoroughly after every use. Failure to clean it will almost certainly result in blockages and it may not operate when you next come to use it! The guarantee does not cover cleaning a sprayer that has not been properly cleaned by the user. The following action must be taken after every use:

- Empty any remaining material from the container.
- Clean the container thoroughly with the thinner that was used.
- Pour some thinner into the container and spray through the spray gun until only clean thinner is coming out of the nozzle.
- Thoroughly clean the paint pick up pipe and filter with thinner.
- Clean the basket and nozzle and remove any other debris or paint that remains.
- Turn the spray gun upside down and apply a few drops of light oil to the two apertures (F). This will lubricate the piston and cylinder.

If your spray gun should require extra internal cleaning, it may be necessary to disassemble it. If so the following action should be taken:

- Remove the plug from the mains socket.
- Remove paint container, pick up pipe and filter.
- Take off the pump assembly.
- Release the nozzle (H), valve (J), piston (K) and spring (L).
- Clean the cylinder (M) and all parts thoroughly with solvent.
- Apply a few drops of light lubricating oil to the piston, spring and cylinder.
- Reassemble the spray gun.

Lubrication

The device does not need any additional lubrication.

Defects

If a defect appears due to a part wearing out, please contact the service center on the warranty card. At the end of these instructions there is an exhaustive overview of the parts that can be ordered.

ENVIRONMENT

To prevent damage during transport, the appliance is delivered in a solid packaging which consists largely of reusable material. Therefore please make use of options for recycling the packaging.



Damaged and/or disposed of electrical or electronic devices must be dropped off at recycling stations intended for that purpose.

Only for EC countries

Do not dispose of power tools into domestic waste. According to the European Guideline 2012/19/EU for Waste Electrical and Electronic Equipment and its implementation into national right, power tools that are no longer usable must be collected separately and disposed of in an environmentally friendly way.

WARRANTY

Read the warranty conditions on the separately supplied warranty card.

The product and the user manual are subject to change. Specifications can be changed without further notice.

ELEKTRO-FARBSPRITZGERÄT SGM1012

Vielen Dank für den Kauf dieses Ferm Produkts. Hiermit haben Sie ein ausgezeichnetes Produkt erworben, dass von einem der führenden Lieferanten Europas geliefert wird. Alle von Ferm an Sie gelieferten Produkte sind nach den höchsten Standards von Leistung und Sicherheit gefertigt. Teil unserer Firmenphilosophie ist es auch, Ihnen einen ausgezeichneten Kundendienst anbieten zu können, der von unserer umfassenden Garantie unterstützt wird. Wir hoffen, dass Sie viele Jahre Freude an diesem Produkt haben.

Die Zahlen im nachstehenden Text entsprechen den Abbildungen auf Seite 2-3



Lesen Sie diese Bedienungsanleitung aufmerksam, bevor Sie die Maschine in Betrieb nehmen. Machen Sie sich mit der Funktionsweise und der Bedienung vertraut. Warten Sie die Maschine entsprechend der Anweisungen, damit sie immer einwandfrei funktioniert. Die Betriebsanleitung und die dazugehörige Dokumentation müssen in der Nähe der Maschine aufbewahrt werden.

Inhalt

1. Gerätedaten
2. Sicherheitshinweise
3. Bedienungsanleitung
4. Wartung

1. GERÄTEDATEN

Netzspannung	220-240 V~
Frequenz	50 Hz
Leistungsaufnahme	110 W
Maximale Fördermenge	300 ml/min
Behälterkapazität	800 ml
Düsendurchmesser	0,8 mm
Gewicht	1,75 kg
Lpa (Schalldruckpegel)	91 dB(A)
Lwa (Schalleistungspegel)	102 dB(A)
Vibrationswert	11,53 m/s ²

Prüfen Sie die Maschine, die losen Teile und Zubehörteile auf Transportschäden.

Vibrationsstufe

Die im dieser Bedienungsanleitung angegebene Vibrationsemissionsstufe wurde mit einem standardisierten Test gemäß EN 60745 gemessen; Sie kann verwendet werden, um ein Werkzeug mit einem anderen zu vergleichen und als vorläufige Beurteilung der Vibrationsexposition bei Verwendung des Werkzeugs für die angegebenen Anwendungszwecke

- die Verwendung des Werkzeugs für andere Anwendungen oder mit anderem oder schlecht gewartetem Zubehör kann die Expositionsstufe erheblich erhöhen
- Zeiten, zu denen das Werkzeug ausgeschaltet ist, oder wenn es läuft aber eigentlich nicht eingesetzt wird, können die Expositionsstufe erheblich verringern

Schützen Sie sich vor den Auswirkungen der Vibration durch Wartung des Werkzeugs und des Zubehörs, halten Sie Ihre Hände warm und organisieren Sie Ihren Arbeitsablauf

Produktinformation

Abb. A

1. Motorgehäuse
2. Regulierknopf
3. Schalter
4. Griff
5. Farbbehälter
6. Spritzdüse
7. Viskositäts-Messbecher

2. SICHERHEITSHINWEISE

Erläuterung der Symbole



Kennzeichnet Verletzungsrisiko mit Todesfolge oder Beschädigung des Werkzeugs, falls die Hinweise dieser Bedienungsanleitung nicht befolgt werden.



Kennzeichnet das Risiko eines Stromschlags.



Schutzhandschuhe tragen.



Tragen Sie eine Staubschutzmaske. Beim Bearbeiten von Holz, Metallen und anderer Materialien kann gesundheitsschädlicher Staub entstehen. Asbesthaltiges Material darf nicht bearbeitet werden!



Schutzbrille tragen.

Zusätzliche Sicherheitshinweise

- **NIEMALS AUF PERSONEN SPRÜHEN** - Zielen Sie nie auf eine andere Person oder ein Tier. Der Sprühstrahl darf nicht in direkten Kontakt mit der Haut kommen.
- **FLAMMPUNKT** - Diese Spritzpistole darf nicht für sprühfähige Farben und Lösungsmittel mit einem Flammpunkt von unter 32°C verwendet werden.
- **BELÜFTUNG** - Beim Sprühen muss im Arbeitsbereich für ausreichende Belüftung gesorgt werden.
- **SPRITZDÜSE** - Die Spritzdüse muss bei Gebrauch ständig aufgeschraubt sein.
- **BERÜCKSICHTIGEN SIE DIE UMGEBUNG DES ARBEITSBEREICHS** - Spritzpistolen dürfen nicht in Bereichen mit Brand- oder Explosionsgefahr benutzt werden.
- **HÜTEN SIE SICH VOR GEFAHREN** - Hüten Sie sich vor Gefahren durch das Spritzgut. Lesen Sie die Hinweise auf der Verpackung oder die vom Hersteller gelieferten Informationen.
- **NICHT SPRÜHEN** - Versprühen Sie kein Spritzgut, dessen Gefährlichkeit Sie nicht kennen.
- **AUGENSCHUTZ TRAGEN** - Benutzen Sie immer geeigneten Augenschutz, damit gefährliche Dämpfe nicht in die Augen gelangen können.
- **TRAGEN SIE EINE MASKE** - Eine Spritzpistole niemals ohne geeignete Gesichtsmaske benutzen.
- **SCHÜTZEN SIE IHRE OHREN** - Tragen Sie Gehörschutz, wenn der Schalldruckpegel 85 dB(A) übersteigt.
- **PFLEGEN SIE IHRE WERKZEUGE** - Halten Sie Ihre Spritzpistole, den Farbbehälter und die Spritzdüsen sauber. Die Reinigung darf nicht mit entzündlichen Flüssigkeiten mit einem Flammpunkt von unter 32°C erfolgen. Prüfen Sie das Netzkabel regelmäßig. Falls es schadhaft ist, lassen Sie es durch einen Fachmann ersetzen.
- **OFFENE FLAMMEN** - Sprühen Sie niemals in der Nähe einer offenen Flamme oder der Zündflamme eines Geräts.
- **RAUCHEN** - Beim Sprühen darf nicht geraucht werden.
- **VERDÜNNUNG** - Vor der Verwendung einer

Farbe oder eines anderen Spritzguts sollten Sie immer die Empfehlungen bzw. Hinweise des Herstellers bezüglich der Verdünnung lesen.

- **GERÄT AUSSTECKEN** - Zum Füllen des Farbbehälters oder zur Reinigung muss das Gerät von der Steckdose getrennt werden.
- **GERÄT AUSSCHALTEN, WENN NICHT GESPRÜHT WIRD** - Das Gerät sollte, auch über einen kürzeren Zeitraum, nie mit ganz geschlossenem Regulierknopf betrieben werden.



Wir übernehmen keine Verantwortung für Schäden durch die Verwendung ungeeigneter Substanzen, bzw. durch Farben, die nicht ordnungsgemäß verdünnt wurden, noch für Gesundheitsschäden, die durch unzureichende Belüftung verursacht werden.

Die Spritzpistole in folgenden Fällen sofort ausschalten:

- Unterbrechung im Netzstecker oder im Netzkabel bzw. Beschädigung des Netzkabels.
- Schalter defekt.
- Rauchentwicklung oder Geruch verbrannter Isolierung.

Elektrische Sicherheit

Achtung! Beim Gebrauch von Elektrowerkzeugen sind zum Schutz gegen elektrischen Schlag, Verletzungs- und Brandgefahr folgende grundsätzlichen Sicherheitsmaßnahmen zu beachten. Lesen und beachten Sie diese Hinweise, bevor Sie das Gerät benutzen.



Überprüfen Sie immer, ob Ihre Akkuspannung der des Typenschildes entspricht.



Gerät der Schutzklasse II – schutzisoliert – kein Schutzkontakt erforderlich.

Austauschen von Kabeln oder Steckern

Wenn die Anschlussleitung beschädigt wird, muss sie durch eine besondere Anschlussleitung ersetzt werden, die vom Hersteller oder seinem Kundendienst erhältlich ist. Entsorgen Sie alte Kabeln oder Stecker, unmittelbar nachdem Sie durch neue ersetzt sind. Das Anschließen eines Steckers eines losen Kabels an eine Steckdose ist gefährlich.

Verwendung von Verlängerungskabeln

Benutzen Sie nur ein genehmigtes Verlängerungskabel, das der Maschinenleistung entspricht. Die Ader müssen einen Mindestquerschnitt von 1,5 mm² haben. Befindet das Kabel sich auf einem Haspel muß es völlig abgerollt werden.

3. BEDIENUNGSHINWEISE

Vorbereitung

Abb. B



Verwenden Sie keine Strukturfarben für Wände oder Farbüberzüge, weil diese die Düse verstopfen.

Um optimale Ergebnisse zu erzielen, ist es vor der Verwendung der Spritzpistole wichtig, die zu behandelnde Oberfläche vorzubereiten und die Farbe bis zur richtigen Viskosität zu verdünnen. Die zu behandelnde Oberfläche muss staub-, schmutz- und fettfrei sein. Oberflächen, die nicht besprüht werden sollen, müssen mit einem Klebeband guter Qualität abgedeckt werden. Die zu versprühende Farbe bzw. Flüssigkeit muss gründlich gemischt und frei von Klumpen oder anderen Partikeln sein. Mit Ihrer Spritzpistole können zahlreiche Spritzgüter versprüht werden. Vor dem Einkauf einer Farbe sollten jedoch immer die Empfehlungen des Herstellers gelesen werden.

Verdünnung



Ziehen Sie jedesmal den Netzstecker, bevor der Farbbehälter mit dem Spritzgut gefüllt wird.

Die meisten Farben werden streichfertig geliefert und müssen verdünnt werden, bevor sie versprüht werden können. Die Hinweise des Herstellers bezüglich der Farbverdünnung zum Spritzen müssen befolgt werden. Der Viskositäts-Messbecher hilft bei der Bestimmung der richtigen Viskosität der verwendeten Farbe. Dazu wird der Messbecher bis zum Rand mit Farbe gefüllt. Messen Sie die Zeit zur Entleerung des Bechers in die Farbdose.

Untenstehende Tabelle zeigt die empfohlenen Zeiten für verschiedene Stoffe.

Kunstharz- und Latexfarben	24-28 Sekunden
Farben auf Wasserbasis	20-25 Sekunden
Grundierfarben	24-28 Sekunden
Klarlacke	20-25 Sekunden
Ölfarben	18-22 Sekunden
Emailfarben	18-22 Sekunden
Aluminiumfarben	22-25 Sekunden
KFZ-Unterbodenschutz	25-35 Sekunden
Holzgrundierungen	28-35 Sekunden
Holzkonservierungen	Keine Verdünnung erforderlich
Holzlasuren	Keine Verdünnung erforderlich

Dauert die Entleerung der Farbe länger als der empfohlene Zeitraum, so ist eine weitere Verdünnung erforderlich. Dazu eine geringe Menge des geeigneten Verdünnungsmittels beimischen und den Viskositätstest anwenden, bis die richtige Dünflüssigkeit erreicht ist. Einige spritzbare Stoffe enthalten Partikel und Klumpen. Derartige Stoffe sollten vor dem Befüllen des Farbbehälters gesiebt werden.

Sprühen

Abb. C

Füllen Sie den Farbbehälter mit der richtig verdünnten und gesiebten Farbe. Schließen Sie die Spritzpistole an die Netzspannung an. Zielen Sie mit der Spritzpistole auf ein Stück Abfallmaterial und betätigen Sie den Schalter, bis Farbe austritt. Stellen Sie den Regulierknopf so ein, dass die benötigte Farbmenge abgegeben wird. Drehen Sie den Knopf im Uhrzeigersinn, um die Fördermenge zu verringern, und gegen den Uhrzeigersinn, um sie zu erhöhen. Die Einstellung der Fördermenge wirkt sich auf das Spritzbild aus. Bei einem mangelhaften Spritzbild wird die Farbe in der Strahlmitte konzentriert, was zu ungleicher Farbverteilung auf der Oberfläche führt. Der Sprühstrahl ist richtig eingestellt, wenn die Farbe über den gesamten Strahl gleichmäßig verteilt wird.

Spritztechniken

Abb. D

Um optimale Ergebnisse zu erzielen, muss die Spritzpistole immer aufrecht und parallel zur Oberfläche gehalten werden. Halten Sie einen Abstand zwischen Spritzdüse und Oberfläche von 25 - 30 cm ein und sprühen Sie dabei gleichmäßig hin und her bzw. auf und ab. Sprühen Sie nicht in einem anderen Winkel zur Oberfläche, weil die Farbe sonst an dieser herunterläuft. Eine sanfte und gleichmäßige Bewegung ist wichtig.

Beim Besprühen großer Oberflächen sollte im Kreuzgang gespritzt werden (siehe Abbildung).

Abb. E

Die Spritzpistole niemals ein- oder ausschalten, während sie auf die zu besprühende Oberfläche gerichtet ist. Die Bewegung der Spritzpistole muss mit gleichmäßiger Geschwindigkeit erfolgen. Eine schnelle Bewegung ergibt eine dünne Farbschicht, eine langsame Bewegung eine dicke Schicht. Es darf pro Durchgang jeweils nur eine Schicht aufgebracht werden. Falls eine weitere Schicht erforderlich ist, müssen die Empfehlungen des Farbenherstellers für Trocknungszeiten eingehalten werden. Beim Besprühen kleiner Flächen sollte der Regulierknopf niedrig eingestellt werden. Dadurch wird zu hoher Farbverbrauch und zu dickes Auftragen vermieden. Vermeiden Sie beim Besprühen eines Objekts soweit wie möglich ein Ein- und Ausschalten, weil so zu viel oder zu wenig Farbe aufgebracht werden könnte. Neigen Sie die Spritzpistole um nicht mehr als 45°.

Montage und Gebrauch der Flexiblen Düsenverlängerung

Abb. F

Die flexible Düsenverlängerung sollte zum Besprühen ebener bzw. horizontaler Flächen benutzt werden, wie auch im Fall begrenzter Zugänglichkeit. Zur Anbringung der flexiblen Düsenverlängerung die Spritzdüse abschrauben und stattdessen die Verlängerung aufschrauben. Die Spritzdüse nun am Ende der flexiblen Düsenverlängerung aufschrauben und festziehen.

4. WARTUNG



Bei Wartungsarbeiten am Motor muss sichergestellt werden, dass vorher der Netzstecker gezogen wurde.

Diese Maschinen sind entworfen, um während einer langen Zeit problemlos und mit minimaler Wartung zu funktionieren. Sie verlängern die Lebensdauer, indem Sie die Maschine regelmäßig reinigen und fachgerecht behandeln.

Fehlerbehebung

1. Motor läuft, jedoch kein bzw. unregelmäßiges Sprühen

- Verschlissener Schwinganker.
- *Schwinganker ersetzen.*
- Ansaugrohr sitzt falsch.
- *Ansaugrohr richtig ausrichten.*
- Ansaugrohr verstopft.
- *Mit Verdünner reinigen.*
- Düse verstopft.
- *Düse reinigen.*
- Filter verstopft.
- *Mit Verdünner reinigen.*
- Regulierknopf muss richtig eingestellt werden.
- *Einstellen.*

2. Schlechte Zerstäubung

- Fördermenge falsch eingestellt.
- *Einstellen.*
- Farbe zu dick.
- *Viskosität prüfen.*

3. Farbauftrag zu dick

- Spritzpistole verschmutzt oder nicht geschmiert, wodurch der Kolben im Zylinder festsitzt.
- *Spritzpistole zerlegen und mit Verdünner reinigen.*
- Zu viel Farbe.
- *Regulierknopf im Uhrzeigersinn drehen, um die Fördermenge zu verringern. Zwei dünne Schichten sind besser als eine dicke Schicht.*
- Viskosität zu niedrig.
- *Viskosität prüfen.*

4. Motor lauter als normal

- Spritzpistole verschmutzt oder nicht geschmiert, wodurch der Kolben im Zylinder festsitzt.
- *Spritzpistole zerlegen und mit Verdünner reinigen.*

5. Kein Sprühen, kein Laufgeräusch

- Kein elektrischer Strom.
- *Stromversorgung prüfen.*

6. Betriebsgeräusch abnormal

- Mangelhafte Einstellung der Fördermenge.
- *Neu einstellen.*
- Nicht genügend Farbe im Behälter, wodurch Luft angesaugt wird.
- *Farbe nachfüllen.*

- Falsche Verdünnung oder falscher Sitz des Ansaugrohrs.
- *Ansaugrohr und Viskosität prüfen.*

7. „Orangenhaut“, übermäßige Vernebelung

- Verwendung eines ungeeigneten Lösungsmittels.
- *Richtiges Lösungsmittel verwenden.*
- Spritzpistole zu weit von der Oberfläche entfernt.
- *Spritzpistole näher an die Oberfläche halten.*

Reinigung und Wartung

Abb. G



Vor Reinigung der Spritzpistole oder des Farbbehälters unbedingt den Netzstecker ziehen.

Nach jedem Gebrauch muss die Spritzpistole unbedingt gründlich gereinigt werden. Falls dies unterlassen wird, führt dies fast unweigerlich zu Verstopfungen und beim nächsten Einsatz funktioniert die Spritzpistole höchstwahrscheinlich nicht. Die Garantie umfasst nicht die Reinigung eines Sprühgeräts, das vom Benutzer nicht gründlich gereinigt wurde. Nach jedem Gebrauch müssen die folgenden Maßnahmen getroffen werden:

- Im Farbbehälter verbleibende Farbe ausleeren.
- Den Behälter gründlich mit dem verwendeten Verdüner reinigen.
- Etwas Verdüner in den Behälter gießen und mit der Spritzpistole versprühen, bis nur noch reiner Verdüner aus der Spritzdüse austritt.
- Das Ansaugrohr und den Filter mit Verdüner reinigen.
- Korb und Düse reinigen und verbleibenden Schmutz bzw. Farbe entfernen.
- Die Spritzpistole auf den Kopf stellen und einige Tropfen Nähmaschinenöl in die zwei Öffnungen (F) geben.

Falls Ihre Spritzpistole eine zusätzliche Innenreinigung benötigt, kann es erforderlich werden, sie zu zerlegen. Dies geschieht wie folgt:

- Den Netzstecker ziehen.
- Farbbehälter, Ansaugrohr und Filter entfernen.
- Die Pumpeneinheit herausnehmen.
- Düse (H), Ventil (J), Kolben (K) und Feder (J) abnehmen.
- Den Zylinder (M) und alle ausgebauten Teile gründlich mit Lösungsmittel reinigen.

- Einige Tropfen Nähmaschinenöl auf Kolben, Feder und Zylinder geben.
- Die Spritzpistole wieder zusammenbauen.

Schmieren

Die Maschine braucht keine zusätzliche Schmierung.

Störungen

Sollte beispielsweise nach Abnutzung eines Teils ein Fehler auftreten, dann setzen Sie sich bitte mit der auf der Garantiekarte angegebenen Serviceadresse in Verbindung.

Im hinteren Teil dieser Anleitung befindet sich eine ausführliche Übersicht über die Teile, die bestellt werden können.

UMWELT

Um Transportschäden zu verhindern, wird die Maschine in einer soliden Verpackung geliefert. Die Verpackung besteht weitgehend aus verwertbarem Material. Benutzen Sie also die Möglichkeit zum Recyceln der Verpackung.



Schadhafte und/oder entsorgteelektrische oder elektronische Geräte müssen an den dafür vorgesehenen Recycling-Stellen abgegeben werden.

Nur für EG-Länder

Entsorgen Sie Elektrowerkzeuge nicht über den Hausmüll. Entsprechend der Europäischen Richtlinie 2012/19/EU für Elektro- und Elektronikschrott sowie der Einführung in das nationale Recht müssen Elektrowerkzeuge, die nicht mehr im Gebrauch sind, getrennt gesammelt und umweltfreundlich entsorgt werden.

GARANTIE

Lesen Sie die Garantiebedingungen auf der separat beigefügten Garantiekarte.

Das Produkt und das Benutzerhandbuch können geändert werden. Die technischen Daten können ohne Vorankündigung geändert werden.

ELEKTRISCHE VERFSPUIT SGM1012

Hartelijk dank voor de aanschaf van dit Ferm product. Hiermee heeft u een uitstekend product aangeschaft van één van de toonaangevende Europese distributeurs. Alle Ferm producten worden gefabriceerd volgens de hoogste prestatie- en veiligheidsnormen. Deel van onze filosofie is de uitstekende klantenservice die wordt ondersteund door onze uitgebreide garantie. Wij hopen dat u vele jaren naar tevredenheid gebruik zult maken van dit product.

De nummers in de nu volgende tekst verwijzen naar de afbeeldingen op pagina 2-3



Lees deze gebruiksaanwijzing zorgvuldig door, voor u de machine in gebruik neemt. Maak u vertrouwd met de werking en de bediening. Onderhoud de machine volgens de aanwijzingen, zodat zij altijd naar behoren blijft functioneren. Deze gebruiksaanwijzing en de bijbehorende documentatie dienen in de buurt van de machine bewaard te worden.

Inhoudsopgave

1. Machinegegevens
2. Veiligheidsinstructies
3. Bedrijfsinstructies
4. Onderhoud

1. MACHINEGEGEVENS

Spanning	220-240 V~
Frequentie	50 Hz
Opgenomen vermogen	110 W
Maximale materiaaldoorvoer	300 ml/min
Inhoud materiaalbeker	800 ml
Diameter sproeikop	0,8 mm
Gewicht	1,75 kg
Lpa (Geluidsdruk)	91 dB(A)
Lwa (Geluidsniveau)	102 dB(A)
Vibratiewaarde	11,53 m/s ²

Controleer de machine, de losse onderdelen en de accessoires op transportschade.

Trillingsniveau

Het trillingsemissieniveau, dat in deze gebruiksaanwijzing wordt vermeld, is gemeten in overeen-

stemming met een gestandaardiseerde test volgens EN 60745; deze mag worden gebruikt om twee machines met elkaar te vergelijken en als voorlopige beoordeling van de blootstelling aan trilling bij gebruik van de machine voor de vermelde toepassingen

- gebruik van de machine voor andere toepassingen, of met andere of slecht onderhouden accessoires, kan het blootstellingsniveau aanzienlijk verhogen
- wanneer de machine is uitgeschakeld of wanneer deze loopt maar geen werk verricht, kan dit het blootstellingsniveau aanzienlijk reduceren

Bescherm uzelf tegen de gevolgen van trilling door de machine en de accessoires te onderhouden, uw handen warm te houden en uw werkwijze te organiseren

Product informatie

Fig. A

1. Behuizing van de motor
2. Doseerknop
3. Schakelaar
4. Handvat
5. Materiaalbeker
6. Sproeikop
7. Viscositeitsbeker

2. VEILIGHEIDSINSTRUCTIES

Uitleg van de symbolen



Duidt op mogelijk lichamelijk letsel, levensgevaar of kans op beschadiging van de machine indien de instructies in deze gebruiksaanwijzing worden genegeerd.



Gevaar voor elektrische schok.



Draag beschermende handschoenen.



Draag bij gebruik van deze machine een stofmasker. Bij het werken met hout, metaal en andere materialen kunnen stoffen vrijkomen die schadelijk zijn voor de gezondheid. Werk niet met asbesthoudend materiaal!



Draag een veiligheidsbril.

Aanvullende veiligheidsinstructies

- SPUIT NOOIT NAAR PERSONEN – richt de sproeier nooit naar een persoon of een dier. Zorg ervoor, dat het sproeimiddel nooit direct contact maakt met de huid.
- VLAMPUNT – de verfspuit mag niet worden gebruikt voor het versproeien van ontvlambare verfsorten en oplosmiddelen met een vlampunt van minder dan 32 °C.
- VENTILATIE – zorg te allen tijde voor voldoende ventilatie tijdens het spuiten in het bedrijfsbereik.
- SPROEIER – Houd de sproeier tijdens gebruik altijd op zijn plaats.
- CONTROLEER DE BEDRIJFSOMGEVING – nooit verfspuiten gebruiken als er sprake is van gevaar voor brand of explosie.
- WEES U BEWUST VAN EVENTUEEL GEVAAR – wees u bewust van eventueel gevaar als gevolg van het materiaal, dat wordt gespoten en raadpleeg de aanwijzingen op de verpakking ervan of de door de fabrikant beschikbaar gestelde informatie.
- NIET SPUITEN – niet spuiten in bereiken, waarvan de gevaren niet bekend zijn.
- MAAK GEBRUIK VAN OOGBESCHERMING – zorg te allen tijde voor goede oogbescherming om gevaarlijke dampen of gassen buiten het bereik van de ogen te houden.
- DRAAG EEN MASKER – werk nooit met een verfspuit zonder een gezichtsmasker te dragen.
- BESCHERM UW OREN – draag oorbeschermers als de geluidsdruk 85 dB(A) overschrijdt.
- ZORG VOOR HET ONDERHOUD VAN HET GEREEDSCHAP – houd de verfspuit, het verfvat en de sproeiers goed schoon. Maak niet schoon met ontvlambare vloeistoffen met een vlampunt van minder dan 32 °C. Controleer de spanningstoevoer regelmatig en laat deze in geval van schade door een gekwalificeerde vakman repareren.
- OPEN VLAMMEN – spuit nooit in de buurt van open vuur of vlammen of een eventuele waakvlam.
- ROKEN – rook niet tijdens het spuiten
- VERDUNNEN – lees de informatie of aanbevelingen van de fabrikant omtrent verdunning aandachtig alvorens de verf of andere materialen te gebruiken.
- LOSKOPPELING VAN DE SPANNINGSTOEVOER – maak de verfspuit altijd los van de spannings-toevoer alvorens de

verfbus te vullen of de verfspuit te reinigen.

- SCHAKEL UIT ALS ER NIET WORDT GESPOTEN – zorg ervoor, dat de unit buiten bedrijf is, als de knop voor de doorstroming volledig gesloten is.



Wij aanvaarden geen verantwoordelijkheid voor schade, die wordt veroorzaakt door ongeschikte stoffen of verfmateriaal, dat niet op de juiste wijze is verdund en eventuele gevaren voor de gezondheid, die kunnen ontstaan door gebrek aan voldoende ventilatie.

Schakel de verfspuit onmiddellijk uit bij:

- Defecte netstekker, netsnoer of snoerbeschadiging.
- Een defecte schakelaar.
- Rook of de geur van schroeiende isolatie.

Elektrische veiligheid

Bij gebruik van elektrische gereedschappen moeten steeds de volgende veiligheidsmaatregelen in acht worden genomen tegen schok-, verwondings- en/of brandgevaar. Lees en let goed op deze adviezen voordat u een machine gebruikt.



Controleer altijd of uw netspanning overeenkomt met de waarde op het typeplaatje.



Klasse II apparaat - Dubbel geïsoleerd - een geaarde stekker is niet noodzakelijk.

Bij vervanging van snoeren of stekkers

Wanneer het netsnoer beschadigd raakt, dan dient het vervangen te worden door een speciaal netsnoer dat verkrijgbaar is bij de fabrikant of de customer service van de fabrikant. Gooi oude snoeren of stekkers direct weg zodra ze door nieuwe exemplaren zijn vervangen. Het is gevaarlijk om de stekker van een los snoer in een stopcontact te steken.

Bij gebruik van verlengsnoeren

Gebruik uitsluitend een goedgekeurd verlengsnoer, dat geschikt is voor het vermogen van de machine. De aders moeten een doorsnede hebben van minimaal 1,5 mm². Wanneer het verlengsnoer op een haspel zit, rol het snoer dan helemaal af.

3. BEDRIJFSINSTRUCTIES

Vorbereiding

Fig. B



Maak geen gebruik van structuurverf- of iets dergelijks, omdat daardoor de sproeier verstopt kan raken.

Om de beste resultaten te bereiken, is het belangrijk het te spuiten oppervlak voor te bereiden en de verf tot de juiste viscositeit te verdunnen, alvorens de verfspuit te gebruiken. Zorg er altijd voor, dat de oppervlakken, die moeten worden gespoten, vrij van stof, vuil en vet zijn. Zorg ervoor, dat de oppervlakken, die niet moeten worden gespoten, afgedekt zijn met een goede kwaliteit afplakband (masking tape). De verf of vloeistof, die moet worden gespoten, moet goed gemengd zijn en vrij van klonten of andere deeltjes. Er kunnen veel stoffen met de verfspuit worden gespoten, maar de aanbevelingen van de fabrikant moeten altijd worden gecontroleerd, alvorens de verf aan te schaffen.

Verdunning



Denk er altijd aan dat vóór het vullen van het verfvat met spuitbaar materiaal altijd eerst de netvoeding moet worden losgekoppeld.

De meeste geleverde verven zijn geschikt voor aanbrengen met de kwast en moeten worden verdund voor ze geschikt zijn om te spuiten. Volg de aanwijzingen van de fabrikant op voor het verdunnen van de verf voor spuitdoeleinden. De viscositeitsbeker helpt om de juiste viscositeit van de te gebruiken verf te bepalen. Vul de beker tot aan de rand met verf. Meet de tijd, die nodig is om de beker te legen in het verfvat. De onderstaande tabel laat de tijden zien voor verschillende soorten materiaal.

Plastic- en latexverf	24-28 seconden
Verf op waterbasis	20-25 seconden
Grondverfsoorten	24-26 seconden
Vernissoorten	20-25 seconden
Verfsoorten op oliebasis	18-22 seconden
Brandverf	18-22 seconden
Aluminiumverf	22-25 seconden
Dekking onderkant auto	25-35 seconden
Afdichtingsmiddelen hout	28-35 seconden
Conserveringsmiddelen hout	Geen verdunning nodig
Houtbeits	Geen verdunning nodig

Als de verf langer nodig heeft dan aanbevolen om in het verfvat te lopen, is verdere verdunning nodig. Meng een kleine hoeveelheid van de geschikte verdunner en maak gebruik van de viscositeitstest om te controleren of de juiste dikte is bereikt. Sommige spuitbare materialen bevatten deeltjes of klonten. Deze materialen moeten worden gezeefd alvorens het verfvat hiermee te vullen.

Spuiten

Fig. C

Vul het verfvat met de juiste hoeveelheid verdunde en gezeefde verf.

Sluit de verfspuit aan op de netvoeding. Richt de verfspuit op een stukje afvalmateriaal en bedien de trekker tot de verf begint te spuiten. Stel de afvoerregeling (2) in, tot het gewenste volume de spuit verlaat. Draai de afvoerregeling in klokrichting (B) om de doorstroom te verminderen en tegen de klokrichting in (A) om de doorstroom te laten toenemen. Het instellen van de afvoerregeling heeft invloed op het spuitpatroon. Een slecht patroon zorgt voor concentratie van de verf in het midden en zorgt voor een vlekkerige verdeling. Een goed spuitpatroon geeft een gelijkmatige verdeling van de verf over het hele patroon.

Spuittechnieken

Fig. D

Om de beste resultaten te bereiken, moet de verfspuit altijd horizontaal worden gehouden en evenwijdig aan het oppervlak. Houd de sproeier 25 - 30 cm van het oppervlak en sproei gelijkmatig van kant naar kant of naar boven en beneden. Spuit niet onder een hoek, omdat dit verzakkers op het oppervlak tot gevolg heeft. Maak gebruik van soepele en gelijkmatige slagen. Bij het spuiten van grote oppervlakken, moet een verdeelpatroon als hieronder aangegeven worden aangehouden.

Fig. E

Start of stop de verfspuit nooit als deze op het te spuiten doel gericht is. Zorg voor een gelijkmatige beweging van de verfspuit. Een snelle beweging van de spuit langs het oppervlak geeft een dunne laag en een langzame beweging geeft een dikke laag. Breng slechts één laag tegelijkertijd aan. Als er nog een laag nodig is, moet de door de fabrikant aanbevolen droogtijd worden aangehouden alvorens de tweede laag wordt aangebracht. Bij het spuiten van kleine oppervlakken, moet

de afvoeregeling op een kleine stand worden gehouden. Dit voorkomt het aanbrengen van een te grote hoeveelheid en gebruik van teveel verf. Indien mogelijk moet stoppen en herstarten tijdens het spuiten van een object worden voorkomen. Dit kan namelijk tot gevolg hebben, dat er te veel of te weinig verf wordt aangebracht. Werk niet onder een hoek van meer dan 45°.

Het aansluiten en het gebruik van de flexibele sproeier

Fig. F

De aanvulling met een flexibele sproeier moet worden gebruikt voor het spuiten van vlakke en horizontale oppervlakken. Hij kan ook worden gebruikt op plaatsen waar men slechts beperkte toegang toe heeft. Om de flexibele sproeier aan te sluiten, moet de hoofdsproeier worden verwijderd en de flexibele sproeier in plaats daarvan worden opgeschroefd. Breng na gebruik van deze laatste de hoofdsproeier weer aan.

4. ONDERHOUD



Zorg er altijd eerst voor dat de stekker uit het stopcontact is verwijderd, voordat u met de onderhoudswerkzaamheden begint.

Deze machines zijn ontworpen om gedurende lange tijd probleemloos en met minimaal onderhoud te blijven functioneren. U kunt de levensduur verlengen door de machine regelmatig schoon te maken en haar deskundig te behandelen.

Storingen

1. De motor zoemt maar spuit niet of onregelmatig

- Versleten wervelkop.
 - *Vervang de wervelkop.*
- De opnamepijp niet in de goede stand.
 - *Plaats deze op de juiste plek.*
- Verstopte opnamepijp.
 - *Schoonmaken met verdunner.*
- Verstopte sproeier.
 - *Sproeier schoonmaken.*
- Verstopt filter.
 - *Schoonmaken met verdunner.*
- De regelknop moet worden ingesteld.
 - *Instellen.*

2. De verstuing is niet goed

- De volume-instelling is niet correct.
 - *Instellen.*
- Verf te dik.
 - *Controleer de viscositeit van de verf.*

3. Te veel verf

- De verfspuit is niet schoon of niet gesmeerd, waardoor de zuiger in de cilinder blijft steken.
 - *Demonteer de verfspuit en maak schoon met verdunner.*
- Te veel verf.
 - *Stel het volume in klokrichting in om de spuithoeveelheid te verminderen.*
- Viscositeit te laag.
 - *Controleer de viscositeit.*

4. Motor luider dan normaal

- Verfspuit niet schoon of niet gesmeerd, waardoor de zuiger in de cilinder blijft steken.
 - *Demonteer de verfspuit en maak schoon met verdunner.*

5. Geen spuitactiviteit, geen geluid

- Geen elektriciteit.
 - *Controleer de netvoeding.*

6. Bedrijfsgeluid niet goed

- Slechte afvoerinstelling.
 - *Opnieuw instellen.*
- Niet voldoende verf in het vat, waardoor lucht naar binnen wordt gezogen.
 - *Navullen met verf.*
- Geen goede verdunning of geen volledig transport door de opnamebuis.
 - *Controleer de opnamebuis en het viscositeitsniveau.*

7. "Sinaasappeleffekt" overmatige nevelvorming

- Er wordt een verkeerd oplosmiddel gebruikt.
 - *Gebruik het juiste oplosmiddel.*
- Verfspuit te ver van het te behandelen oppervlak.
 - *Houd de verfspuit dichterbij het te behandelen oppervlak.*
- De verf is te dik.
 - *Verdun de verf.*

Reiniging en onderhoud

Fig. G



Denk er altijd aan de verfspuit of het verfat vóór het schoonmaken los te maken van de netvoeding.

Het is van essentieel belang, dat de verfspuit na ieder gebruik goed wordt schoongemaakt. Het nalaten hiervan leidt vrijwel zeker tot blokkeringen en hij kan zelfs helemaal niet meer werken, als u de spuit opnieuw wilt gebruiken. De garantie omvat niet het reinigen van een verfspuit, die door de gebruiker niet goed is schoongemaakt. Na ieder gebruik moet het volgende worden gedaan:

- Maak het vat helemaal leeg.
- Reinig het vat zorgvuldig met de verdunner, die is toegepast.
- Giet wat verdunner in het vat en sproei dit door de spuit tot er alleen schone verdunner uitkomt.
- Reinig de opnamebuis en het filter zorgvuldig.
- Reinig de hoofdsproeier en verwijder eventuele achtergebleven afvaldeeltjes of verf.
- Zet het spuitpistool ondersteboven en breng een paar druppels lichte olie aan in de openingen op de bodem.

Als uw verfspuit nog een aanvullende interne schoonmaakbeurt nodig heeft, kan het nodig zijn deze te demonteren. Indien dit het geval is, gaat men als volgt te werk:

- Verwijder de stekker uit het stopcontact.
- Verwijder het vat, de opnamebuis en het filter.
- Verwijder de pomp-set
- Maak de sproeier (H), de afsluiter (J), de zuiger (K) en de veer (L) los.
- Maak de cilinder (M) en alle onderdelen zorgvuldig schoon met oplosmiddel.
- Breng een paar druppels lichte smeeroil op de zuiger, de veer en de cilinder aan.
- Zet de verfspuit weer in elkaar.

Smeren

De machine heeft geen extra smering nodig.

Defecten

Mocht er een defect optreden, bijvoorbeeld door slijtage van een onderdeel, neem dan a.u.b. contact op met het op de garantiekaart vermelde serviceadres. Achter in deze handleiding bevindt zich een uitvoerig overzicht van onderdelen die nabesteld kunnen worden.

MILIEU

Om transportbeschadiging te voorkomen, wordt de machine in een stevige verpakking geleverd. De verpakking is zo veel mogelijk gemaakt van recyclebaar materiaal. Maak daarom gebruik van de mogelijkheid om de verpakking te recyclen.



Defecte en/of afgedankte elektrische of elektronische gereedschappen dienen ter verwerking te worden aangeboden aan een daarvoor verantwoordelijke instantie.

Uitsluitend voor EG-landen

Werp elektrisch gereedschap niet weg bij het huisvuil. Volgens de Europese Richtlijn 2012/19/EU voor Afgedankte Elektrische en Elektronische Apparatuur en de implementatie ervan in nationaal recht moet niet langer te gebruiken elektrisch gereedschap gescheiden worden verzameld en op een milieuvriendelijke wijze worden verwerkt.

GARANTIE

Lees voor de garantievooraarden de apart bijgevoegde garantiekaart.

Het product en de gebruikershandleiding zijn onderhevig aan wijzigingen. Specificaties kunnen zonder opgaaf van redenen worden gewijzigd.

PISTOLET À PEINTURE ÉLECTRIQUE SGM1012

Merci pour votre achat de ce produit Ferm. Vous disposez maintenant d'un excellent produit, proposé par l'un des principaux fabricants européens. Tous les produits que vous fournissez Ferm sont fabriqués selon les normes les plus exigeantes en matière de performances et de sécurité. Complété par notre garantie très complète, l'excellence de notre service clientèle forme également partie intégrante de notre philosophie. Nous espérons que vous profiterez longtemps de ce produit.

Les numéros dans le texte suivant réfèrent aux illustrations des pages 2-3



Lisez attentivement ce mode d'emploi avant la mise en service de l'appareil. Familiarisez-vous avec le fonctionnement et la manipulation de l'appareil. Entretenez l'appareil conformément aux instructions, afin qu'il fonctionne parfaitement à chaque utilisation. Ce mode d'emploi et toute documentation relative à l'appareil doivent être conservés près de celui-ci.

Contenu

1. Données de l'appareil
2. Consignes de sécurité
3. Operation
4. Entretien

1. DONNÉES DE L'APPAREIL

Voltage	220-240 V~
Fréquence	50 Hz
Puissance absorbée	110 W
Débit maximum de la buse	300 ml/min
Contenance du récipient	800 ml
Diamètre de la buse	0,8 mm
Poids	1,75 kg
Lpa (capacité de pression du son)	91 dB(A)
Lwa (niveau de pression du son)	102 dB(A)
Valeur vibratoire	11,53 m/s ²

Vérifier la machine, les pièces et accessoires mobiles pour détecter les dommages éventuels.

Niveau de vibrations

Le niveau de vibrations émises indiqué en ce

manuel d'instruction a été mesuré conformément à l'essai normalisé de la norme EN 60745; il peut être utilisé pour comparer plusieurs outils et pour réaliser une évaluation préliminaire de l'exposition aux vibrations lors de l'utilisation de l'outil pour les applications mentionnées

- l'utilisation de l'outil dans d'autres applications, ou avec des accessoires différents ou mal entretenus, peut considérablement augmenter le niveau d'exposition
- la mise hors tension de l'outil et sa non-utilisation pendant qu'il est allumé peuvent considérablement réduire le niveau d'exposition

Protégez-vous contre les effets des vibrations par un entretien correct de l'outil et de ses accessoires, en gardant vos mains chaudes et en structurant vos schémas de travail

Information sur le produit

Fig. A

1. Boîtier du moteur
2. Commande de débit
3. Interrupteur à gâchette
4. Poignée
5. Récipient à peinture
6. Buse de panier de pulvérisation
7. Coupe

2. CONSIGNES DE SÉCURITÉ

Explication des symboles



Indique un risque de blessures, un danger mortel ou un risque d'endommagement de l'outil en cas de non-respect des consignes de ce mode d'emploi.



Indique un risque de décharges électriques.



Portez des gants de protection.



Portez un masque anti-poussière. Le travail du bois, des métaux et d'autres matériaux peut produire de la poussière qui peut s'avérer dangereuse pour la santé. Ne travaillez pas avec du matériel contenant de l'amiante!



Portez des accessoires de protection pour les yeux.

Consignes de sécurité supplémentaires

- **NE JAMAIS VISER DES PERSONNES** - Ne jamais viser une personne ou un animal avec la buse. Ne jamais laisser le jet de pulvérisation entrer en contact direct avec la peau.
- **POINT ECLAIR** - ce pistolet de pulvérisation ne doit pas être utilisé pour des peintures et solvants inflammables de pulvérisation dont le point éclair est inférieur à 32°C.
- **VENTILATION** - assurez-vous toujours qu'il y a suffisamment de ventilation dans la zone de travail quand vous pulvérisez.
- **BUSE A PANIER** - conservez toujours la buse de pulvérisation à panier en place pendant utilisation.
- **CONSIDEREZ L'ENVIRONNEMENT DE LA ZONE DE TRAVAIL** - n'utilisez pas de pistolet à pulvérisation lorsqu'il existe un risque d'incendie ou d'explosion.
- **SOYEZ CONSCIENT DE TOUT DANGER** - soyez conscient de tout danger que présenterait la matière pulvérisée et consultez les indications sur le récipient ou les informations fournies par le fabricant.
- **NE PULVERISEZ PAS** - ne pulvérisez aucune matière lorsque le danger n'est pas connu.
- **UTILISEZ UNE PROTECTION POUR LES YEUX** - Utilisez toujours la protection pour les yeux appropriée afin d'écarter les vapeurs ou fumées dangereuses.
- **PORTEZ UN MASQUE** - n'utilisez jamais un pistolet de pulvérisation sans porter de masque.
- **PROTEGEZ VOTRE AUDITION** - portez des protections anti-bruit si le bruit de la pression dépasse 85 dB(A).
- **ENTRETENEZ VOS OUTILS** - gardez votre pistolet de pulvérisation, récipients de peintures et buses propres. Ne nettoyez pas avec des liquides inflammables dont le point éclair est inférieur à 32°C. Contrôlez périodiquement le câble d'alimentation secteur et s'il est endommagé, faites-le remplacer par une personne qualifiée.
- **FLAMME NUE** - ne pulvérisez jamais à proximité d'une flamme nue ou de la veilleuse d'un appareil.

- **CIGARETTE** - ne jamais fumer pendant que vous pulvérisez.
- **DILUTION** - lisez toujours les recommandations ou instructions de dilution du fabricant pour la peinture avant d'utiliser la peinture ou autre matériau.
- **DEBRANCHEZ L'ALIMENTATION SECTEUR** - débranchez toujours l'alimentation secteur lorsque vous remplissez le récipient de peinture ou que vous nettoyez le pistolet.
- **COUPEZ L'ALIMENTATION QUAND VOUS NE PULVERISEZ PAS** - éviter de faire fonctionner l'appareil pendant n'importe quel laps de temps avec le bouton de débit entièrement fermé.



Nous ne saurions être tenus responsables des dommages éventuellement causés par l'utilisation de substances inappropriées ou de peintures qui n'ont pas été diluées correctement et de tout danger pour la santé qui proviendrait d'un manque d'aération.

Coupez immédiatement le pistolet pulvérisateur:

- En cas d'interruption de la tension secteur ou d'endommagement de la prise ou du cordon.
- En cas d'interrupteur défectueux.
- En cas de fumée ou d'odeur d'isolement brûlé.

Consignes de sécurité électrique

Lors d'utilisation de machines électriques, observez les consignes de sécurité locales en vigueur en matière de risque d'incendie, de chocs électriques et de lésion corporelle. En plus des instructions ci-dessous, lisez entièrement les consignes de sécurité contenues dans le cahier de sécurité fourni à part.



Vérifiez toujours si la tension de votre réseau correspond à la valeur mentionnée sur la plaque signalétique.



Machine de la classe II – Double isolation – vous n'avez pas besoin d'une prise avec mise à terre.

En cas de changement de câbles ou de fiches

Si le câble d'alimentation électrique est endommagé, il doit être remplacé par un câble d'alimentation électrique spécial disponible auprès du fabricant ou de son service clientèle. Jetez les vieux câbles ou prises immédiatement

après les avoirs remplacés par de nouveaux. Il est dangereux de brancher un câble lâche.

En cas d'emploi de câbles prolongateurs

Employez exclusivement un câble prolongateur homologué, dont l'usage est approprié pour la puissance de la machine. Les fils conducteurs doivent avoir une section minimale de 1,5 mm². Si le câble prolongateur se trouve dans un dévidoir, déroulez entièrement le câble.

3. MODE D'EMPLOI

Préparation

Fig. B



Ne pas utiliser de peintures ou revêtements muraux texturés car cela bouche la buse de pulvérisation.

Pour obtenir les meilleurs résultats, il est important que vous prépariez la surface à pulvériser et diluez la peinture jusqu'à la viscosité correcte, avant d'utiliser votre pistolet pulvérisateur. Assurez-vous toujours que les surfaces à pulvériser sont propres et sans poussière ni saleté et graisse. Assurez-vous d'avoir masqué les zones à ne pas pulvériser, en utilisant un ruban à masquer de bonne qualité. La peinture ou fluide à pulvériser doit être bien mélangé, sans grumeaux ni autres particules. De nombreuses substances peuvent être pulvérisées avec votre pistolet, mais il faudra toujours vérifier les recommandations du fabricant avant d'acheter votre peinture.

Dilution



Ne jamais oublier de débrancher l'alimentation secteur avant de remplir le récipient de peinture de matière à pulvériser.

La plupart des peintures sont fournies prêtes à l'application par pinceau et doivent être diluées avant de convenir à la pulvérisation. Suivez les recommandations du fabricant pour la dilution de la peinture pour utilisation avec un pistolet. La coupe de mesure de viscosité vous aidera à déterminer la viscosité qui convient pour la peinture que vous vous proposez d'utiliser. Pour déterminer la viscosité correcte, remplissez la

coupe jusqu'au bord avec de la peinture. Mesurez le temps qu'il faut pour que la coupe se vide à nouveau dans la boîte.

Le tableau ci-dessous indique les temps d'écoulement recommandés pour divers types de matériau.

Peinture plastique et latex	24-28 secondes
Peinture à base d'eau	20-25 secondes
Primaires	24-28 secondes
Vernis	20-25 secondes
Peintures à l'huile	18-22 secondes
Peintures laques	18-22 secondes
Peintures aluminium	22-25 secondes
Sous-couche d'étanchéité auto	25-35 secondes
Étanchéification du bois	28-35 secondes
Conservateur du bois	pas de dilution
Teinture pour bois	pas de dilution

Si la peinture met plus longtemps à s'écouler de la coupe que le temps recommandé, une dilution supplémentaire est encore nécessaire. Introduire et mélanger une petite quantité du diluant approprié et utiliser l'essai de viscosité jusqu'à obtention de l'épaisseur correcte. Certaines matières pulvérisables contiennent des particules et des grumeaux. Ces matériaux doivent être filtrés avant de remplir le bol de peinture.

Pulvérisation

Fig. C

Remplir le bol de peinture avec la peinture correctement diluée et filtrée. Raccorder le pistolet à l'alimentation secteur. Orienter le pistolet sur une chute de matériau et appuyer sur la gâchette jusqu'à pulvérisation de la peinture. Ajuster la commande débit (2) jusqu'à ce qu'on obtienne le débit requis de peinture pulvérisée. Tourner la commande dans le sens horaire (B) pour réduire le débit et anti-horaire (A) pour augmenter le débit. Le réglage du débit influencera la forme de pulvérisation. Une forme de pulvérisation inégale concentrera la peinture au centre du jet et donnera une finition tachée. Une bonne forme de pulvérisation donnera une distribution de peinture égale sur toute la surface peinte.

Techniques de pulvérisation

Fig. D

Pour obtenir les meilleurs résultats, gardez votre pistolet au même niveau et toujours parallèle à la

surface. Gardez la buse à 25-30cm de la surface et pulvérisez de façon égale d'un côté à l'autre et de bas en haut. Ne pulvérisez pas à un angle car cela entraîne des coulures sur la surface. Faites passer le pistolet dans un mouvement de va et vient régulier. Pour les grandes surfaces, utilisez une forme de pulvérisation croisée comme indiqué ci-dessous.

Fig. E

Ne jamais démarrer ou arrêter le pulvérisateur pendant qu'on vise la surface à pulvériser. Contrôlez toujours la vitesse de mouvement du pistolet. Un mouvement rapide sur la surface donnera une couche mince et un mouvement lent donnera une couche épaisse. Appliquez une seule couche à la fois. Si une couche supplémentaire est nécessaire, assurez-vous d'observer le temps de séchage recommandé par le fabricant avant d'appliquer une seconde couche. Quand vous pulvérisez de petites surfaces, réglez la commande de débit sur un bas débit. Cela évitera d'utiliser trop de peinture ainsi qu'une pulvérisation excessive. Si possible, évitez d'arrêter et de démarrer pendant la pulvérisation d'un objet. Cela peut conduire à une application insuffisante ou excessive de la peinture. N'inclinez jamais le pistolet à plus de 45°.
Werk niet onder een hoek van meer dan 45°.

Montage et utilisation de la buse flexible

Fig. F

La rallonge à buse flexible doit être utilisée pour pulvériser des surfaces planes ou horizontales. Elle doit aussi être utilisée dans les zones à accès limité. Pour monter la buse flexible, dévissez la buse à panier et fixer la buse flexible à sa place. Remplacez la buse à panier à l'extrémité de la buse flexible et serrez.

4. ENTRETIEN



Assurez-vous que la machine n'est pas sous tension si vous allez procéder à des travaux d'entretien dans son système mécanique.

Ces appareils sont mis au point pour fonctionner sur une longue période de temps sans problème et avec un entretien minimal. Vous allongerez la durée de vie de votre appareil si vous le nettoyez régulièrement et l'utilisez avec soin.

Dépannage

1. Le moteur bourdonne mais ne pulvérise pas ou donne une pulvérisation irrégulière

- Tête rotative usée.
- Remplacer la tête rotative.
- Tuyau d'aspiration pas dans la bonne position
- Réajuster le tuyau d'aspiration.
- Tuyau d'aspiration obturé
- Nettoyer avec du diluant.
- Buse obturée
- Nettoyer la buse.
- Filtre obturé
- Nettoyer avec du diluant.
- Le bouton de commande a besoin d'être réglé
- Régler.

2. L'atomisation n'est pas bonne

- Le réglage de volume n'est pas correct
- Régler.
- Peinture trop épaisse
- Vérifier la viscosité de la peinture.

3. Trop de peinture

- Le pistolet n'est pas propre ou pas lubrifié, et le piston reste donc bloqué dans le cylindre.
- Démontez le pistolet et nettoyez au diluant.
- Trop de peinture
- Régler le débit dans le sens horaire pour réduire la pulvérisation. Deux couches minces sont meilleures qu'une seule couche épaisse.
- Viscosité trop basse.
- Vérifier la viscosité.

4. Moteur plus bruyant que d'habitude

- Pulvérisateur pas propre ou pas lubrifié, et le piston est donc collé dans le cylindre.
- Démontez le pistolet et nettoyez au diluant.

5. Pas de pulvérisation, pas de bruit

- Pas d'électricité
- Vérifier l'alimentation électrique.

6. Le bruit de fonctionnement est anormal.

- Mauvais réglage du débit
- Réajuster.
- Pas assez de peinture dans le bol et il y a donc aspiration d'air.
- Remplir de peinture.
- Ne dilue pas comme il convient et la matière ne passe pas complètement dans le tuyau d'aspiration.

- Vérifier le tuyau d'aspiration et le niveau de viscosité.

7. Aspect de „peau d'orange„

- On n'utilise pas le bon solvant.
 - Utiliser le bon solvant.
- Le pistolet est trop loin de la surface.
 - Maintenir le pistolet plus prêt de l'objet.
- Peinture trop épaisse
 - Diluer la peinture.

Nettoyage et maintenance

Fig. G



N'oubliez jamais de débrancher l'appareil de l'alimentation secteur avant de nettoyer le pistolet pulvérisateur ou le bol de peinture.

Il est essentiel de bien nettoyer le pistolet pulvérisateur après chaque utilisation. L'absence de nettoyage entraînera une obturation et l'appareil ne fonctionnera pas lorsque vous le réutiliserez. La garantie ne couvre pas le nettoyage d'un pulvérisateur qui n'a pas été bien nettoyé par l'utilisateur. Après chaque utilisation, procédez comme suit:

- Vider toute matière restante du bol de peinture.
- Vient nettoyer le bol de peinture avec le diluant qui a été utilisé.
- Verser une certaine quantité de diluant dans le bol de peinture et pulvériser avec le pistolet jusqu'à ce que du diluant propre sorte de la buse.
- Bien nettoyer le tuyau d'aspiration de peinture et son filtre avec du diluant.
- Nettoyer le panier et la buse et déposer tout autre débris ou peinture restante.
- Rretourner le pistolet de pulvérisation et appliquer quelques gouttes d'huile légère aux deux ouvertures (F). Cela lubrifiera le piston et le cylindre.

Si votre pulvérisateur a besoin d'être encore intérieurement nettoyé, il peut s'avérer nécessaire de le démonter entièrement. Dans ce cas, procéder comme suit:

- Débrancher la fiche de la prise murale.
- Retirer le bol de peinture, détacher le tuyau d'aspiration et le filtre.
- Déposer l'ensemble de la pompe.
- Séparer la buse (H), la valve (J), le piston (K) et le ressort (L).

- Nettoyer le cylindre (M) et toutes les pièces soigneusement avec du solvant.
- Appliquer quelques gouttes d'huile légère au piston, au ressort et au cylindre.
- Ré-assembler le pistolet.

Graissage

L'appareil n'a besoin d'aucun graissage supplémentaire.

Dysfonctionnements

Si une panne surgit par exemple après détérioration d'une pièce, mettez-vous en relation avec les services clientèle indiqués sur votre carte de garantie. A l'arrière de ce mode d'emploi vous trouverez une liste détaillée des pièces pouvant être commandées.

ENVIRONNEMENT

Pour éviter les dommages liés au transport, la machine est livré dans un emballage robuste. L'emballage est autant que possible constitué de matériau recyclable. Veuillez par conséquent destiner cet emballage au recyclage



Tout équipement électronique ou électrique défectueux dont vous vous seriez débarrassé doit être déposé aux points de recyclage appropriés.

Uniquement pour les pays CE

Ne jetez pas les outils électriques avec les déchets domestiques. Selon la directive européenne 2012/19/EU « Déchets d'équipements électriques et électroniques » et sa mise en œuvre dans le droit national, les outils électriques hors d'usage doivent être collectés séparément et mis au rebut de manière écologique.

GARANTIE

Pour les conditions de garantie, lisez le certificat de garantie joint à part.

Le produit et le manuel d'utilisation sont sujets à modifications. Les spécifications peuvent changer sans autre préavis.

PISTOLA DE PINTAR ELÉCTRICA SGM1012

Gracias por comprar este producto Ferm. Al hacerlo ha adquirido un excelente producto, suministrado por uno de los proveedores líderes en Europa. Todos los productos suministrados por Ferm se fabrican de conformidad con las normas más elevadas de rendimiento y seguridad. Como parte de nuestra filosofía también proporcionamos un excelente servicio de atención al cliente, respaldado por nuestra completa garantía. Esperamos que disfrute utilizando este producto durante muchos años.

Los números que se indican en el siguiente texto hacen referencia a las figuras contenidas en las páginas 2-3.



Lea atentamente estas instrucciones de uso antes de poner el aparato en funcionamiento. Póngase al corriente con la forma de funcionamiento y el manejo. Cuide la máquina de acuerdo con las instrucciones para que funcione siempre de forma correcta. Las instrucciones de uso y la correspondiente documentación deben guardarse en la proximidad de la máquina.

Contenidos

1. Datos técnicos
2. Instrucciones de seguridad
3. Instrucciones de operación
4. Mantenimiento

1. DATOS TÉCNICOS

Tensión	220-240 V~
Frecuencia	50 Hz
Consumo	110 W
Flujo máx. boquilla	300 ml/min
Capacidad contenedor	800 ml
Diámetro boquilla	0,8 mm
Peso	1,75 kg
L _{pa} (capacidad presión sonora)	91 dB(A)
L _{wa} (nivel de potencia sonora)	102 dB(A)
Valor de vibración	11,53 m/s ²

Compruebe que la máquina y los accesorios no han sufrido ningún daño durante el transporte.

Nivel de vibración

El nivel de emisión de vibraciones indicado en este manual de instrucciones ha sido medido según una prueba estándar proporcionada en EN 60745; puede utilizarse para comparar una herramienta con otra y como valoración preliminar de la exposición a las vibraciones al utilizar la herramienta con las aplicaciones mencionadas

- al utilizarla para distintas aplicaciones o con accesorios diferentes o con un mantenimiento deficiente, podría aumentar de forma notable el nivel de exposición
- en las ocasiones en que se apaga la herramienta o cuando está funcionando pero no está realizando ningún trabajo, se podría reducir el nivel de exposición de forma importante

Protéjase contra los efectos de la vibración realizando el mantenimiento de la herramienta y sus accesorios, manteniendo sus manos calientes y organizando sus patrones de trabajo

Información del producto

Fig. A

1. Carcasa del motor
2. Control de salida
3. Interruptor de disparo
4. Asa
5. Contenedor de pintura
6. Boquilla del cesto de rociado
7. Copa de viscosidad

2. INSTRUCCIONES DE SEGURIDAD

Explicación de los símbolos



Indica peligro de accidente, de muerte o riesgo de provocar averías en el aparato en caso de no seguir las instrucciones de este manual.



Indica el peligro de sufrir descargas eléctricas.



Lleve guantes de seguridad.



Utilice siempre una máscara cuando utilice la herramienta. Cuando sierre madera, metal y otros materiales, el polvo que se produce, es perjudicial para la salud. ¡Recuerde que nunca debe serrar asbesto o material que contenga asbesto!



Póngase gafas de seguridad

Instrucciones de seguridad adicionales

- **NUNCA ROCIE A PERSONAS**- Nunca apunte con la boquilla a otra persona o animal. Nunca permita que el rociado entre en contacto directo con la piel.
- **PUNTO DE IGNICIÓN**- Este rociador no debe utilizarse para rociar pinturas inflamables y disolventes con un punto de ignición inferior a 32°C.
- **VENTILACIÓN**- Asegúrese siempre de que haya una ventilación adecuada en la zona de trabajo cuando rocíe.
- **BOQUILLA DE CESTA**- Mantenga siempre la boquilla de cesta rociadora cuando use la herramienta.
- **TENGA EN CUENTA EL ENTORNO DE LA ZONA DE TRABAJO**- No utilice rociadores cuando exista riesgo de incendio o explosión.
- **TENGA PRESENTE CUALQUIER PELIGRO**- Esté atento a cualquier peligro que pueda surgir con el material rociado y consulte las marcas en el contenedor o la información suministrada por el fabricante.
- **NO ROCÍE**- No rocíe en ningún material cuyo peligro sea desconocido.
- **PROTEJASE LOS OJOS**- Utilice siempre la protección de ojos adecuada para evitar que vapores o humos peligrosos penetren en sus ojos.
- **UTILICE UNA MÁSCARA**- Nunca opere un rociador sin utilizar una máscara facial.
- **PROTÉJASE LOS OÍDOS**- Utilice protectores de oídos si el ruido supera los 85 dB(A).
- **DE MANTENIMIENTO A SUS HERRAMIENTAS**- Mantenga el rociador, el contenedor de pintura y las boquillas limpias. No los limpie con líquidos inflamables que tengan un punto de ignición inferior a 32°C. Inspeccione el cable de red periódicamente y si estuviese dañado, haga que un técnico

cualificado lo cambie.

- **LLAMAS**- Nunca rocíe cerca de llamas al aire libre ni tampoco cerca del hornillo de una cocina.
- **CIGARRILLOS**- No fume nunca mientras esté rociando.
- **DISOLVENTES**- Lea siempre las recomendaciones o instrucciones de los fabricantes de disolventes antes de utilizar pinturas u otros materiales.
- **DESCONECTE EL EQUIPO DE LA TOMA DE RED**- Desconecte siempre el equipo de la toma de red cuando rellene el contenedor de pintura y cuando limpie el rociador.
- **APAGUE EL EQUIPO CUANDO NO VAYA A ROCIAR**- Evite poner en funcionamiento la unidad con el botón de control de flujo totalmente cerrado.



No aceptamos ninguna responsabilidad por daños causados por el uso de sustancias inadecuadas o pinturas que no han sido disueltas correctamente, así como por cualquier peligro contra la salud que pudiera surgir por falta de ventilación adecuada.

Apague el rociador inmediatamente cuando:

- Exista alguna interrupción en el conector de red, cable de red o daños en el cable de red.
- El interruptor esté defectuoso.
- Perciba olor a quemado o humos.

Seguridad eléctrica

Tenga siempre presentes las normas de seguridad locales con respecto al peligro de incendio, peligro de sufrir descargas eléctricas y peligro de accidentes. Lea, además de las instrucciones que siguen a continuación, las normas de seguridad que aparecen en el cuadernillo anexo.



Controle que la tensión de la red sea la misma que la que aparece indicada en la placa.



Herramienta de tipo II - Doble aislamiento - No requiere enchufe con conexión a tierra.

Recambio de cables y enchufes

Si la red eléctrica de cables resulta dañada, se debe sustituir con una red de cables especial que

se puede obtener del fabricante o del servicio de atención al cliente. Deshágase de los cables o clavijas antiguos inmediatamente después de sustituirlos por los nuevos. Es peligroso conectar a un enchufe la clavija de un cable suelto.

Uso de cables de extensión

Utilice siempre cables de extensión autorizados que sean aptos para la potencia del aparato. Los hilos deben tener un diámetro de 1,5 mm². Cuando el cable de extensión esté en un carrete, desenrolle el cable completamente.

3. INSTRUCCIONES DE OPERACIÓN

Preparación

Fig. B



No utilice pinturas de pared texturizadas o recubrimientos, ya que estos bloquearán la boquilla.

Para conseguir resultados óptimos, es importante preparar la superficie a rociar y diluir la pintura para corregir su viscosidad, antes de operar el rociador. Asegúrese siempre de que las superficies a rociar estén libres de polvo, suciedad y grasa. Asegúrese de enmascarar las zonas que no desea pintar utilizando cinta adhesiva. La pintura o fluido a rociar debe mezclarse completamente y estar libre de grumos u otras partículas. Se pueden rociar muchas sustancias con un rociador, pero siempre observe las recomendaciones de los fabricantes antes de adquirir la pintura.

Dilución



Recuerde siempre desconectar la máquina de la red eléctrica antes de rellenar el contenedor con material a rociar.

La mayoría de pinturas se suministran preparadas para su aplicación con brocha y necesitan ser diluidas antes de llevar a cabo el rociado. Siga las recomendaciones de los fabricantes sobre la dilución de la pintura cuando utilice un rociador. La copa de viscosidad le ayudará a determinar la viscosidad correcta de la pintura a utilizar. Para determinar la viscosidad correcta, rellene la copa

a rebosar con pintura. Mida el tiempo que tarda la copa en vaciarse nuevamente en la lata. La tabla siguiente muestra los tiempos recomendados para los distintos tipos de material.

Pinturas plásticas y látex	24 a 28 segundos
Pinturas al agua	20 a 25 segundos
Imprimaciones	24 a 28 segundos
Barnices	20 a 25 segundos
Pinturas al óleo	18 a 22 segundos
Pinturas de esmalte	18 a 22 segundos
Pinturas de aluminio	22 a 25 segundos
Selladores de coches	25 a 35 segundos
Selladores de madera	28 a 35 segundos
Preservativos de madera	No se requiere diluyentes
Tintes de madera	No se requiere diluyentes

Si la pintura tarda más tiempo que el recomendado en vaciarse, se requiere una dilución adicional. Mezcle en pequeñas cantidades el diluyente adecuado y utilice la prueba de viscosidad hasta conseguir la viscosidad adecuada. Algunos materiales de rociado pueden contener partículas y grumos. Estos materiales deben ser filtrados antes de rellenar el contenedor de pintura.

Rociado

Fig. C

Rellene el contenedor de pintura con la pintura correctamente diluida y filtrada. Conecte el rociador a la toma de red eléctrica. Apunte la máquina rociadora sobre algún material de pruebas y presione el gatillo hasta que empiece el rociado. Ajuste el control de salida (2) hasta que se rocíe el volumen requerido de pintura. Gire el control de salida en sentido horario (B) para reducir el flujo y en sentido anti-horario (A) para aumentar el flujo. El ajuste del control de salida afectará al patrón de rociado. Un patrón de rociado pobre concentrará la pintura en el centro del rociado y producirá un acabado manchado. Un buen patrón de rociado proporcionará una distribución uniforme de la pintura.

Técnicas de rociado

Fig. D

Para obtener resultados óptimos, mantenga el rociador a nivel y paralelo a la superficie en todo momento. Mantenga la boquilla entre 25 a 30 cm de la superficie y rocíe de forma uniforme de lado a lado o de arriba abajo. No rocíe diagonalmente,

ya que esto produciría corrimientos de la pintura sobre la superficie. Haga movimientos suaves y parejos. Cuando rocíe zonas grandes, utilice un patrón en cruzado como muestra la figura.

Fig. E

Nunca encienda ni apague el rociador mientras apunta a la superficie a rociar. Controle de manera uniforme el movimiento del rociador. Un movimiento rápido sobre la superficie producirá una capa delgada y un movimiento lento una capa gruesa. Aplique una capa cada vez. Si se requiere una capa adicional, asegúrese de observar el tiempo de secado indicado por el fabricante antes de aplicar una segunda capa. Cuando rocíe zonas pequeñas, mantenga el control de salida en un ajuste bajo. Esto evitará utilizar demasiada pintura y evitará el exceso de rociado. Cuando sea posible, evite detener y comenzar cuando esté rociando un objeto. Esto puede hacer que se aplique demasiada o muy poca pintura. No incline el rociador más de 45°.

Conexión y uso de la boquilla flexible

Fig. F

La extensión de boquilla flexible debe utilizarse para rociar superficies planas u horizontales. Debe utilizarse también en zonas con acceso limitado. Para conectar la boquilla flexible, desatornille la boquilla de cesta y conecte la boquilla flexible en su lugar. Coloque la boquilla de cesta en el extremo de la boquilla flexible y apriete.

4. MANTENIMIENTO



Antes de proceder a efectuar cualquier tarea de mantenimiento en el mecanismo interior, asegúrese de que el aparato no está enchufado.

Estas máquinas han sido desarrolladas para funcionar durante largo tiempo sin dificultades y con un mantenimiento mínimo. Prolongará la vida útil de su máquina si la limpia regularmente y la utiliza de forma adecuada.

Resolución de problemas

1. El motor suena pero no se produce rociado o el rociado es irregular

- Cabezal de remolino gastado.
- *Sustituya el cabezal de remolino.*
- Tubo de absorción en posición incorrecta.
- *Vuelva a colocar el tubo de absorción.*
- Tubo de absorción atascado.
- *Limpie con disolvente.*
- Boquilla bloqueada.
- *Limpie la boquilla.*
- Filtro bloqueado.
- *Limpie con disolvente.*
- Botón de control requiere ajuste.
- *Ajuste.*

2. La atomización no es correcta

- El ajuste de volumen es incorrecto.
- *Ajuste.*
- La pintura queda muy gruesa.
- *Compruebe la viscosidad de la pintura.*

3. Exceso de pintura

- El rociador no está limpio o no está lubricado, lo que hace que el pistón se atasque en el cilindro.
- *Desmonte el rociador y limpie con disolvente.*
- *Demasiada pintura.*
- *Ajuste el volumen en sentido horario para reducir el rociado. Es preferible aplicar dos capas delgadas que una capa gruesa.*
- Viscosidad demasiado baja.
- *Compruebe la viscosidad.*

4. El motor hace más ruido de lo normal

- El rociador no está limpio o no está lubricado, lo que hace que el pistón se atasque en el cilindro.
- *Desmonte el rociador y limpie con disolvente.*

5. No se produce rociado, no hay sonido

- No hay electricidad.
- *Compruebe la alimentación eléctrica.*

6. El sonido en funcionamiento no es correcto

- Ajuste de salida incorrecto.
- *Vuelva a ajustar.*
- No hay suficiente pintura en el contenedor, lo que da como resultado que se absorba aire.
- *Rellene con pintura.*
- Dilución incorrecta o no pasa por el tubo de absorción completamente.

- Compruebe el tubo de absorción o el nivel.

7. “Nuvo” **excessiva**

- Uso de solvente incorreto.
- Use *solvente adecuado*.
- Pistola de pulverización distante da superficie.
- *Mantenha a pistola de pulverización mais próximo do objeto.*
- Tinta muito grossa.
- *Dilua a tinta.*

Limpieza y mantenimiento

Fig. G



Recuerde siempre desconectar la máquina de la red eléctrica antes de limpiar el rociador o el contenedor de pintura.

Es esencial limpiar el rociador cuidadosamente después de cada uso. ¡El no hacerlo dará como resultado seguro el atascamiento e impedirá que pueda volver a utilizar la máquina la próxima vez que la necesite! La garantía no cubre la reparación de un rociador que no ha sido limpiado correctamente después de cada uso. Debe llevarse a cabo el procedimiento siguiente después de cada uso:

- Vacíe el material sobrante del contenedor.
- Limpie el contenedor cuidadosamente con el diluyente que se utilizó.
- Vierta algo de diluyente en el contenedor y rocíe nuevamente hasta que sólo salga líquido diluyente por la boquilla del rociador.
- Limpie cuidadosamente el tubo de absorción de pintura y fíltrelo con diluyente.
- Limpie la cesta y boquilla y elimine cualquier otro resto o pintura sobrante.
- Dé la vuelta al rociador y aplique unas gotas de aceite ligero en las dos aperturas (F). Esto lubricará el pistón y el cilindro.

Si el rociador requiere una limpieza interna, podría ser necesario desmontarlo. Si así fuese, lleve a cabo el siguiente procedimiento:

- Quite el conector de la toma de red eléctrica.
- Quite el contenedor de pintura, tubo de absorción y filtro.
- Quite el conjunto de la bomba.
- Libere la boquilla (H), válvula (J), pistón (K) y muelle (L).
- Limpie el cilindro (M) y todas las piezas

cuidadosamente con disolvente.

- Aplique unas gotas de aceite ligero de lubricación en el pistón, muelle y cilindro.
- Vuelva a montar el rociador.

Engrase

El aparato no necesita ser engrasado.

Fallos

Caso que aparezca un fallo por desgaste de una pieza, póngase en contacto con el servicio que aparece indicado en la tarjeta de garantía. En la parte trasera de estas instrucciones se encuentra una exposición detallada sobre las piezas que pueden ser perdidas.

USO ECOLÓGICO

Para prevenir los daños durante el transporte, el aparato ha sido embalado. Dicho embalaje está hecho, en la medida de lo posible, de material reciclable. Le rogamos, por lo tanto, que recicle dicho material.



Cualquier aparato eléctrico o electrónico desechado y/o defectuoso tiene que depositarse en los lugares apropiados para ello.

Sólo para países CE

No deseche las herramientas eléctricas con los residuos domésticos. De conformidad con la Directiva Europea 2012/19/EU sobre residuos de aparatos eléctricos y electrónicos y su implementación en el derecho nacional, las herramientas eléctricas que dejen de funcionar deben recogerse por separado y desecharse de forma respetuosa con el medio ambiente.

GARANTÍA

Lea atentamente las condiciones de garantía indicadas en la tarjeta de garantía que aparece en este manual de instrucciones.

El producto y el manual de usuario están sujetos a cambios. Las especificaciones pueden modificarse sin previo aviso.

PISTOLA DE PULVERIZAÇÃO ELÉTRICA SGM1012

Obrigado por adquirir este produto Ferm. Trata-se de um produto excelente, fabricado por um dos fornecedores líderes na Europa. Todos os produtos fornecidos pela Ferm são fabricados em conformidade com os mais elevados requisitos de desempenho e segurança. Como parte da nossa filosofia, oferecemos uma excelente assistência ao cliente, apoiada pela nossa garantia abrangente. Esperamos que desfrute deste produto por muitos anos.

Os números no texto seguinte referem-se aos desenhos na página 2-3



Leia este manual de instruções com atenção antes de colocar o aparelho em funcionamento. Familiarize-se com o modo de funcionamento e de operação. Efectue a manutenção ao aparelho de acordo com as indicações, de forma a garantir um bom funcionamento. O manual de instruções e a documentação correspondente devem ser guardadas perto do aparelho.

Conteúdos

1. Dados da máquina
2. Instruções de segurança
3. Instruções de operação
4. Manutenção

1. DADOS DA MÁQUINA

Voltagem	220-240 V~
Frequência	50 Hz
Potência de entrada	110 W
Fluxo máximo do bico	300 ml/min
Capacidade do reservatório	800 ml
Diâmetro do bico	0,8 mm
Peso	1,75 kg
Lpa (nível de pressão acústica)	91 dB(A)
Lwa (nível de potência acústica)	102 dB(A)
Valor de vibração	11,53 m/s ²

Verifique a máquina, peças soltas e acessórios para identificar danos ocorridos no transporte.

Nível de vibração

O nível de emissão de vibrações indicado na parte

posterior deste manual de instruções foi medido de acordo com um teste normalizado fornecido na EN 60745; pode ser utilizado para comparar uma ferramenta com outra e como uma avaliação preliminar de exposição à vibração quando utilizar a ferramenta para as aplicações mencionadas

- utilizar a ferramenta para diferentes aplicações ou com acessórios diferentes ou mantidos deficiente, pode aumentar significativamente o nível de exposição
- o número de vezes que a ferramenta é desligada ou quando estiver a trabalhar sem fazer nada, pode reduzir significativamente o nível de exposição

Proteja-se contra os efeitos da vibração, mantendo a ferramenta e os acessórios, mantendo as mãos quentes e organizando os padrões de trabalho

Informações sobre o produto

Fig. A

1. Gabinete do motor
2. Controle de saída
3. Gatilho
4. Manopla
5. Reservatório de tinta
6. Cesto do bico pulverizador
7. Copo de viscosidade

2. INSTRUÇÕES DE SEGURANÇA

Explicação de símbolos



Indica risco de lesões pessoais, perigo de vida ou danos na ferramenta em caso de não cumprimento das instruções descritas neste manual.



Indica risco de choque eléctrico.



Use luvas de protecção.



Use uma máscara de pó. Trabalhar com madeira, metais e outros materiais pode produzir poeira potencialmente nociva para a saúde. Não trabalhe com material com contenha amianto!



Utilize óculos de segurança.

Instruções de segurança adicionais

- **NUNCA PULVERIZE SOBRE PESSOAS** - Nunca aponte o bico para outras pessoas ou animais. Nunca deixe que o jato entre em contato direto com a pele.
- **PONTO DE IGNIÇÃO** - Esta pistola não deve ser usada para pulverizar tintas inflamáveis ou solventes com ponto de ignição abaixo de 32 °C.
- **VENTILAÇÃO** - Sempre certifique-se que há ventilação adequada na área de serviço quando pulverizar.
- **CESTO DO BICO** - Sempre mantenha o cesto do bico pulverizador no lugar durante o uso.
- **CONSIDERE O AMBIENTE DE TRABALHO** - Não use pistolas de pulverização quando há risco de incêndio ou explosão.
- **TENHA CAUTELA COM RISCOS** - Tenha cautela com qualquer risco que possa oferecer o material pulverizado e consulte as etiquetas no reservatório ou a informação fornecida pelo fabricante.
- **NÃO PULVERIZE** - Não pulverize materiais quando o risco não for conhecido.
- **USE PROTEÇÃO PARA OS OLHOS** - Sempre use proteção apropriada para os olhos para evitar contato com vapores perigosos.
- **USE UMA MÁSCARA** - Nunca opere a pistola de pulverização sem usar uma máscara para a face.
- **PROTEJA SEUS OUVIDOS** - Use uma proteção auditiva se o nível de pressão acústica exceder 85 dB (A).
- **MANTENHA SUAS FERRAMENTAS** - Mantenha sua pistola de pulverização, reservatório de tinta e bicos limpos. Não limpe com líquidos inflamáveis cujo ponto de ignição seja inferior a 32 °C. Verifique o cabo de alimentação periodicamente e se danificado solicite a uma pessoa qualificada a troca do mesmo.
- **CHAMA ABERTA** - Nunca pulverize próximo a uma chama aberta.
- **FUMO** - Nunca fume durante a pulverização.
- **DILUIÇÃO** - Sempre leia as recomendações ou instruções de diluição do fabricante de tintas antes de usar tintas ou outros materiais.

- **DESCONECTE DA FONTE DE ALIMENTAÇÃO** - Sempre desconecte a fonte de alimentação durante o abastecimento do reservatório de tinta ou quando limpar a pistola de pulverização.
- **DESLIGUE QUANDO NÃO PULVERIZAR** - Evite deixar o equipamento funcionando com o gatilho completamente fechado por qualquer intervalo de tempo.



Não nos responsabilizamos por danos causados pelo uso de substâncias não apropriadas, ou tintas que não foram diluídas corretamente, como também por quaisquer danos à saúde que possam surgir pela ausência ou deficiência de ventilação.

Desligue imediatamente a pistola quando:

- Ocorrer interrupção na fonte de alimentação, defeitos na tomada ou cabo de alimentação danificado.
- Ocorrer defeito na chave.
- Sentir cheiro de isolamento queimado ou fumaça.

Segurança eléctrica

Quando usar ferramentas eléctricas, respeite sempre as regras de segurança localmente em vigor, referentes ao perigo de incêndio, choque eléctrico ou ferimentos. Além das instruções seguintes leia também as instruções de segurança fornecidas em separado.



Verifique sempre se a voltagem da rede corresponde à voltagem indicada na chapa de tipo.



Máquina classe II – Isolamento duplo – Não necessita de tomada com terra.

Substituição de cabos ou fichas

Em caso de deterioração do cabo da corrente, este deverá ser substituído por um cabo de corrente especial, disponível a partir do fabricante ou do serviço de apoio ao cliente do fabricante. Destrua os cabos ou fichas usados imediatamente após a sua substituição por novos. É perigoso ligar a ficha de um cabo frouxo a uma tomada.

Utilização de cabos de prolongamento

Apenas use cabos de prolongamento aprovados que sejam adequados para a potência da máquina. A espessura mínima dos fios condutores é de 1,5 mm². Quando usar um cabo de prolongamento enrolado, desenrole sempre o cabo completamente.

3. INSTRUÇÕES DE OPERAÇÃO

Preparação

Fig. B



Não use tintas com textura ou cobertura pois estas irão entupir o bico.

Para a obtenção de melhor resultado, é importante que você prepare a superfície a ser pulverizada e dilua a tinta na viscosidade correta antes de começar a usar a pistola de pulverização. Sempre assegure que as superfícies a serem pulverizadas estão livres de humidade, sujeira e gorduras. Certifique-se que você cobriu as áreas que não devem ser pintadas com uma fita de boa qualidade.

A tinta ou líquido a ser pulverizado deve ser misturado de forma homogênea e estar livre de nós ou outras partículas. Muitas substâncias podem ser pulverizadas com sua pistola de pulverização, mas sempre verifique as recomendações do fabricante antes de comprar sua tinta.

Diluição



Sempre lembre-se de desconectar da fonte de alimentação antes de abastecer o reservatório de tinta com material.

As tintas em sua maioria são fornecidas de forma pronta para aplicação com pincel e necessitam ser diluídas antes de pulverizar. Siga a indicação do fabricante para a diluição da tinta para uso em pistolas de pulverização. O copo de viscosidade vai ajudá-lo a determinar a viscosidade correta da tinta. Para determinar a viscosidade correta, encha o copo até a borda com a tinta. Marque o tempo necessário para que o conteúdo seja esvaziado.

A tabela abaixo mostra o tempo recomendado para diferentes tipos de material.

Tintas plásticas & latex	24 - 28 segundos
Tintas a base de água	20 - 25 segundos
Seladores	24 - 28 segundos
Vernizes	20 - 25 segundos
Tintas à base de óleo	18 - 22 segundos
Tintas esmalte	18 - 22 segundos
Tintas metálicas	22 - 25 segundos
Proteção automobilística	25 - 35 segundos
Seladores para madeira	28 - 35 segundos
Conservantes para madeira	Não necessita de diluição
Tintas para madeira	Não necessita de diluição

Se a tinta leva mais tempo que o recomendado para esvaziar, é necessária maior diluição. Misture uma quantidade pequena do diluidor apropriado e repita o teste de viscosidade até que seja atingida a grossura correta. Alguns materiais contêm partículas e nós. Estes materiais devem ser coados antes de abastecidos no reservatório de tinta.

Pintando

Fig. C

Encha reservatório de tinta com a tinta corretamente diluída e coada. Conecte a pistola à fonte de alimentação. Direcione a pistola para uma peça ou material de teste e acione o gatilho para que a tinta seja pulverizada. Ajuste o controle de saída (2) até que o volume de tinta desejado seja pulverizado. Gire o controle de saída no sentido horário (B) para reduzir o fluxo e no sentido anti-horário (A) para aumentar o fluxo. O ajuste do controle de saída vai afetar o padrão da pulverização. Um padrão de pulverização fraco vai concentrar a tinta no centro do jato e deixar uma acabamentoo espumante. Um padrão de pulverização bom vai deixar uma distribuição uniforme da tinta sobre a superfície.

Técnicos de pulverização

Fig. D

Para obter o melhor resultado, mantenha a sua pistola de pulverização nivelada e paralela à superfície todo o tempo. Mantenha o bico a 25 - 30 cm da superfície e pulverize uniformemente de um lado até o outro ou para cima e para baixo. Não pulverize em ângulo pois isto vai deixar falhas na pintura da superfície. Faça movimentos suaves e uniformes. Quando pulverizar áreas grandes, use um padrão cruzado como no exemplo.

Fig. E

Nunca ligue ou desligue a pistola enquanto esta está direcionada para a superfície a ser pintada. Controle a velocidade de movimento da pistola de forma uniforme. Uma velocidade muito rápida sobre a superfície vai deixar uma camada fina mas uma velocidade muito lenta vai deixar uma camada muito grossa. Aplique uma camada de cada vez. Se for necessária mais uma camada, observe o tempo de secagem recomendado pelo fabricante antes de aplicar a segunda camada. Quando pulverizar áreas pequenas, mantenha o controle de saída em um ajuste baixo. Isto vai evitar o uso excessivo de tinta. Se possível evite parar e começar durante a pulverização de um objeto. Isto pode levar à aplicação de tinta em excesso ou em falta. Não incline a pistola a mais de 45°.

Montando e usando o bico flexível**Fig. F**

O bico de extensão flexível deve ser usado para pulverizar superfícies largas ou horizontais. Deve ser usado também em áreas com acesso limitado. Para montar o bico flexível, desaparafuse o cesto do bico e conecte o bico flexível em seu lugar. Recoloque o cesto do bico na ponta do bico flexível e aperte.

4. MANUTENÇÃO

Tenha o cuidado de ter a máquina desligada da corrente quando efectuar a manutenção nas partes mecânicas.

As máquinas concebidas para operar durante de um período de tempo prolongado com um mínimo de manutenção. A continuidade do funcionamento satisfatório da máquina depende da adequada manutenção da máquina e da sua limpeza regular.

Resolução de problemas**1. O motor funciona mas não pulveriza ou pulveriza de forma irregular**

- Cabeça da ventoinha gasta.
- Troque a cabeça da ventoinha.
- Tubo pescador não está na posição correta.
- Re-ajuste o tubo pescador.
- Tubo pescador bloqueado.

- Limpe com solvente.

- Bico bloqueado.
- Limpe o bico.
- Filtro bloqueado.
- Limpe com solvente.
- Gatilho de controle necessita de ajuste.
- Ajuste-o.

2. Atomização não é de boa qualidade

- Ajuste de volume não está correto.
- Ajuste-o.
- Tinta muito fina.
- Verifique a viscosidade da tinta.

3. Sobre pintura

- Pistola de pulverização suja ou não lubrificada, resulta em pistão preso no cilindro.
- Desmonte a pistola de pulverização e limpe com solvente.
- Tinta em excesso.
- Ajuste o volume no sentido horário para diminuir a pulverização. Duas camadas finas são melhores que uma camada grossa.
- Viscosidade muito baixa.
- Verifique a viscosidade.

4. Motor mais ruidoso que o normal

- Pistola de pulverização suja ou não lubrificada, resulta em pistão preso no cilindro.
- Desmonte a pistola de pulverização e limpe com solvente.

5. Não pulveriza, alimentação

- Não há eletricidade.
- Verifique a fonte de não emite ruído.

6. Ruído de funcionamento incorreto

- Ajuste de saída fraco.
- Re-ajuste.
- Tinta insuficiente no reservatório resulta em ar sendo aspirado.
- Abasteça com tinta.
- Não diluída corretamente ou não passa pelo tubo pescador completamente.
- Verifique o tubo pescador e o nível de viscosidade.

7. “Nuvem” excessiva

- Uso de solvente incorreto.
- Use solvente adequado.
- Pistola de pulverização distante da superfície.

- Mantenha a pistola de pulverização mais próximo do objeto.

- Tinta muito grossa.
- Dilua a tinta.

Limpeza e manutenção

Fig. G



Sempre lembre-se de desconectar da fonte de alimentação antes de limpar a pistola ou o reservatório de tinta.

É essencial que a pistola de pulverização seja limpa completamente após cada uso. Falha na limpeza certamente resultará em entupimentos e podem ocorrer problemas no funcionamento quando você quiser usá-la novamente! A garantia não cobre a limpeza de um pulverizador que não tenha sido limpo adequadamente pelo usuário.

Os seguintes procedimentos devem ser tomados após cada uso:

- Esvazie completamente todo o material do reservatório.
- Limpe o reservatório com o solvente que foi usado.
- Coloque um pouco de solvente no reservatório e pulverize até que somente solvente limpo saia pelo bico.
- Limpe bem o tubo pescador de tinta e o filtro com o solvente.
- Limpe o cesto e o bico e remova qualquer fragmento ou tinta remanescente.
- Gire pulverizador para baixo e goteje algumas gotas de óleo lubrificante leve nas duas aberturas. (F). Isto vai lubrificar o pistão e o cilindro.

Se sua pistola de pulverização necessitar de limpeza interna adicional, pode ser necessário desmontá-la. Neste caso os seguintes procedimentos devem ser observados:

- Remova o contato da tomada de alimentação.
- Remova o reservatório de tinta, o tubo pescador e o filtro.
- Retire a bomba.
- Solte o bico (H), válvula (J), pistão (K) e mola (L).
- Limpe o cilindro (M) e todas as partes com solvente.
- Aplique algumas gotas de óleo lubrificante leve no pistão, mola e cilindro.
- Remonte a pistola de pulverização.

Lubrificação

A máquina não requer qualquer lubrificação adicional.

Falhas

Se ocorrer alguma falha, por exemplo, devido a desgaste duma peça, contacte o endereço de assistência indicado no cartão de garantia. No fim deste manual encontra um diagrama de componentes alargado com as peças que podem ser encomendadas.

PROTECÇÃO DO MEIO AMBIENTE

Com vista a evitar quaisquer danos de transporte, a máquina é fornecida numa embalagem resistente, fabricada na medida do possível em materiais recicláveis. Entregue, portanto, a embalagem para reciclagem.



Os aparelhos eléctricos ou electrónicos avariados e/ou eliminados têm de ser recolhidos nos pontos de reciclagem adequados.

Apenas para os países da CE

Não coloque as ferramentas eléctricas no lixo doméstico. Em conformidade com a directriz europeia 2012/19/EU relativa a resíduos de equipamentos eléctricos e electrónicos e respectiva implementação na legislação nacional, as ferramentas eléctricas não utilizáveis devem ser recolhidas separadamente e eliminadas de um modo ecologicamente seguro.

GARANTIA

Os termos e condições da garantia encontram-se descritos no boletim da garantia fornecido em separado.

O produto e o manual do utilizador estão sujeitos a alterações. As especificações podem ser alteradas sem aviso prévio.

PISTOLA A SPRUZZO ELETTRICA SGM1012

Grazie per aver acquistato questo prodotto Ferm. Con questo acquisto lei è entrato in possesso di un prodotto di qualità eccellente, distribuito da uno dei principali fornitori in Europa. Tutti i prodotti distribuiti da Ferm sono realizzati in conformità con i più rigidi standard in materia di sicurezza e prestazioni. È nostra filosofia offrire al cliente un servizio di assistenza di eccellente livello, supportato da una garanzia completa. Ci auguriamo che apprezzerà l'uso di questo prodotto per molti anni a venire.

I numeri contenuti nel testo sottostante si riferiscono alle illustrazioni a pagina 2-3



Leggere attentamente le presenti istruzioni per l'uso prima di mettere in funzione l'apparecchio. Provare personalmente il funzionamento e l'impiego del trapano avvitatore. Per un funzionamento sempre perfetto, mantenere l'apparecchio come indicato nelle istruzioni. Conservare le istruzioni per l'uso e la relativa documentazione vicino all'apparecchio.

Contenuti

1. Specifiche tecniche
2. Istruzioni di sicurezza
3. Istruzioni per l'uso
4. Manutenzione

1. SPECIFICHE TECNICHE

Tensione	220-240 V~
Frequenza	50 Hz
Potenza assorbita	110 W
Erogazione massima dell'ugello	300 ml/min
Contenuto del recipiente	800 ml
Diametro dell'ugello	0,8 mm
Peso	1,75 kg
L _{pa} (cap. di pressione del suono)	91 dB(A)
L _{wa} (livello di potenza del suono)	102 dB(A)
Vibrazione	11,53 m/s ²

Controllare che la macchina, i componenti sciolti e gli accessori non siano stati danneggiati durante il trasporto.

Livello delle vibrazioni

Il livello di emissione delle vibrazioni indicato sul retro di questo manuale di istruzioni è stato misurato in conformità a un test standardizzato stabilito dalla norma EN 60745; questo valore può essere utilizzato per mettere a confronto un l'utensile con un altro o come valutazione preliminare di esposizione alla vibrazione quando si impiega l'utensile per le applicazioni menzionate

- se si utilizza l'utensile per applicazioni diverse, oppure con accessori differenti o in scarse condizioni, il livello di esposizione potrebbe aumentare notevolmente
- i momenti in cui l'utensile è spento oppure è in funzione ma non viene effettivamente utilizzato per il lavoro, possono contribuire a ridurre il livello di esposizione

Proteggersi dagli effetti della vibrazione effettuando la manutenzione dell'utensile e dei relativi accessori, mantenendo le mani calde e organizzando i metodi di lavoro

Informazioni sul prodotto

Fig. A

1. Vano motore
2. Regolazione del flusso
3. Interruttore a grilletto
4. Impugnatura
5. Recipiente per la vernice
6. Ugello a cestino per la nebulizzazione
7. Tazza per la viscosità

2. ISTRUZIONI DI SICUREZZA

Legenda dei simboli



Segnala il rischio di lesioni personali, di morte o di danni all'apparecchio in caso di non osservanza delle istruzioni di questo manuale.



Indica il rischio di scossa elettrica.



Indossare guanti protettivi.



Indossare una mascherina per la polvere. Lavorando con il legno, metalli e altri materiali potrebbero venire prodotte polveri dannose per la salute. Non lavorate con materiali che contengono amianto!



Indossare occhiali protettivi.

Istruzioni di sicurezza supplementari

- **NON SPRUZZARE MAI CONTRO LE PERSONE** - Non si deve mai puntare l'ugello della pistola in direzione di persone o animali. Non permettere mai allo spruzzo di venire a diretto contatto con la pelle.
- **PUNTO DI INFIAMMABILITÀ** - Questa pistola a spruzzo non deve mai essere utilizzata per spruzzare su vernici e solventi infiammabili con un punto di infiammabilità inferiore ai 32°C.
- **VENTILAZIONE** - Assicurarsi che nella zona di lavoro vi sia sempre un'adeguata ventilazione durante lo spruzzo.
- **UGELLO A CESTINO** - Durante l'utilizzo tenere sempre montato l'ugello di spruzzo a cestino.
- **TENETE IN CONSIDERAZIONE L'AMBIENTE DELLA ZONA DI LAVORO** - Non utilizzate mai la pistola a spruzzo laddove vi sia rischio d'incendio o di esplosione.
- **SIATE CONSAPEVOLI DI OGNI TIPO DI PERICOLO** - Siate consapevoli di qualsiasi pericolo proveniente dal prodotto spruzzato e consultate le indicazioni riportate sul recipiente o le informazioni fornite dal produttore.
- **NON SPRUZZATE** - Non spruzzate alcun prodotto per il quale non siate a conoscenza del pericolo.
- **UTILIZZATE UNA PROTEZIONE PER GLI OCCHI** - Utilizzate sempre una appropriata protezione per gli occhi, così da evitare i vapori o i fumi pericolosi.
- **PORTARE UNA MASCHERA** - Non utilizzate mai una pistola a spruzzo senza portare una maschera.
- **PROTEGGETE IL VOSTRO UDITO** - Portate delle protezioni anti-rumore, se il rumore della pressione dovesse superare gli 85 dB(A).
- **ESEGUITE UNA CORRETTA MANUTENZIONE** - Tenete ben pulita la pistola a spruzzo, i recipienti delle vernici e gli ugelli. Non pulire utilizzando liquidi infiammabili il cui punto di

infiammabilità sia inferiore ai 32°C. Controllate periodicamente il cavo di alimentazione e, nel caso in cui fosse danneggiato, fatelo sostituire da una persona qualificata.

- **FIAMMA NUDA** - Non spruzzate mai in prossimità di una fiamma nuda o di una fiammella di un'apparecchiatura.
- **SIGARETTA** - Non si deve mai fumare durante la nebulizzazione.
- **DILUIZIONE** - Leggete sempre le raccomandazioni o istruzioni di diluizione della vernice rilasciate dal produttore prima di utilizzare la vernice o qualsiasi altro prodotto.
- **STACCARE L'INTERRUTTORE DI ALIMENTAZIONE** - Staccate sempre l'interruttore di alimentazione quando riempite il recipiente di vernice o quando pulite la pistola.
- **SPEGNETE L'APPARECCHIO QUANDO NON SPRUZZATE** - Evitare di far funzionare l'apparecchio per qualsiasi lasso di tempo con la manopola di regolazione del flusso completamente chiusa.



Non ci riteniamo responsabili di eventuali danni provenienti dall'utilizzo di sostanze inappropriate o di vernici che non sono state diluite correttamente, e di qualsiasi pericolo per la salute proveniente da una mancanza di ventilazione.

Spegnete immediatamente la pistola spruzzo:

- In caso d'interruzione di tensione o di danneggiamento della spina o del cavo.
- In caso di interruttore difettoso.
- In caso di fumo o di odore d'isolamento bruciato.

Norme elettriche di sicurezza

Quando utilizar máquinas eléctricas deve sempre respeitar as normas de segurança em vigor no local, devido ao perigo de incêndio, de choques eléctricos ou ferimentos pessoais. Para além das instruções abaixo, leia também as instruções de segurança apresentadas no folheto de segurança em anexo. Guarde as instruções num lugar seguro!



Accertarsi sempre che l'alimentazione elettrica corrisponda alla tensione indicata sulla targhetta dei dati caratteristici.



Macchina classe II - Doppio isolamento - Non è necessaria la messa a terra.

Sostituzione dei cavi elettrici o delle spine

Sbarazzarsi immediatamente di vecchi cavi e spine una volta che sono stati sostituiti. E' pericoloso collegare cavi sciolti ad una presa elettrica.

Uso di prolunghe

Utilizzare soltanto prolunghe approvate ed idonee alla potenza della macchina. I nuclei devono avere una sezione minima di 1,5 mm². Se la prolunga arrotolata su di una bobina, occorre srotolarla completamente.

3. ISTRUZIONI PER L'USO

Preparazione

Fig. B



Non utilizzare vernici o rivestimenti murali granulosi, poichè si potrebbe otturare l'ugello di spruzzo.

Per ottenere il risultato migliore, è importante che, prima di utilizzare la pistola a spruzzo, si prepari la superficie da spruzzare e si diluisca la vernice fino ad ottenere la giusta viscosità. Assicuratevi sempre che le superfici da spruzzare siano pulite e prive di polvere, sporcizia e grasso. Assicuratevi di aver coperto le zone che non si vogliono spruzzare, utilizzando un nastro adesivo di buona qualità. La vernice o il liquido da spruzzare deve essere ben miscelato, privo di grumi o di altre particelle. Molte sostanze possono essere spruzzate con la vostra pistola, ma bisognerà sempre seguire le istruzioni del produttore prima di acquistare una determinata vernice.

Diluzione



Non dimenticare mai di scollegare l'apparecchio prima di riempire il recipiente di vernice da spruzzare.

La maggior parte delle vernici vengono vendute pronte per essere utilizzate con il pennello e devono essere diluite prima di essere utilizzate a spruzzo. Seguite le raccomandazioni del produttore per la diluizione della vernice da utilizzare con una pistola a spruzzo. La tazza di misurazione della viscosità vi aiuterà a determinare la viscosità adatta per la vernice che avete deciso di utilizzare. Per determinare la

giusta viscosità, riempite la tazza fino al bordo con della vernice. Misurate il tempo necessario perchè la tazza si svuoti di nuovo nella latta.

La tabella sottostante indica i tempi di scolo per i diversi tipi di materiale.

Vernici di plastica e latex	24-28 secondi
Vernici a base d'acqua	20-25 secondi
Primer	24-28 secondi
Vernici trasparenti	20-25 secondi
Vernici ad olio	18-22 secondi
Vernici a smalto	18-22 secondi
Vernici d'alluminio	22-25 secondi
Sottosmalto impermeabilizzante per auto	25-35 secondi
Impermeabilizzanti per il legno	28-35 secondi
Preservanti del legno	non serve diluizione

Coloranti del legno non serve diluizione

Se la vernice impiega più tempo del dovuto a scolare dalla tazza, sarà necessaria un'ulteriore diluizione. Introdurre e miscelare una piccola quantità del diluente indicato e utilizzare la prova di viscosità fino ad ottenere la corretta consistenza. Alcuni prodotti spruzzabili contengono particelle e grumi. Questi materiali devono essere filtrati prima di riempire il contenitore di vernice.

Nebulizzazione

Fig. C

Riempire il recipiente con la vernice correttamente diluita e filtrata. Collegare la pistola alla presa di alimentazione. Orientare la pistola su un pezzo di scarto e premere il grilletto fino ad ottenere la nebulizzazione della vernice. Regolare il regolatore di flusso (2) fino ad ottenere l'erogazione di vernice nebulizzata desiderata. Girare il regolatore di flusso in senso orario (B) per ridurre l'erogazione e in senso anti-orario (A) per aumentare l'erogazione. La regolazione del flusso influenzerà la forma della nebulizzazione. Un tipo di nebulizzazione non uniforme concentrerà la vernice al centro dello spruzzo e darà una finitura a chiazze. Una buona forma di nebulizzazione darà una distribuzione di vernice uniforme su tutta la superficie verniciata.

Techniche di nebulizzazione

Fig. D

Per ottenere il risultato migliore, tenete la vostra pistola allo stesso livello e sempre parallela alla superficie. Tenete l'ugello a 25-30cm dalla superficie e nebulizzate in maniera uniforme da una

parte all'altra e dal basso in alto. Non nebulizzate da un'angolazione, perchè ciò causerà delle sbavature di vernice sulla superficie. Utilizzate la pistola con movimenti regolari e costanti. Per verniciare grandi superfici, utilizzate una forma di nebulizzazione incrociata come indicato qui sotto.

Fig. E

Non azionare o interrompere mai lo spruzzo mentre si sta puntando alla superficie da nebulizzare. Controllate sempre la velocità di movimento della pistola. Un movimento rapido sulla superficie darà uno strato sottile e un movimento lento darà uno strato spesso. Applicate un solo strato alla volta. Se si ritiene necessario applicare uno strato supplementare, assicuratevi di osservare il tempo di asciugatura raccomandato dal produttore prima di applicare un secondo strato. Quando nebulizzate su delle piccole superfici, regolate l'erogazione con un piccolo flusso. Ciò eviterà di utilizzare troppa vernice e di eseguire una nebulizzazione eccessiva. Se vi è possibile, evitate di fermarvi e ripartire durante la nebulizzazione di un oggetto. Ciò può portare ad un'applicazione insufficiente o eccessiva di vernice. Non inclinate mai la pistola a più di 45°.

Montaggio e utilizzo dell'ugello flessibile

Fig. F

La prolunga flessibile dell'ugello deve essere utilizzata per nebulizzare superfici piane o orizzontali. La si deve utilizzare anche sulle zone ad accesso limitato. Per montare l'ugello flessibile, svitare l'ugello a cestino e fissare al suo posto l'ugello flessibile. Rimettere l'ugello a cestino all'estremità dell'ugello flessibile e avvitare.

4. MANUTENZIONE



Assicurarsi che la macchina non sia sotto tensione quando si effettuano dei lavori di manutenzione sul motore.

Questi apparecchi sono progettati per funzionare per lungo tempo senza problemi e con una manutenzione minima. Pulendo regolarmente e trattando in modo appropriato il trapano avvitatore, se ne prolunga la durata.

Individuazione dei guasti

1. Il motore fa un ronzio ma non spruzza o fa una nebulizzazione irregolare

- Testa rotativa consumata.
- *Sostituire la testa rotativa.*
- Il tubo di aspirazione non si trova nella giusta posizione.
- *Risistemare il tubo di aspirazione.*
- Il tubo di aspirazione è otturato.
- *Pulire con del diluente.*
- L'ugello è otturato.
- *Pulire l'ugello.*
- Il filtro è otturato.
- *Pulire con del diluente.*
- La manopola necessita di essere regolata.
- *Regolarla.*

2. La nebulizzazione non è buona

- La regolazione del volume non è corretta.
- *Regolarla.*
- La vernice è troppo densa
- *Verificare la viscosità della vernice.*

3. C'è troppa vernice

- La pistola non è pulita o lubrificata, e il pistone resta quindi bloccato nel cilindro.
- *Smontare la pistola e pulirla lubrificata, e il pistone con del diluente.*
- C'è troppa vernice.
- *Regolare il flusso in senso orario per ridurre la nebulizzazione. Due strati sottili sono migliori di un solo strato più spesso.*
- Viscosità non sufficiente.
- *Verificare la viscosità.*

4. Il motore è più rumoroso del solito

- Il nebulizzatore non è pulito o lubrificato, e il pistone è quindi bloccato nel cilindro.
- *Smontare la pistola e pulire con del diluente.*

5. Assenza di nebulizzazione, assenza elettrica

- Mancanza di elettricità di rumore.
- *Verificare l'alimentazione.*

6. Il rumore di funzionamento è anomalo

- La regolazione del flusso non è corretta.
- *Regolarla di nuovo.*
- Non c'è vernice sufficiente nel recipiente e quindi viene aspirata dell'aria.
- *Aggiungere della vernice.*

- Non si diluisce come si deve e il materiale non passa completamente nel tubo di aspirazione.
 - *Verificare il tubo di aspirazione e il livello di viscosità.*

7. Aspetto di „buccia d'arancio“

- Non si sta utilizzando il giusto solvente
 - *Utilizzare il giusto solvente.*
- La pistola è troppo lontana dalla superficie
 - *Tenere la pistola più vicina all'oggetto.*
- La vernice è troppo densa
 - *Diluire la vernice.*

Pulizia e manutenzione

Fig. G



Non dimenticate mai di scollegare l'apparecchio prima di pulire la pistola nebulizzatrice o il recipiente della vernice.

È essenziale eseguire una buona pulizia della pistola nebulizzatrice dopo ogni utilizzo. La mancata pulizia causerà un'otturazione e l'apparecchio non funzionerà quando lo riutilizzerete. La garanzia non risponde sulla pulizia di un nebulizzatore che non è stato ben pulito dall'utente. Dopo ogni utilizzo, procedete nel seguente modo:

- Svuotare tutto il materiale rimasto nel recipiente della vernice.
- Pulire bene il recipiente della vernice con il diluente che è stato utilizzato.
- Versare una certa quantità di diluente nel recipiente della vernice e nebulizzare con la pistola fino alla fuoriuscita dall'ugello di diluente pulito.
- Pulire bene il tubo di aspirazione della vernice e il relativo filtro utilizzando del diluente.
- Pulire il cestino e l'ugello e gettare qualsiasi altro scarto o vernice rimasta.
- Ribaltare la pistola di nebulizzazione e applicare qualche goccia d'olio leggero sulle due aperture (F). Questo lubrificerà il pistone e il cilindro.

Se il vostro nebulizzatore necessita ancora di essere pulito all'interno, può rivelarsi necessario di smontarlo completamente. In questo caso, si proceda nel seguente modo:

- Togliere la spina dalla presa.
- Togliere il recipiente della vernice, staccare il tubo d'aspirazione e il filtro.
- Togliere l'insieme della pompa.

- Separare l'ugello (H), la valvola (J), il pistone (K) e la molla (L).
- Pulire il cilindro (M) e tutti i pezzi accuratamente con del solvente.
- Applicare qualche goccia d'olio leggero su pistone, molla e cilindro.
- Rimontare la pistola.

Lubrificazione

L'apparecchio non necessita di lubrificazione.

Guasti

Se a causa ad esempio dell'usura di un pezzo si dovesse verificare un guasto, contattare il centro assistenza indicato sulla scheda della garanzia. In fondo alle presenti istruzioni si trova una lista completa dei pezzi ordinabili

AMBIENTE

Per evitare che il trapano avvitatore si danneggi durante il trasporto, l'apparecchio viene fornito in una solida confezione composta per lo più di materiale riciclabile. Smaltire quindi la confezione in modo da renderne possibile il riciclaggio.



Strumenti elettrici e/o elettronici difettosi o usurati devono essere smaltiti in appropriate aree di riciclaggio.

Soltanto per paesi CE.

Non smaltire gli elettrodomestici nei contenitori per rifiuti domestici. Ai sensi della Direttiva 2012/19/EU del Parlamento europeo in materia di Rifiuti da apparecchiature elettriche ed elettroniche e della relativa attuazione nell'ambito della legislazione nazionale, gli elettrodomestici inutilizzabili devono essere raccolti separatamente e smaltiti in modo ecocompatibile.

GARANZIA

Leggere le condizioni di garanzia riportate nell'apposita scheda della garanzia allegata.

Questo prodotto ed il presente manuale utente sono soggetti a modifiche. Le specifiche possono essere modificate senza preavviso.

ELEKTRISK SPRUTPISTOL SGM1012

Tack för att du valde denna Ferm-produkt. Du har nu fått en utmärkt produkt, levererad av en av Europas ledande leverantörer.

Alla produkter som levereras från Ferm är tillverkade enligt de högsta standarderna för prestanda och säkerhet. Som en del av vår filosofi ingår även att vi tillhandahåller en utmärkt kundservice, som även backas upp av vår omfattande garanti.

Vi hoppas att du kommer att ha glädje av denna produkt i många år.

Siffrorna i texten nedan hänvisar till bilderna på sidorna 2-3



Läs noga igenom denna bruksanvisning innan du börjar använda maskinen. Gör dig bekant hur den fungerar och sköts. Underhåll maskinen enligt anvisningarna så att den alltid fungerar felfritt. Bruksanvisning och tillhörande dokumentation ska förvaras i närheten av maskinen.

Innehåll

1. Tekniska specifikationer
2. Säkerhetsföreskrifter
3. Instruktioner för användning
4. Underhåll

1. TEKNISKA SPECIFIKATIONER

Spänning	220-240 V~
Frekvens	50 Hz
Ingångseffekt	110 W
Maximalt munstycksflöde	300 ml/min
Behållarens rymd	800 ml
Munstycksdiameter	0,8 mm
Vikt	1,75 kg
Lpa (ljudtrycksnivå)	91 dB(A)
Lwa (ljudeffektnivå)	102 dB(A)
Vibrationsvärde	11,53 m/s ²

Kontrollera maskinen, lösa delar och tillbehör så att de inte skadats vid transport.

Vibrationsnivå

Vibrationsemissionsvärdet som står på baksidan av den här instruktionsboken har uppmätts

enligt ett standardiserat test i enlighet med EN 60745; detta värde kan användas för att jämföra vibrationen hos olika verktyg och som en ungefärlig uppskattning av hur stor vibration användaren utsätts för när verktyget används enligt det avsedda syftet

- om verktyget används på ett annat än det avsedda syftet eller med fel eller dåligt underhållna tillbehör kan detta drastiskt öka vibrationsnivån
- när verktyget stängs av eller är på men inte används, kan detta avsevärt minska vibrationsnivån

Skydda dig mot vibration genom att underhålla verktyget och dess tillbehör, hålla händerna varma och styra upp ditt arbetssätt

Produktbeskrivning

Bild A

1. Motorhus
2. Utmatningsreglage
3. Avtryckarströmställare
4. Handtag
5. Färgbehållare
6. Sprutkorgmunstycke
7. Viskositetsbägare

2. SÄKERHETS FÖRESKRIFTER

Symbolernas betydelse



Anger att det föreligger risk för personskador, livsfara eller risk för skador på maskinen om instruktionerna i denna bruksanvisning inte efterlevs.



Anger risk för elektrisk stöt.



Använd skyddshandskar.



Använd en skyddsmask mot damm. När du arbetar med trä, metall eller andra material, kan damm bildas som är skadlig för hälsan. Arbeta ej med material som innehåller asbest!



Bär skyddsglasögon.

Särskilda säkerhets anvisningar

- **SPRUTA ALDRIG PÅ PERSONER** - Rikta aldrig munstycket mot en annan person eller ett djur. Låt aldrig pistolen komma i direkt kontakt med huden.
- **FLAMPUNKT** - Denna sprutpistol får inte användas för att spruta antändbara färger och lösningsmedel med en flampunkt som är lägre än 32 °C
- **VENTILATION** - Säkerställ alltid att det föreligger tillfredsställande ventilation inom det arbetsområde där sprutning sker.
- **KORGMUNSTYCKE** - Håll alltid sprutkorgsmunstycket på plats när det används.
- **TA HÄNSYN TILL ARBETSOMRÅDETS MILJÖ** - Använd inte sprutpistol där det föreligger explosionsrisk.
- **UNDBIK ALLA RISKER** - Undvik alla risker med ämnen som sprutas och beakta anvisningarna på förvaringskärl et eller den information som tillhandahålles av tillverkaren.
- **SPRUTA INTE** - Spruta inte något ämne för vilket riskerna är okända.
- **ANVÄND ÖGONSKYDD** - Använd alltid lämpligt skydd för ögonen för att hålla dem fria från farliga ångor eller rökgaser.
- **ANVÄND ANSIKTSSKYDD** - Använd aldrig en sprutpistol utan påtaget ansiktsskydd.
- **SKYDDA ÖRONEN** - Använd skydd för öronen om ljudnivån överstiger 85 dB(A).
- **UNDERHÅLL DINA VERKTYG** - Håll din sprutpistol, färgbehållare och munstycken rena. Rengör inte med antändbara vätskor med en flampunkt som är lägre än 32° C. Kontrollera elsladden regelbundet och låt behörig person byta ut den vid skada.
- **ÖPPEN ELD** - Spruta aldrig nära öppen eld eller tändlåga för någon anordning.
- **RÖKNING** - Rök aldrig när du sprutar.
- **FÖRTUNNING** - Läs alltid färgtillverkarens rekommendationer för förtunning eller instruktioner före användningen av färg eller andra ämnen.
- **STÄNG AV STRÖMTILLFÖRSELN** - Stäng alltid av strömtillförseln när ni fyller färgbehållaren eller rengör sprutpistolen.
- **STÄNG AV APPARATEN NÄR NI INTE SPRUTAR** - Låt inte apparaten gå med strömreglaget helt stängt under en längre tid.



Vi åtager oss inget ansvar för skador som orsakats genom användning av olämpliga ämnen eller färger som inte har förtunnats korrekt samt alla hälsorisker som uppstår till följd av brist på lämplig ventilation.

Stanna omedelbart maskinen när:

- Maskinen tenderar att överhettas.
- Elkabel eller kontakter uppvisar någon som helst defekt, t ex skadad isolering.
- Strömbytare inte fungerar som den ska.
- Rökig eller dålig lukt indikerar bränd isolering.

Elektrisk säkerhet

Vid användning av elektriska maskiner, iakttä alltid de säkerhetsföreskrifter som gäller lokalt i samband med brandfara, fara för elektriska stötar och kroppsskada. Läs förutom nedanstående instruktioner även igenom bladet med säkerhetsföreskrifter som bifogas separat.



Kontrollera alltid om din nätspänning överensstämmer med värdet på typplattan.



Maskin klass II – dubbel isolering, jordad kontakt behövs ej.

Byta ut kablar eller stickkontakter

Om nätkabeln skadas, måste den bytas ut mot en speciell nätkabel som finns hos tillverkaren eller tillverkarens kundservice. Släng gamla kablar eller stickkontakter meddetsamma efter det att du har bytt ut dem mot nya.

Det är farligt att sticka in stickkontakten av en lös sladd i ett uttag.

Vid användning av förlängnings kablar

Använd uteslutande en godkänd förlängningskabel som är lämplig för maskinens effekt. Ledarna måste ha en diameter på minst 1,5 mm². Om förlängningskabeln sitter på en haspel, rulla då ut den helt och hållet.

3. INSTRUKTIONER FÖR ANVÄNDNING

Förberedelse

Bild B



Använd inte texturväggfärger eller bstrykningsmedel eftersom de blockerar munstycket.

För att få bästa resultat är det viktigt att ni förbereder den yta som ska besprutas och förtunnar färgen till korrekt viskositet, innan ni börjar använda sprutpistolen. Försäkra er alltid om att de ytor som skall besprutas är rena från damm, smuts och fett. Kontrollera att ni har maskerat med högkvalitativ maskeringstape de ytor som inte skall besprutas. Den färg eller vätska som skall sprutas skall vara väl blandad och fri från klumpar eller andra partiklar. Många ämnen kan sprutas med vår sprutpistol, men kontrollera tillverkarens rekommendationer innan ni köper er färg.

Förtunning



Kom alltid ihåg att stänga av strömtillförseln innan färgbehållaren fyll med det ämne som skall sprutas.

De flesta färger levereras färdiga för applicering med pensel och måste förtunnas innan de är lämpliga för besprutning. Följ tillverkarens anvisningar om förtunning av färgen när den används med en sprutpistol. Viskositetsbågaren hjälper er att fastställa den rätta viskositeten på färgen som skall användas. För att fastställa den rätta viskositeten fyll bågaren till kanten med färg. Mät den tid det tar för bågaren att tömmas i behållaren. Tabellen nedan visar rekommenderade tider för olika typer av ämnen:

Plast & latexfärg	24-28 sekunder
Vattenbaserad färg	20-25 sekunder
Grundfärger	24-28 sekunder
Fernissor	20-25 sekunder
Oljebaserade färger	18-22 sekunder
Lackfärger	18-22 sekunder
Aluminiumfärger	22-25 sekunder
Bilunderredsmassa	25-35 sekunder
Trägrundlack	28-35 sekunder
Träkonserveringsmedel	Förtunning krävs ej
Trålasyrer	Förtunning krävs ej

Om färgen tar längre tid än den rekommenderade tiden, då krävs förtunning. Blanda en liten kvantitet med lämplig förtunnare och gör viskositetstestet tills den rätta viskositeten uppnås. Vissa sprutämnen innehåller partiklar och klumpar. Dessa ämnen skall filtreras innan de hålls i färgbehållaren.

Sprutning

Bild C

Fyll färgbehållaren med korrekt förtunnad och filtrerad färg. Anslut sprutpistolen till elnätet. Rikta sprutpistolen mot ett stycke avfallsmaterial och tryck in avtryckaren tills färgen sprutar. Reglera utmatningen (2) tills erforderlig mängd färg sprutar. Vrid utmatningsreglaget medurs (B) för att minska flödet och moturs (A) för att öka flödet. Justering av utmatningsreglaget påverkar sprutmönstret. Ett klen sprutmönster koncentrerar färgen i mitten av sprutan och ger en fläckig finish. Ett bra sprutmönster ger jämnt fördelad färg över mönstret.

Spruttekniker

Bild D

För att erhålla det bästa resultatet håll er sprutpistol vågrätt och parallellt med ytan hela tiden. Håll munstycket 25 - 30 cm från ytan och spruta jämnt från sida till sida eller upp och ner. Spruta inte i vinkel eftersom detta medför att färg rinner på ytan. Gör lugna och jämna tag. När stora ytor besprutas tillgrip ett korsande sprutmönster enligt bilden.

Bild E

Starta eller stanna aldrig sprutpistolen när den är riktad mot ytan som skall besprutas. Se till att sprutpistolen förs med jämn hastighet. Hög hastighet över ytan ger ett tunt lager och låg hastighet ger ett tjockt lager. Applicera ett lager per gång. Om ett ytterligare lager behövs se till att ni följer tillverkarens rekommenderade torkningstid innan det andra lagret påförs. När små ytor besprutas, ställ utmatningsreglaget i snålt läge. Detta undviker användning av för mycket färg och förhindrar översprutning. Undvik om möjligt att stoppa och starta under sprutning på ett föremål. Detta kan leda till att för mycket eller för lite färg appliceras. Luta inte sprutpistolen mer än 45°.

Anpassning och användning av det böjbara munstycket

Bild F

Den böjbara munstycksförlängaren skall användas för att bespruta plana eller horisontella ytor. Den skall också användas i svårtillgängliga områden. För att montera det böjbara munstycket, skruva av korgmunstycket och sätt fast det böjbara munstycket på dess plats. Sätt tillbaka korgmunstycket i änden på det böjbara munstycket och tryck fast det.

4. UNDERHÅLL



Koppla alltid ur verktyget från strömkällan innan montering av ett tillbehör.

Denna maskin har konstruerats för att fungera utan problem under lång tid och med minimalt underhåll. Du förlänger dess livslängd genom att regelbundet rengöra den och behandla den fackmässigt.

Felsökning

1. Motorn ljuder men sprutar inte eller oregelbundet

- Utsliten virvelplatta.
- *Ersätt virvelplattan.*
- Upptagningsröret står in i rätt läge.
- *Sätt upptagningsröret i rätt läge.*
- Blockerat upptagningsrör.
- *Rengör med förtunnare.*
- Blockerat munstycke.
- *Rengör munstycket.*
- Blockerat filter.
- *Rengör med förtunnare.*
- Kontrollreglaget behöver justering.
- *Justera.*

2. Finfördelningen är inte bra

- Volymjusteringen är inte korrekt.
- *Justera.*
- Färgen är för tjock
- *Kontrollera färgens viskositet.*

3. För mycket färg

- Sprutpistolen är inte ren eller smord, vilket medför att kolven fastnar i cylindern.
- *Demontera sprutpistolen och rengör med förtunning.*

- För mycket färg.
- *Reglera volymen medurs för att minska flödet.
Två tunna färgskikt är bättre än ett tjockt skikt.*
- Viskositeten är för låg.
- *Kontrollera viskositeten*

4. Motorljudet är högre än normalt

- Sprutpistolen är inte ren eller smord, vilket medför att kolven fastnar i cylindern.
- *Demontera sprutpistolen och rengör med förtunning.*

5. Ingen sprutning, inget ljud

- Ingen elektricitet.
- *Kontrollera strömtillförseln.*

6. Ljudet vid användning inte bra

- För lågt flöde.
- *Justera.*
- Inte tillräckligt med färg i behållaren med följd att luft sugts in.
- *Fyll på färg.*
- Inte tillfredsställande finfördelning eller passerar ej upptagningsröret fullständigt.
- *Kontrollera upptagningsröret och viskositetsnivån.*

7. „Apelsinskal“ för mycket dimbildning

- Felaktigt lösningsmedel används.
- *Använd lämpligt lösningsmedel.*
- Sprutpistolen för långt från ytan
- *Håll sprutpistolen närmare föremålet.*
- Färgen är för tjock
- *Förtunna färgen.*

Rengöring och underhåll

Bild G



Kom ihåg att alltid stänga av apparaten från elnätet innan sprutpistolen eller färgbehållaren rengöres.

Om detta inte sker uppstår nästan oundvikligen stopp och apparaten fungerar inte vid nästa tillfälle! Garantin täcker inte rengöring av sprutpistol som användaren inte har rengjort noggrant. Följande åtgärder måste vidtagas efter varje användning:

- Töm behållaren på allt återstående material.
- Rengör behållaren grundligt med den förtunnare som har använts.
- Håll lite förtunnare i behållaren och spruta

genom sprutpistolen tills endast ren förtunning kommer ut från munstycket.

- Rengör noggrant färgupptagningsröret och filtret med förtunning.
- Rengör korgen och munstycket och avlägsna alla andra återstående föroreningar eller färg.
- Vänd sprutpistolen upp och ned och tillför några droppar tunn olja i de två öppningarna (F). Detta smörjer kolven och cylindern.

Om er sprutpistol kräver extra inre rengöring, är det nödvändigt att demontera den. Då skall följande åtgärder vidtagas:

- Avlägsna kontakten från elsockeln.
- Avlägsna färgbehållaren, ta upp pipen och filtret.
- Ta bort pumpanordningen.
- Lossgör munstycket (H), ventilen (J), kolven(K) och fjädern (L).
- Rengör cylindern (M) och alla delar med lösningsmedel.
- Tillsätt några droppar lätt olja på kolven, fjädern och cylindern.
- Sätt ihop sprutpistolen.

Smörjning

Maskinen behöver ingen extra smörjning.

Fel

Om det till exempel uppstår något fel på en del på grund av förlitning ska du sätta dig i förbindelse med personerna på den serviceadress som anges på garantikortet.

I bruksanvisningens sista del finns en utförlig översikt över de delar som kan beställas.

Endast för EU-länder

Släng inte elverktyg i hushållsavfallet. Enligt det europeiska WEEE-direktivet 2012/19/EU för avfall från elektrisk och elektronisk utrustning och dess tillämpning nationellt ska elverktyg som inte längre kan användas samlas in separat och kasseras på ett miljövänligt sätt.

GARANTI

Läs igenom garantivillkoren på det separat bifogade garantikortet.

Med förbehåll för ändringar i produkten och bruksanvisningen. Specifikationer kan ändras utan förvarning.

DRIFTSTÖRNINGAR

För att förhindra transportskador levereras maskinen i en solid förpackning. Förpackningen består i stor utsträckning av återanvändningsbart material. Använd dig alltså av möjligheten att återanvända förpackningen.



Skadade och/eller kasserade elektriska och elektroniska apparater ska lämnas in enligt gällande miljöregler.

SÄHKÖMAALIRUISKU SGM1012

Kiitämme teitä tämän Ferm-tuotteen valinnasta. Olette hankkineet erinomaisen tuotteen, jonka valmistaja on yksi Euroopan johtavia toimittajia. Kaikki Ferm-yhtiön toimittamat tuotteet on valmistettu korkeimpien suorituskyky- ja turvallisuusstandardien mukaan. Osana filofiaamme tarjoamme myös korkealuokkaisen asiakaspalvelun, jota tukee kokonaisvaltainen takuu. Toivomme, että tuote palvelee teitä monia vuosia.

Tekstin numerot viittaavat kaavioihin sivuilla 2-3



Lue tämä käyttöohje huolellisesti ennen laitteen käyttöönottoa. Tutustu laitteen toimintatapaan ja käyttöön. Huolla laite ohjeiden mukaisesti, jotta se toimii aina moitteettomasti. Käyttöohje ja siihen liittyvät asiakirjat on säilytettävä laitteen läheisyydessä.

Sisältö

1. Tekniset tiedot
2. Turvaohjeet
3. Käyttö
4. Häiriöt

1. TEKNISET TIEDOT

Jännite	220-240 V~
Taajuus	50 Hz
Ottoteho	110 W
Suuttimen suurin virtausnopeus	300 ml/min
Säiliön tilavuus	800 ml
Suuttimen halkaisija	0,8 mm
Paino	1,75 kg
Lpa (äänenpainetaso)	91 dB(A)
Lwa (äänitehotaso)	102 dB(A)
Värähtelyarvo	11,53 m/s ²

Tarkista kone, irralliset osat ja tarvikkeet kuljetusvaurioiden varalta.

Tärinätaso

Tämän ohjekirjan takana mainittu tärinäsäteilytaso on mitattu standardin EN 60745 mukaisen standarditestin mukaisesti; sitä voidaan käyttää verrattaessa yhtä laitetta toiseen sekä alustavana tärinälle altistumisen arviona käytettäessä laitetta manituissa käyttötarkoituksissa

- laitteen käyttö eri käyttötarkoituksiin tai erilaisten tai huonosti ylläpidettyjen lisälaitteiden kanssa voi lisätä merkittävästi altistumistasoa
- laitteen ollessa sammuksissa tai kun se on käynnissä, mutta sillä ei tehdä työtä, altistumistaso voi olla huomattavasti pienempi

Suojaudu tärinän vaikutuksilta ylläpitämällä laite ja sen lisävarusteet, pitämällä kädet lämpiminä ja järjestämällä työmenetelmät

Tuotetiedot

Kuva A

1. Moottorikotelo
2. Ruiskutusmäärän säätö
3. Liipaisinkytkin
4. Kahva
5. Maalinsäiliö
6. Korisuutin
7. Viskositeettimittari

2. TURVAOHJEET

Symbolien selitys



Osoittaa loukkaantumisvaaran, hengenvaaran tai työkalun vaurioitumisriskin, jos tämän oppaan ohjeita ei noudateta.



Osoittaa sähköiskuvaaran.



Käytä suojakäsineitä.



Käytä pölynsuojainta. Puun, metallin tai muun materiaalin työstössä voi syntyä terveydelle haitallista pölyä. Älä työstä materiaalia, joka sisältää asbestia!



Käytä suojalaseja.

Muutturvaohjeet

- ÄLÄ KOSKAAN RUISKUTA IHMISIÄ PÄIN. Älä koskaan suuntaa suutinta ihmisiä tai eläimiä kohti. Suihku ei saa koskaan osua iholle.
- LEIMAHDUSPISTE - Tätä maaliruiskeä ei saa käyttää palonarkojen maalien ja liuottimien

kanssa, joiden leimahduspiste on alle 32 °C.

- TUULETUS - Huolehdi ruiskumaalattessa aina työskentelytilan riittävästä tuuletuksesta.
- KORISUUTIN - Pidä aina korisuutin paikallaan ruiskutuksen aikana.
- TYÖYMPÄRISTÖN VALITSEMINEN - Älä käytä maaliruiskua tiloissa, joissa on tulipalo- tai räjähdysvaara.
- VARO MAHDOLLISIA VAAROJA - Varo aineen ruiskuttamisen aiheuttamia vaaroja ja katso pakkausten ohjeita ja valmistajan antamia tietoja.
- ÄLÄ RUISKUTA - Älä ruiskuta ainetta, jonka vaaroista et tiedä.
- SUOJAA SILMÄT - Käytä aina asianmukaisia silmäsuojaimia, etteivät vaaralliset huuрут ja höyryt pääse silmiin.
- KÄYTÄ HENGITYSSUOJAINTA - Älä koskaan käytä mitään maaliruiskua ilman hengityssuojainta.
- SUOJAA KORVAT - Käytä kuulosuojaimia, jos äänenpaine ylittää 85 dB(A).
- HUOLLA TYÖKALUT - Pidä maaliruisku, maalisäiliö ja suuttimet puhtaina. Älä käytä puhdistamiseen palonarkoja nesteitä, joiden leimahduspiste on alle 32 °C. Tutki virtajohto säännöllisesti ja jos se on vaurioitunut, niin anna pätevän henkilön vaihtaa se.
- AVOTULI - Älä koskaan ruiskumaalaa avotulen tai laitteen sytytysliekin lähellä.
- TUPAKOINTI - Älä koskaan tupakoi ruiskumaalattessasi.
- OHENTAMINEN - Lue aina maalinvalmistajan ohennussuositukset ja -ohjeet ja ennen maalin tai muun aineen käyttöä.
- KYTKE IRTI VERKKOVIRRASTA - Irrota maaliruisku aina verkkovirrasta kun täytät maalisäiliötä tai puhdistat maaliruiskua.
- KYTKE VIRTA POIS, KUN ET RUISKUTA - Vältä maaliruiskun käyttöä silloin, kun virtausmääränsäädin on täysin kiinni.



Emme ota mitään vastuuta sopimattomien aineiden tai väärin ohennettujen maalien käytön aiheuttamista vahingoista tai puutteellisen tuuletuksen aiheuttamista terveysvaaroista.

Kytke maaliruiskunvirta pois välittömästi, jos:

- Virtapistokkeessa tai -johdossa esiintyy katkos tai virtajohto on vioittunut.

- Kytkin on viallinen.
- Havaitset palavasta eristeestä tulevaa savua tai hajua.

Pysäytä kone välittömästi, jos:

- Hiiliharjat kipinöivät liikaa tai kollektori on tulesa.
- Pistoke tai johto on viallinen.
- Kytkin on viallinen.
- Savua tai käryä erittyy.

Sähköturvallisuus

Sähkölaitteita käytettäessä on aina noudatettava paikallisia turvamääräyksiä tulipalon, sähköiskujen ja loukkaantumisten välttämiseksi.



Tarkista aina, ovatko verkkojännitte ja koneen tyyppikilvessä ilmoitettu jännitte yhteen sopivia.



Luokan II kone – kaksoiseristetty – maadoitettua pistorasiaa ei tarvita.

Johtojen ja pistotulppien vaihtaminen

Jos verkkojohto vahingoittuu, se on vaihdettava. Uusia, oikeanlaisia johtoja saa valmistajalta tai sen huoltopalvelusta. Hävitä vanhat johdot ja pistotulpat heti kun ne on vaihdettu uusiin. Irrallisen pistotulpan tai johdon kytkeminen pistorasiaan on vaarallista.

Jatkojohtojen käyttö

Käytä vain virallisesti hyväksytyjä jatkojohtoja koneen teho huomioon ottaen. Johdon ytimien on oltava vähintään 1,5 mm². Käytettäessä johtokelaa koko jatkojohto on vedettävä kelalta.

3. KÄYTTÖ

Valmistelut

Kuva B



Älä käytä rakenteisia maaleja tai pinnoitteita, koska ne saattavat tukkia suuttimen.

Parhaan tuloksen saat valmistelemalla ruiskutettavan pinnan ja ohentamalla maalin oikeaan viskositeettiin ennen maaliruiskun käyttöä. Varmista aina, ettei ruiskutettavilla pinnoilla ole pölyä, likaa tai öljyä. Varmista myös,

että olet peittänyt alueet, joita ei ruiskuteta käyttämällä hyvälaatuista maalarinteippiä. Ruiskutettavan maalin tai nesteen täytyy olla hyvin sekoitettu, eikä siinä saa olla kokkareita tai muita hiukkasia. Monia aineita voidaan ruiskuttaa maaliruiskulla, mutta tarkista aina valmistajan suositukset ennen maalin ostoa.

Ohentaminen



Muista aina irrottaa maaliruisku verkkovirrasta, ennen kuin täytät maalisäiliöön ruiskutettavaa ainetta.

Useimmat maalit toimitetaan valmiina sivelinmaalaamista varten ja niitä tarvitsee ohentaa ennen kuin ne soveltuvat maaliruiskulla ruiskutettavaksi. Noudata valmistajan ohennusohjeita ruiskumaalaukselle. Viskositeettikupin avulla voit määrittää käytettävän maalin oikean viskositeetin. Määritä oikea viskositeetti täyttämällä kuppi maalilla reunaan asti. Mittaa aika, joka kuluu kupin tyhjentymiseen.

Alla olevassa taulukossa esitetään suositellut ajat eri tyyppisille aineille.

Muovi- ja lateksimaalit	24-28 sekuntia
Vesiohenteiset maalit	20-25 sekuntia
Pohjamaalit	24-28 sekuntia
Lakat	20-28 sekuntia
Öljymaalit	18-22 sekuntia
Emalimaalit	18-22 sekuntia
Alumiinimaalit	22-25 sekuntia
Auton alustamassat	25-35 sekuntia
Puun huokoslakat	28-35 sekuntia
Puunkyllästysaine	Ei vaadi ohennusta
Petsi	Ei vaadi ohennusta

Jos maali valuu suositeltua aikaa kauemmin, tarvitaan lisäohennusta. Sekoita maaliin pieni määrä soveltuvaa ohennetta ja toista viskositeettitestit, kunnes oikea viskositeetti on saavutettu. Jotkin ruiskutettavat aineet sisältävät hiukkasia ja kokkareita. Nämä aineet täytyy siivilöidä ennen maalin täyttöä maaliruiskun säiliöön.

Ruiskuttaminen

Kuva C

Täytä maalisäiliö oikein ohennetulla ja siivilöidyllä maalilla. Kytke maaliruisku verkkovirtaan.

Suuntaa maaliruisku johonkin testikappaleeseen ja paina liipaisinkytkintä, kunnes maalia tulee suuttimesta. Säädä ruiskutusmäärän säädintä (2) kunnes maaliruisku suihkuttaa vaaditun määrän maalia. Pienennä maalivirtaa kääntämällä ruiskutusmäärän säädintä myötäpäivään (B) ja suurena virtaa kääntämällä säädintä vastapäivään (A). Ruiskutusmäärän säätäminen vaikuttaa suihkutuskuvioon. Huonossa kuviossa maali keskittyy suihkun keskelle ja jälki on laikullista. Hyvässä kuviossa maali leviää tasaisesti kuvion sisällä.

Ruiskutustekniikat

Kuva D

Parhaan tuloksen saat pitämällä maaliruiskun aina vaakatasossa ja kohtisuorassa käsiteltävään pintaan nähden. Pidä suutin 25-30 cm:n etäisyydellä käsiteltävästä pinnasta ja ruiskuta tasaisesti sivulta toiselle tai ylhäältä alas. Älä ruiskuta kulmassa, koska se aiheuttaa maalin valumista. Käytä tasaisia liikkeitä. Kun ruiskutat laajoja alueita, käytä alla kuvattua edestakaisin-kuviota.

Kuva E

Älä koskaan käynnistä tai pysäytä maaliruiskua sen ollessa suunnattuna käsiteltävään pintaan. Ohjaa maaliruiskun liikkeen nopeutta tasaisesti. Nopea liike pinnalla johtaa ohueen maalikerrokseen ja hidas liike paksuun maalikerrokseen. Levitä yksi kerros kerrallaan. Jos lisäkerroksia tarvitaan, varmista, että noudatat valmistajan suosituksia kuivumisajasta ennen toisen kerroksen levittämistä. Kun ruiskutat pieniä alueita, pidä ruiskutusmäärän säätö pienellä. Näin vältty käyttämästä liikaa maalia. Vältä käynnistämästä tai pysäyttämästä maaliruiskua esinettä ruiskuttaessasi aina kun mahdollista. Se saattaa aiheuttaa liian ohuen tai liian paksun maalipinnan. Älä kallista maaliruiskua enempää kuin 45°.

Taivuteltavan suuttimen asennus ja käyttö

Kuva F

Taivuteltavaa suuttimen jatketta käytetään tasaisten tai vaakatasoisten pintojen käsittelyyn. Sitä käytetään myös hankalasti saavutettavien kohteiden käsittelyssä. Asenna taivuteltava suutin kiertämällä korisuutin irti ja kiinnitä taivuteltava suutin sen paikalle. Kiinnitä korisuutin taivuteltavan suuttimen päähän ja kiristä.

4. HÄIRIÖT



Varmista, että koneessa ei ole virtaa ja että se on irrotettu virtalähteestä, kun huollat moottoria.

Koneet on suunniteltu toimimaan pitkään ja mahdollisimman pienellä huoltotarpeella. Puhdistamalla ja käyttämällä sitä oikealla tavalla voit itsekin vaikuttaa koneen käyttöikään.

Vianetsintä

1. Moottori surisee, mutta ei ruiskuta tai ruisku on epätasainen

- Kulunut pyörrekärki
- *Vaihda pyörrekärki.*
- Imuputki on väärässä
- *Sääädä imuputken asentoa asennossa.*
- Imuputki on tukossa.
- *Puhdista ohenteella*
- Suutin on tukossa.
- *Puhdista suutin.*
- Suodatin on tukossa.
- Puhdista ohenteella.
- Määrän säätöä on säädettävä.
- *Säädä.*

2. Suihkutus ei ole hyvä

- Määrän säätö ei ole kohdallaan.
- *Säädä.*
- Maali on liian paksua.
- *Tarkista maalin viskositeetti.*

3. Liiallinen ruiskutus

- Maaliruisku ei ole puhdas tai se ei ole kunnolla voideltu, joten mäntä on juuttunut sylinteriin.
- *Pura maaliruisku ja puhdista ohenteella.*
- Liikaa maalia.
- *Pienennä ruiskutusta säätämällä ruiskutusmäärän säädintä myötöpäivään. Kaksi ohutta maalikerrosta on parempi kuin yksi paksumpi kerros.*
- Liian matala viskositeetti.
- *Tarkista viskositeetti.*

4. Moottori on tavallista äänekkäämpi

- Maaliruisku ei ole puhdas tai se ei ole kunnolla voideltu, joten mäntä on juuttunut sylinteriin.
- *Pura maaliruisku ja puhdista ohenteella.*

5. Ei maalisuihkuja, ei moottorin ääntä

- Ei sähköä.
- *Tarkista virtalähde.*

6. Käyttöäänä ei kuulostaa oikealta

- Väärä määrän säätö.
- *Säädä uudelleen.*
- Säiliössä ei ole tarpeeksi maalia ja ruisku imee ilmaa.
- *Lisää maalia säiliöön.*
- Maali ei ole ohentunut oikein tai se ei kulje kunnolla imuputken läpi.
- *Tarkista imuputki ja maalin viskositeetti.*

7. „Appelsiinipinta“, liian runsas maalisuus

- Käytetty vääränlaista liuotinta.
- *Käytä oikeanlaista liuotinta.*
- Maaliruisku on liian kaukana käsiteltävästä pinnasta.
- *Pidä maaliruiskua lähempänä kohdetta.*
- Maali on liian paksua.
- *Ohenna maalia.*

Puhdistus ja huolto

Kuva G



Muista aina kytkeä maaliruiskun virta pois päältä ennen maaliruiskun tai maalisäiliön puhdistamista.

On tärkeää, että maaliruisku puhdistetaan huolella jokaisen käyttökerran jälkeen. Jos näin ei tehdä, seurauksena on tukoksia, ja voi olla ettei maaliruisku toimi silloin kun tarvitset sitä seuraavan kerran. Takuu ei kata työkalun puhdistusta, jos käyttäjä ei ole puhdistanut maaliruiskua asianmukaisesti. Jokaisen käyttökerran jälkeen:

- Tyhjennä jäljelle jäänyt aine säiliöstä.
- Puhdista säiliö huolellisesti maalin ohennukseen käytetyllä ohenteella.
- Kaada säiliöön hieman ohennetta ja ruiskuta maaliruiskun läpi, kunnes suuttimesta tulee vain puhdasta ohennetta.
- Puhdista maalin imuputki ja suodatin huolellisesti ohenteella.
- Puhdista kori ja suutin ja poista mahdolliset roskat ja maalitahrat.
- Käännä maaliruisku alassuun ja tiputa muutama pisara ohutta öljyä kahteen reikään (F). Tämä voitelee männän ja sylinterin.

Jos maaliruisku vaatii perusteellisempaa sisäistä puhdistusta, voi olla tarpeen purkaa se. Noudata silloin seuraavia ohjeita:

- Irrota virtajohto verkkovirrasta.
- Irrota maalisäiliö, imuputki ja suodatin.
- Irrota pumppu.
- Vapauta suutin (H), venttiili (J), mäntä (K) ja jousi (L).
- Puhdista huolellisesti sylinteri (M) ja muut osat liuottimella.
- Tiputa muutama pisara ohutta voiteluöljyä mäntään, jouseen ja sylinteriin.
- Kokoa maaliruisku.

Voitelu

Laite ei tarvitse lisävoitelua.

Viat

Jos syntyy vika esimerkiksi jonkin laitteenosan kulumisen vuoksi, ota yhteys takuukortissa mainittuun huolto-osoitteeseen. Tämän ohjeen takaosassa on kattava luettelo tilattavissa olevista osista.

YMPÄRISTÖ

Laite toimitetaan lujassa pakkauksessa kuljetusvaurioiden estämiseksi. Pakkaus koostuu suurelta osin kierrätettävistä materiaaleista. Laita tämän vuoksi pakkausmateriaalit mahdollisuuksien mukaan kierrätykseen.



Vioittuneet tai käytöstä poistettavat sähkölaitteet on toimitettava asianmukaiseen kierrätyspisteeseen.

Vain EC-maille

Älä hävitä sähkölaitteita kotitalousjätteen mukana. Sähkö- ja elektroniikkaromua koskevan EU-standardin 2012/19/EU ja vastaavien paikallisten lakien mukaisesti käytetyt sähkölaitteet on hävitettävä erilliskeräyksessä ympäristöystävällisesti.

TAKUU

Lue takuuehdot erillisestä takuukortista.

Tuotteeseen ja käyttöoppaaseen voidaan tehdä muutoksia. Teknisiä tietoja voidaan muuttaa ilmoituksetta.

ELEKTRISK SPRØYTEPISTOL SGM1012

Takk for at du har kjøpt dette produktet fra Ferm. Du har nå et fremragende produkt fra en av Europas ledende leverandører.

Alle produkter fra Ferm produserer i samsvar med de høyeste standarder for ytelse og sikkerhet. Som en del av vår filosofi yter vi fremragende kundeservice og gir en omfattende garanti. Vi håper du vil ha glede av dette produktet i mange år.

Tallene i teksten henviser til diagrammene på side 2-3



Les bruksanvisningen nøye før du tar maskinen i bruk. Gjør deg kjent med hvordan redskapet fungerer og hvordan den skal brukes. Vedlikehold maskinen som angitt i instruksene, slik at den alltid fungerer knirkefritt. Bruksanvisning og tilhørende dokumentasjon skal oppbevares i nærheten av maskinen.

Innhold

1. Maskinopplysninger
2. Sikkerhetsinstruksjoner
3. Driftinstruks
4. Vedlikehold

1. MASKINOPPLYSNINGER

Spenning	220-240 V~
Frekvens	50 Hz
Inngangseffekt	110 W
Maks. dysegjennomstrømning	300 ml/min
Kapasitet beholder	800 ml
Dysediameter	0,8 mm
Vekt	1,75 kg
Lpa (lydtrykkskapasitet)	91 dB(A)
Lwa (lydeffektsnivå)	102 dB(A)
Vibrasjoner	11,53 m/s ²

Kontroller at det ikke er transportskader på maskin, løse deler og tilbehør.

Vibrasjonsnivå

Det avgitte vibrasjonsnivået som er angitt bak i denne bruksanvisningen er blitt målt i samsvar med en standardisert test som er angitt i EN 60745; den kan brukes til å sammenligne et

verktøy med et annet, og som et foreløpig overslag over eksponering for vibrasjoner ved bruk av verktøyet til de oppgavene som er nevnt

- bruk av verktøyet til andre oppgaver, eller med annet eller mangelfullt vedlikeholdt utstyr, kan gi en vesentlig økning av eksponeringsnivået
- tidsrommene når verktøyet er avslått eller når det går men ikke arbeider, kan gi en vesentlig reduksjon av eksponeringsnivået

Beskytt deg selv mot virkningene av vibrasjoner ved å vedlikeholde verktøyet og utstyret, holde hendene varme og organisere arbeidsmåten din

Produktinformasjon

Fig. A

1. Motorhus
2. Reguleringsknap for sprøjemengden
3. Start / stop
4. Håndtag
5. Malerbeholder
6. Sprøtekurv dyse
7. Viskositetsbæger

2. SIKKERHETSINSTRUKSJONER

Forklaring av symboler



Angir fare for personskade, livsfare eller skade på maskinen hvis instruksjonene i denne bruksanvisningen ikke følges.



Fare for elektrisk støt.



Bruk vernehansker.



Bruk støvmaske. Arbeid med tre, metaller og andre materialer kan det oppstå helsefarlig støv. Ikke arbeid med materialer som inneholder asbest!



Bruk vernebriller.

Ytterligere sikkerhets-instruksjoner

- SPRAY ALDRI MOT PERSONER - Sikt aldri dysen mot mennesker eller dyr. Sprayen må aldri komme i direkte kontakt med huden.
- FLAMMEPUNKT - Denne sprøytepipistolen må

ikke brukes til å spraye brennbar maling eller løsemidler med et flammepunkt under 32 °C.

- VENTILASJON - Sørg alltid for at arbeidsområdet har tilstrekkelig med ventilasjon under sprayingen.
- KURVDYSE - Ha alltid kurvdysen på under bruk.
- TA ARBEIDSMILJØET I BETRAKTNING - Bruk ikke sprøytepipistoler hvis det er fare for brann eller eksplosjon.
- TA ALLE FAREMOMENTER I BETRAKTNING - Vær obs på alle farer i forbindelse med stoffet som sprayes på, og ta hensyn til merkingen på beholderen eller informasjonen fra produsenten.
- IKKE SPRAY - Ikke spray noe stoff man ikke kjenner virkningen av.
- BRUK BESKYTTELSESBRILLER - Bruk alltid beskyttelsesbriller for å holde skadelige damper eller dunster vekk fra øynene.
- BRUK MASKE - Bruk aldri sprøytepipistolen uten ansiktsmaske.
- BRUK HØRSELVERN - Bruk hørselvern hvis støynivået overstiger 85 dB(A).
- VEDLIKEHOLD VERKTØYET - Hold sprøytepipistolen, malingsbeholderen og dysene rene. Ikke rengjør med brennbare væsker med et flammepunkt under 32 °C. Kontroller strømledningen med jevne mellomrom. Hvis denne er skadet, må du få den byttet ut av en kvalifisert person.
- ÅPEN ILD - Spray aldri i nærheten av åpen ild eller en beredskapsflamme.
- RØYKING - Røyking er forbudt under spraying.
- FORTYNNING - Les alltid malingsprodusentens anbefalinger eller instruksjoner før du bruker maling eller andre materialer.
- KOPLE FRA STRØMNETTET - Kople alltid fra strømmettet før du fyller malingsbeholderen eller rengjør sprøytepipistolen.
- SLÅ AV NÅR IKKE I BRUK - Unngå å kjøre enheten når strømningsregulatoren er stengt.



Vi påtar oss intet ansvar for skader som skyldes bruk av uegnede stoffer eller maling som ikke er fortynnet på riktig måte eller for helseskader som oppstår på grunn av utilstrekkelig ventilasjon.

Sprøytepipistolen må straks slås av ved:

- Brudd i støpsel, strømledning eller skader på strømleder.
- Defekt bryter.
- Røyk eller lukt av svidd isolasjon.

Elektrisk sikkerhet

Overhold ved bruk av elektriske maskiner alltid de lokale sikkerhetsforskriftene. Dette for å unngå brannfare, fare for elektrisk støt og personskaade. Les i tillegg til nedenstående instruksjoner også sikkerhetsforskriftene i det vedlagte separate sikkerhetsheftet.



Kontroller alltid om nettspenningen er i overensstemmelse med verdien på typeskiltet.



Class II-maskin – Dobbeltisolert – Krever ikke jordet støpsel.

Skifting av ledninger eller støpsler

Hvis ledningen er skadet, må den erstattes med en spesiell ledning som leveres av fabrikanten eller fabrikantens kundeservice. Kast gamle ledninger eller støpsler med det samme de er skiftet ut med nye. Det er farlig å sette et støpsel med løs ledning i stikkkontakten.

Bruk av skjoteledninger

Bruk utelukkende en godkjent skjoteledning som er egnet til maskinens effekt. Ledningene må ha et tverrsnitt på minst 1,5 mm². Hvis skjoteledningen sitter på en rull, må den rulles helt ut.

3. DRIFTINSTRUKS

Klargjøring

Fig. B



Bruk ikke strukturert veggmaling eller tykk maling da dette vil blokkere dysen.

For å oppnå best mulig resultat er det viktig at du klargjør overflaten som skal behandles og tynne ut malingen til riktig viskositet før du tar i bruk sprøytepipistolen. Påse alltid at overflatene som skal behandles, er fri for støv, skitt og fett. Områdene som ikke skal behandles, bør maskeres med en maskeringstape av god kvalitet. Malingen eller væsken som skal sprayes på, bør være grundig blandet og fri for klumper eller andre

partikler. Mange stoffer kan sprayes med denne sprøytepipetten, men se alltid produsentens anbefalinger før du kjøper malingen.

Tynning



Husk alltid å kople enheten fra strømmettet før du fyller malingsbeholderen.

De fleste malinger leveres klare for påføring med kost og må tynnes ut før de egner seg til spraying. Følg produsentens råd om tynning av malingen når du skal bruke sprøytepipette. Viskositetsskålen vil hjelpe deg å fastsette den riktige viskositeten til malingen som skal brukes. For å fastsette den riktige viskositeten fyller du skålen helt opp med maling. Mål hvor lang tid det tar før alt innholdet renner tilbake i boksen.

Tabellen nedenfor viser anbefalte tider for ulike typer materiale.

Plast- og lateksmaling	44 - 28 sekunder
Vannbaserte malinger	20 - 25 sekunder
Primere	24 - 28 sekunder
Lakk	10 - 25 sekunder
Oljebaserte malinger	18 - 22 sekunder
Emaljelakk	18 - 22 sekunder
Aluminiumsmalinger	22 - 25 sekunder
Understellsbeskyttelse	25 - 35 sekunder
Trelakk	28 - 35 sekunder
Treimpregneringsmidler	Krever ingen uttynning
Trebeis	Krever ingen uttynning

Dersom det tar lengre tid enn anbefalt å tømme malingen, er det nødvendig med ytterligere fortykning. Bland inn en liten mengde tynner og bruk viskositetstesten, helt til du har korrekt tykkelse. Noen spraybare materialer inneholder partikler og klumper. Slike materialer bør siles før du fyller malingsbeholderen.

Sprøyting

Fig. C

Fyll malingsbeholderen med riktig uttynnet og silt maling. Kople sprøytepipetten til strømmettet. Pek sprøytepipetten mot noe skrapmateriale og trykk på avtrekkeren til det kommer maling gjennom dysen. Juster effektkontrollen (2) til du oppnår ønsket mengde. Vri effektkontrollen med klokken (B) for å redusere gjennomstrømmingen og mot klokken (A) for å øke gjennomstrømmingen.

Justering av effektkontrollen vil påvirke sprøytemønsteret. Et dårlig sprøytemønster vil konsentrere malingen i midten av sprayen og gi et flekkete resultat. Et godt sprøytemønster vil gi en jevn fordeling av malingen.

Sprøyteteknikker

Fig. D

For å oppnå best mulig resultat bør du holde sprøytepipetten vannrett og parallell til overflaten som skal behandles. Hold dysen 25 - 30 cm fra overflaten, og spray jevnt fra side til side eller opp og ned. Du må ikke holde sprøytepipetten i en vinkel da det vil føre til at malingen beveger seg på overflaten. Bruk jevne bevegelser. Når du skal spraye store områder, bør du forsøke å følge et kryssmønster slik det er vist nedenfor.

Fig. E

Du må aldri starte eller stoppe sprøytepipetten mens den er rettet mot overflaten som skal behandles. Styr sprøytepipetten med jevn hastighet. Raske bevegelser vil etterlate seg et tynt lag, og trege bevegelser vil etterlate seg et tykt lag. Påfør ett lag om gangen. Hvis det skal påføres flere lag, må du ta hensyn til tørketiden som produsenten anbefaler for neste lag påføres. Når du skal spraye små arealer, bør du sette effektkontrollen på en lav verdi. På denne måten vil du unngå å bruke for mye maling. Hvis det er mulig, bør du unngå å stoppe og starte når du sprøytemaler et objekt. Dette kan føre til at det påføres for lite eller for mye maling. Sprøytepipetten bør ikke tippes over mer enn 45°.

Montere og bruke den fleksible dysen

Fig. F

Den fleksible dyseforlengeren bør brukes til å spraye flate eller horisontale flater. Den bør også brukes på arealer med begrenset tilgang. Når du skal montere den fleksible dysen, skrur du av kurvdysen og fester den fleksible dysen på samme sted. Sett på kurvdysen igjen på enden av den fleksible dysen, og trekk til.

4. VEDLIKEHOLD



Påse at maskinen ikke er strømførende når du utfører vedlikeholdsarbeid på motoren.

Disse maskinene er produsert for å kunne fungere problemfritt med minimalt vedlikehold over lengre tid. Hvis du rengjør maskinen regelmessig og ivaretar den etter forskriftene, vil den vare lenger.

Feilsøking

1. Motoren går, men den sprayer ikke eller sprayer uregelmessig

- Slitt virvelhode.
- Skift virvelhode.
- Oppfangingsrør ikke i riktig posisjon.
- Justér oppfangingsrør på nytt.
- Blokkert oppfangingsrør.
- Rengjør med tynner.
- Blokkert dyse.
- Rengjør dysen.
- Blokkert filter.
- Rengjør med tynner.
- Kontrollbryter må justeres.
- Justér.

2. Forstøvningen er ikke god

- Volumjusteringen er ikke riktig.
- Justér.
- Maling for tykk.
- Sjekk malingsviskositet.

3. Det kommer for mye maling

- Sprøytepipstolen er ikke ren eller er ikke smurt, noe som gjør at stampelet sitter fast i sylindren.
- Demonter sprøytepipstolen og rengjør med tynner.
- For mye maling
- Justér volumet med klokken for å redusere spraymengden. To tynne lag er bedre enn ett tykt.
- For lite viskositet.
- Kontroller viskositeten.

4. Høyere motorstøy enn normalt

- Sprøytepipstolen er ikke ren eller er ikke smurt, noe som gjør at stampelet sitter fast i sylindren.

- Demonter sprøytepipstolen og rengjør med tynner.

5. Ingen spray, ingen lyd

- Ingen strøm.
- Kontroller strømtilførselen.

6. Driftslyd ikke riktig

- Dårlig effektjustering
- Justér på nytt.
- Ikke nok maling i beholderen, noe som gjør at det suges inn luft.
- Fyll etter med maling.
- Malingen fortynnes ikke riktig eller går ikke helt gjennom oppfangingsrøret.
- Sjekk oppfangingsrøret og viskositetsnivået.

7. „Appelsinhud“-spraytåke

- Feil løsemiddel brukes
- Bruk riktig løsemiddel.
- Sprøytepipstol for langt fra overflaten.
- Hold sprøytepipstolen nærmere objektet.
- Maling for tykk
- Tynn ut malingen.

Rengjøring av vedlikehold

Fig. G



Husk alltid å kople enheten fra strømmettet før du rengjør sprøytepipstolen eller malingsbeholderen.

Det er viktig at sprøytepipstolen rengjøres grundig etter hver gang den brukes. Hvis dette ikke gjøres, vil det som regel føre til blokkeringer og funksjonssvikt neste gang den skal brukes. Garantien dekker ikke rengjøring av en sprøytepipstol som ikke er tilstrekkelig rengjort av brukeren. Følgende må gjøres etter hver gang sprøytepipstolen brukes:

- Tøm eventuelle rester fra beholderen.
- Rengjør beholderen grundig med tynneren som ble brukt.
- Tøm litt tynner i beholderen, og spray gjennom sprøytepipstolen helt til det bare kommer tynner gjennom dysen.
- Rengjør oppfangingsrøret og filteret med tynner.
- Rengjør kurven og dysen og fjern eventuelle rester.
- Snu sprøytepipstolen opp ned, og påfør noen dråper lettolje i de to hullene (F). Dette vil

smøre stampelet og sylindren.

Hvis sprøytepipstolen skulle kreve ytterligere innvendig rengjøring, kan det bli nødvendig å demontere den. I så fall bør du gjøre følgende:

- Dra støpselet ut av stikkkontakten.
- Ta av malingsbeholderen, oppfangingsrøret og filteret.
- Ta av pumpeenheten.
- Ta ut dysen (H), ventilen (J), stampelet (K) og fjæren (L).
- Rengjør sylindren (M) og alle deler grundig med løsemiddel.
- Påfør noen dråper lettolje på stampelet, fjæren og sylindren.
- Sett sammen sprøytepipstolen igjen.

Smøring

Maskinen trenger ingen ekstra smøring.

Feil

Hvis det f.eks. skulle opptre en feil etter at en del er blitt slitt, må du ta kontakt med serviceadressen som står på garantikortet. Bak i denne brosjyren står en utførlig oversikt over deler som kan bestilles.

MILJØ

For å forhindre transportskader leveres maskinen med solid emballasje. Emballasjen består for det meste av gjenvinnbart materiale. Lever derfor emballasjen til gjenvinning.



Defekte og/eller kasserte elektriske eller elektroniske apparater må avhendes ved egnede returpunkter.

Gjelder kun i EU-landene.

Elektriske verktøy må ikke kastes sammen med husholdningsavfall. I henhold til EU-direktiv 2012/19/EU for elektrisk og elektronisk avfall, samt implementering av direktivet i nasjonal lovgivning, skal elektriske verktøy som ikke lenger kan brukes kastes separat og på en miljøvennlig måte.

GARANTI

Les garantibetingelsene på det vedlagte garantikortet.

Dette produktet og brukerhåndboken kan bli endret. Spesifikasjoner kan endres uten forvarsel.

ELEKTRISK SPRØJTEPISTOL SGM1012

Tak for, at du har købt dette Ferm produkt. Ved at gøre dette står du nu med et fantastisk produkt, leveret af en af Europas førende leverandører. Alle de produkter, som leveres til dig af Ferm, er fremstillet i overensstemmelse med de højeste standarder inden for præstation og sikkerhed. Som en del af vores filosofi tilbyder vi en fremragende kundeservice, som bakkes op af vores omfattende garanti. Vi håber, at du vil bruge dette produkt med glæde i mange år fremover.

Numrene i den nedenstående tekst henviser til illustrationerne på side 2-3



Læs denne brugsanvisning nøje igennem, før maskinen tages i brug. Gør dig fortrolig med funktionerne og betjeningen. Maskinen skal vedligeholdes i overensstemmelse med anvisninger, så maskinen altid fungerer problemfrit. Brugsanvisningen og dertilhørende dokumentation skal opbevares i nærheden af maskinen.

Indhold

1. Tekniske specifikationer
2. Sikkerhedsforskrifter
3. Vejledning om brugen
4. Vedligeholdelse

1. TEKNISKE SPECIFIKATIONER

Spænding	220-240 V~
Frekvens	50 Hz
Forbrug	110 W
Maksimal kapacitet dyse	300 ml/min
Indhold beholder	800 ml
Diameter dyse	0,8 mm
Vægt	1,75 kg
Lpa (kapacitet lydtryk)	91 dB(A)
Lwa (niveau lydstyrke)	102 dB(A)
Vibrationsværdi	11,53 m/s ²

Kontroller maskinen, løse dele og tilbehør for transportskader.

Vibrationsniveau

Det vibrationsniveau, der er anført bag på denne betjeningsvejledning er målt i henhold til den

standardiserede test som anført i EN 60745; den kan benyttes til at sammenligne to stykker værktøj og som en foreløbig bedømmelse af udsættelsen for vibrationer, når værktøjet anvendes til de nævnte formål

- anvendes værktøjet til andre formål eller med andet eller dårligt vedligeholdt tilbehør, kan dette øge udsættelsesniveauet betydeligt
- de tidsrum, hvor værktøjet er slukket, eller hvor det kører uden reelt at udføre noget arbejde, kan reducere udsættelsesniveauet betydeligt

Beskyt dig selv imod virkningerne af vibrationer ved at vedligeholde værktøjet og dets tilbehør, ved at holde dine hænder varme og ved at organisere dine arbejdsmønstre

Produktinformation

Fig. A

1. Motorhus
2. Reguleringsknap for sprøjtemængden
3. Start / stop
4. Håndtag
5. Malerbeholder
6. Sprøjtekurv dyse
7. Viskositetsbæger

2. SIKKERHEDSFORSKRIFTER

Beskrivelse af symboler



Betegnelse for risiko for personskader, dødsfald eller beskadigelse af værktøjet i tilfælde af at du er uopmærksom på instruktioner i denne manual.



Indikerer farer for elektrisk stød.



Bær beskyttelsehandsker.



Når maskinen bruges, skal man bære støvmaske. Når der saves træ, metal og andre materialer kan der frigøres stoffer, som er sundhedsskadelige. Vær opmærksom på, at der ikke må saves materialer, der indeholder asbest.



Brug sikkerhedsbriller.

Særlige sikkerhedsregler

- **SPRØJT ALDRIG PÅ PERSONER**- Ret aldrig dysen mod en anden person eller et dyr. Lad aldrig sprøjtevæsken komme i direkte berøring med huden.
- **ANTÆNDELSESTEMPERATUR** - Denne sprøjtepipistol må ikke bruges til at sprøjte brændbar maling eller opløsningsmidler med en antændelsestemperatur på mindre end 32 °C.
- **VENTILATION** - Sørg altid for at der er tilstrækkelig ventilation i det område, hvor der bliver sprøjtet.
- **DYSEKURV** - Hold altid dysekurven på plads mens der sprøjtes.
- **TAG HENSYN TIL ARBEJDSOMGIVELSSERNE** - Brug ikke sprøjtepipistolen hvor der er risiko for brand eller eksplosion.
- **VÆR OPMÆRKSOM PÅ FARE** - Vær opmærksom på enhver risiko der kan være forbundet med det materiale der sprøjtes, og rådfør Dem med oplysningerne på forpakningen eller den information, der er leveret med fra fabrikanten.
- **SPRØJT IKKE** - Sprøjt ikke med noget materiale, hvor risikoerne ikke er bekendt.
- **BRUG ØJENBESKYTTELSE** - Brug altid passende øjenbeskyttelse for at holde skadelige dampe borte fra øjnene.
- **BÆR EN MASKE** - brug aldrig en sprøjtepipistol uden at De bærer en sikkerhedsmaske.
- **BESKYT DERES ØRER** - Bær høreværn hvis lydtrykker kommer over 85dB(A).
- **HOLD DERES REDSKABER VEDLIG** - Hold Deres sprøjtepipistol, malerbeholder og dyser rene. Rens dem ikke med brændbare væsker demed en antændelsestemperatur på mindre end 32 °C. Undersøg periodisk strømtilførslen og lad den udskifte af en fagkyndig person i tilfælde af at den er beskadiget.
- **ÅBEN ILD** - Sprøjt aldrig i nærheden af åben ild eller antændingsflamme.
- **RYGNING** - Ryg aldrig under sprøjtningen.
- **FORTYNDER** - Læs altid malerfabrikantens forslag eller anvisninger om fortynding før brugen af maling eller andre materialer.
- **SLÅ STRØMMEN FRA** - Slå altid strømmen fra når De fylder malerbeholderen eller rengør sprøjtepipistolen.
- **SLUK PISTOLEN NÅR DEN IKKE ER I BRUG**

- Undgå at lade pistolen være sat til at køre med reguleringsknappen for sprøjtemængden fuldstændigt lukket i kortere eller længere tid.



Vi påtager os intet ansvar for skade forårsaget af brug af materialer, der ikke var egnede til sprøjtepipistolen, eller maling der ikke har været tyndet korrekt, eller nogen som helst helbredsskader, der er opstået som et resultat af for dårlig ventilation.

Sluk sprøjtepipistolen omgående i tilfælde af:

- Uregelmæssigheder i stikket til den strømførende ledning, og den strømførende ledning selv, eller skader på den strømførende ledning
- Defekt afbryder
- Røg eller lugt af brændt isolationsmateriale.

Elektrisk sikkerhed

Ved anvendelse af elektriske maskiner skal man altid følge de lokalt gældende sikkerhedsforskrifter i forbindelse med brandfare, fare for elektrisk stød og legemensbeskadigelse. Læs udover de neden-stående instruktioner også sikkerhedsforskrifterne i den separat vedlagte sikkerhedsfolder.



Kontroller altid om netspændingen svarer til værdien på typeskiltet.



Klasse II maskine – Dobbelt isolering – Du behøver ingen jordforbindelsestik.

Udskiftning af ledninger eller stik

Hvis netledningen er blevet beskadiget, skal den udskiftes med en speciel netledning, som kan fås via fabrikanten eller fabrikantens kundeservice. Gamle ledninger og stik skal kasseres, når de er blevet udskiftet med nye. Det er farligt at sætte stikket på en løs ledning i en stikkontakt.

Ved brug af forlængerledninger

Brug udelukkende godkendte forlængerledninger, der er beregnede til maskinens effekt. Lederne skal have et gennemsnit på mindst 1,5 mm². Hvis forlængerledningen sidder på en tromle, rulles ledningen helt af.

3. VEJLEDNING OM BRUGEN

Forberedelse

Fig. B



Brug ikke struktur vægmaling eller -dækfarve da dette vil tilstoppe dysen.

For at opnå de bedste resultater er det vigtigt at De præparerer den overflade der skal sprøjtes og fortynder malingen til den har den rette viskositet. Før De går i gang med sprøjtepistolen. Sørg altid for at den overflade, der skal sprøjtes, er fri for støv, snavs og fedt. Sørg for at afdække de områder, der ikke skal sprøjtes, med en god afdækningstape. Den maling, der skal sprøjtes, skal være fuldstændigt blandet og være fri for klumper og andre partikler. Mange flydende masser kan sprøjtes med Deres sprøjtepistol, med undersøg altid fabrikantens anbefalinger, før De køber maling.

Fortynding



Husk altid at afbryde strømforbindelsen før De fylder malerbeholderen med det materiale der skal sprøjtes.

De fleste malinger bliver leverede klar til at stryges på med pensel og skal derfor fortyndes før de er egnede til sprøjtning. Følg fabrikantens anvisninger for fortynding af malingen til brug i en sprøjtepistol. Viskositetsbægeret vil være en hjælp til at afgøre den rette viskositet af den maling, der skal bruges. For at måle viskositeten skal De fylde bægeret til randen med maling. Tag tid på hvor, lang tid det tager for al malingen at løbe tilbage ned i dåsen.

Tabellen herunder viser den anbefalede tid for forskellige typer af materialer.

Plastik- / latexmaling	24 - 28 sekunder
Vandbaseret maling	20 - 25 sekunder
Grundmaling	24 - 25 sekunder
Fernis	20 - 25 sekunder
Oliebaseret maling	18 - 22 sekunder
Lak / emaljer	18 - 22 sekunder
Aluminium maling	22 - 25 sekunder
Grunder til biler	25 - 35 sekunder
Grunder til træ	28 - 35 sekunder
Træimpregnering	Ingen fortynding påkrævet
Træbejdse	Ingen fortynding påkrævet

Hvis det tager malingen længere en den anbefalede tid at løbe tilbage i dåsen, skal den fortyndes yderligere. Bland en lille mængde med den passende fortynder og brug viskositetsprøven indtil den rette viskositet er opnået. Nogen materialer, der er egnede til sprøjtning, indeholder partikler og klumper. Disse materialer skal filtreres før de bliver fyldt på malerbeholderen.

Spøjtning

Fig. C

Fyld malerbeholderen med den korrekt fortyndede og filtrerede maling. Sæt sprøjtepistolens strømforsyning til. Ret sprøjtepistolen mod en rest af materiale og tryk på startknappen indtil malingen begynder at sprøjte ud. Justér sprøjtemængden (2) indtil strålen får den ønskede fylde af maling. Drej reguleringsknappen for sprøjtemængden mod højre (B) for at reducere mængden og mod venstre (A) for at øge mængden af maling. Indstillingen af sprøjtemængden vil have indflydelse på sprøjtemønstret.

Et dårligt sprøjtemønster vil koncentrere malingen i midten af strålen og gøre det færdige resultat skjoldet. Et godt sprøjtemønster vil give en jævn fordeling af maling i hele mønstret.

Sprøjtetekniker

Fig. D

For at opnå de bedste resultater, skal De holde sprøjtepistolen ret og parallel med overfladen hele tiden. Hold dysen 25 - 30 cm fra overfladen og sprøjt jævnt fra side til side og op og ned. Sprøjt ikke fra en skrå vinkel, da dette vil få malingen til at løbe på overfladen. Brug bløde og jævne bevægelser. Når der sprøjtes større områder, er det bedst at arbejde på kryds og tværs som vist på tegningen.

Fig. E

Start og stop aldrig sprøjtepistolen mens De retter den mod den overflade der skal sprøjtes. Bevæg sprøjtepistolen med en jævn kontrolleret hastighed. Hurtige bevægelser vil give et tyndt lag maling mens langsomme bevægelser vil give et tykt lag maling. Påfør et lag maling ad gangen. Hvis det er nødvendigt med endnu et lag, vær da opmærksom på fabrikantens anbefalede tørretid, før De påfører det andet lag maling. Når

der sprøjtes små områder, skal sprøjtemængden holdes på en lav indstilling. På denne måde vil man undgå bruge for meget maling og forekomme oversprøjtning. Hvor det er muligt, undgå at starte og stoppe mens der sprøjtes på en genstand. Det kan føre til at der sprøjtes for meget eller ikke nok maling på genstanden. Vip ikke sprøjtepistolen mere end 45°.

På sætning og brug af den fleksible dyse

Fig. F

Den fleksible forlængerdyse kan bruges til at sprøjte flade og vandrette overflader. Den kan også bruges på steder der er vanskeligt tilgængelige. For at montere den fleksible dyse skal De skrue dysekurven af og sætte den fleksible dyse på i stedet for. Sæt dysekurven på på enden af den fleksible dyse og gør den fast.

4. VEDLIGEHOLDELSE



Afbryd altid strømforsyningen til redskabet i forbindelse med vedligeholdelsesaktiviteter på motoren.

Disse maskiner er fremstillet til at fungere problemfrit i lang tid og med minimal vedligeholdelse. Levetiden kan forlænges, hvis maskinen rengøres regelmæssigt og håndteres korrekt.

Hjælp

1. Motoren summer men sprøjter ujævnt eller slet ikke

- Slidt svirvelhoved
 - Skift svirvelhovedet ud.
- Opsugningsrøret sidder ikke i den rette position.
 - Sæt opsugningsrøret på plads.
- Tilstoppet opsugningsrør.
 - Rengør med fortynder.
- Tilstoppet dyse.
 - Rengør dysen.
- Tilstoppet filter.
 - Rens med fortynder.
- Reguleringsknap trænger til justering.
 - Justér den.

2. Forstøvning er ikke godt

- Mængdereguleringen er ikke korrekt.
 - Justér den.
- Malingen er for tyk.
 - Undersøg malingens viskositet.

3. For meget maling

- Sprøjtepistolen er ikke ren, eller ikke smurt med det resultat at stemplet sidder fast i cylinderen.
 - Skil sprøjtepistolen ad og rens med fortynder.
- For meget maling.
 - Justér mængden ved at dreje mod højre for at reducere sprøjtemængden. To tynde lag er bedre end et tykt lag.
- Viskositeten er for lille.
 - Undersøg viskositeten.

4. Motoren støjer mere end normalt

- Sprøjtepistolen er ikke ren, eller ikke smurt med det resultat at stemplet sidder fast i cylinderen.
 - Skil sprøjtepistolen ad og rens med fortynder.

5. Ingen sprøjtning og ingen lyd

- Ingen elektricitet.
 - Undersøg strømforsyningen.

6. Arbejdsstøj lyder ikke rigtig

- Dårlig indstilling af sprøjtemængde.
 - Indstil igen.
- Ikke nok maling i beholderen hvilket resulterer i at luft bliver suget ind.
 - Fyld beholderen op igen.
- Malingen ikke fortyndet korrekt eller kommer ikke helt igennem opsugningsrøret.
 - Undersøg opsugningsrøret og viskositetsniveauet.

7. Overvældende tågedannelse

- Der er brugt forkert fortynder.
 - Brug den rette fortynder.
- Sprøjtepistolen bliver holdt for langt fra overfladen.
 - Hold sprøjtepistolen tættere på de sprøjtede objekt.

Rengøring af vedligehold

Fig. G



Husk altid at slå strømmen fra før rengøringen af sprøjtepistolen og malerbeholderen.

Det er vigtigt at sprøjtepistolen bliver rengjort grundigt efter hver gang den har været i brug. Sker det ikke vil det med næsten med sikkerhed resultere i tilstopning og den vil ikke fungere næste gang De vil at bruge den! Garantien dækker ikke rengøring af en sprøjtepistol der ikke har været ordentligt rengjort af brugeren. De følgende handlinger skal udføres hver gang lige efter brugen:

- Tøm beholderen for al tiloversbleven materiale
- Rengør beholderen grundigt med den fortynder der blev brugt.
- Hæld noget fortynder i beholderen og sprøjt grundigt indtil kun ren fortynder kommer ud af dysen.
- Rengør røret til opslugningen af maling og filteret grundigt med fortynder.
- Rengør kurven og dysen og fjern malingen eller anden urenhed der stadig måtte være.
- Vend sprøjtepistolen på hovedet og dryp nogle få dråber let olie i de to huller (F). Det vil smøre stemplet og cylinderen.

Hvis Deres sprøjtepistol skulle kræve ekstra indvendig rengøring kan det blive nødvendigt at skille den ad. Hvis det er tilfældet skal De gå frem som beskrevet herunder:

- Fjern stikket fra strømforsyningen
- Fjern malerbeholderen, opslugningsrøret og filter.
- Tag den samlede pumpe af.
- Skil dysen (H), ventil(J), stempel(K), og fjeder(L).
- Rens cylinderen (M) og alle dele grundigt med et opløsningsmiddel.
- Dryp nogle få dråber let smøreolie på stempel, fjeder og cylinder.
- Saml sprøjtepistolen igen.

Smøring

Maskinen behøver ingen ekstra smøring.

Fejl

Skulle en fejl opstå, f.eks. pga. slidtage af en enhed, kontakt venligst serviceadressen på

garantibeviset. På bagsiden af denne manual finder du en tegning med alle dele, der kan bestilles.

MILJØ

For at undgå transportbeskadigelse leveres maskinen i en solid emballage. Emballagen er så vidt muligt lavet af genbrugsmateriale. Genbrug derfor emballagen.



Defekte og/eller kasserede elektriske eller elektroniske maskiner skal afleveres på en genbrugsplads.

Kun for EU-lande

Smid ikke el-værktøjer ud sammen med almindeligt affald. I henhold til de europæiske direktiver 2012/19/EU for elektrisk og elektronisk udstyr og er implementeret i henhold til nationale rettigheder, el-værktøj som ikke længere er anvendelig skal indsamles separat og genbruges på en miljøvenlig måde.

GARANTI

Læs det separat vedlagte garantikort for garantibetingelserne.

Produktet og brugermanualen kan ændres. Specifikationerne kan ændres uden forudgående varsel.

ELEKTROMOS SZÓRÓPISZTOLY SGM1012

Köszönjük, hogy ezen Ferm terméket választotta. Európa egyik vezető beszállítójának, kiváló termékét tartja a kezében.

A Ferm által szállított termékek a legmagasabb teljesítményi és biztonsági szabványok alapján kerülnek legyártásra. Filozófiánk részeként kiváló ügyfélszolgálatot, továbbá átfogó garanciát kínálunk termékeinkhez.

Reméljük, az elkövetkezendő években örömmel fogja használni a készüléket.

A szövegben levő számok a 2-3 oldalakon levő ábrákra vonatkoznak.



A készülék használatba vétele előtt figyelmesen olvassa el a használati utasítást. Ismerkedjen meg a készülék funkcióival és a készülék kezelésével. A készülék akkor fog megfelelően működni, ha azt a használati utasítás előírásai szerint használja. A használati utasítást és az egyéb dokumentációkat a készülékkel együtt tárolja.

Tartalom

1. Műszaki specifikációk
2. Biztonsági utasítások
3. Használati utasítás
4. Karbantartás

1. MŰSZAKI SPECIFIKÁCIÓK

Feszültség	220-240 V~
Frekvencia	50 Hz
Bemeno teljesítmény	110 W
A szórófej max. áramlási sebessége	300 ml/perc
Tartály térfogata	800 ml
Szórófej átméroe	0,8 mm
Tömeg	1,75 kg
Lpa (hangnyomás kapacitás)	91 db(A)
Lwa (hang teljesítményszint)	102 db(A)
Rezgésérték	11,53 m/s ²

Ellenőrizze a gépet, tartozékait és kiegészítőit hogy a szállítás közben nem sérültek-e meg.

Rezgésszint

Az ezen felhasználói kézikönyv végén megadott rezgés-kibocsátási szint mérése az EN 60745

szabványban meghatározott szabványosított teszttel összhangban történt; ez egy eszköznek egy másik eszközzel történő összehasonlítására, illetve a rezgésnek való kitettség előzetes felmérésére használható fel az eszköznek az említett alkalmazásokra történő felhasználása során

- az eszköznek eltérő alkalmazásokra, vagy eltérő, illetve rosszul karbantartott tartozékokkal történő felhasználása jelentősen emelheti a kitétség szintjét
- az idő, amikor az eszköz ki van kapcsolva, vagy amikor ugyan működik, de ténylegesen nem végez munkát, jelentősen csökkentheti a kitétség szintjét

Az eszköz és tartozékai karbantartásával, kezének melegen tartásával, és munkavégzésének megszervezésével védje meg magát a rezgések hatásaitól

Termék információ

A. Ábra

1. Motorburkolat
2. Teljesítményszabályozó
3. Indító gomb
4. Markolat
5. Festéktartály
6. Kosaras szórófej
7. Viszkozitásmérő csésze

2. BIZTONSÁGI UTASÍTÁSOK

A jelölések magyarázatai



A jelen használati utasításban leírtak be nem tartása esetén sérülés, életvesztély, és gépsérülés következhet be.



Áramütés veszélye.



Használjon védőkesztyűt.



Viseljen porálarcot. A fával, fémekkel és egyéb anyagokkal történő munkavégzés során az egészségre káros por keletkezik. Azbeszttartalmú anyaggal ne dolgozzon!



Viseljen védőemüveget.

Kiegészítő biztonsági utasítások

- SOHA NE SZÓRJON EMBEREKRE - Soha ne irányítsa a szórófejet emberre vagy állatra. Soha ne hagyja, hogy a permet közvetlenül a bőrre kerüljön.
- GYULLADÁSPONT - Ezt a szórópisztolyt tilos gyúlékony anyagok szórására, vagy 32 °C alatti gyulladáspontú oldószerekkel használni.
- SZELLŐZÉS - A munka megkezdése előtt mindig ellenőrizze, hogy a munka helyszíne megfelelően szellőzik-e.
- KOSARAS SZÓRÓFEJ - A kosaras szórófejnek mindig a helyén kell lennie munka közben.
- VEGYE FIGYELEMBE A MUNKA HELYSZÍNÉNEK KÖRNYEZETÉT - Ne használja a szórópisztolyt tűz-, vagy robbanásveszélyes helyen.
- TÁJÉKOZÓDJON A KOCKÁZATOKRÓL - Tájékozódjon a szórni kívánt anyag okozta kockázatokról és olvassa el az anyag dobozán látható vagy a gyártó által mellékelte információkat.
- NE KOCKÁZTASSON - Ne használjon olyan anyagokat, amelyek veszélyeit nem ismeri.
- VISELJEN VÉDŐSZEMÜVEGET - Mindig használjon védőszemüveget, hogy elkerülje az ártalmas anyagok gőzeinek szembe jutását.
- VISELJEN VÉDŐMASZKOT - Soha ne használjon szórópisztolyt védőmaszk nélkül.
- VÉDJE A HALLÁSÁT - Használjon hallásvédőt, ha a hangnyomás meghaladja a 85 dB-t (A).
- TARTSA KARBAN SZERSZÁMAIT - Tartsa tisztán a szórópisztolyt, a festéktartályt és a szórófejeket. Ne használjon 32 °C-nál alacsonyabb gyulladáspontú, gyúlékony folyadékokat a tisztításhoz. Időnként ellenőrizze a hálózati vezetékét, és ha megsérült, cseréltesse ki képzett szakemberrel.
- NYÍLT LÁNG - Soha ne használja a készüléket nyílt láng vagy őr láng közelében.
- DOHÁNYZÁS - Soha ne dohányozzon szórás közben.
- HÍGÍTÁS - Mindig olvassa el a festégyártó hígítási utasításait vagy javaslatait festékek vagy más anyagok használata előtt.
- HÚZZA KI A HÁLÓZATI KONNEKTORBÓL - Mindig húzza ki a készüléket a hálózati konnektorból mikor a festéktartályt tölti vagy a szórópisztolyt tisztítja.
- KAPCSOLJA KI, HA NEM SZÓR FESTÉKET - Egyáltalán ne használja a készüléket teljesen

zárt teljesítményszabályozóval.



Nem vállalunk felelősséget nem megfelelő anyagok vagy nem megfelelően hígított festékek okozta károkért, sem a nem megfelelő szellőzés okozta egészségkárosodásért.

Azzonnal kapcsolja kikapcsoló gombot, ha:

- Zavar keletkezik a hálózati csatlakozóban, a hálózati vezetékben vagy, ha a hálózati vezeték megsérül.
- A kapcsoló meghibásodik.
- Füstöt vagy égett szagot érez.

Elektromos biztonság

Villamos gépek használatakor a tűzveszély illetve a személyi sérülések és az áramütés veszélyének elkerülése érdekében mindig pontosan tartsa be az országában érvényben lévő biztonsági rendszabályokat! Figyelmesen olvassa el az alábbiakban felsorolt illetve a kézikönyvhöz csatolt biztonsági utasításokat!



Mindig ellenőrizze, hogy a gépre kapcsolt áram feszültsége megegyezik-e a géptörzslapon feltüntetett adattal!



II. osztályú gép – kettős szigetelésű – földelés nélküli konnektorhoz csatlakoztatható.

A vezetékek és a dugaszok cseréje

A lecserélt vezetékeket és dugaszokat azonnal dobja el! Nem csatlakoztatható illetve nem szigetelt végű vezeték dugaszát fali konnektorba dugni rendkívül veszélyes!

Hosszabbítószinór használata

Kizárólag jóváhagyott és a gép bemenőteljesítményének megfelelő hosszabbítószinórt használjon! A minimális vezeték méret 1,5 mm². Amennyiben kábeldobot használ, mindig teljesen tekerje le.

3. HASZNÁLATI UTASÍTÁS

Előkészületek

B. Ábra



Ne használjon textíliutánzatú fali festéket vagy bevonatot, mert az eltömi a szórófejet.

Fontos, hogy előkészítse a festendő felületet és a festéket a megfelelő viszkozításra hígítsa, mielőtt megkezdene a szórópisztoly használatát, mert így érheti el a legjobb eredményeket. Mindig gondoskodjék, hogy a festendő felületek por-, kosz- és zsírmentesek legyenek. Azokat a felületeket, melyeket nem kíván festeni, fedje le jó minőségű nyvezett fedőpapírral. A szórópisztolyba kerülő festéket vagy folyadékot alaposan el kell keverni, és nem szabad csomókat vagy más szemcséket tartalmaznia. Sokféle anyagot lehet az Ön szórópisztolyával használni, de mindig ellenőrizze a gyártó javaslatait a festék megvétele előtt.

Hígítás



Mindig húzza ki a készüléket a hálózathál, mielőtt a festéktartályt megtöltené a szórható anyaggal.

A legtöbb festéket ecsettel történő használatnak megfelelő formában árulják, így ezeket fel kell hígítani a szórópisztollyal történő használatához. Kövesse a gyártó szórópisztolyos használatra vonatkozó utasításait. A viszkozitásmérő csésze segítségével meghatározhatja a festék megfelelő viszkozitását. A helyes viszkozitás meghatározásához töltsen meg színültig a csészét. Mérje meg, mennyi idő alatt folyik vissza a festék a dobozába. Az alábbi táblázat különböző anyagok ajánlott értékeit mutatja:

Plasztik- és latexfesték	24-28 másodperc
Vízbázisú festék	20-25 másodperc
Alapozó	24-28 másodperc
Lakk	20-25 másodperc
Olajfesték	18-22 másodperc
Zománcfesték	18-22 másodperc
Alumínium festék	22-25 másodperc
Alvázfesték	25-35 másodperc
Fa alapozófesték	28-35 másodperc
Fakonzerváló szer	Nem kell hígítani
Fapác	Nem kell hígítani

Ha a festék a megadott időnél lassabban folyik le, további hígításra van szükség. Keverjen egy keveset a festékhez a megadott hígítóból, és használja a viszkozitás tesztet a megfelelő viszkozitás eléréséig. Egyes szórható anyagok szemcséket vagy csomókat tartalmaznak. Ezeket az anyagokat meg kell szűrni, mielőtt a festéktartályba töltené őket.

Szórás

C. Ábra

Töltsen meg a festéktartályt a megfelelően felhígított és megsűrített festékkel. Csatlakoztassa a szórópisztolyt a hálózati áramforráshoz. Irányítsa a szórópisztolyt egy darab hulladék anyagra, és nyomja le az indító gombot, amíg a festék szórása megkezdődik. Állítsa be a teljesítményszabályozóval (2) a szórt festékmennyiségét. Csavarja az óramutató járásával megegyező (B) irányba a teljesítményszabályozót a festékáramlás csökkentéséhez, és az óramutató járásával ellenkező irányba (A) a festékáramlás növeléséhez. A teljesítményszabályozó beállítása befolyásolja a szórás mintát. A gyenge szórás minta a szórás tartomány közepére irányítja a festék nagy részét és ez foltokat eredményez. A jó szórás minta egyenletes festékeloszlást eredményez az egész szórás tartományban.

Szórásitechnikák

D. Ábra

Az optimális eredmény érdekében tartsa a szórópisztolyt egy szintben és mindig párhuzamosan a felülettel mozgassa. Tartsa a szórófejet 25-30 cm-re a felülettől és szórjon egyenletesen, oldalirányban, vagy felülről lefelé. Ne szórjon ferdén, mert ez festékcsoport eredményez a felszínen. Lágú és egyenletes vonásokkal haladjon. Nagyobb felületeken használjon kereszteződő mintát, amint az az ábrán látható.

E. Ábra

Soha ne állítsa le vagy indítsa el a szórópisztolyt, miközben az a festeni kívánt felületre irányul. A szórópisztolyt egyenletes sebességgel mozgassa. A gyors mozgás vékony réteget eredményez, míg a lassú mozgás vastag réteget. Egy alkalommal csak egy réteget vigyen fel. Ha további rétegekre van szükség, vegye

figyelembe a festék gyártójának a száradási időre vonatkozó utasításait, mielőtt a következő réteget felvinné. Kis felületek festése során állítsa a teljesítményszabályozót alacsony értékre. Így nem használ túl sok festéket, és nem festi túl a felületet. Ha lehetséges, ne állítsa le vagy indítsa el a szórópisztolyt egy tárgy festése közben, ugyanis ez túl sok, vagy túl kevés festékfelviteléhez vezethet. Ne tartsa 45°-nál nagyobb szögben a szórópisztolyt.

A hajlékony szórófejfelszerelése ésszalmazása

F. Ábra

A hajlékony szórófej toldalékot lapos vagy vízszintes felületek festése során kell alkalmazni. Nehezen elérhető helyeken is alkalmazható. A hajlékony szórófej felszereléséhez csavarja le a kosaras szórófejet és csatlakoztassa a hajlékony szórófejet annak helyére. Helyezze a kosaras szórófejet a hajlékony toldalék végére és rögzítse azt.

4. KARBANTARTÁS



Ügyeljen, hogy a motor karbantartása során a fúró mindig le legyen választva az elektromos hálózatról.

A készüléket úgy terveztük és gyártottuk le, hogy az nem igényel különösebb szervizelést a használata folyamán. A fúrógép élettartamának meghosszabbítása érdekében bányon a készülékkel az előírások szerint, továbbá azt folyamatosan tisztítsa meg.

Problémamegoldás

1. A motor bűg, de a készülék nem szór vagy egyenetlen a szórás

- Elhasználódott keverőfej.
- *Cserélje ki a keverőfejet.*
- A felszívócső hibás helyzetben van.
- *Igazítsa meg a felszívócsövet.*
- Eltömődött felszívócső.
- *Tisztítsa meg hígítóval.*
- Eltömődött szórófej.
- *Tisztítsa meg a szórófejet.*
- Eltömődött szűrő.
- *Tisztítsa meg hígítóval.*
- A teljesítményszabályozót be kell állítani.
- *Állítsa be.*

2. A porlasztás nem megfelelő

- Helytelen teljesítmény beállítás
- *Állítsa be.*
- A festék túl sűrű.
- *Ellenőrizze a festék viszkozitását.*

3. Túl sok festék jön

- A szórópisztoly nem tiszta, vagy nincs megolajozva, ezért a dugattyú beragad a hengerbe.
- *Szerelje szét a szórópisztolyt és tisztítsa meg hígítóval.*
- Túl sok festék
- *Csavarja a teljesítményszabályozót az óramutató járásával megegyező irányba, a szórás csökkentéséhez. Két vékony réteg jobb, mint egy vastag.*
- A festék túl híg
- *Ellenőrizze a viszkozitást.*

4. A motor a megszokottnál hangosabb

- A szórópisztoly nem tiszta, vagy nincs megolajozva, ezért a dugattyú beragad a hengerbe.
- *Szerelje szét a szórópisztolyt és tisztítsa meg hígítóval.*

5. Nincs se szórás, se hang

- Nincs áram.
- *Ellenőrizze az áramforrást.*

6. Működés hangja eltér a megszokottól

- Rossz teljesítmény beállítás.
- *Állítsa be újra.*
- Kevés festék van a tartályban, így levegőt is beszív a készülék.
- *Töltse fel festékkel.*
- Nem megfelelő hígítás, vagy dugulás a felszívócsőben.
- *Ellenőrizze a felszívócsövet és a viszkozitást.*

7. „Orange Skin“ túlzott ködképződés

- Nem megfelelő hígítót használ.
- *Használja a megfelelő hígítót.*
- A szórópisztoly túl távol van a felülettől.
- *Tartsa közelebb a felülethez.*
- A festék túl sűrű.
- *Hígítsa fel a festéket.*

Tisztítás és karbantartás

G. Ábra



Mindig húzza ki a készüléket a hálózathoz, mielőtt hozzálátna a festéktartály vagy a szórópisztoly tisztításához.

Nagyon fontos, hogy minden használat után alaposan megtisztítsa a szórópisztolyt. A tisztítás elmaradása majdnem biztosan eltömődéshez vezet, és előfordulhat, hogy a készülék nem működik, mikor legközelebb használni szeretné! A garancia nem vonatkozik a szórópisztoly tisztításra, ha a felhasználó azt nem tisztította ki megfelelően. Az alábbi lépéseket kell végrehajtani minden használat után:

- Távolítsa el a maradékot a tartályból.
- Tisztítsa ki alaposan a tartályt a festés során használt hígítóval.
- Öntsön hígítót a tartályba és működtesse a festékszórót addig, amíg csak tiszta hígító jön a szórófejből.
- Alaposan tisztítsa meg a festékfelszívó csövet és a szűrőt hígítóval.
- Tisztítsa meg a kosarat és a szórófejet, és távolítsa el minden egyéb maradék festéket és szennyeződést.
- Fordítsa meg a szórópisztolyt és cseppentsen pár csepp könnyűolajat a két nyílásba (F). Így sikosítja a dugattyút és a hengert.

Ha a szórópisztolyt esetleg belül is meg kell tisztítani, akkor szükséges lehet szétszerelni. Ebben az esetben kövesse az alábbi lépéseket:

- Húzza ki a csatlakozódugót a hálózati konnektorból.
- Távolítsa el a festéktartályt, a felszívó csövet és a szűrőt.
- Vegye ki a szivattyúegységet.
- Szerelje szét a szórófejet (H), szelepet (J), dugattyút (K) és a rugót (L).
- Tisztítsa meg a hengert (M) és az összes alkatrészt hígítóval.
- Olajozza meg pár csepp könnyű kenőolajjal a dugattyút, a rugót és a hengert.
- Szerelje össze a szórópisztolyt.

Kenés

A készülék nem igényel semmilyen kenést sem.

Meghibásodások

Amennyiben a készülék nem működik megfelelően, vagy annak valamely alkatrésze jelentős mértékben elkopott, akkor a gépet vigye a garancialevélben feltüntetett valamelyik márkaszervizbe. A használati utasítás végén található alkatrészeket meg lehet rendelni a géphez.

KÖRNYEZETVÉDELEM

A fúrógépet szállítás és tárolás közben a géphez tartozékként adott szerszámkofferben lehet tartani. A készülék csomagolóanyagának nagy része újrafeldolgozható anyagból készült. Ezeket az anyagokat az újrafeldolgozást biztosító hulladékgyűjtő helyeken kell leadni.



A meghibásodott vagy használhatatlanná vált elektromos berendezéseket adja le újrafeldolgozásra.

Csak az Európai Közösség országaiban

Az elektromos eszközöket ne dobja a háztartási hulladékok közé. Az 2012/19/EU Európai Irányelv - Elektromos és elektronikus berendezések hulladékai - és ennek nemzeti szabályozása alapján, azokat az elektromos eszközöket, melyek többé már nem használhatóak, külön kell összegyűjteni, és környezetbarát módon kell megszabadulni tőlük.

GARANCIA

Olvassa el a garancialevélen található feltételeket.

A termék és a felhasználói kézikönyv bármikor megváltoztatható. A módosítások további értesítés nélkül végrehajthatók.

ELEKTRICKÁ STŘÍKACÍ PISTOLE SGM1012

Děkujeme Vám za zakoupení produktu firmy Ferm.

Zakoupením jste získali jedinečný výrobek, který dodává jeden z hlavních evropských dodavatelů. Všechny produkty, které dodává firma Ferm, se vyrábí podle nejvyšších výkonostních a bezpečnostních standardů. Součástí naší filozofie je i poskytování prvotřídního zákaznického servisu, který je zajištěn naší komplexní zárukou. Doufáme, že budete moci používat tento výrobek během mnoha příštích let.

Čísla v textu se odvolávají na diagramy na stranách 2-3



Před použitím přístroje si pozorně přečtěte tento návod k obsluze. Seznamte se s funkcemi a základní obsluhou. Obsluhujte přístroj vždy podle pokynů, aby byla zajištěna jeho správná funkčnost. Návod k obsluze a průvodní dokumentace se musí nacházet v blízkosti přístroje.

Obsah

1. Technické údaje
2. Bezpečnostní opatření
3. Pokyny pro obsluhu
4. Údržba

1. TECHNICKÉ ÚDAJE

Napětí	220-240 V~
Frekvence	50 Hz
Příkon	110 W
Max. prutočné množství trysky	300 ml/min
Obsah nádoby	800 ml
Průměr trysky	0,8 mm
Hmotnost	1,75 kg
Lpa (akustický tlak)	91 dB(A)
Lwa (akustického výkonu)	102 dB(A)
Vibrační hodnota	11,53 m/s ²

Zkontrolujte přístroj, volné části a příslušenství, zdali nebyly poškozeny dopravou.

Úroveň vibrací

Úroveň vibrací uvedená na zadní straně tohoto manuálu s pokyny byla měřena v souladu se

standardizovaným testem podle EN 60745; je možné ji použít ke srovnání jednoho přístroje s druhým a jako předběžné posouzení vystavování se vibracím při používání přístroje k uvedeným aplikacím

- používání přístroje k jiným aplikacím nebo s jiným či špatně udržovaným příslušenstvím může zásadně zvýšit úroveň vystavení se vibracím
- doba, kdy je přístroj vypnutý nebo kdy běží, ale ve skutečnosti není využíván, může zásadně snížit úroveň vystavení se vibracím

Chraňte se před následky vibrací tak, že budete dbát na údržbu přístroje a příslušenství, budete si udržovat teplé ruce a uspořádáte si své pracovní postupy

Informace o výrobku

Obr. A

1. Kryt motoru
2. Regulace výstupního množství
3. Spínač
4. Držadlo
5. Nádobka na barvu
6. Ochranný koš trysky
7. Nádobka na měření viskozity

2. BEZPEČNOSTNÍ OPATŘENÍ

Vysvětlení symbolů



Označuje riziko osobního zranění, ztráty života nebo poškození nástroje v případě nedodržení pokynů v tomto návodu.



Označuje nebezpečí elektrického šoku.



Noste ochranné rukavice.



Nosit respirátor. Při práci se dřevem, kovy a dalšími materiály se může uvolňovat zdraví škodlivý prach. Nepracovat s materiály, které obsahují asbest!



Noste ochranné brýle.

Další bezpečnostní pokyny

- **NIKDY NESTŘÍKEJTE PROTI LIDEM** - Nikdy nemiřte tryskou na žádné osoby ani zvířata. Nikdy nedovolte, aby stříkaný materiál přišel do přímého styku s pokožkou.
- **BOD VZPLANUTÍ** - Tato stříkácí pistole se nesmí používat pro stříkání hořlavých barev a ředidel, jejichž bod vzplanutí je nižší než 32 °C.
- **VĚTRÁNÍ** - Vždy zajistěte, aby při stříkání byl pracovní prostor dobře odvětrán.
- **OCHRANNÝ KOŠ TRYSKY** - Před používáním vždy nasadte ochranný koš trysky.
- **VEZMĚTE V ÚVAHU PRACOVNÍ PROSTŘEDÍ** - Nepoužívejte stříkácí pistoli, jestliže existuje riziko požáru nebo výbuchu.
- **BUĎTE SI VĚDOMI NEBEZPEČÍ** - Buďte si dobře vědomi nebezpečí, které představuje stříkaný materiál, a prostudujte si údaje na nádobě a informace poskytované výrobcem.
- **NESTŘÍKEJTE** - Nestříkejte žádný materiál, pokud nevíte, jaká rizika představuje.
- **NOSTE OCHRANNÉ BRÝLE** - Vždy používejte patřičnou ochranu očí, aby nebyly vystaveny riziku styku s nebezpečnými výpary.
- **NOSTE MASKU** - Nikdy nepoužívejte stříkácí pistoli, aniž byste byli chráněni maskou obličejem.
- **CHRANĚ SVUJ SLUCH** - Když hluk přesahuje 85 dB(A), použijte protihlukovou ochranu.
- **SVÉ NÁŘADÍ UDRŽUJTE** - Udržujte svou stříkácí pistoli, nádobu s barvou a trysky čisté. Neprovádějte čištění pomocí hořlavých kapalin s bodem vzplanutí nižším než 32 °C. Kontrolujte pravidelně přívodní kabel, a jestliže zjistíte jakékoliv poškození, nechte ho vyměnit kvalifikovanou osobou.
- **OTEVŘENÝ PLAMEN** - Nikdy nestříkejte v blízkosti otevřeného ohně ani v blízkosti zapalovacího plamínku nějakého spotřebiče.
- **KOUŘENÍ** - Nikdy při stříkání pistolí nekuřte.
- **ŘEDĚNÍ** - Vždy si před použitím barev či jiných materiálů prostudujte doporučení nebo pokyny výrobce k jejich ředění.
- **ODPOJUJTE PISTOLI ZE ZÁSUVKY** - Při plnění nádoby barvou nebo čištění pistole vždy pistoli odpojte ze zásuvky.
- **KDYŽ NESTŘÍKÁTE, PISTOLI VYPÍNEJTE** - Nikdy ani na okamžik nepoužívejte pistoli se zcela zavřeným regulačním knoflíkem pro nastavování stříkaného množství.



Nepřejímáme žádnou odpovědnost za škody vzniklé použitím nevhodných látek nebo barev, které nebyly správně ředěny, ani za žádné ohrožení zdraví vyplývající z nedostatečného větrání.

Okamžitě stříkácí pistoli vypněte:

- Jestliže se poškodí zástrčka, přeruší nebo poškodí přívodní kabel.
- Jestliže je spínač vadný.
- Jakmile ucítíte zápach kouře z pálící se izolace.

Elektrotechnická bezpečnost

Při používání elektrických přístrojů je vždy třeba dodržovat bezpečnostní předpisy platné ve vašem státě. Sníží se tím nebezpečí požáru, zasažení elektrickým proudem a zranění osob. Pročtěte zde uvedené bezpečnostní pokyny a seznamte se i s bezpečnostními pokyny přiloženými k nástroji. Uložte tyto pokyny na bezpečném místě.



Vždy kontrolujte, jestli napájení odpovídá napětí na typovém štítku.



Stroj třídy II – dvojité izolace – Nepotřebujete žádnou uzemněnou zástrčku.

Výměna kabelů a zástrček

Staré kabely nebo zástrčky po výměně za nové okamžitě vyhodte. Je nebezpečné používat zástrčky s uvolněnými kabely.

Používání prodlužovacích kabelů

Používejte pouze schválené prodlužovací kabely odpovídající příkonu přístroje. Minimální průřez vodiče je 1,5 mm². Používáte-li kabelový naviják, vždy ho odvíjte celý.

3. POKYNY PRO OBSLUHU

Příprava

Obr. B



Nepoužívejte barvy a materiály, které na stěnách vytvářejí povrch s texturou, protože se jimi zaneše tryska.

Pro dosažení nejlepších výsledků je důležité připravit si před použitím stříkácí pistole stříkaný

povrch a naředit barvu na správnou viskozitu. Vždy se ujistěte, že stříkaný povrch je zbaven prachu, nečistot a mastnoty. Ujistěte se, že jste kvalitní ochrannou páskou dobře zakryli všechny plochy, které nemají být stříkány. Barva či tekutina, kterou budete stříkat, by měla být dobře promíchána a bez jakýchkoli žmolku či jiných tuhých částic. S touto stříkací pistolí lze stříkat mnoho různých látek, ale vždy si před nákupem zkontrolujte doporučení výrobce.

Ředění



Pamatujte, že před plněním nádoby na barvu stříkaným materiálem je vždy třeba odpojit pistoli ze zásuvky.

Většinou se barvy dodávají naředěné pro přímé nanášení štětcem, avšak aby byly vhodné pro stříkání, je třeba je nejprve naředit. Při používání stříkací pistole vždy dodržujte doporučení výrobce k ředění barev. Nádobka na měření viskozity vám pomůže určit správnou viskozitu barvy. Když chcete určovat viskozitu, naplňte měrnou nádobku po okraj barvou. Pak měřte čas potřebný k tomu, aby všechna barva vytekla zpět do plechovky s barvou.

Níže uvedená tabulka uvádí doporučené časy pro různé druhy materiálu v sekundách.

Umělohmotné a latexové barvy 24 - 28 sekund
 Barvy rozpustné ve vodě 20 - 25 sekund
 Základní barvy 24 - 28 sekund
 Laky 20 - 25 sekund
 Olejové barvy 18 - 22 sekund
 Emaily 18 - 22 sekund
 Hliníkové barvy 22 - 25 sekund
 Ochranné nátěry spodku vozu 25 - 35 sekund
 Impregnace dřeva 24 - 28 sekund
 Ochranné nátěry na dřevo třeba ředitnění
 Barvy na dřevo třeba ředitnění

Jestliže barva vytéká déle, než je doporučený čas, je třeba další ředění. Přimíchejte malé množství příslušného ředidla a proveďte zkoušku viskozity. Takto postupujte dále, dokud není dosaženo správné viskozity. Některé materiály určené ke stříkání obsahují žmolky a tuhé částice. Ty by se měly z barvy odstranit pomocí sítka ještě před plněním nádoby stříkací pistole.

Stříkání

Obr. C

Naplňte nádobku správně naředěnou barvou přefiltrovanou přes sítko. Zapojte stříkací pistoli do zásuvky. Namiřte stříkací pistoli na kus odpadového materiálu a držte stisknutý spínač, dokud pistole nezačne stříkat. Regulačním knoflíkem (2) seříďte požadované výstupní množství barvy. Otáčením tohoto regulačního knoflíku ve směru hodinových ručiček (B) se množství barvy snižuje a otáčením proti směru hodinových ručiček (A) se zvyšuje. Nastavení regulačního knoflíku ovlivní strukturu stříkání. Při špatné struktuře stříkání se barva soustřeďuje do středu stříkané plochy a vytváří skvrnitý povrch. Při dobré struktuře stříkání se barva rovnoměrně rozloží po celé ploše.

Technik y stříkání

Obr. D

Pro dosažení nejlepších výsledků udržujte stále stejnou vzdálenost stříkací pistole od povrchu. Držte trysku 25 - 30 cm od povrchu a stříkejte rovnoměrně se strany na stranu a nahoru a dolů. Nestříkejte pod úhlem, protože to vede ke stékání barvy po povrchu. Používejte plynulé a rovnoměrné tempo. Při stříkání velkých ploch používejte vzor stříkání křížem krážem, jak znázorňuje obrázek.

Obr. E

Nikdy nespouštějte ani nevypínejte stříkací pistoli, jestliže je namířena na stříkanou plochu. Pruběžně kontrolujte rychlost pohybu stříkací pistole. Při rychlém pohybu pistole je nastříkaná vrstva slabá, zatímco při pomalém pohybu silná. Najednou provádějte pouze jeden nástřik. Jestliže je třeba provést více nástřiků, ujistěte se, že jste před dalším nástřikem dodrželi čas zasychání doporučený výrobcem. Při stříkání malých ploch mějte regulační knoflík nastaven na malé výstupní množství barvy. Tím se vyhnete příliš velké spotřebě barvy a zabráníte nadměrnému nánosu. Při stříkání předmětu nestříkejte pokud možno přerušovaně, aby nastříkaná vrstva nebyla příliš slabá nebo naopak silná. Nenaklánějte stříkací pistoli více než 45°.

Nasazování a používání pružné trysky

Obr. F

Pružné prodloužení trysky by se mělo používat při stříkání plochých nebo horizontálně orientovaných povrchů. Mělo by se používat také v prostorách s omezeným přístupem. Pružnou trysku nasazujte tak, že odšroubujete ochranný koš trysky a místo něj nasadíte pružnou trysku. Ochranný koš nasadte na konec pružné trysky a utáhněte ho.

4. UDRŽBA



Ujistěte se, že přístroj není zapnutý a je odpojen od sítě, jestliže provádíte údržbu motoru.

Tyto přístroje byly zkonstruovány k dlouhodobé funkci s minimálním množstvím servisování. Délku života můžete prodloužit pravidelným čištěním a řádným zacházením s přístrojem.

Odstraňování potíží

1. Motorek bzučí, ale pistole nestříká nebo stříká nerovnoměrně.

- Opotřebená vířivá hlavice.
- *Vyměňte vířivou hlavici.*
- Sací trubička není správně nasazena.
- *Nasadte trubičku správně.*
- Zanesená sací trubička.
- *Vyčistěte ji ředidlem.*
- Zanesená tryska.
- *Vyčistěte trysku.*
- Zanesený filtr.
- *Vyčistěte filtr ředidlem.*
- Regulační knoflík je třeba seřídit.
- *Proveďte seřízení.*

2. Rozptýlení barvy není dobré

- Nastavené množství není správné.
- *Proveďte seřízení.*
- Barva je příliš hustá
- *Zkontrolujte viskozitu barvy.*

3. Nanáš se příliš mnoho barvy

- Stříkací pistole není čistá nebo není namazaná a výsledkem je zasekávání pístu ve válci.
- *Rozeberte pistoli a vyčistěte ji ředidlem.*
- Příliš mnoho barvy.
- *Seřídte nastavení množství otáčením ve*

směru hodinových ručiček, aby se množství barvy snížilo.

- Viskozita je příliš nízká.
- *Zkontrolujte viskozitu.*
- #### 4. Motorek je hlučnější než normálně
- Stříkací pistole není čistá nebo není namazaná a výsledkem je zasekávání pístu ve válci.
- *Rozeberte pistoli a vyčistěte ji ředidlem.*
- #### 5. Pistole nestříká a není ani slyšet
- Pistole není napájena elektrickým proudem.
- *Zkontrolujte napájení.*

6. Provozní zvuk není správný

- Špatné nastavení výstupního množství.
- *Proveďte nové nastavení.*
- V nádobce na barvu je málo barvy a nasává se vzduch.
- *Doplňte barvu.*
- Nesprávné ředění nebo omezený průtok sací trubičkou.
- *Zkontrolujte sací trubičku a viskozitu.*

7. Povrch je jako „pomerančová kura“ a mlžení

- Je použito nesprávné ředidlo.
- *Použijte správné ředidlo dochází k nadměrnému.*
- Stříkací pistole je držena příliš daleko od stříkaného povrchu.
- *Držte stříkací pistoli blíže stříkaného povrchu.*
- Barva je příliš hustá.
- *Barvu rozřeďte.*

Cisteni a údržba

Obr. G



Před čištěním pistole nebo nádoby na barvu nezapomínejte stříkací pistoli vždy odpojit ze zásuvky.

Je velice důležité stříkací pistoli po každém použití řádně vyčistit. Nedodržení tohoto požadavku zcela jistě způsobí zanesení, takže při příštím použití by pistole nefungovala! Záruka se nevztahuje na vyčištění stříkací pistole, které byla uživatelem pravidelně a řádně čištěna. Po každém použití ji třeba provést tyto úkony:

- Z nádoby na barvu vylijte zbývající materiál.
- Řádně tuto nádobku vyčistěte použitým

ředidlem.

- Nalijte trochu tohoto ředidla do nádoby a stříkejte, dokud z trysky nevychází jen čisté ředidlo.
- Ředidlem rovněž zevrubně vyčistěte sací trubičku a filtr.
- Vyčistěte ochranný koš a trysku a odstraňte všechny zbytky barvy.
- Naklánějte stříkací pistoli nahoru a dolů a do dvou otvorů (F) nakapejte několik kapek řídkého oleje. Tím se promaže píst a válec

Jestliže stříkací pistole vyžaduje zvláštní čištění vnitřních součástí, bude nutné ji rozebrat. V takovém případě je třeba dodržet následující postup:

- Odpojte zástrčku ze zásuvky
- Sejměte nádobku na barvu, vyjměte sací trubičku a filtr.
- Vyjměte čerpací jednotku.
- Uvolněte trysku (H), ventil (J), píst (K) a pružinu (L).
- Řádně vyčistěte válec (M) a všechny části ředidlem.
- Nakapejte několik kapek řídkého mazacího oleje na píst, pružinu a válec.
- Stříkací pistoli pak znovu sestavte.

Mazání

Přístroj nepotřebuje žádné další mazání.

Závady

Jestliže se objeví závada jakožto důsledek opotřebení části, tak kontaktujte servisní centrum uvedené na záručním listě. Na konci tohoto návodu je obsáhlý přehled částí, které lze objednat.

PROSTŘEDÍ

Aby se zabránilo poškození během přepravy, tak může být přístroj dodán v odolném balení. Převážná část balení se skládá z recyklovatelných materiálů. Z tohoto důvodu byste měli balení zrecyklovat.



Vadný a nebo vyhozený elektrický či elektronický přístroj musí být dodán na příslušné recyklační místo.

Pouze pro krajiny ES

Elektricky napájené zařízení neodhazujte do domovního odpadu. Ve smyslu evropské směrnice 2012/19/EU o elektrickém a elektronickém odpadu a její implementace do národního práva, se musí elektrické nástroje, které se již déle nepoužívají, shromážďovat odděleně a likvidovat pouze způsobem, jenž nepoškozuje životní prostředí.

ZÁRUKA

Přečtěte si záruční podmínky na samostatném záručním listě.

Výrobek a návod k obsluze podléhají změnám. Technické údaje je možné změnit bez předchozího upozornění.

ELEKTRIČNA RAZPRŠILNA PIŠTOLA SGM1012

Hvala, ker ste kupili ta Fermov izdelek. S tem ste si zagotovili odličen izdelek, ki vam ga je dobavil eden vodilnih evropskih dobaviteljev. Vsi izdelki, ki vam jih dobavi Ferm, so izdelani po najvišjih standardih varnosti in učinkovitosti. Del naše filozofije je tudi odlična podpora strankam, ki se odraža tudi v naši obsežni garanciji. Upamo, da vam bo ta izdelek odlično služil še dolgo vrsto let.

Številke v besedilu ustrezajo diagramom na straneh 2-3



Pred uporabo orodja pozorno preberite navodila za delovanje. Spoznajte funkcije in osnovno delovanje tega orodja. Servis orodja glede na ta navodila zagotavlja, da bo le-to vedno delovalo pravilno. Navodila za delovanje in spremno dokumentacijo shranjujte v bližini orodja.

Vsebina

1. Podatki o napravi
2. Bezpečnostni pookyny
3. Navodilja za uporabo
4. Uporaba

1. PODATKI O NAPRAVI

Napetost	220-240 V~
Frekvenca	50Hz
Moč	110 W
Maksimalni pretok	300 ml/min
Kapaciteta rezervoarja	800 ml
Premer razpršilnika	0,8 mm
Teža orodja	1,75 kg
Višina zvočnega pritiska	91 dB(A)
Višina moči zvoka	102 dB(A)
Vibracija	11,53 m/s ²

Zaradi možne poškodbe med prevozom preverite stroj, sproščene dele in pritikline.

Raven vibracij

Raven oddajanja vibracij, navedena na zadnji strani teh navodil za uporabo je bila izmerjena v skladu s standardiziranimi testi, navedenimi v EN 60745; uporabiti jo je mogoče za primerjavo različnih orodij med seboj in za predhodno

primerjavo izpostavljenosti vibracijam pri uporabi orodja za namene, ki so omenjeni

- uporaba orodja za drugačne namene ali uporaba skupaj z drugimi, slabo vzdrževanimi nastavki lahko znatno poveča raven izpostavljenosti
- čas, ko je orodje izklopljeno ali ko teče, vendar z njim ne delamo, lahko znatno zmanjša raven izpostavljenosti

Pred posledicami vibracij se zaščitite z vzdrževanjem orodja in pripadajočih nastavkov, ter tako, da so vaše roke tople, vaši delovni vzorci pa organizirani

Opis

Slika A

1. Ohišje motorja
2. Regulator pretoka
3. Stikalo za vklop
4. Ročaj
5. Rezervoar za barvo
6. »Košarica« (ščitnik) razpršilnika
7. Merilnik viskoznosti

2. BEZPEČNOSTNI POKYNY

Pomen simbolov



Označuje nevarnost poškodb, smrti ali materialnih škod na napravi in predmetih zaradi neupoštevanja navodil, ki so zajeta v tem priročniku.



Označuje nevarnost električnega udara.



Noste ohranné rukavice.



Nosite protiprašno varovalno masko. Delo z lesom, kovino in drugim materiali lahko povzroča prašne delce, ki so škodljivi zdravju. Ne delajte z materiali, ki vsebujejo azbest!



Nosite varnostna očala.

Dodatna varos tna navodila

- Nikoli ne usmerjajte aparata proti osebam ali živalim. Ne izpostavljajte kože direktnemu stiku z razpršeno barvo.
- Točka vžiga. Ta aparat ni dovoljeno uporabljati za razprševanje topil in barvil s točko vžiga pod 32° C!
- Prezračevanje. Pri delu vedno pazite na primerno prezračevanje delovnih prostorov.
- »Košarica« razpršilnika. Pri delu mora biti nameščena košarica (ščitnik) razpršilnika.
- Primernost delovnega okolja. Ne uporabljajte aparata v okolju, kjer lahko pride do požara ali celo eksplozije!
- Seznanitev z nevarnostjo. Pred uporabo materialov za razprševanje se seznanite z možnimi nevarnostmi za zdravje in okolje. Te informacije so na embalaži proizvajalcev.
- Ne uporabljajte kemikalij, ki jih ne poznate oziroma ne poznate možnih nevarnosti za zdravje in okolje.
- Zaščitite oči! Pri delu vedno uporabljajte primerno zaščito za oči.
- Uporabljajte zaščitno masko! Ne uporabljajte orodja brez zaščitne maske.
- Zaščitite ušesa! Uporabljajte zaščitne slušalke, če jakost zvoka presega stopnjo 85dB.
- Vzdržujte aparat. Pištola, razpršilnik in rezervoar naj bodo čisti. Pri čiščenju ne uporabljajte čistil ali topil s točko vžiga pod 32° C.
- Redno preverjajte stanje kabla in ga ob morebitni poškodbi dajte zamenjati pooblaščenemu strokovnjaku.
- Odprt ogenj. Nikoli ne razpršujte v bližini odrtega ognja!
- Kajenje. Pri delu ne kadite! Prižgana cigareta lahko ob prisotnosti vnetljivih topil ali redčil povzroči požar ali celo eksplozijo.
- Razredčevanje. Pri pripravi barv upoštevajte navodila proizvajalca.
- Odklapljanje iz električnega omrežja. Pri polnjenju rezervoarja ali čiščenju vedno izklopite aparat iz električnega omrežja.
- Aparat izključite iz električnega omrežja, kadar ni v uporabi! Izogibajte se rabi aparata z do konca zaprtim regulatorjem pretoka.



Ne prevzemamo nobene odgovornosti za škodo pri uporabi neustreznih topil, nepravilno razredčenih barv ali za zdravstvene težave pri uporabi aparata v slabo prezračevanem prostoru.

Takoj izklopite aparat če:

- Pride do poškodb kabla ali vtičaka;
- Pride do okvarestikala za vklop;
- Zaznate vonj po zažgani ali pregreti izolaciji.

Električna varnost

Pri uporabi električnih orodij morate vedno upoštevati osnovne varnostne ukrepe ter tako preprečiti nevarnost požara, električnega udara in telesnih poškodb. Preberite naslednja navodila za svojo varnost in priložena varnostna navodila. Ta navodila shranite na varnem kraju.



Vedno zagotovite, da je napetost napajanja enaki napetosti na ploščici s tehničnimi podatki o stroju.



Naprava II. Stroj je dvojno izoliran, zato ga ni treba dodatno ozemljiti.

Menjava kablov ali vtičnic

V primeru, da ste zamenjali električne kable ali vtičnice, morate stare takoj odstraniti. Obstaja nevarnost, da jih ponovno vključite v električno omrežje.

Uporaba kablskih podaljškov

Porabi le standardni podaljšek z žico preseka min. 1,5 mm². Ko uporabljate navijalnik kablskega podaljška, odvijte kabel do konca.

3. NAVODILA ZA UPORABO

Pripravaaparata

Slika B



Ne uporabljajte strukturnih ali kosmičastih barv, saj lahko pride do zamašitve razpršilnika.

Za doseg optimalnega barvanja je potrebno površino za barvanje očistiti in barvo primerno razredčiti do najustrežnejše viskoznosti, še preden začnemo z uporabo aparata. Prepričajte se, ali je površina za barvanje čista,

brez mastnih madežev in umazanije.

Prav tako se prepričajte, ali ste primerno zaščitili površine, ki jih ne želite pobarvati. Za optimalno zaščito priporočamo ustrezne samolepilne trakove. Barva mora biti dobro premešana, brez večjih delcev ali grudic. Veliko raznih barv in topil se lahko uporablja v vašem aparatu, vendar pred uporabo vedno skrbno preberite navodila proizvajalca za pravilno pripravo barve.

Razredcevanje



Pred polnjenjem rezervoarja z barvo vedno izključite aparat iz električnega omrežja.

Večina barv je pripravljena za barvanje s čopičem in jih je potrebno pred uporabo razpršilni pištoli ustrezno razredčiti. Upoštevajte navodila in nasvete proizvajalca pri pripravi barv. Čaša za merjenje viskoznosti vam bo pomagala pri ugotavljanju ustreznosti barve za uporabo v pištoli. Čašo napolnite do roba z barvo in izmerite čas, ki potreben, da barva steče nazaj v posodo z barvo.

V tabeli spodaj so navedeni časi odtekanja, ki določajo primernost barve za uporabo v pištoli.

Plastične in lateks barve	24-28 sekund
Barve na vodni osnovi	20-25 sekund
Osnovne barve (»prajmerji«)	24-28 sekund
Laki	20-25 sekund
Oljne barve	18-22 sekund
Emajl barve	18-22 sekund
Aluminjske barve	22-25 sekund
Karoserijske zaščitne barve	25-35 sekund
Osnovne barve za les	28-35 sekund
Zaščitne barve za les	Ni potrebna redčenje
Laki za les	Ni potrebna redčenje

Če barva teče dalj časa, kot je navedeno v tabeli, je potrebno še eno redčenje. Pri redčenju dodajajte majhne količine redčila in kontrolirajte viskoznost, dokler ne dosežete ustrezno kvaliteto barve. Nekatere barve vsebujejo delce in grudice. Take barve je treba pre uporabo precediti ali filtrirati.

Barvanje

Slika C

Aparat priključite v električno omrežje. Usmerite pištolo na testno površino in pričnite barvanje s pritiskom na stikalo. Uravnajte moč pretoka s pomočjo regulatorja (2), dokler ne dosežete zelene stopnje pretoka barve. Pri obračanju regulatorja v smeri urinega kazalca (B) se pretok barve zmanjša in temu nasprotno, se v smeri vrtenja proti urinemu kazalcu (A) pretok barve poveča. Spreminjanje pretoka barve spremeni tudi vzorec barve na barvalni površini. Pri slabem vzorcu se barva koncentrira v središču curka in pušča popackan videz. Dobro nastavljen curek pa bo barvi omogočil, da bo se enakomerno razpršila po površini barvanja.

Tehnike barvanje splštolo

Slika D

Za optimalen učinek barvanja pištolo vedno držite vzporedno s površino za barvanje. Razpršilnik naj bo v razdalji 25-30 cm od površine za barvanje. Barvo nanašajte enakomerno dol-gor oziroma levo-desno. Ne razpršujte barve pod kotom. Gibi naj bodo gladki in enakomerni. Pri barvanju večjih površin uporabite vzorec kot na sliki.

Slika E

Ne začnite ali končajte z barvanjem, ko imate pištolo usmerjeno proti površini za barvanje. Hitrost premikanja pištole mora biti ves čas enakomerna. Pri prehitrem pomikanju pištole bo barva v pretanki plasti, pri prepočasnem pa bo nastal debel sloj barve. Nanašajte le en sloj naenkrat. V primeru potrebe po drugi plasti poiščite navodila proizvajalca barve o času sušenja barve. Pri barvanju manjših površin naj bo curek barve šibkejši, kar bo preprečilo prekomerno porabo barve in predebel sloj. Če je le možno, med postopkom brizganja ne zaganjajte niti ne prekinjajte delovanja. To bi lahko povzročilo preskromen ali prebogat nanos barve. Pištolo za brizganje ne nagibajte bolj kot pod kotom 45°.

Montaža in uporaba razpršilnega podaljška

Slika F

Podaljšek je uporaben pri barvanju ravnih ali vodoravnih površin in še posebej pri barvanju težje dostopnih območij. Montaža je enostavna –

odvijte košarico razpršilnika in jo zamenjajte s podaljškom. Podaljšek dobro privijte in pištola je nared.

4. UPORABA



Ujistete se, že pri stroj ni zapnutý a je odpojen od sítě, jestliže provádíte údržbu motoru.

To orodje je bilo izdelano za dolgo časovno obdobje in z minimalno potrebo po servisu. Življenjsko dobo lahko podaljšate z rednim čiščenjem in s pravilno uporabo orodja.

Odstranjevanje težav

1. Motor deluje, vendar barva ne izhaja ali izhaja neenakomerno, v sunkih

- Izrabljena glava za vrtnčenje barve.
- Zamenjajte glavo.
- Cevka za dotok barve ni pravilno nameščena.
- Popravite cevkin položaj.
- Zamašena cevka.
- Očistite cevko z redčilom.
- Zamašen razpršilnik
- Očistite razpršilnik z razredčilom.
- Zamašen filter.
- Očistite filter z razredčilom.
- Regulator pretoka ni pravilno nastavljen.
- Popravite položaj regulatorja.

2. Atomizacija neprimerna

- Regulator pretoka ni pravilno nastavljen.
- Popravite položaj regulatorja.
- Barva je pregosta.
- Preverite viskoznost barve.

3. Pregost curek barve

- Slabo očiščen razpršilnik, slabo naoljen – bat se je zataknil v cilindru.
- Razstavite aparat in očistite z redčilom.
- Preveč barve
- Popravite položaj regulatorja pretoka barve na manjši pretok. Dva sloja barve sta boljša kot eden.
- Viskoznost prenizka.
- Preverite viskoznost barve.

4. Motor glasnejši kot običajno

- Slabo očiščen razpršilnik, slabo naoljen - bat se je zataknil v cilindru.
- Razstavite aparat in očistite z redčilom.

5. Ni pršenja, ni zvoka

- Ni elektrike.
- Preverite priključek v električno omrežje.

6. Zvok med delovanjem ni normalen

- Slaba nastavitvev pršenja.
- Nastavite regulator.
- Premalo barve v rezervoarju – črpalka sesa zrak.
- Napolnite rezervoar.
- Neustrezna, neenakomerna raztopina barve ali slab pretok skozi cevko.
- Preverite viskoznost in cevko za dotok barve.

7. Neustrezen curek barve

- Neustrezno redčilo.
- Uporabite primerno redčilo.
- Pršite predaleč od površine za barvanje.
- Približajte pištolo na primerno razdaljo 25-30 cm od površine za barvanje.
- Barva je pregosta.
- Preverite viskoznost in jo ustrezno razredčite.

Čiščenje in vzdrževanje

Slika G



Ujistete se, že pri stroj ni zapnutý a je odpojen od sítě, jestliže provádíte údržbu motoru.

Pred čiščenjem pištrole ali rezervoarja vedno izključite napravo iz električnega omrežja. Izjemno pomembno je čiščenje pištrole in rezervoarja po vsaki uporabi! Slabo in neredno vzdrževanje bo prej ali slej privedlo do zamašitve in okvare. Garancija ne krije stroške čiščenja razpršilnika, če ni bil primerno vzdrževan! Sledeči postopki morajo biti izvedeni po vsaki uporabi aparata:

- Izpraznite ostanek barve iz rezervoarja.
- Očistite rezervoar z razredčilom.
- Vlijite nekaj redčila v rezervoar in ga razpršujte tako dolgo, dokler ne izhaja iz razpršila le še čisto redčilo.
- Temeljito očistite cevko za dotok barve in filter na njej.
- Očistite košarico in razpršilnik in odstranite vse ostanke barve.

- Postavite pištolo na glavo in kanite nekaj kapljic strojnega olja v odprtini (F).

Če je potrebno aparat temeljiteje očistiti in ga pri tem razstaviti, sledite tem navodilom za demontažo:

- Izključite aparat iz električnega omrežja
- Odstranite rezervoar, cevko za dotok barve in filter.
- Odstranite črpalko.
- Sprostite razpršilnik (H), ventil (J), bat (K) in vzmet (L).
- Očistite cilinder (M) in vse dele z redčilom.
- Z nekaj kapljicami olja naoljite bat, vzmet in cilinder.
- Sestavite aparat.

Mazanje

Orodja ni potrebno dodatno mazati.

Okvare

Če pride do okvar zaradi obrabe delov, kontaktirajte prosim servisno središče, ki ga najdete na garancijskem listu. Na koncu teh navodil najdete podroben pregled delov, ki jih lahko naročite.

OKOLJE

Da preprečimo morebitne poškodbe orodja med prevozom, se le-to dobavlja v močni embalaži. V veliki meri je ta embalaža izdelana iz recikliranih materialov. To dejstvo upoštevajte, ko boste embalažo reciklirali.



Vadný a nebo vyhozený elektrický či elektronický přístroj musí být dodán na příslušné recyklační míst.

Samo za države ES

Električnih orodij ne vrzite stran v domače za smeti. Po Evropski smernici 2012/19/EU za WEEE (Odpadna električna in elektronska oprema) in njeno širitev v narodno pravo, je potrebno električna orodja, ki niso več uporabna, zbrati posebej in se jih znebiti na okolju prijazen način.

GARANCIJA

Pogoje garancije najdete na samostojnem garancijskem listu, ki se dobavlja z izdelkom.

Ta izdelek in ta navodila se lahko spremenijo. Specifikacije se lahko spremenijo brez opozorila.

ELEKTRYCZNY PISTOLET NATRYSKOWY SGM1012

Dziękujemy za zakup urządzenia firmy Ferm. W ten sposób nabyli Państwo znakomity produkt, opracowany przez jednego z czołowych dostawców w Europie. Wszystkie produkty sprzedawane przez firmę Ferm są produkowane zgodnie z najwyższymi standardami wydajności i bezpieczeństwa. W ramach naszej filozofii oferujemy również znakomity serwis klienta, oparty na wszechstronnej gwarancji. Mamy nadzieję, że urządzenie będzie Państwu doskonale służyć przez wiele lat.

Liczby w tekście odnoszą się do schematów na stronach 2-3



Przed użyciem urządzenia należy zapoznać się z treścią instrukcji obsługi. Zapoznać się z funkcjami oraz podstawami dot. obsługi. Z urządzeniem należy posługiwać się zgodnie ze wskazówkami, aby zapewnić właściwe działanie poszczególnych funkcji. Instrukcja obsługi oraz dokumentacja na temat urządzenia powinna znajdować się zawsze w pobliżu urządzenia.

Spis treści

1. Parametry szlifierki
2. Przepisy bezpieczeństwa
3. Przepisy eksploatacji
4. Zastosowanie

1. PARAMETRY SZLIFIERKI

Napięcie	220-240 V~
Częstotliwość	50 Hz
Używana moc	110 W
Maks. zużycie przez dyszę	300 ml/min
Objętość kontenera	800 ml
Średnica dyszy	0,8 mm
Masa	1,75 kg
L _{pa} (moc ciśnienia dźwiękowego)	91 dB(A)
L _{wa} (poziom mocy dźwiękowej)	102 dB(A)
Wibracje	11,53 m/s ²

Sprawdź maszynę, luźne części i części osprzętu, czy nie zostały uszkodzone podczas transportu.

Poziom wibracji

Poziom emisji wibracji podany na końcu tej instrukcji został zmierzony zgodnie z testem standaryzowanym podanym w EN 60745; może służyć do porównania jednego narzędzia z innym i jako ocena wstępna narażenia na wibracje w trakcie używania narzędzia do wymienionych zadań

- używanie narzędzia do innych zadań, lub z innymi albo źle utrzymanymi akcesoriami, może znacząco zwiększyć poziom narażenia
- przypadki, kiedy narzędzie jest wyłączone lub jest czynne, ale aktualnie nie wykonuje zadania, mogą znacząco zmniejszyć poziom narażenia

Należy chronić się przed skutkami wibracji przez konserwację narzędzia i jego akcesoriów, zakładanie rękawic i właściwą organizację pracy

Informacja o urządzeniu

Rys. A

1. Korpus silnika
2. Rączka sterowania rozpyleniem
3. Wyłącznik
4. Rękojeść
5. Kontener dla farby
6. Dysza w kształcie koszap
7. Czasza dla sprawdzenia lepkości

2. PRZEPISY BEZPIECZEŃSTWA

Objaśnienie symboli



W razie nie przestrzegania danej instrukcji obsługi może powstać ryzyko zranienia oraz zgonięcia personelu lub uszkodzenia narzędzia.



Wskazuje na niebezpieczeństwo porażenia prądem elektrycznym.



Nosić rękawiczki ochronne.



Noś maskę przeciwpyłową. W trakcie obróbki z drewna, metali i innych materiałów może wydzielać się szkodliwy dla zdrowia pył. Nie pracuj z materiałami zawierającymi azbest!



Zaleca się noszenie okularów ochronnych.

Dodatkowe przepisy bezpieczeństwa pracy

- **NIGDY NIE ROZPYLAĆ NA LUDZI** – Nigdy nie skierowywać dyszy w kierunku człowieka albo zwierzęcia. Unikać bezpośredniej styczności rozpylanego strumienia ze skórą.
- **PUNKT ZAPŁONU** – Nie stosować niniejszy rozpylacz dla rozpylenia farb albo rozcieńczalników z punktem zapłonu niżej 32 °C
- **WENTYLACJA** – Przed rozpyleniem trzeba sprawdzić że w miejscu wykonania pracy jest odpowiednia wentylacja.
- **DYSZA W KSZTAŁCIE KOSZA** – Podczas użytkowania rozpylacza dysza w kształcie kosza powinna być na miejscu.
- **SPRAWDZCIE OTOCZENIE MIEJSCA PRACY** – Nie stosować rozpylacz w miejscach gdzie istnieje niebezpieczeństwo pożaru albo wybuchu.
- **UNIKAĆ WSZELKIEGO NIEBEZPIECZEŃSTWA** – Trzeba unikać wszelkiego niebezpieczeństwa od rozpylanej substancji i zapoznać się z oznakowaniem kontenera albo informacją, którą udzielił producent.
- **NIE ROZPYLAĆ** – Nie rozpylać jakiegokolwiek substancji jeżeli nic nie wiadomo o stopniu jej niebezpieczeństwa.
- **STOSOWAĆ ŚRODKI OCHRONNE DLA OCZY** – Stale stosować odpowiednie środki dla ochrony oczu żeby niebezpieczne opary czy dym nie dostały się do oczu.
- **STOSOWAĆ RESPIRATOR** – Nigdy nie pracować z rozpylaczem bez respiratoru.
- **TRZEBA CHRONIĆ USZY** – Trzeba stosować środki ochrony uszy, jeżeli ciśnienie dźwiękowe przekracza 85 dB (A).
- **TRZEBA PRZEPROWADZAĆ OBSŁUGĘ INSTRUMENTU** – Rozpylacz, kontener dla farby i dysze powinny być czystymi. Nie oczyszczać przy pomocy płynów łatwopalnych z punktem zapłonu niżej 32 °C. Okresowo sprawdzajcie wyjście siłowe i w wypadku uszkodzenia zamienić go musi wykwalifikowany pracownik.
- **OTWARTY OGIEŃ** – Nigdy nie rozpylać w pobliżu otwartego ognia albo zapłonu urządzenia.
- **PALENIE** – Podczas rozpylania obowiązują zakaz palenia.
- **ROZCIEŃCZANIE** – Przed użyciem farby albo innych materiałów trzeba obowiązkowo zapoznać się z zaleceniami albo instrukcjami

producenta odnośnie rozcieńczania.

- **ODŁĄCZYĆ DOPLŹYW PRĄDU** – Przy wypełnieniu kontenera dla farby albo przy czyszczeniu rozpylacza trzeba obowiązkowo odłączyć dopływ prądu.
- **JEŻELI NIE PRACUJECIE TRZEBA WYŁĄCZAĆ** – Unikać pracy urządzenia z całkowicie zamkniętą rączką sterowania zużyciem w ciągu każdego czasu.



Nie bierzemy na siebie odpowiedzialność za uszkodzenia spowodowane stosowaniem nie odpowiednich substancji albo nieprawidłowo rozcieńczonych farb, a także za niebezpieczeństwo dla zdrowia, powstałe w wyniku braku wentylacji.

Natychmiast wyłączyć rozpylacz w

następujących wypadkach:

- Pięknięcia wtyczki, przewodu siłowego, uszkodzenie przewodu siłowego.
- Uszkodzenia wyłącznika.
- Dym albo nieprzyjemny zapach spalonej izolacji.

Bezpieczeństwo związane z elektryczną ością

Pod czas wykorzystania urządzenia elektrycznego należy zawsze przestrzegać odpowiednie przepisy bezpieczeństwa, które są ważne w Waszym kraju w celu zmniejszenia ryzyka pożaru, porażenia prądem elektrycznym oraz zranienia personelu.



Sprawdzić, czy napięcie sieciowe jest zgodne z parametrami na tabliczce znamionowej.



II klasy – Izolacja podwójna – Wasze gniazdo nie potrzebuje uziemienia.

Wymiana przewodów lub wtyczek

Jeśli przewód sieciowy zostanie uszkodzony, należy go wymienić na specjalny przewód sieciowy dostępny u producenta lub w jego dziale obsługi klienta. Wyrzucić stare przewody i wtyczki zaraz po ich wymianie na nowe. Niebezpieczne jest wkładanie do gniazdka wtyczki przewodu, który nie jest podłączony do urządzenia.

W przypadku zastosowania przedłużaczy

Należy stosować odpowiednie przedłużacze przystosowane do mocy urządzenia. Żyły takiego kabla muszą mieć minimalny przekrój 1,5 mm². Jeśli kabel przedłużający jest nawinięty na bęben, należy go całkowicie rozwinąć.

3. PRZEPISY EKSPLOATACJI

Przygotowanie do pracy

Rys. B



Nie stosować farby malarskie albo powłokę z teksturą gdyżone zatykają dyszę.

Żeby osiągnąć najlepsze skutki, przed rozpoczęciem pracy z rozpylaczem trzeba przygotować powierzchnię dla malowania i rozcieńczyć farbę do otrzymania potrzebnej lepkości.

Na powierzchni przygotowanej do malowania nie powinno być zanieczyszczeń, kurzu i smaru. Sprawdźcie, że miejsca które nie będziecie malować, są osłonięte jakościową taśmą maskowniczą. Farba albo płyn do rozpylenia muszą być dokładnie mieszane i nie zawierać grudek albo innych cząstek. Rozpylaczem można nanosić liczne substancje, ale przed nabyciem farby dla rozpylenia trzeba uważnie zapoznać się z zaleceniami producenta.

Rozcieńczanie



Nie zapominajcie odłączać dopływ prądu przed zaopatrzeniem kontenera dla farby w rozpylaną substancję.

Wiele farb są już gotowe do naniesienia przy pomocy pędzla i potrzebują rozcieńczenia dla naniesienia rozpylaczem. Trzeba przestrzegać przepisów producenta odnośnie rozcieńczenia farby dla stosowania w rozpylaczu. Czasza dla ustalenia lepkości pomoże ustalić właściwą lepkość. Dla ustalenia właściwej lepkości trzeba zapłacić czaszę farbą do otoczki. Zanotujcie, ile czasu jest potrzebne żeby farba wyciekła do blaszanki z powrotem. Tabela wskazuje zalecany czas dla różnych materiałów.

Farba plastyczna i lateksowa	24 - 28 sekund
Farba emulsyjna	20 - 25 sekund
Podkłady	24 - 28 sekund
Lakiery	20 - 25 sekund
Farba olejna	18 - 22 sekund
Emalie	18 - 22 sekund
Farby aluminiowe	22 - 25 sekund
Przeciwkoroz. dla samochodów	25 - 35 sekund
Podkłady dla drzewna	28 - 35 sekund
Antyseptyki dla drzewna	Rozcieńczanie nie potrzebne
Zaprawa dla drzewna	Rozcieńczanie nie potrzebne

Jeżeli czas, za który farba wycieka, przekracza czas zalecany, farbę trzeba rozcieńczyć. Dodajcie niewielką ilość odpowiedniego rozcieńczalnika i znów sprawdźcie lepkość do otrzymaniażądanego stopnia. Niektóre rozpylane materiały zawierają grudki i cząstki. Takie materiały trzeba przedcedzić przed zalewaniem do konteneru z farbą.

Rozpylenie

Rys. C

Odpowiednie rozcieńczoną i przedcedzoną farbą wypełnijcie kontener. Podłączyć rozpylacz do dopływu prądu. Skierować rozpylac na jakikolwiek niepotrzebny materiał i nacisnąć wyłącznik do początku rozpryskiwania farby. Wyregulować rączkę sterującą rozpyleniem (2) do otrzymaniażądanego objętości rozpylenia. Dla zmniejszenia zużycia przekręć rączkę sterującą rozpyleniem zgodnie ze wskazówką zegarową (B), a dla zwiększenia zużycia – przeciwko wskazówki zegarowej (B). Regulacja rączki sterującej rozpyleniem ustala i charakter rozmieszczenia rozpylonej substancji. Przy nie jakościowym charakterze rozmieszczenia farba będzie gromadzić się w środku i stwarzać nierównomierne malowanie po brzegach. Jakościowe rozpylenie stwarza równomierne rozmieszczenie farby na powierzchni naniesienia.

Sposoby rozpylenia

Rys. D

Dla otrzymania najlepszych wyników stale trzymać rozpylacz równo i równoległe powierzchni. Trzymać dyszę w odległości 25 - 30 cm od powierzchni i równomiernie rozpylać ruchem z strony w stronę albo w górę i w dół. Nie rozpylać pod kątem, bowiem farba się rozplynie. Ruchy powiiny być równe i płynne. Przymalowaniu welkich powierzchni najlepiej malować jak wskazuje rysunek.

Rys. E

Nigdy nie zaczynać i nie zakańczać rozpylenia, jeżeli rozpylacz jest nakierowany na malowaną powierzchnię. Równomiernie regulujcie prędkość ruchu rozpylacza. Wysoka prędkość ruchu na powierzchni pociągnie za sobą tworzenie cienkiej powłoki podczas gdy powolny ruch daje grubą powłokę. W jeden raz nanosicie jedną powłokę. Jeżeli jest potrzebne naniesienie jeszcze jednej powłoki, obowiązkowo przestrzegajcie przepisów producenta co do terminu wysychania zanim nanosić drugą powłokę. Przy malowaniu niewielkich powierzchni trzeba nastawić ręczkę sterującą rozpyleniem na małą wartość, to pozwoli uniknąć zbędnego zużycia farby i zbyt wielkiego rozpylenia. W miarę możliwości unikajcie zatrzymań i ponownego uruchomienia rozpylacza przy malowaniu obiektu. To może doprowadzić do zbyt wielkiej albo niewystarczającej ilości rozpylanej farby. Nie schylajcie rozpylacz więcej niż na 45°.

Instalowanie i zastawanie giętkiej dyszy**Rys. F**

Giętkie przedłużające urządzenie dla dyszy stosuje się dla malowania płaskich albo poziomych powierzchni. Także stosuje się w miejscach z ograniczonym dostępem. W celu instalowania odkręcić dyszę w kształcie kosza i na jej miejsce podłączyć giętką dyszę. Dyszę w kształcie kosza pomieścić na końcu giętkiego przedłużającego urządzenia i zaciągnąć.

4. ZASTOSOWANIE

Przed przystąpieniem do konserwacji silnika, sprawdź czy wtyczka jest odłączona od sieci.

Urządzenia te zostały skonstruowane w celu długotrwałego działania z minimalną ilością serwisowania. Żywotność można przedłużyć regularnym czyszczeniem i właściwym posługiwaniem się urządzeniem.

Usunięcie usterek**1. Silnik ryczy, ale nie rozpyła albo rozpyła nierregularnie**

- Zużyta głowica wirująca
- *Trzeba wymienić głowicę wirującą.*

- Kombinowana rurka dla farby ma nieprawidłowe położenie.
- *Trzeba wyregulować kombinowaną rurkę.*
- Zatkana kombinowana rurka dla farby.
- *Oczyszczyć ją rozcieńczalnikiem.*
- Zatkana dysza.
- *Oczyszczyć dyszę.*
- Zatkany filtr.
- *Oczyszczyć rozcieńczalnikiem.*
- Rączka sterowania wymaga regulacji.
- *Wyregulować.*

2. Rozpylenie niezbyt dobrej jakości

- Nieprawidłowa regulacja objętości.
- *Wyregulować.*
- Zbyt gęsta farba
- *Sprawdzić lepkość farby.*

3. Dopływ nadmiernej ilości farby

- Rozpylacz nie był oczyszczony i posmarowany, dlatego tłok zaklinia w cylindrze.
- *Rozebrać rozpylacz i oczyścić rozcieńczalnikiem.*
- Zbyt wiele farby.
- *Wyregulować objętość, dla zmniejszenia skręcać zgodnie ze wskazówką zegarową. Dwie cienkich powłoki lepiej niż jedna gruba.*
- Zbyt niska lepkość.
- *Sprawdzić lepkość.*

4. Silnik ryczy głośniejsze niż zawsze

- Rozpylacz nie był oczyszczony i posmarowany, dlatego tłok zaklinia w cylindrze.
- *Rozebrać rozpylacz i oczyścić rozcieńczalnikiem.*

5. Ani rozpylenia, ani dźwięku

- Brak prądu
- *Sprawdzić dopływ prądu.*

6. Nieprawidłowy dźwięk roboczy

- Zła regulacja rozpylenia.
- *Wyregulować.*
- Za mało farby w kontenerze, co powoduje zasysanie.
- *Uzupełnić farbę.*
- Nieprawidłowo rozcieńczona albo nie całkowicie przechodzi przez kombinowaną rurkę.
- *Sprawdzić kombinowaną rurkę i stopień lepkości.*

7. Nadmierna mgła "skórka pomarańczowa"

- Stosowanie nieodpowiedniego rozpuszczalnika.
 - *Stosować właściwy rozpuszczalnik.*
- Rozpylacz znajduje się zbyt daleko od powierzchni.
 - *Trzymać rozpylacz bliżej obiektu.*
- Zbyt gęsta farba
 - *Rozcieńczyć farbę*

Czyszczenie i przegląd techniczny

Rys. G



Nie zapominajcie odłączając dopływ prądu przed czyszczeniem rozpylacza albo kontenera dla farby.

Bardzo ważnym jest dokładne czyszczenie rozpylacza po każdym użyciu. Jeżeli nie przestrzegać tej zasady, w następny raz rozpylacz nie będzie pracować w wyniku zatkania! Gwarancja nie rozpowszechnia się na czyszczenie rozpylacza, który nie był we właściwy sposób oczyszczony przez użytkownika. Po każdym użyciu trzeba wykonywać następujące czynności:

- Wylać pozostały materiał z kontenera.
- Dokładnie oczyścić kontener rozcieńczalnikami, który stosował się dla farby.
- Wlać trochę rozcieńczalnika do konteneru i przepuszczać przez rozpylacz, dopóki z dyszy nie zacznie rozchlapywać się tylko jeden rozcieńczalnik.
- Dokładnie oczyścić rozcieńczalnikiem kombinowaną rurkę dla farby i filtr.
- Oczyszczyć kosz i dyszę, usunąć każde pozostałe śmieci albo farbę.
- Przewrócić rozpylacz do góry nogami i powlec kilka kropli płynnego oleju na dwa otwory (F). W ten sposób zostaną posmarowane tłok i cylinder.

Jeżeli dla rozpylacza jest potrzebne dodatkowe wewnętrzne czyszczenie, trzeba go rozebrać. W takim wypadku są wykonywane następujące czynności:

- Wyciągnąć wtyczkę z gniazdka wtyczkowego.
- Zdjąć kontener dla farby, kombinowaną rurkę dla farby i filtr.
- Zdjąć zespół pompy.
- Zwolnić dyszę (H), zawór (J), tłok (K) i sprężynę (L).

- Dokładnie oczyścić rozpuszczalnikiem cylinder (M) i wszystkie detale.
- Posmarować kilkoma kroplami płynnego oleju tłok, sprężynę i cylinder.
- Zmontować rozpylacz.

Smarowanie

Urządzenie nie trzeba smarować.

Usterki

W razie wystąpienia usterki jako wyniku „zmęczenia” części, należy skontaktować się z centrum serwisowym podanym na karcie gwarancyjnej. Na końcu niniejszej instrukcji jest obszerny spis części, które można zamówić.

SRODOWISKO

Aby zapobiec uszkodzeniu w trakcie transportu, urządzenie może być dostarczone w opakowaniu trwałym. Większa część opakowania składa się z materiałów zdolnych do recykacji. Dlatego opakowanie należy zrecyklować.



Uszkodzone oraz /lub wybrakowane urządzenie elektryczne lub elektroniczne musi być utylizowane w odpowiedni sposób.

Tylko dla krajów Komisji Europejskiej

Nie wolno wyrzucać elektronarzędzi do domowych śmietników. Zgodnie z Dyrektywą Europejską nr 2012/19/EU dotyczącą Utylizacji Wyposażenia Elektrycznego i Elektronicznego i jej wdrożeniem w krajowe prawo, nieużywane elektronarzędzia należy gromadzić oddzielnie i utylizować w sposób przyjazny dla środowiska.

GWARANCJA

Należy zapoznać się z warunkami gwarancyjnymi na osobnej karcie gwarancyjnej.

Produkt i podręcznik użytkownika może ulec zmianom. Dane techniczne mogą ulec zmianie bez obowiązku powiadomienia użytkownika.

ELEKTRINIS DAŽŲ PURKŠTUVAS SGM1012

Ačiū, kad įsigijote šį „Ferm“ gaminį. Dabar turite puikų gaminį, kurį pateikia vieni svarbiausių Europos tiekėjų. Visi „Ferm“ tiekiami gaminiai yra pagaminti pagal aukščiausius veikimo ir saugos standartus. Be to, mes užtikriname puikią techninę priežiūrą, pagrįstą mūsų visapusiška garantija. Mes tikimės, kad šis įrankis puikiai tarnaus jums ilgus metus.

Šiame tekste esantys skaičiai atitinka 2-3 psl. esančius paveikslėlius.



Prieš naudodami šį prietaisą, atidžiai perskaitykite naudojimo instrukciją. Susipažinkite su jo funkcijomis ir baziniu veikimu. Atlikite prietaiso techninės priežiūros darbus, vadovaudamiesi šia instrukcija, kad jis visada tinkamai veiktų. Naudojimo instrukcija ir su ja pateikiami dokumentai privalo būti laikomi šalia šio prietaiso.

Turinys

1. Techniniai duomenys
2. Saugos instrukcija
3. Naudojimo instrukcija
4. Techninė priežiūra

1. TECHNINIAI DUOMENYS

Įtampa	220-240 V~
Srovės dažnis	50 Hz
Galios įvestis	110 W
Maksimalus antgalio srauto greitis	300 ml/min.
Bakelio talpa	800 ml
Antgalio skersmuo	0,8 mm
Svoris	1.75 kg
Garso slėgio lygis LPA	91 dB(A)
Garso galios lygis LWA	102 dB(A)
Vibracija	11.53 m/s ²

Patikrinkite, ar gabenimo metu neatsilaisvino ir ar nebuvo pažeistos įrankio dalys ir priedai.

Vibracijos lygis

Vibracijos sklaidos lygis, nurodytas ant šio instrukcijų vadovo užpakalinio viršelio, išmatuotas pagal standarte EN 60745 išdėstytus standartizuoto bandymo reikalavimus; ši vertė gali

būti naudojama vienam įrankiui palyginti su kitu bei išankstiniam vibracijos poveikiui įvertinti, kai įrankis naudojamas paminėtais būdais:

- naudojant įrankį kitokiais būdais arba su kitokiais bei netinkamai prižiūrimais priedais, gali žymiai padidėti poveikio lygis;
- laikotarpiams, kai įrankis išjungtas arba yra įjungtas, tačiau juo nedirbama, gali žymiai sumažėti poveikio lygis.

Apsisaugokite nuo vibracijos poveikio prižiūredami įrankį ir jo priedus, laikydami rankas šiltai ir derindami darbo ciklus su pertraukėlėmis.

Gaminio informacija

A pav.

1. Variklio korpusas
2. Išvesties valdiklis
3. Svirtinis jungiklis
4. Rankena
5. Dažų bakelis
6. Dažų purškimo antgalis
7. Klampumo nustatymo indelis

2. SAUGOS TAISYKLĖS

Instrukcijoje naudojami šie simboliai:



Reiškia susižeidimo pavojų, pavojų gyvybei ar irankio sugadinimo gresme nesilaikant instrukcijos nurodymu.



Reiškia elektros smūgio pavojų.



Mūvėkite apsaugines pirštines.



Devėkite respiratorių. Dirbant su medžiu, metalu, ar kitomis medžiagomis, i ora pakyla sveikatai kenksmingu dulkiu. Nedirbkite su medžiagomis, kuriu sudetyje yra asbesto!



Dėvėkite akių apsaugas.

Additional safety instructions

- NEVER SPRAY AT PERSONS - Never aim the nozzle at another person or animal. Never allow the spray to come into direct contact with the skin.

- **FLASH POINT** - This spray gun must not be used for spraying flammable paints and solvents with a flash point of less than 32 °C
- **VENTILATION** - Always make sure that there is adequate ventilation in the work area when spraying.
- **BASKET NOZZLE** - Always keep the spray basket nozzle in place during use.
- **CONSIDER WORK AREA ENVIRONMENT** – Do not use spray guns where there is a risk of fire or explosion.
- **BEWARE OF ANY HAZARD** - Beware of any Hazard by the material being sprayed and consult the markings on the container or the information supplied by the manufacturer.
- **DO NOT SPRAY** - Do not spray any material where the hazard is not known.
- **USE EYE PROTECTION** - Always use appropriate eye protection to keep hazardous vapours or fumes out of the eyes.
- **WEAR A MASK** - Never operate a spray gun without wearing a face mask.
- **PROTECT YOUR EARS** - Wear ear protectors if the sound pressure exceeds 85 dB(A).
- **MAINTAIN YOUR TOOLS** - Keep your spray gun, paint container and nozzles clean. Do not clean with flammable liquids with a flash point less than 32 °C Inspect the mains lead periodically and if damaged have it replaced by a qualified person.
- **NAKED FLAMES** - Never spray near a naked flame or appliance pilot flame.
- **SMOKING** - Never smoke whilst spraying.
- **THINNING** - Always read the paint manufacturers thinning recommendations or instructions before using paint or other materials.
- **DISCONNECT FROM THE MAINS SUPPLY** - Always disconnect from the mains supply when filling the paint container or cleaning the spray gun.
- **SWITCH OFF WHEN NOT SPRAYING** – Avoid running the unit with the flow rate knob fully closed for any length of time.



We accept no responsibility for damage caused by the use of unsuitable substances, or paints that have not been thinned correctly, and any health hazards that arise from lack of adequate ventilation.

Immediately switch off the spray gun when:

- Interruption in the mains plug, mains lead or mains lead damage.
- Defect switch.
- Smoke or stench of scorched isolation

Apsauga nuo elektros

Naudodami elektrinius įrenginius visuomet laikykitės jūsų šalyje taikytinų saugos nuostatų, kad sumažintumėte gaisro, elektros smūgio ir susižeidimo pavojų. Perskaitykite šiuos saugos nurodymus, o taip pat ir pridėtus papildomus saugos nurodymus.



Visada patikrinkite, ar maitinimo tinklo įtampa atitinka įtampą, nurodytą techninių duomenų plokštelėje.



II klasės prietaisas - dviguba izoliacija - Nereikia jokio įžeminto kištuko.

Laidų arba kištukų keitimas

Nedelsiant išmeskite senus laidus ar kištukus kuomet jie buvo pakeisti naujais. Pavojinga įstatyti plyšusio laido kištuką į rozetę sienoje.

Prailgintuvų naudojimas

Naudokite tik aprobuotus pailginimo kabelius, tinkamus įrenginio maitinimo kabelio kištukui. Minimalus laidininko skerspjuvio plotas yra 1.5 mm². Naudodami kabelio rit' visuomet pilnai ją išvyniokite.

3. NAUDOJIMO INSTRUKCIJA

Pasiruošimas

B pav.



Nenaudokite tekstūrinių sienų dažų arba dangų, nes šios medžiagos užkims antgalį.

Norint pasiekti geriausių rezultatų, prieš naudojant purkštuvą, svarbu paruošti paviršių, kuris bus purškiamas, ir tinkamai atskiesti dažus. Paviršiai, kuriuos purkšite, visada turi būti švarūs, be dulkių ir riebalų. Vietas, kurių purkšti nereikia, visada tinkamai užmaskuokite, naudodami geros kokybės maskavimo juostą. Dažai arba skystis, kurį purkšite, turi būti tinkamai išmaišytas, be gumulėlių ir kitų dalelių. Purkštuvu galima purkšti

įvairias medžiagas, bet, prieš purkšdami dažus, visada perskaitykite jų gamintojų rekomendacijas.

Skiedimas

Niekada nepamirškite atjungti purkštuvu nuo elektros tinklo, prieš pildydami dažų bakelį medžiaga purškimui.

Daugelis dažų parduodami paruošti dažymui šepčiais ir prieš purškiant juos reikia tinkamai atskiesti. Vadovaukitės gamintojų patarimais, kaip atskiesti dažus purškimui purkštuvu. Klampumo nustatymo indelis padės nustatyti tinkamą naudojamų dažų klampumą. Norėdami nustatyti tinkamą klampumą, pripilkite dažų į indelį iki pat krašto. Suskaičiuokite, per kiek laiko dažai iš indelio subėgs atgal į skardinę.

Toliau esančioje lentelėje nurodytos rekomenduojamos skirtingų rūšių medžiagų laiko vertės.

Plastikiniai ir latekso dažai	24–28 sek.
Vandeniniai dažai	20–25 sek.
Gruntas	24–28 sek.
Lakai	20–25 sek.
Aliejiniai dažai	18–22 sek.
Emalio dažai	18–22 sek.
Aliuminio dažai	22–25 sek.
Automobilių antikoroziniai dažai	25–35 sek.
Medienos sandarinimo priemonės	28–35 sek.
Medienos apsauginės priemonės	Skiesti nereikia
Medienos beicas	Skiesti nereikia

Jeigu dažai išteka per ilgesnį laiką nei rekomenduojama, juos reikia atskiesti. Įmaišykite nedidelį kiekį tinkamo skiediklio ir atlikite klampumo bandymą – kartokite šiuos veiksmus tol, kol dažnai bus tinkamo tirštumo. Kai kuriose purškiamose medžiagose būna dalelių ir gumulėlių. Šias medžiagas reikia perkošti, prieš pilant jas į dažų bakelį.

Purškimas

C pav.

Pripilkite į dažų bakelį tinkamai atskiestų ir perkoštų dažų. Įjunkite purkštuvu kištuką į elektros lizdą. Nukreipkite purkštuvą į bandinį ir spauskite svirtinį jungiklį, kol dažai bus purškiami. Pareguliuokite dažų purškimo valdiklį (2), kol nustatysite reikiamą dažų purškimo srautą. Jeigu srautą norite sumažinti, sukite purškimo

valdiklį pagal laikrodžio rodyklę (B), jeigu norite padidinti – prieš laikrodžio rodyklę (A). Purškimo valdiklio nuostata apsprendžia purškimo būdą. Netinkamai parinkus purškimo būdą, dažai bus koncentruojami purškimo centre, todėl apdaila bus dėmėta. Tinkamas purškimo būdas užtikrins tolygų dažų paskirstymą visame plote.

Purškimo būdai

D pav.

Norėdami pasiekti geriausių rezultatų, laikykite visada purkštuvą lygiai, lygiagrečiai paviršiumi. Antgalį laikykite 25–30 cm atstumu nuo paviršiaus ir tolygiai purškite iš vieno šono į kitą arba aukštyn–žemyn. Nepurškite kampu, kad dažnai nutekės paviršiumi. Purškite sklandžiais, lygiais mostais. Jeigu purškiate didelius plotus, naudokite kryžminį būdą, kaip pavaizduota.

E pav.

Niekada neįjunkite ir neišjunkite purkštuvu, kai jis yra nukreiptas į paviršius, kurį reikia išpurkšti. Purškite paviršius vienodu greičiu. Greitai purškiant paviršius, sluoksnis bus plonas, o lėtai – storas. Vienu metu užpurškite vieną sluoksnį. Jeigu reikia išpurkšti dar kartą, prieš purkšdami antrą sluoksnį, atsižvelkite į gamintojų rekomenduojamą džiuvimo laiką. Purkšdami mažus plotus, pasirinkite mažą srauto valdiklio nuostatą. Tuomet nenaudosite per daug dažų ir jie nenutekės. Jei įmanoma, stenkitės purkšti be perstojo. Antraip galite išpurkšti per daug arba per mažai dažų. Nepakreipkite purkštuvu didesniu nei 45° kampu.

Lankstaus antgalio uždėjimas ir naudojimas

F pav.

Purškiant plokščius arba horizontalius paviršius, reikėtų naudoti lankstaus antgalio ilgintuvą. Jį taip pat reikėtų naudoti ribotos prieigos vietose. Norėdami uždėti lankstų antgalį, atsukite purškimo antgalį ir jo vietoje sumontuokite lankstų antgalį. Lankstaus antgalio gale vėl sumontuokite purškimo antgalį ir jį užveržkite.

4. TECHNINE PRIEŽIURA



Atlikdami variklio techninę priežiūrą įsitikinkite, kad įrankis neprijungtas prie maitinimo tinklo.

Šis įrenginys skirtas ilgalaikiam darbui, prireikiant minimalios techninės priežiūros. Nuolatinis, geras įrankio veikimas priklauso nuo tinkamos įrankio priežiūros ir reguliaraus valymo.

Trikčių šalinimas

1. Variklis veikia, bet dažai nepurškiami arba purškiami su pertrūkiais

- Nusidėvėję sukimo galvutė.
 - *Pakeiskite sukimo galvutę.*
- Netinkamai nustatytas siurbimo vamzdelis.
 - *Tinkamai nustatykite siurbimo vamzdelį.*
- Užsikimšio siurbimo vamzdelis.
 - *Išplaukite tirpikliu.*
- Užsikimšio antgalis.
 - *Atkimškite antgalį.*
- Užsikimšio filtras.
 - *Išplaukite tirpikliu.*
- Reikia sureguliuoti valdymo rankenėlę.
 - *Sureguliuokite.*

2. Netinkamas purškimas

- Netinkamas dažų srautas.
 - *Sureguliuokite.*
- Dažai per tiršti.
 - *Patikrinkite dažų klampumą.*

3. Per didelis dažų tiekimas

- Purkštuvas neišvalytas arba nepateptas tepalu, todėl stūmoklis stringa cilindre.
 - *Išardykite purkštuvą ir išvalykite skiedikliu.*
- Per daug dažų.
 - *Pasukite valdiklį pagal laikrodžio rodyklę, kad sumažėtų dažų srautas. Geriau purkšti du plonus sluoksnius nei vieną storą.*
- Per mažas klampumas.
 - *Patikrinkite klampumą.*

4. Variklis veikia garsiau nei įprastai

- Purkštuvas neišvalytas arba nepateptas tepalu, todėl stūmoklis stringa cilindre.
 - *Išardykite purkštuvą ir išvalykite skiedikliu.*

5. Purkštuvas nepurškia, neskleidžia jokio garso

- Nutrūko elektros tiekimas.
 - *Patikrinkite elektros tiekimą.*

6. Purškiant kyla keistas garsas

- Netinkamai nustatytas dažų srautas.
 - *Sureguliuokite.*

- Bakelyje per mažai dažų, todėl siurbiamas oras.
 - *Pripilkite daugiau dažų.*
- Netinkamai atskiesti dažai arba dažai netinkamai tiekiami siurbimo vamzdeliu.
 - *Patikrinkite siurbimo vamzdelį ir klampumo lygį.*

7. Susidaro per didelis dažų rūkas, „apelsino žievelės“ lupimo efektas

- Naudojamas netinkamas skiediklis.
 - *Naudokite tinkamą skiediklį.*
- Purkštuvas laikomas per toli nuo paviršiaus.
 - *Laikykite purkštuvą arčiau purškiamo ruošinio.*
- Dažai per tiršti.
 - *Atskieskite dažus.*

Valymas ir techninė priežiūra

G pav.



Niekada nepamirškite atjungti purkštuvo nuo elektros tinklo, prieš valydami purkštuvą arba dažų bakelį.

Po kiekvieno naudojimo būtina kruopščiai išplauti purkštuvą. Antraip jis beveik be abejonų užsikimš ir kitą kartą tikriausiai neveiks! Garantija nebegalios, jeigu purkštuvas neveiks dėl to, kad naudotojas jo neplaus. Po kiekvieno naudojimo būtinai atlikite šiuos veiksmus:

- Išpilkite iš bakelio visą jame likusią medžiagą.
- Kruopščiai išplaukite bakelį skiedikliu, kurį naudojote.
- Įpilkite į bakelį šiek tiek skiediklio ir išpurškite jį visą purkštuvu.
- Kruopščiai skiedikliu išplaukite dažų siurbimo vamzdelį ir filtrą.
- Išplaukite dažų purškimo antgalį ir pašalinkite bet kokius likusius nešvarumus ar dažus.
- Apverskite purkštuvą ir įlašinkite į abi angas (F) kelis lašus neklampios alyvos. Bus patepti stūmoklis ir cilindras.

Jeigu prireiktų papildomai išvalyti purkštuvo vidų, jį reikia išardyti. Tokiu atveju atlikite toliau nurodytus veiksmus:

- Ištraukite kištuką iš elektros tinklo lizdo.
- Nuimkite dažų bakelį, siurbimo vamzdelį ir filtrą.
- Nuimkite siurblij.
- Atlaisvinkite antgalį (H), sklendę (J), stūmoklį (K) ir spyruoklę (L).

- Kruopščiā īšvalyķite cilindrā (M) īr visas dalīs tīrpīķļu.
- Patepķite stūmōķļī, spyruōķļē īr cilindrā ķelīais lašais neķlampīos alyvos.
- Surīķķite purķstūvā.

Tepīmas

Šīo prietaiso papīldomāi teptī nerekīķā.

Gedīmai

Jeīgu īvķķtķ kōķ nōrs gedīmas dēļ nusīdēvējūsīos detālēs, ķreīpķītēs ī ķarantīnēķē ķortelēķē nurodytā tehņīnēs prīeķīūros ķentrā. Šīos īnstrukcījos gale rasīte īšsamķ detālīū, ķurīas ķalīma uķsīsakyķī, sārāšā.

APLINKOSAUGA

Norīnt apsāugōtī nūo sugādīnīmo gābenīmo metū, šīs īreņģīnys prīstatomās ķīetoķē pakuotēķē. Ķāī tīķ īķmanōmā, pakuotē yra ķamīnamā īš ķerdīrbtķ ķālīavķ, todēļ pāsīnāudōķīte ķalīmyķē rūšīuōtī atlēķās īr tīķķamāī īšmesķīte pākāvīmo medķīagās. Ķeīsdāmī īreņģīnķī nāujū, senāķī atīduōķīte vīetos atstovūī. Ķīa īīs bus utīlīzūotās aplīķķāī neķenķksmīngū būdū.



Sugādīntus īr (arķā) senus elektrīnīus ar elektronīnīus prīetaīsus prīvalōmā atīduōtī ī spēcīālīai tam skīrtus atlēķķ sūrīķķīmo pūķķtus.

Taīķomā tīķ EB šālīms

Neīšmesķīte elektrīnīū īrankīū ķartū sū īprāstomīs būītīnēmīs atlēķōmīs. Atsīķvēļģīant ī ES Dīrektyvā 2012/19/EU dēļ elektrīnīū īr elektronīnīū īreņģīnīū ķeī jōs īķķvēndīnīmā pāķāl nacionālīnīus teīses aktus, vīsī elektrīnīāī īrankīāī prīvalō būtī sūrēķķamī atskīrāī nūo būītīnīū atlēķķō ķeī ķerdīrbāmī tokīū būdū, ķād nebūtū daromā ķālā aplīķķāī.

GARANTIJA

Persāķyķķīte ķarantīnes sārķyģās, pāteīķķtas atskīrāī prīdēķōķē ķarantīķjos ķortelēķē.

Gamīnys īr nāudōķīmo īnstrukcīķā gālī būtī ķeīķāmī. Tehņīnīāī duomenys gālī būtī ķeīķāmī ne īšāķķstīnīo īspeķīmo.

ELEKTRISKĀ SMIDZINĀŠANAS PISTOLE

SGM1012

Pāteīķāmīes, ķā īegādāķāķīes šō Ferm īzstrādāķjūmū. Tagād ķums pīdēr līelīķķs īzstrādāķjūmķ, ķō īzķatavōķīs vīens nō Eīropās vādōšāķīem rāķotāķīem. Vīsī īzstrādāķjūmī, ķō rāķōķīs Ferm, īr īzķatavōtī atbīlstošī vīsāugstāķāķīem veīķķspēķās un drošīķbas stāndārtīem. Mūsu fīlozōfīķās pāmātā ī arī īzķīlķs ķlīentū apķālķpošānas servīss, ķas īetīlpst mūsu dāudķzpusīģāķā ķarantīķā. Mēs ķeram, ķā šō īzstrādāķjūmū ar prīekū līetosīet ķādīem īķģī.

Tekstā norādītīes numūrī atteīķās uz 2-3 īpp. redzāmāķīem atteīlēm.



Pīrms īnstrumentā eksplūatāķīķās rūpīģī īzlasīet līetošānas rokāsģrāmātū. īepazīstīetīs ar tās fūķķcīķām un pāmātā darbībū. īerīķes apķōpī veīķīet sāsķāķņā ar īnstrukcīķām, lāī nodrošīnātū, ķā tā vīenmēr darboķās pāreķī. Līetošānas rokāsģrāmātā un pīvīenōtā dōķumentāķīķā īr jāuzģķlāķā šī īnstrumentā tūvumā.

Saturs

1. Tehņīskīs dātī
2. Drošīķbas norādīķjūmī
3. Eksplūatāķīķās norādīķjūmī
4. Apķōpe

1. TEHNISKIE DATI

Spīreķģums	220-240 V~
Frekvencē	50 Hz
īeeķās ķaudā	110 W
Māķsīmāķāīs sprāusķās pūķsmās āķķrums	300 ml/mīn
Tvērtnēs tīlpūms	800 ml
Sprāusķās dīāmetrs	0,8 mm
Svārs	1,75 ķķ
Sķānas spīedīenā līmenīs LPA	91 dB(A)
Sķānas ķaudās līmenīs LWA	102 dB(A)
Vībrāķīķā	11,53 m/s ²

Pārģaudīet, vāī īnstrumentām, vāļģģām detālģm vāī pīdērūmīem tīransķortēšānas lāīķā nāv radūšīs bojāķjūmī.

Vibrācijas līmenis

Šis rokasgrāmatas aizmugurē ar zvaigznīti norādītais vibrācijas emisiju līmenis mērīts, izmantojot standartā EN 60745 paredzēto testu; to var izmantot, lai salīdzinātu instrumentus un provizoriski izvērtētu vibrācijas iedarbību, lietojot instrumentu minētajiem mērķiem:

- instrumenta izmantošana citiem mērķiem vai ar citiem vai nepietiekami koptiem piederumiem var ievērojami palielināt iedarbības līmeni;
- laika periodi, kad instruments ir izslēgts vai arī ir ieslēgts, taču ar to nestrādā, var ievērojami samazināt iedarbības līmeni.

Pasargājiet sevi no vibrācijas ietekmes, veicot instrumenta un tā piederumu tehnisko apkopi, gādājot, lai rokas ir siltas, un organizējot darba gaitu.

Izstrādājuma informācija

A. att.

1. Motora korpus
2. Izvades kontrole
3. Mēlītes slēdzis
4. Rokturis
5. Krāsas tvertne
6. Smidzināšanas konusveida sprausla
7. Viskozimētris

2. DROŠĪBAS INSTRUKCIJAS

Instrukcijā izmantoti šie simboli



Apzīme ievainojuma, naves vai instrumenta bojājuma risku, ja netiek ieveroti šajā rokasgrāmata sniegtie norādījumi.



Apzīmē elektriskās strāvas trieciena risku.



Valkājiet aizsargcimdus.



Valkājiet putekļu masku. Strādājot ar koksni, metāliem un citiem materiāliem, var izcelties putekli, kas ir kaitīgi veselībai. Neapstrādājiet materiālu, kura sastava ir azbests!



Valkājiet acu aizsargus.

Papildu drošības norādījumi

- NESMIDZINIET UZ CILVĒKIEM. Sprauslu nedrīkst vērst pret cilvēkiem vai dzīvniekiem. Smidzināmais šķidrums nedrīkst nonākt tiešā saskarē ar ādu.
- UZLIESMOŠANAS PUNKTS. Šo smidzināšanas pistoli nedrīkst lietot tādu uzliesmojošu krāsu un šķīdinātāju smidzināšanai, kuru uzliesmošanas punkts ir mazāks par 32 °C.
- VENTILĀCIJA. Smidzināšanas darba zonā vienmēr jābūt nodrošinātai pietiekamai ventilācijai.
- KONUSVEIDA SPRausLA. Darba laikā konusveida sprauslai vienmēr ir jābūt uzstādītai vietā.
- NĒMIET VĒRĀ DARBA ZONAS VIDĪ. Nelietojiet smidzināšanas pistoli vietā, kur pastāv ugunsgrēka vai sprādziena risks.
- NĒMIET VĒRĀ BĪSTAMĪBU. Ņemiet vērā bīstamību, ko var radīt smidzināmā viela; iepazīstieties ar atzīmēm vielas uz iepakojuma vai ražotāja sniegto informāciju.
- NESMIDZINIET. Nesmidziniet vielas tādās vietās, kur nav zināmi bīstamie faktori.
- LIETOJIET ACU AIZSARGUS. Vienmēr valkājiet acu aizsargus, lai acīs neieķīlūtu kaitīgi izgarojumi vai tvaiki.
- VALKĀJIET MASKU. Strādājot ar smidzināšanas pistoli, vienmēr jāvalkā sejas maska.
- AIZSARGĀJIET AUSIS. Valkājiet ausu aizsargus, ja skaņas spiediens pārsniedz 85 dB(A).
- VEICIET INSTRUMENTA APKOPI. Rūpējieties, lai smidzināšanas pistola, krāsas tvertne un sprauslas vienmēr būtu tīras. Tīrīšanai neizmantojiet uzliesmojošus šķidrums, kuru uzliesmošanas punkts ir mazāks par 32 °C. Periodiski pārbaudiet barošanas vadu un, ja tas bojāts, uzticiet tā nomaiņu kvalificētam speciālistam.
- ATKLĀTA LIESMA. Nekad nesmidziniet atklātas uguns vai ierīces kontroldegļa tuvumā.
- SMĒĶĒŠANA. Smidzināšanas laikā nedrīkst smēķēt.
- ATŠĶAIDĪŠANA. Pirms krāsas vai citu vielu lietošanas vispirms izlasiet krāsas ražotāja ieteikumus vai norādījumus par atšķaidīšanu.
- ATVIENOJIET NO ELEKTROTĪKLA BAROŠANAS AVOTA. Uzpildot krāsas tvertni vai tīrot smidzināšanas pistoli, tā ir jāatvieno no elektrotīkla barošanas avota.
- IZSLĒDZIET SMIDZINĀŠANAS

PĀRTRAUKUMOS. Instrumentu ilgstoši nedrīkst darbināt ar pilnībā aizvērtu plūsmas ātruma kloķi.



Mēs neuzņemamies atbildību par bojājumiem, kas radušies, lietojot nepiemērotas vielas vai nepareizi atšķaidītas krāsas, un kaitējumu veselībai, ko izraisījis nepietiekama ventilācija.

Nekavējoties izslēdziet smidzināšanas pistoli, ja:

- barošanas vadā vai kontaktdakšā rodas pārrāvumi vai barošanas vads ir bojāts
- slēdzis ir bojāts.
- apdegusi izolācija dūmo vai smako.

Elektriskā drošība

Ekspluatējot elektriskos instrumentus, vienmēr ievērojiet jūsu valstī spēkā esošos drošības noteikumus, lai mazinātu ugunsgrēka, elektriskā trieciena un ievainojuma risku. Izlasiet šeit minētos drošības norādījumus, kā arī pievienotos drošības norādījumus.



Pārbaudiet, vai barošanas avota spriegums atbilst kategorijas plāksnītē norādītajam spriegumam.



II kategorijas instruments; dubulta izolācija; nav jālieto iezemēta kontaktdakša.

Kabeļu un kontaktspraudņu nomainīšana

Nekavējoties izmetiet vecos kabeļus un kontaktspraudņus, kad esat tos nomainījuši pret jauniem. Ir bīstami ievietot kontaktspraudni vai vaļēju kabeli sienas kontaktligzdā.

Pagarinātāju izmantošana

Lietojiet tikai sankcionētus pagarinātājus, kas ir piemēroti mašīnas padeves jaudai. Minimālais vada šķēsgriezums ir 1.5 mm². Izmantojot kabeļa spoli, vienmēr spoli pilnīgi iztīniet.

3. EKSPLUATĀCIJAS NORĀDIJUMI

Sagatavošana

B. att.



Nelietojiet teksturētas sienas krāsas vai pārklājumus, citādi sprausla tiks nosprostota.

Lai panāktu maksimāli labu efektu, pirms smidzināšanas pistoles lietošanas vispirms ir svarīgi sagatavot apsmidzināmo virsmu un atšķaidīt krāsu līdz pareizajai viskozitātei. Vienmēr pārlicinieties, ka uz apsmidzināmajām virsmām nav putekļi, netīrumi un taukvielas. Pārlicinieties, ka tās vietas, kuras nevajag apsmidzināt, ir apsegtas ar kvalitatīvu līmlenti. Izsmidzināmajai krāsai vai šķidrums jābūt kārtīgi samaisītai, lai tajā nebūtu kunkuļu vai citu daļiņu. Ar smidzināšanas pistoli var izsmidzināt daudzas vielas, taču pirms krāsas iegādes vienmēr pārbaudiet ražotāja ieteikumus.

Atšķaidīšana



Pirms krāsas tvertnes uzpildes ar izsmidzināmo vielu nekad neaizmirstiet vispirms atvienot instrumentu no barošanas avota.

Vairums krāsu ir paredzētas uzklāšanai ar otu, tāpēc tās ir jāatšķaida, lai būtu piemērotas izsmidzināšanai. Ievērojiet ražotāja norādījumus par krāsas atšķaidīšanu, lai sagatavotu lietošanai ar smidzināšanas pistoli. Viskozimetrs palīdz noteikt izmantojamās krāsas pareizo viskozitāti. Lai noteiktu pareizo viskozitāti, iepildiet viskozimetra kausā krāsu līdz apmalei. Izmēriet, cik ilgā laikā krāsa iztek no viskozimetra atpakaļ bundžā.

Šajā tabulā ir norādīts ieteicamais laiks dažādu veidu vielām.

Plastmasas un lateksa krāsa	24–28 sekundes
Krāsa uz ūdens bāzes	20–25 sekundes
Gruntskrāsa	24–28 sekundes
Laka	20–25 sekundes
Krāsa uz eļļas bāzes	18–22 sekundes
Emaljas krāsa	18–22 sekundes
Alumīnija krāsa	22–25 sekundes
Auto apakšpuses hermētiķis	25–35 sekundes
Koka hermētiķis	28–35 sekundes
Koka konservants	Nav jāatšķaida
Koka kodne	Nav jāatšķaida

Ja krāsošana ir ilgāka par ieteikto izlietošanas laiku, tad papildus jāpielieto atšķaidīšana. Sajauciet nelielu daudzumā ar atbilstošu šķīdinātāju un izmantojiet viskozitātes testu, līdz ir panākta vajadzīgā viskozitāte. Atsevišķi izsmidzināmie materiāli satur daļiņas un kunkuļus. Šie materiāli ir jānofiltrē pirms iepildīšanas krāsu tvertne.

Smidzināšana

C. att.

Uzpildiet krāsas tvertni ar pareizi atšķaidītu un izfiltrētu krāsu. Pievienojiet smidzināšanas pistoli barošanas avotam. Notēmējiet smidzināšanas pistoli pret materiāla atgriezumu un spiediet mēlītes slēdzi, līdz krāsa tiek izsmidzināta. Noregulējiet izvades kontroli (2), līdz tiek izsmidzināts vajadzīgais daudzums krāsas. Pagrieziet izvades kontroli pulksteņrādītāja virzienā (B), lai samazinātu plūsmu; pagrieziet to pretēji pulksteņrādītāja virzienam (A), lai palielinātu plūsmu. Regulējot izvades kontroli, tiek mainīta smidzināšanas izkliede. Slikta smidzināšanas izkliede izraisa krāsas koncentrēšanos strūklas vidū, tādējādi veidojot nevienmērīgu apdari. Laba smidzināšanas izkliede vienmērīgi izklidē krāsu pa visu virsmu.

Smidzināšanas metodes

D. att.

Lai panāktu maksimāli labu efektu, vienmēr turiet smidzināšanas pistoli horizontāli un paralēli virsmai. Turiet sprauslu 25–30 cm attālumā no virsmas un vienmērīgi izsmidziniet no vienas puses uz otru un augšup vai lejup. Neizsmidziniet no tāda leņķa, kas izraisa krāsas nevienmērīgu uzklāšanos. Uzklājiet ar vieglām un vienmērīgām kustībām. Apsmidzinot lielus laukumus, smidziniet krusteniski, kā norādīts.

E. att.

Smidzināšanas pistoli nedrīkst iedarbināt vai apturēt, kad tā notēmēta pret apsmidzināmo virsmu. Vienmērīgi kontrolējiet smidzināšanas pistoles kustības ātrumu. Ātrs kustības ātrums veido plānu kārtiņu uz virsmas, bet lēns kustības ātrums veido biezu kārtu. Vienā piegājienā uzklājiet vienu kārtu. Ja ir vajadzīgs uzklāt vēl vienu kārtu, ievērojiet ražotāja ieteikto žāvēšanas laiku pirms otrās kārtas uzklāšanas. Apsmidzinot nelielus laukumus, iestatiet izvades kontrolei zema ātruma iestatījumu. Tādējādi netiks izlietots pārāk daudz krāsas un virsma netiks pārmērīgi noklāta. Ja iespējams, apsmidzinot virsmu, izvairieties no instrumenta iedarbināšanas un apturēšanas. Pretējā gadījumā tiks uzklāts pārmērīgi daudz vai pārāk maz krāsas. Nesasveriet smidzināšanas pistoli vairāk nekā 45° leņķī.

Lokanās sprauslas uzstādīšana un lietošana

F. att.

Lokanās sprauslas pagarinājums jāizmanto, lai apsmidzinātu plakanas vai horizontālas virsmas. Tas jāizmanto arī zonās ar ierobežotu piekļuvi. Lai uzstādītu lokano sprauslu, noskrūvējiet konusveida sprauslu un tās vietā piestipriniet lokano sprauslu. Novietojiet konusveida sprauslu uz lokanās sprauslas un pievelciet.

4. APKOPE



Veicot motora apkopes darbus, pārļiecinieties, ka mašīnai nav pievadīts spriegums.

Šis instruments ir paredzēts ilglaicīgam darbam ar mazāko iespējamo apkopi. Nepārtraukti nevainojama darbība ir atkarīga no pareizas instrumenta apkopes un regulāras tīrīšanas.

Problēmu novēršana

1. Motors darbojas, bet instruments

nesmidzina vai smidzina nevienmērīgi

- Noliekota virpuļkustības galva.
 - *Nomainiet virpuļkustības galvu.*
- Iesūkšanas caurule nav pareizajā pozīcijā.
 - *Noregulējiet iesūkšanas cauruli.*
- Iesūkšanas caurule ir nosprostota.
 - *Iztīriet ar šķīdinātāju.*
- Sprausla ir nosprostota.
 - *Iztīriet sprauslu.*
- Filtrs ir nosprostots.
 - *Iztīriet ar šķīdinātāju.*
- Jānoregulē kontroles kloķis.
 - *Noregulējiet.*

2. Pulverizācija nav apmierinoša

- Nav pareizi noregulēts apjoms.
 - *Noregulējiet.*
- Krāsa ir pārāk bieza.
 - *Pārbaudiet krāsas viskozitāti.*

3. Pārmērīga pārklāšana ar krāsu

- Smidzināšanas pistole nav tīra vai nav ieeļļota, kā rezultātā virzulis ir iestrēdzis cilindrā.
 - *Izjauciet smidzināšanas pistoli un notīriet ar šķīdinātāju.*
- Pārāk daudz krāsas.
 - *Lai samazinātu izsmidzinātās krāsas*

daudzumu, regulējiet apjomu pulksteņrādītāja virzienā. Labāk noklāt divās plānās kārtās nekā vienā biežā.

- Viskozitāte ir pārāk zema.
- Pārbaudiet viskozitāti.

4. Motors darbojas skaļāk nekā parasti

- Smidzināšanas pistole nav tīra vai nav ieeļļota, kā rezultātā virzulis ir iestrēdzis cilindrā.
- Izjauciet smidzināšanas pistoli un notīriet ar šķīdinātāju.

5. Nenotiek smidzināšana, nav skaņas

- Nav elektriskās strāvas.
- Pārbaudiet barošanas pavedi.

6. Instrumentam darbojoties, skaņa nav pareiza

- Izvade ir nepilnīgi noregulēta.
- Noregulējiet.
- Tvertnē nav pietiekami daudz krāsas, tāpēc tiek iesūkts gaiss.
- Uzpildiet krāsu.
- Nav pareizi atšķaidīta vai netiek pietiekami labi izvadīta caur iesūkšanas cauruli.
- Pārbaudiet iesūkšanas cauruli un viskozitātes līmeni.

7. “Apelsīna mizas efekts”: pārmērīga krāsas miglošanās

- Tiek lietots nepareizs šķīdinātājs.
- Lietojiet pareizu šķīdinātāju.
- Smidzināšanas pistole atrodas tālu no virsmas.
- Turiet smidzināšanas pistoli tuvāk objektam.
- Krāsa ir pārāk bieža.
- Atšķaidiet krāsu.

Tīrīšana un apkope

G. att.



Pirms smidzināšanas pistoles vai krāsas tvertnes tīrīšanas nekad neizmirstiet vispirms atvienot instrumentu no barošanas avota.

Ir būtiski, ka smidzināšanas pistole pēc katras lietošanas ir viscaur jāiztīra. Neiztīrīšana gandrīz noteikti izraisīs ierīces bloķēšanos, un tā var nedarboties, kad nākamreiz nāksies to izmantot! Garantija neattiecas uz neiztīrītu smidzinātāju, ko nav pienācīgi iztīrījis lietotājs. Pēc katras lietošanas jāveic šādas darbības.

- Iztukšojiet vielas paliekas no tvertnes.
- Rūpīgi iztīriet tvertni ar šķīdinātāju, kas tika izmantots atšķaidīšanai.
- Ielejiet nedaudz šķīdinātāja tvertnē un izsmidziniet caur smidzināšanas pistoli, līdz pa sprauslu plūst tikai tīrs šķīdinātājs.
- Rūpīgi iztīriet krāsas iesūkšanas cauruli un filtru ar šķīdinātāju.
- Notīriet konusu un sprauslu un iztīriet visas krāsas atliekas vai netīrumus.
- Apvēršiet smidzināšanas pistoli otrādi un iepilniet abās atverēs (F) dažus pilienus vieglās eļļas. Tas ieeļļos virzuli un cilindru.

Ja pistolei vajadzīga papildu iekšējā tīrīšana, to var nākties izjaukt. Ja tā, tad būtu jāveic šādi pasākumi:

- Atvienojiet kontaktdakšu no barošanas avota.
- Noņem krāsas tvertni, iesūkšanas cauruli un filtru.
- Noņemiet sūkņa mezglu.
- Atbrīvojiet sprauslu (H), vārstu (J), virzuli (K) un atsperi (L).
- Rūpīgi ar šķīdinātāju iztīriet cilindru (M) un visas detaļas.
- Uzklāt dažus pilienus vieglās eļļas uz virzuļa, atsperes un cilindra.
- Samontējiet smidzināšanas pistoli.

Eļļošana

Instrumentam nav papildus jāeļļo.

Bojājumi

Ja defekts rodas detaļu nodiluma dēļ, lūdzu, sazinieties ar apkopes centru, kas norādīts garantijas kartē. Šo norādījumu beigās ir pilnīgs pārskats par daļām, ko var pasūtīt.

APKĀRTĒJĀ VIDE

Lai izvairītos no bojājumiem transportēšanas laikā iekārta ir piegādāta izturīgā aizsargiekpakojumā. Iepakojums iespēju robežās ir izgatavots no otrreiz izmantojamiem materiāliem. Tādēļ veiciet nepieciešamos soļus iepakojuma otrreizējai izmantošanai.



Elektriskās vai elektroniskās ierīces, kas bojātas un/vai likvidējamās, ir jānogādā šim nolūkam paredzētās pārstrādes stacijās.

Tikai EK valstim

Neizmetiet elektroinstrumentus sadzives atkritumos. Saskana ar Eiropas Direktivu 2012/19/EK par elektrisko un elektronisko iekartu atkritumiem un istenojot to saskana ar valsts tiesibu aktiem, visi elektroinstrumenti, kam beidzies ekspluatācijas laiks, jasavac atseviski un janodod videi nekaitiga parstrades iekarta.

GARANTIJA

Izlasiet garantijas nosacijumus atseviski piegadata garantijas kartē.

Instrumentis var tikt parveidots un lietošanas rokasgramata var tikt izdariti grozijumi. Tehniskie dati var tikt mainiti bez iepriekseja bridinajuma.

ELEKTRILINE PIHUSTUPÜSTOL SGM1012

Aitah, et ostsite Fermi toote. Nuud on teil suurepärane toode, mille tootjaks on juhtiv Euroopa firma. Koik Fermi tooted on toodetud vastavuses kõrgeimate jõudlus- ja ohutusnõuetega. Muu hulgas on meie põhimõte pakkuda ka suurepärast klienditeenindust, mille kindlustab meie põhjalik garantii. Loodame, et naudite selle toote kasutamist palju aastaid.

Numbrid järgnevas tekstis viitavad joonistele lk 2-3.



Lugege kasutusjuhend enne seadme kasutamist hoolikalt läbi. Tutvuge seadme funktsioonide ja tööpõhimõtetega. Hooldage seadet vastavalt juhistele, et see töötaks alati korralikult. Kasutusjuhendit ja kaasasolevaid dokumente tuleb hoida seadme läheduses.

Sisukord

1. Tehnilised andmed
2. Ohutusjuhised
3. Kasutusjuhised
4. Hooldus

1. TEHNILISED ANDMED

Pinge	220-240 V~
Sagedus	50 Hz
Võimsus	110 W
Pihusti maksimaalne läbivoolukiirus	300 ml/min
Mahuti suurus	800 ml
Pihusti läbimõõt	0,8 mm
Kaal	1,75 kg
Lpa (helirõhu tase)	91 dB(A)
Lwa (helivõimsuse tase)	102 dB(A)
Vibratsioon	11,53 m/s ²

Kontrollige, et masinal, lahtistel osadel ja tarvikutel ei oleks transpordikahjustusi.

Vibratsioonitase

Käesolevas kasutusjuhendis toodud vibratsioonitase on mõõdetud vastavalt EN 60745 standardtestile; seda võib kasutada tööriistade omavaheliseks võrdlemiseks ja vibratsiooni

mõjuväärtuse eelnevaks hindamiseks tööriista kasutamisel kõnealusteks töödeks.

- kui tööriista kasutatakse teistsugusteks töödeks, muude või halvasti hooldatud tarvikutega, võivad mõjuväärtused olla tunduvalt suuremad;
- vibratsiooni mõjuväärtust võib oluliselt vähendada ajavahemik, mil tööriist on välja lülitatud või töötab, kuid ei pihusta.

Kaitske end vibratsiooni tagajärgede eest: hooldage tööriista ja tarvikuid, hoidke käsi soojas ja mõelge tööprotsessid läbi. Toote ülevaade.

Joonis A

1. Mootori korpus
2. Väljastusregulaator
3. Päästiküliti
4. Käepide
5. Värvimahuti
6. Korvpihusti
7. Viskoossuse määramise tops

2. OHUTUSJUHISED

Sümbolite seletus



Kehavigastuse, surmasaamise või tööriista kahjustamise oht, kui ei järgita käesolevas kasutusjuhendis toodud juhiseid.



Elektrilöögi oht.



Kandke kaitsekindaid.



Kandke tolmu maski. Puidu, metallide ja muude materjalidega töötades võivad need tekitada tervisele kahjulikku tolmu. Ärge töötage materjalidega, mille koostises on asbest!



Kandke kaitseprille.

Täiendavad ohutusjuhised

- ÄRGE PIHUSTAGE INIMESTE SUUNAS - ärge suunake pihustit teiste inimeste ega loomade poole. Vältige pihustatava aine sattumist otse nahale.

- SÜTTIMISTEMPERATUUR - selle pihustuspüstoliga ei tohi pihustada kergestisüttivaid värve ja lahusteid, mille süttimistemperatuur on alla 32 °C.
- VENTILATSIOON - hoolitsege, et tööpiirkond oleks pihustamise ajal hästi ventileeritud.
- PIHUSTUSOTSİK - ärge kasutage seadet ilma pihustusotsikuta.
- ARVESTAGE TÖÖPIIRKONNA KESKKONNATINGIMUSI - ärge kasutage pihustuspüstolit kohas, kus see võib põhjustada tulekahju või plahvatuse.
- ARVESTAGE OHTUDEGA - arvestage pihustatava ainega kaasnevate ohtudega ja tutvuge mahutil olevate tähistega või tootja esitatud teabega.
- ÄRGE PIHUSTAGE - ärge pihustage aineid, millega seotud ohtude kohta puudub teave.
- KAITSKES SILMI - kandke alati silmade kaitseks mõeldud vahendeid, et vältida ohtlike aurude või gaaside sattumist silma.
- KANDKE MASKI - ärge kasutage pihustuspüstolit ilma näokaitsemaskita.
- KAITSKES KÕRVU - kandke kõrvaklappe, kui helirõhk on üle 85 dB(A).
- HOOLITSEGE TÖÖRIISTADE EEST - hoidke pihustuspüstol, värvimahuti ja pihustid puhtad. Ärge kasutage puhastamiseks tuleohtlikke vedelikke, mille süttimistemperatuur on alla 32 °C. Kontrollige regulaarselt toitejuhet. Laske kahjustatud toitejuhe pädeval spetsialistil välja vahetada.
- LAHTINE LEEK - ärge pihustage lahtise leegi või seadme süüteleegi läheduses.
- SUITSETAMINE - pihustamise ajal ei tohi suitsetada.
- VEDELDA MINE - enne värvi vm ainete kasutamist tutvuge alati tootja juhiste või soovitusetega aine vedeldamise kohta.
- LAHUTAGE VOOLUVÕRGUST - enne värvimahuti täitmist või pihustuspüstoli puhastamist lahutage seade alati vooluvõrgust.
- PIHUSTAMISE VAHEPEAL LÜLITAGE SEADE VÄLJA - ärge laske seadmel (ka mitte lühikest aega) töötada, kui voolukiiruse nupp on täielikult suletud.



Me ei võta endale vastutust kahju eest, mis on tingitud ebasobivate ainete või õigesti vedeldamata värvide kasutamisest, ning tervisekahjustuste eest, mis on tingitud ebapiisavast ventilatsioonist.

Järgmistel juhtudel lülitage pihustuspüstol kohe välja:

- Võrgupistik või toitejuhe tuleb lahti või saab viga.
- Lüliti defekt.
- Tekib suits või hais, mis viitab isolatsiooni kõrbemisele.

Elektriohutus

Elektritööriistade kasutamisel peaks tuleoahu, elektrilöögiohu ja kehavigastuste vältimiseks järgima elementaarseid ohutuseeskirju. Lugege enne toote kasutamist kõik juhised läbi ja hoidke kasutusjuhend alles.



Veenduge alati, et võrgupinge vastab seadme andmesildile märgitud väärtusele.



II klassi seade. Seadmel on topelisolatsioon, seega pole maandatud juhet vaja kasutada.

Juhtmete ja pistikute vahetamine

Väljavahetatud vanad juhtmed ja pistikud visake kohe minema. Logiseva pistiku ühendamine vooluvõrku on ohtlik.

Pikendusjuhtmete kasutamine

Kasutage ainult nõuetelevastavat pikendusjuhet, mis sobib masina sisendpingega. Juhtme ristlõike pindala peab olema vähemalt 1,5 mm². Rulliga pikendusjuhtme kasutamisel kerige juhe täies pikkuses rullilt maha.

3. KASUTUSJUHISED

Ettevalmistamine

Joonis B



Ärge kasutage tekstuurseid seinavärve ega pinnakattematerjale, mis võivad pihusti ummistada.

Parima tulemuse saamiseks on enne pihustuspüstoli kasutamist oluline töödeldav pind ette valmistada ja värv õige viskoossuseni vedeldada. Töödeldav pind ei tohi kunagi olla tolmune, määrdunud ega rasvane. Veenduge, et kõik pinnad, mida te ei soovi töödelda, on kaetud kvaliteetse maalriteibiga. Pihustatav värv või vedelik peab olema korralikult läbi segatud ega tohi sisaldada klompe ega muid osakesi. Pihustuspüstoliga saab pihustada paljusid erinevaid aineid, kuid enne värvi ostmist tuleks siiski alati tutvuda tootja soovitustega.

Vedeldamine



Enne värvimahuti täitmist pihustatava ainega tuleb seade alati vooluvõrgust lahutada.

Enamik värve on purgis pintsliga värvimiseks sobivas konsistentsis ning enne pihustamist tuleb neid vedeldada. Järgige tootja juhiseid värvi vedeldamiseks enne pihustuspüstolis kasutamist. Viskoosustops aitab määrata kasutatava värvi õige viskoossuse. Õige viskoossuse määramiseks täitke tops ääreni värviga. Mõõtke ära, kui kaua aega kulub värvi valgumiseks topsist tagasi purki.

Alljärgnevas tabelis on kirjas soovituslik aeg eri tüüpi ainete puhul.

Plast- ja lateksvärv	24-28 sekundites
Veepõhine värv	20-25 sekundites
Kruntvärvid	24-28 sekundites
Lakid	20-25 sekundites
Õlipõhised värvid	18-22 sekundites
Emailvärvid	18-22 sekundites
Alumiiniumvärvid	20-25 sekundites
Auto kruntvärv	25-35 sekundites
Puidutihendid	28-35 sekundites
Puidukonservandid	Pole vaja lahjendada
Puidupeitsid	Pole vaja lahjendada

Kui värvinõu tühjenemiseks kulub soovituslikust kauem aega, tuleb värvi veelgi vedeldada. Segage juurde väike kogus sobivat vedelidit ja testige viskoossust, kuni värv saavutab õige paksuse. Mõned pihustatavad ained sisaldavad klompe ja osakesi. Enne värvimahuti täitmist tuleb need ained kurnata.

Pihustamine

Joonis C

Täitke värvimahuti õigesti vedeldatud ja kurnatud värviga. Ühendage pihustuspüstol vooluvõrguga. Suunake pihustuspüstol praagitud materjalitükile ja vajutage päästiklülitit, kuni seade hakkab värvi pihustama. Seadke pihustatav värvikogus väljastusregulaatori (2) abil sobivaks. Voolukiiruse vähendamiseks keerake väljastusregulaatorit päripäeva (B), voolukiiruse suurendamiseks vastupäeva (A). Väljastusregulaatori asendi muutmine mõjutab pihustumustrit. Halva pihustumustri korral koondub värv pihustusjoo keskele ja lõpptulemus on laiguline. Hea pihustumustri korral jaguneb värv kogu pihustusjoo ulatuses ühtlaselt.

Pihustamisvõtted

Joonis D

Parima tulemuse saamiseks hoidke pihustuspüstolit alati loodis ja pinnaga paralleelselt. Hoidke pihustit pinnast 25-30 cm kaugusel ja pihustage ühtlaselt, liikudes küljelt küljele või üles-alla. Ärge pihustage nurga all, et värv ei hakkaks mööda pinda alla voolama. Liigutage püstolit sujuvalt ja ühtlaselt. Suurte pindade katmisel kasutage risti-rästi tõmbeid, nagu joonisel näidatud.

Joonis E

Ärge käivitage ega seisake pihustuspüstolit, kui see on suunatud töödeldavale pinnale. Pihustuspüstoli liikumiskiirus peab olema ühtlane. Kiirel liikumisel üle töödeldava pinna saadakse õhuke kiht, aeglasel liikumisel paks kiht. Kandke korraga pinnale üks kiht värvi. Kui on vaja peale kanda ka teine kiht, järgige tootja soovitusi kuivamisaja kohta. Väikeste pindade katmisel hoidke väljastusregulaatorit aeglase pihustamise asendis. See aitab vältida liigse värvi kasutamist ja liiga paksu kihina pihustamist. Võimalusel vältige seadme seiskamist ja käivitamist, kui pihusti on suunatud töödeldavale pinnale. Muidu võib pinnale sattuda liiga palju või liiga vähe värvi. Ärge kallutage värvipüstolit üle 45°.

Painduva pihusti paigaldamine ja kasutamine

Joonis F

Siledatele või horisontaalsetele pindadele pihustamiseks tuleb kasutada painduvat pihustipikendust. Seda peaks kasutama ka

piiratud ligipääsuga aladel. Painduva pihusti paigaldamiseks kruvige korvpihusti lahti ja kinnitage selle asemele painduv pihusti. Pange korvpihusti painduva pihusti otsa ja pingutage.

4. HOOLDUS



Enne mootori hooldustöid veenduge, et seade pole vooluvõrgus.

Seade on mõeldud pikaajaliseks tööks minimaalse hooldusega. Et seade teid ka edaspidi korralikult teeniks, tuleb seda regulaarselt hooldada ja puhastada.

Rikked

1. Mootor undab, kuid seade ei pihusta või pihustab ebaühtlaselt.

- Pöördotsik on kulunud.
 - *Vahetage pöördotsik välja.*
- Sissevõtutoru on vales asendis.
 - *Kohendage sissevõtutoru asendit.*
- Sissevõtutoru on ummistunud.
 - *Puhastage vedeldiga.*
- Pihusti on ummistunud.
 - *Puhastage pihusti.*
- Filter on ummistunud.
 - *Puhastage vedeldiga.*
- Juhtnupp vajab reguleerimist.
 - *Reguleerige.*

2. Pihustusfunktsioon ei tööta hästi.

- Pihustusmaht on valesti reguleeritud.
 - *Reguleerige.*
- Värv on liiga paks.
 - *Kontrollige värvi viskoossust.*

3. Värvikiht on liiga paks.

- Pihustuspüstol on määrdunud või õlitamata, mistõttu kiilub kolb silindris kinni.
 - *Võtke pihustuspüstol osadeks ja puhastage vedeldiga.*
- Liiga palju värvi.
 - *Pihustatava koguse vähendamiseks keerake regulaatorit päripäeva. Kaks õhukest kihti on parem kui üks paks kiht.*
- Viskoossus on liiga madal.
- *Kontrollige viskoossust.*

4. Mootor töötab tavapärasest valjemalt.

- Pihustuspüstol on määratud või õlitamata, mistõttu kiilub kolb silindris kinni.
 - *Võtke pihustuspüstol osadeks ja puhastage vedeldiga.*

5. Seade ei pihusta ega tee häält.

- Puudub elektrivool.
 - *Kontrollige toiteallikat.*

6. Ebaharilik töömüra.

- Väljastuskogus on valesti reguleeritud.
 - *Reguleerige.*
- Mahutis ei ole piisavalt värv, mistõttu sellesse imetakse õhku.
 - *Täitke mahuti värviga.*
- Värv on valesti vedeldatud või ei läbi täies ulatuses sissevõtutoru.
 - *Kontrollige sissevõtutoru ja viskoossust.*

7. Apelsinikoore laadne uduloori efekt.

- Kasutatakse vale lahustit.
 - *Kasutage õiget lahustit.*
- Pihustuspüstol on töödeldavast pinnast liiga kaugele.
 - *Hoidke pihustuspüstolit töödeldavale pinnale lähemal.*
- Värv on liiga paks.
 - *Vedeldage värvi.*

Puhastamine ja hooldus

Joonis G



Enne pihustuspüstoli või värvimahuti puhastamist tuleb seade alati vooluvõrgust lahutada.

Pihustuspüstol tuleb kindlasti pärast iga kasutuskorda põhjalikult puhastada. Puhastamata jätmise tagajärjel tekivad paratamatult ummistused ja pihustuspüstol ei pruugi järgmisel kasutuskorral töötada. Garantii ei hõlma rikkeid, mis tulenevad pihustuspüstoli puudulikust puhastamisest. Pärast iga kasutuskorda ja enne pihustuspüstoli pikemaks ajaks hoiule panekut tuleb teha järgmised toimingud:

- Eemaldage konteinerist kõik materjalijäägid.
- Puhastage konteiner kasutatud vedeldiga.
- Valage lahustit konteinerisse ja pihustage pihustuspüstolist seni, kuni pihustist tuleb välja ainult puhas lahusti.

- Puhastage värvitoru ja filter korralikult lahusti abil.
- Puhastage korv ja pihusti ning eemaldage ka muu praht või värvijäägid.
- Keerake püstolpihusti tagurpidi ja pange kahte avasse (F) paar tilka kerget õli. See määrab kolvi ja silindri.

Kui püstolpihustit on vaja täiendavalt seest puhastada, tuleb see mõnikord lahti võtta. Sel juhul tuleb toimida järgmiselt.

- Eemaldage pistik vooluvõrgu pistikupesast.
- Eemaldage värvikonteiner, toru ja filter.
- Võtke pump välja.
- Vabastage pihusti (H), ventiil (J), kolb (K) ja vedru (L).
- Puhastage silinder (M) ja kõik osad põhjalikult lahustiga.
- Lisage mõni tilk kerget määrdeõli kolvile, vedrule ja silindrile.
- Monteerige pihustuspüstol uuesti kokku.

Õlitamine

Seade ei vaja täiendavat õlitamist.

Defektid

Kui seadmel peaks ilmuma mõni osade kulumisest tingitud rike, pöörduge garantiikaardile märgitud aadressil teeninduskeskusesse. Kasutusjuhendi lõpust leiata tellitavate osade üksikasjaliku ülevaate.

KESKKOND

Transpordikahjustuste vältimiseks tarnitakse seade tugevas pakendis, mis koosneb enamjaolt taaskasutatavast materjalist. Seega kasutage palun võimalusel pakendi korduvkasutamiseks.



Rikkis ja/või kasutuselt kõrvaldatud elektri- ja elektroonikaseadmed tuleb toimetada selleks ettenähtud ringlussevõtupunktidesse.

Euroopa Ühenduse riigid

Ärge visake elektritööriistu olmeprügi hulka. Vastavalt Euroopa Parlamendi ja nõukogu direktiivile 2012/19/EU elektri- ja elektroonikaseadmete jäätmete kohta ning vastavalt seda direktiivi rakendavatele riiklikele õigusaktidele tuleb

kasutuskõlbmatud elektritööriistad koguda teistest jäätmetest eraldi ning kõrvaldada kasutusest keskkonnasõbralikul viisil.

GARANTII

Tutvuge garantiitingimustega, mis on kirjas kaasasoleval garantiikaardil.

Toote ehituses ja kasutusjuhendis võidakse teha muudatusi. Tehnilisi näitajaid võidakse ette teatamata muuta.

ELEKTRIČNI PIŠTOLJ ZA BOJU SGM1012

Zahvaljujemo vam se na kupnji proizvoda tvrtke Ferm. Time ste dobili izvrstan proizvod, koji dobavlja jedan od vodećih europskih dobavljača. Svi proizvodi koje vam dostavlja Ferm proizvedeni su sukladno najvišim standardima glede performansi i sigurnosti, a kao sastavni dio naše filozofije, osiguravamo izvanrednu podršku klijentima, koja se zasniva na našem obuhvatnom Jamstvu. Nadamo se da ćete još dugo uživati u našem proizvodu.

Brojke u tekstu odnose se na crteže na stranicama 2 - 3.



Prije upotrebe ovog uređaja pažljivo pročitajte upute za korištenje. Upoznajte se s njegovim funkcijama i osnovnim radnjama. Uređaj servisirajte u skladu s uputama kako biste osigurali njegovu ispravno funkcioniranje. Upute za rukovanje i priložena dokumentacija moraju se čuvati u blizini uređaja.

Sadržaj

1. Tehnička specifikacija
2. Sigurnosne upute
3. Upute za uporabu
4. Održavanje

1. TEHNIČKA SPECIFIKACIJA

Napon	220-240 V~
Frekvencija	50 Hz
Ulazna snaga	110 W
Maksimalni protok mlaznice	300 ml/min
Kapacitet suda	800 ml
Promjer mlaznice	0,8 mm
Težina	1,75 kg
L _{pa} (nivo zvučnog pritiska)	91 dB(A)
L _{wa} (nivo zvučne snage)	102 dB(A)
Vibracije	11,53 m/s ²

Provjerite uređaj, nepričvršćene dijelove i dodatnu opremu radi mogućih oštećenja izazvanih tijekom transporta.

Razina vibracija

Razina emitiranja vibracija navedena na poledini ovog naputka za uporabu izmjerena je sukladno

normiranom testu danom u EN 60745; ona se može koristiti za usporedbu jedne alatke s drugom, te preliminarnu procjenu izloženosti vibracijama pri uporabi alatke za navedene namjene

- uporaba ove alatke za druge namjene ili s drugim ili slabo održavanim nastavcima, može u značajnoj mjeri uvećati razinu izloženosti
- vrijeme tokom kojega je alatka isključena, ili je uključena ali se njome ne radi, može značajno umanjiti razinu izloženosti

Zaštite se od posljedica vibracija održavanjem alatke i njezinih nastavaka, održavanjem Vaših ruku toplima, te organiziranjem Vaših obrazaca rada

Dijelovi

Sl. A

1. Kućište motora
2. Regulator količine boje
3. Okidač
4. Drška
5. Sud za boju
6. Dodatak za špricanje u obliku košarice
7. Čaša za provjeru viskoznosti

2. SIGURNOSNE UPUTE

Simboli



Označava rizik od tjelesne ozljede, smrti, ili oštećenja alata u slučaju nepoštivanja uputa u ovom priručniku.



Označava rizik od električnog udara.



Nosite zaštitne rukavice.



Nosite zaštitnu masku protiv prašine posebno. Rad s drvetom, metalima i drugim materijalima može uzrokovati stvaranje prašine koja je štetna za zdravlje. Ne radite s materijalima koji sadrže azbest!



Uvijek koristite zaštitu za oči.

Dodatne sigurnosne upute

- NIKAD NE ŠPRICAJTE U OSOBE – Nikad ne ciljajte mlaznicom u drugu osobu ili životinju. Nikad ne dozvolite da mlaz dođe u izravan kontakt sa kožom.
- TEMPERATURA PALJENJA – Ovaj pištolj za boju ne smije se rabiti za špricanje zapaljivih boja i rastvora sa temperaturom paljenja manjom od 32 °C.
- VENTILACIJA – Uvijek provjerite da li postoji adekvatna ventilacija u prostoru za rad kada špricate.
- MLAZNICA - Uvijek držite mlaznicu na mjestu tokom uporabe.
- VODITE RAČUNA O RADNOM OKRUŽENJU – Nemojte koristiti pištolje za špricanje na mjestima na kojima postoji opasnost od eksplozije.
- ČUVAJTE SE SVIH OPASNOSTI – Čuvajte se svake opasnosti od materijala koji se šprica i provjerite oznake na posudi i informacije koje je naveo proizvođač.
- NE ŠPRICAJTE – Ne špricajte bilo koji materijal čije se opasnosti ne znaju.
- RABITE ZAŠTITU ZA OČI – Uvijek rabite odgovarajuću zaštitu za oči da držite opasna isparenja i gasove dalje od očiju.
- NOSITE MASKU – Nikad ne koristite pištolj bez maske za lice.
- ZAŠTITITE UŠI - Uvijek nosite štitnike za uši ako pritisak zvuka prelazi 85 dB(A).
- ODRŽAVAJTE SVOJ ALAT – Održavajte svoj pištolj boju, sud za boju i mlaznice čistim. Nemojte čistiti zapaljivim tekućinama čija je točka paljenja niža od 32 °C. Provjerite električni kabel povremeno i ako je oštećen, odnesite ga na popravak kod kvalificiranog majstora.
- OTVORENI PLAMEN – Nikad ne špricajte u blizini otvorenog plamena ili kontrolnog plamena uređaja.
- PUŠENJE – Nikad ne pušite kad špricate.
- RazrjeđIVANJE – Uvijek pročitajte preporuke ili upute proizvođača boje za razrjeđivanje prije uporabe boje ili drugih materijala.
- ISKLJUČITE IZ ELEKTRIČNE UTIČNICE – Uvijek isključite iz utičnice kad puniti sud za boju ili čistite pištolj.
- ISKLJUČITE PREKIDAČ KAD NE ŠPRICATE – Izbjegavajte pokretanje uređaja sa potpuno zatvorenom ručicom za protok u bilo kom trajanju.



Ne prihvaćamo odgovornost za štetu izazvanu uporabom neodgovarajućih supstanci, ili boja koje nisu pravilno razrijeđene, i sve opasnosti po zdravlje koje nastaju zbog nedostatka adekvatne ventilacije.

Odmah isključite pištolj za boju u slučaju:

- Prekida na kablju, utikaču, glavnom vodu ili oštećenja kabla.
- Pokvarenog prekidača.
- Dima ili smrada izgorjele izolacije.

Električna sigurnost

Kada koristite električni alat, uvijek poštujujte osnovne mjere predostrožnosti da biste umanjili rizik od požara, električnog udara i ozljeda. Pročitajte ove upute prije korištenja proizvoda i sačuvajte ih.



Uvijek provjerite da li napon u mreži odgovara naponu na pločici sa informacijama.



Ovaj alat je dvostruko izoliran; zato nije potrebna žica za uzemljenje.

Zamjena kabla ili utikača

Odmah bacite stare kabele ili utikače kada ih zamijenite novima. Opasno je umetati utikač labavog kabla u zidnu utičnicu.

Korištenje produžnih kablova

Koristite isključivo odobren produžni kabel koji odgovara ulaznoj snazi uređaja. Minimalna veličina provodnika je 1,5 mm². Kada koristite kabel namotan na kalem, obavezno ga do kraja odmotajte.

3. UPUTSTVA ZA RAD

Priprema

SI. B



Nemojte rabiti zgusnute boje za zidove ili premaze, jer će začepiti mlaznicu.

Da postignete najbolje rezultate, važno je pripremiti podlogu za špricanje boje i razrijediti boju do točnog viskoziteta, prije nego li rabite pištolj za špricanje. Uvijek provjerite da na podlogama koje se špricaju nema prašine,

prljavštine i masnoće. Vodite računa da zaštitite dijelove koji se neće špricati pomoću kvalitetne zaštitne trake. Boja ili tečnost koja se šprica mora biti temeljno izmiješana i bez grudica i drugih čestica. Mnoge supstance mogu se špricati ovim pištoljem, ali uvijek provjerite preporuke proizvođača prije kupovine boje.

Razrijeđivanje



Uvijek isključite iz električne utičnice prije punjenja suda za boju materijalom za špricanje.

Većina boja se isporučuje spremna za nanošenje četkom i moraju se razrijediti prije nego li budu pogodne za špricanje. Slijedite savjete proizvođača o razrijeđivanju boje koja se koristi sa ovim pištoljem. Čaša za provjeru viskoznosti će vam pomoći da odredite točnu viskoznost boje koja se rabi. Da odredite točnu viskoznost, napunite čašu bojom do vrha. Izmjerite vrijeme koje je potrebno da se čaša isprazni u kantu.

Slijedeća tabela pokazuje preporučeno vrijeme za različite vrste materijala.

Plastična i lateks boja	24 - 28 sekundi
Boje na bazi vode	20 - 25 sekundi
Osnovni premazi	24 - 28 sekundi
Lakovi	20 - 25 sekundi
Boje na bazi ulja	18 - 22 sekunde
Email boje	18 - 22 sekunde
Aluminijske boje	22 - 25 sekundi
Spojevi za automobile	25 - 35 sekundi
Spojevi za drvo	28 - 35 sekundi
Sredstva za zaštitu drveta	Nije potrebno razrijeđivanje
Boje za drvo	Nije potrebno razrijeđivanje

Ako je boji potrebno za pražnjenje više vremena nego što je preporučeno, onda je potrebno razrijeđivanje. Umiješajte malu količinu odgovarajućeg razrijeđivača i rabite test viskoznosti dok se ne postigne odgovarajuća gustoća. Neki materijali za špricanje sadrže čestice i grudice. Ti materijali moraju se procijediti prije punjenja suda za boju.

Špricanje

SI. C

Napunite sud za boju bojom koja je pravilnorazriježena i prociježena. Uključite pištolj za špricanje u utičnicu. Uperite pištolj

za špricanje u komad otpadnog materijala i pritisnite okidač dok boja ne počne da šprica. Podesite regulator boje (2) dok se ne postigne špricanje odgovarajuće količine boje. Okrećite regulator količine boje u smjeru kazaljke (B) da smanjite protok i suprotno (A) da povećate protok. Podešavanje regulatora količine utjecat će na obrazac špricanja. Slab obrazac špricanja će koncentrirati boju u centru štrcaljke i dati zamrljan gornji sloj. Dobar obrazac špricanja će dati ravnomjernu distribuciju boje cijelom površinom.

Tehnike špricanja

SI. D

Da postignete najbolje rezultate, držite pištolj ravno i paralelno sa podlogom čitavo vrijeme. Držite mlaznicu na udaljenosti od 25-30 cm od podloge i špricajte ravnomjerno lijevo-desno ili gore-dolje. Ne špricajte pod kutom, jer će to dovesti do nakupljanja boje na podlozi. Koristite glatke i ravnomjerne poteze. Kad špricate velike površine, rabite obrazac uzduž i poprijeko, kao što je prikazano.

SI. E

Nikada ne pokrećite i ne zaustavljajte pištolj dok je uperen u podlogu koja se šprica. Ravnomjerno kontrolirajte brzinu pomjeranja pištolja. Brzo pomjeranje iznad podloge dat će tanak sloj, a sporo pomjeranje dat će debeli sloj. Nanosite po jedan sloj. Ako je potreban još jedan sloj, pazite da poštuju preporuke proizvođača o vremenu sušenja prije nanošenja drugog sloja. Kad špricate male površine, držite kontrolu količine boje na maloj postavci. Time ćete izbjeći korištenje previše boje i spriječiti pretjerano špricanje. Kad je moguće, izbjegavajte zaustavljanje i pokretanje tijekom špricanja nekog predmeta. Tako ćete rabiti nedovoljno ili previše boje. Ne nagibajte pištolj više od 45°.

Montaža i uporaba savitljive mlaznice

SI. F

Savitljivi produžetak mlaznice treba koristiti za špricanje ravnih i horizontalnih površina. Također se treba rabiti na površinama sa ograničenim pristupom. Da montirate savitljivu mlaznicu, odvrnite mlaznicu u obliku košarice i postavite savitljivu mlaznicu na njeno mjesto. Postavite mlaznicu u obliku košarice na kraj savitljive mlaznice i učvrstite.

4. ODRŽAVANJE



Provjerite da li je uređaj isključen iz struje prije preuzimanja radova na održavanju motora.

Ovi uređaji napravljeni su da ispravno funkcioniraju duže vrijeme uz minimalno održavanje. Redovitim čišćenjem i pravilnim rukovanjem osigurat ćete ispravan rad vašeg uređaja duže vrijeme.

Otklanjanje problema

1. Motor radi, ali ne šprica ili je špricanje nepravilno

- Istrošena vrtložna glava.
 - Zamijenite vrtložnu glavu.
- Prihvatna cijev nije na mjestu.
 - Ponovo namjestite prihvatnu cijev.
- Začepljena prihvatna cijev.
 - Očistite razrjeđivačem.
- Začepljena mlaznica.
 - Očistite mlaznicu.
- Začepljen filter.
 - Očistite razrjeđivačem.
- Kontrolnu ručicu treba podesiti.
 - Podesite.

2. Atomizacija nije dobra

- Postavka količine nije pravilna.
 - Podesite.
- Boja suviše gusta.
 - Provjerite viskozitet boje.

3. Pretjerano ispuštanje boje

- Pištolj nije čist, ili nije podmazan, što dovodi do zaglavljivanja klipa u cilindru.
 - Rastavite pištolj i očistite razrjeđivačem.
- Previše boje.
 - Podesite količinu u smjeru kazaljke da smanjite špricanje. Dva tanka sloja su bolja od jednog debelog sloja.
- Viskoizitet je previše nizak.
 - Provjerite viskoizitet.

4. Motor glasniji nego obično

- Pištolj nije čist, ili nije podmazan, što dovodi do zaglavljivanja klipa u cilindru.
 - Rastavite pištolj i očistite razrjeđivačem.

5. Nema špricanja, nema zvuka

- Nema struje.
- *Provjerite povezanost utikača.*

6. Nepravilan zvuk pri radu

- Loše podešavanje izlaza.
- *Podesite.*
- Nedovoljno boje u sudu, što dovodi do usisavanja zraka.
- *Napunite bojom.*
- Nepravilno rastvaranje, ili ne prolazi potpuno kroz prihvatnu cijev.
- *Provjerite prihvatnu cijev i nivo viskoziteta.*

7. „Narandžasta koža“ pretjerano magljenje

- Koristi se neodgovarajući razrjeđivač.
- *Rabite odgovarajući razrjeđivač.*
- Pištolj predaleko od podloge.
- *Držite pištolj bliže predmetu.*
- Boja previše gusta.
- *Rijetka boja.*

Čišćenje i održavanje

Sl. G



Uvijek isključite iz električne utičnice prije čišćenja pištolja ili suda za boju materijalom za špricanje.

Pištolj se mora temeljito čistiti poslije svake uporabe. Ako se ne čisti, skoro sigurno će doći do začepjenja i možda neće raditi kada budete htjeli slijedeći put da ga rabite! Jamstvo ne pokriva čišćenje štrcaljke koju korisnik nije pravilno čistio. Slijedeće aktivnosti se moraju preuzeti nakon svake uporabe:

- Ispraznite preostali materijal iz suda.
- Temeljito očistite sud pomoću razrjeđivača koji je korišten.
- Naspite malo razrjeđivača u sud i špricajte kroz pištolj dok iz mlaznice ne krene samo čisti razrjeđivač.
- Temeljito očistite prihvatnu cijev za boju i filter pomoću razrjeđivača.
- Očistite košaru i mlaznicu i skinite sve druge ostatke ili preostalu boju.
- Okrenite pištolj naopako i stavite nekoliko kapi blagog ulja na dva otvora (F). Tako ćete podmazati klip i cilindar.

Ako bude potrebno dodatno unutarnje čišćenje vašeg pištolja, možda će biti neophodno da se rastavi. Ako je tako, moraju se preuzeti slijedeće radnje:

- Izvadite utikač iz utičnice.
- Skinite sud za boju, prihvatnu cijev i filter.
- Skinite sklop pumpe.
- Oslobodite mlaznicu (H), ventil (J), klip (K) i oprugu (L).
- Cilindar (M) i sve dijelove temeljno očistite rastvorom.
- Stavite nekoliko kapi blagog ulja na klip, oprugu i cilindar.
- Sastavite pištolj.

Podmazivanje

Vaš električni alat ne zahtijeva dodatna podmazivanja.

Kvarovi

U slučaju kvara, npr. habanja dijela, molimo da kontaktirate servis na adresi navedenoj na jamstvenom listu. Na kraju ovog priručnika možete pronaći prikaz sastavnih dijelova koji prikazuje dijelove dostupne za naručivanje.

OKOLIŠ

Kako bi se spriječilo oštećivanje tijekom transporta, uređaj se isporučuje u čvrstom pakiranju koje se sastoji uglavnom od materijala koji se može ponovo upotrijebiti. Iz tog vas razloga molimo da iskoristite opcije recikliranja pakiranja.



Neispravni i/ili odbačeni električni ili elektronički uređaji moraju se prikupljati na odgovarajućim mjestima za recikliranje.

Samo za zemlje Europske unije.

Alate nemojte odlagati u kućanski otpad. Prema europskim smjernicama 2012/19/EU za otpadnu električnu i elektroničku opremu i njihovoj primjeni i državnom zakonodavstvu, radni alati koji se više ne koriste moraju se odvojeno sakupiti i odložiti na ekološki prihvatljiv način.

JAMSTVO

Jamstvene uvjete možete pronaći na posebno priloženom jamstvenom listu.

Proizvod i korisnički priručnik su podložni promjenama. Specifikacije se mogu promijeniti bez upozorenja.

ELEKTRIČNI PIŠTOLJ ZA RASPRSKAVANJE SGM1012

Zahvaljujemo na kupovini ovog FERM proizvoda. Time imate odličan proizvod, isporučen od jednog od vodećih dobavljača u Evropi. Svi proizvodi dostavljeni od strane FERM-a proizvedeni su prema najvišim standardima performansi i bezbednosti. Kao deo naše filozofije obezbeđujemo odličnu uslugu klijentima, uz vrhunsku sveobuhvatnu garanciju. Nadamo se da ćete sa užitkom da koristite ovaj proizvod mnogo narednih godina.

Brojevi u tekstu se odnose na dijagrame na str. 2-3.



Pažljivo pročitajte uputstva za rad, pre korišćenja uređaja. Upoznajte se sa funkcijama i osnovnim operacijama. Servisirajte uređaj prema instrukcijama, da bi se osigurali da će uvek pravilno da funkcioniše. Uputstva za rukovanje i pridružnu dokumentaciju čuvajte u blizini uređaja.

Sadržaj

1. Tehničke karakteristike
2. Bezbednosna uputstva
3. Uputstva za rukovanje
4. Održavanje

1. TEHNIČKE KARAKTERISTIKE

Napon	220-240 V~
Frekvencija	50 Hz
Ulazna snaga	110 W
Maksimalan protok vazduha mlaznice	300 ml/min
Kapacitet posude	800 ml
Prečnik mlaznice	0.8 mm
Težina	1.75 kg
L _{pa} (Nivo zvučnog pritiska)	91 dB(A)
L _{wa} (Nivo zvučne snage)	102 dB(A)
Vibracije	11.53 m/s ²

Proverite mašinu, labave delove i pribor, da nisu oštećeni tokom transporta.

Nivo vibracija

Nivo emisije vibracija, navedeno u uputstvu, izmereno je u saglasnosti sa standardizovanim testom, datim u EN 60745; on može da se koristi za poređenje jednog alata sa drugim, kao i za preliminarnu procenu izloženosti na vibracije, kada se alat koristi u raznim aplikacijama.

- korišćenje alata u raznim aplikacijama ili sa raznim ili slabo održavanim priborom, može značajno da poveća nivo izloženosti
- Vreme kada je alat isključen ili kada radi ali ne obavlja posao, može značajno da smanji nivo izloženosti.

Zaštite se od efekata vibracija održavanjem alata i pribora, ruke da su vam tople i organizujte radne navike.

Informacija o proizvodu

SI. A

1. Kućište motora
2. Dugme za regulaciju
3. Okidač
4. Drška
5. Rezervoar za boju
6. Košarica mlaznice za prskanje
7. Merna posuda za viskozitet

2. UPUTSTVA ZA BEZBEDNOST

Objašnjenje simbola



Označava rizik od povreda, gubitak života ili oštećenje alata u slučaju nepoštovanja uputstva.



Označava rizik od strujnog udara.



Nosite zaštitne rukavice.



Nosite masku za zaštitu od prašine. Rad sa drvetom, metalima i drugim materijalima može proizvesti prašinu koja je štetna po zdravlje. Ne obrađujte materijale koji sadrže azbest.



Nosite zaštitu za oči.

Dodatna uputstva za bezbednost

- **NIKADA NE PRSKAJTE U LJUDE** - Nikada ne usmerujte mlaznicu ka drugim osobama ili životinjama. Nikad ne dozvoliti da sprej dođe u direktan kontakt sa kožom.
- **NISKA TAČKA PALJENJA** - Ovaj pištolj se ne sme koristiti za prskanje zapaljivih boja i rastvarača sa tačkom paljenja nižom od 32°C.
- **VENTILACIJA** - Uvek vodite računa da je prskanje u radnom području dovoljno ventilisano.
- **KOŠARICA MLAZNICE** - Uvek držite košaricu mlaznice za prskanje na njenom mestu tokom upotrebe.
- **UPOZNAJTE OKOLINU RADNOG PROSTORA** - Ne koristite pištolje za rasprskavanje gde postoji opasnost od požara ili eksplozije.
- **PAZITE NA SVAKU OPASNOST** - Pazite na bilo koju opasnost od materijala koji se prska i pročitajte oznake na posudi ili informacije koje je dostavio proizvođač.
- **NE PRSKAJ** - Ne prskajte bilo koji materijal u slučaju da opasnost nije poznata.
- **KORISTITE ZAŠTITU ZA OČI** - Uvek koristite odgovarajuću zaštitu za oči kako biste sprečili opasna isparenja da dospeju do očiju.
- **NOSITE MASKU** - Nikada ne koristite pištolj za prskanje bez maske za lice.
- **ZAŠTITITE UŠI** - Nosite zaštitu za uši ako zvučni pritisak prelazi 85 dB (A).
- **ODRŽAVAJTE ALAT** - Održavajte čistim pištolj za rasprskavanje, posudu za boju i mlaznice. Ne čistite sa zapaljivim tečnostima, sa tačkom paljenja nižom od 32°C. Periodično proverite mrežni kabl i ako je oštećen zamenite ga kod kvalifikovanog lica.
- **OTVORENI PLAMEN** - Nikada ne prskajte blizu otvorenog plamena ili uređaja za potpalu.
- **PUPENJE** - Nikada ne pušite dok prskate.
- **RAZREĐIVANJE** - Uvek pročitajte preporuke ili uputstva proizvođača razređivača boja pre upotrebe boje ili drugih materijala.
- **ISKLJUČIVANJE IZ NAPANJANJA** - Uvek isključite iz napajanja električnom energijom prilikom punjenja posude za boju ili čišćenja pištolja za prskanje.
- **ISKLJUČITE KADA NE PRSKATE** - Izbegavajte pokretanje uređaja sa zatvorenim dugmetom za regulaciju protoka.



Ne prihvatamo odgovornost za oštećenja uzrokovana upotrebom neadekvatnih supstanci ili boja koje nisu pravilno razređene i bilo kakve zdravstvene opasnosti koje proističu iz nedostatka adekvatne ventilacije.

Odmah isključite pištolj za rasprskavanje ako:

- Ima prekid na glavnoj priključnici, glavnom kablju ili ako je oštećen kabl.
- Je pokvaren prekidač.
- Ima dima ili smrdi izgorena izolacija.

Električna bezbednost

Kada se koriste električni alati, potrebno je da se zapaze osnovna pravila za bezbednost, da bi se izbegle opasnosti od požara i povrede. Pročitajte sva uputstva pre nego što počnete da koristite ovaj proizvod i sačuvajte uputstva.



Uvek proveravajte da li napon u mreži odgovara naponu na pločici.



Klasa mašine II. Vaša mašina je dvojno izolirana, zbog toga nije potrebno uzemljenje.

Zamena kablova ili priključnica

Odmah bacite stare kablove ili priključnice, kada ih zamenite sa novim. Opasno je da uključite priključnicu ako je kabl labav.

Korišćenje produžnih kablova

Koristite samo odobrene produžne kablove, pogodne za ulaznu snagu mašine. Najmanji poprečni presek je 1,5 mm². Kada koristite kabl u rolni, uvek ga odmotajte do kraja.

3. UPUTSTVA ZA RUKOVANJE

Priprema

Sl. B



Ne koristite teksturne zidne boje ili premaze jer ćete zapušiti mlaznicu.

Da bi dobili najbolje rezultate, važno je da pripremite površine koje se boje i da rastvorite boju sa pravilnim viskozitetom. Uverite se da nema prašine, prljavštine i masnoća na površinama koje se boje.

Osigurajte se da su maskirane oblasti koje ne treba prskati, sa kvalitetnom trakom za maskiranje. Boja ili tečnost koja se prska treba dobro da se izmeša i da je bez grudvica ili drugih čestica. Mnoge supstance mogu da se prskaju pištoljem za prskanje, ali uvek da proveravate preporuke proizvođača, pre nego što kupite boju.

Razređivanje



Uvek isključite napajanje pre nego što napunite posudu za boju materijalom za prskanje.

Većina boja se isporučuje spremna za nanošenje četkom i moraju da se razređuju pre nego što budu pogodne za prskanje. Sledite savete proizvođača o razređivanju boje kada se koristi sa pištoljem za rasprskavanje. Viskozna posuda će vam pomoći da odredite tačnu viskoznost boje koja će se koristiti. Da biste utvrdili tačnu viskoznost, napunite posudu bojom do ivice. Izmerite koliko vremena treba da se posuda isprazni u konzervu.

U donjoj tabeli su prikazana preporučena vremena za različite vrste materijala.

Plastična i lateks boja	24 - 28 s
Boja na vodenoj bazi	20 - 25 s
Osnovne boje	24 - 28 s
Lakovi	20 - 25 s
Boje na bazi ulja	18 - 22 s
Email boje	18 - 22 s
Aluminijumske boje	22 - 25 s
Automobilsko podnožje	25 - 35 s
Osnovni premazi za drvo	28 - 35 s
Konzervans za drvo	Nije potrebno razređivanje
Lazurni lak za drvo	Nije potrebno razređivanje

Ako se boja prazni duže od preporučenog vremena za pražnjenje, onda je potrebno dodatno razređivanje.

Izmešajte malu količinu odgovarajućeg razređivača i koristite test viskoznosti dok se ne postigne ispravna gustina. Neki raspršivi materijali sadrže čestice i grudvice. Ove materijale treba prosejati pre punjenja posude za boju.

Prskanje

Sl. C

Napunite posudu za sa ispravno razređenom i prosejanom bojom. Priključite pištolj na napajanje. Usmerite pištolj za rasprskavanje na komad

otpadnog materijala i povucite okidač, dok se boja ne rasprska. Podešavajte dugme za regulaciju (2) dok ne dobijete potrebnu količinu boje. Okrenite dugme za regulaciju u pravcu kretanja kazaljki na satu (B) da biste smanjili protok i suprotno, (A) da biste povećali protok. Podešavanje kontrole izlaza će uticati na teksturu rasprskavanja. Siromašna tekstura rasprskavanja boje će koncentrisati boju u središtu prskanja i daće plitku završnu obradu. Dobra tekstura rasprskavanja boje daće ravnomerno raspoređivanje boje kroz teksturu.

Tehnike prskanja

SI. D

Da bi dobili najbolje rezultate, sve vreme održavajte nivo pištolja i paralelnost. Držite mlaznicu 25 - 30 cm od površine i prskajte ravnomerno od jedne ka drugoj strani ili na gore i na dole. Ne prskajte pod uglom jer ćete time da razlijete boju po radnoj površini. Upotrebljavajte glatke i ravomerene poteze. Prilikom prskanja velikih površina, koristite unakrsnu teksturu, kao što je prikazano.

SI. E

Nikada nemojte startovati ili zaustaviti pištolj za prskanje dok je usmeren na površinu koja se prska. Ravnomerno kontrolišite brzinu kretanja pištolja za prskanje. Velika brzina kretanja po površini daće tanak sloj, a mala brzina daće debeo sloj boje. Nanesite jedan sloj istovremeno. Ako je potreban dodatni sloj, vodite računa o preporukama o vremenu za sušenje pre nanošenja drugog sloja. Prilikom prskanja malih površina, držite dugme za podešavanje na niskom nivou.

Ovim ćete izbeći korištenje previše boje i sprečićete prekrivanje. Gde je moguće, izbegavajte zaustavljanje i započinjanje prskanja objekta. Ovo može dovesti do prevelikog ili nedovoljnog nanosa boje. Ne naklanjajte pištolj za prskanje više od 45°.

Ugradnja i upotreba fleksibilne mlaznice

SI. F

Fleksibilna mlaznica se koristi za prskanje ravnih ili horizontalnih površina. Takođe se koristi u područjima sa ograničenim pristupom. Da biste postavili fleksibilnu mlaznicu, odvrnite košnicu mlaznice i postavite fleksibilnu mlaznicu na svoje mesto. Zamenite košnicu mlaznice na kraju fleksibilne mlaznice i pritegnite je.

4. ODRŽAVANJE



Uverite se da je mašina isključena kada održavate motor.

Ova mašina je konstruisana da radi dugačak period, sa minimalnim održavanjem. Neprekidan, uspešan rad zavisi od nege mašine i od redovnog čišćenja.

Defektaža

1. Motor radi ali ne prska ili nepravilno prska

- Istrošena glava za mešanje.
 - *Zamenite glavu za mešanje.*
- Usisna cev nije u pravom položaju.
 - *Podesite usisnu cev.*
- Blokirana usisna cev.
 - *Očistite je razređivačem.*
- Zapušena mlaznica.
 - *Očistite mlaznicu*
- Zapušen filter.
 - *Očistite ga razređivačem.*
- Potrebno je podešavanje kontrolnog dugmeta.
 - *Podesite.*

2. Rasprskavanje nije dobro

- Podešavanje zapremine nije tačno.
 - *Podesite.*
- Boja je suviše tanka.
 - *Proverite viskoznost boje.*

3. Prevelik nanos boje

- Pištolj za prskanje nije čist ili nije podmazan, što dovodi do zaglavlivanja klipa u cilindru.
 - *Rasklopite pištolj za prskanje i očistite ga razređivačem.*
- Previše boje.
 - *Podesite zapreminu u smeru kazaljke na satu, kako biste smanjili prskanje. Dva tanka sloja su bolja od jednog debelog sloja.*
- Viskoznost je mnogo mala.
 - *Proverite viskoznost.*

4. Motor je glasnjiji od normalnog

- Pištolj za prskanje nije čist ili nije podmazan, što dovodi do zaglavlivanja klipa u cilindru.
 - *Rasklopite pištolj za prskanje i očistite ga razređivačem.*

5. Nema prskanja, nema zvuka

- Nema struje.
 - *Proverite napajanje.*

6. Radni zvuk nije u redu

- Loše podešavanje izlaza.
 - *Ponovo podesite.*
- Nema dovoljno boje u posudi zbog čega se usisava vazduh.
 - *Napunite bojom.*
- Nepravilno razređivanje ili nekompletno pomeranje usisne cevi.
 - *Proverite usisnu cev i nivo viskoznosti.*

7. „Narandžasta” koža prekomerno zamagljenje

- Koristi se nepavilan rastvor.
 - *Koristite pravilan rastvor.*
- Pištolj je predaleko od površine.
 - *Držite pištolj bliže objektu.*
- Boja je suviše tanka.
 - *Razredite boju*

Čišćenje i održavanje

Sl. G



Uvek isključite napajanje pre nego što čistite pištolj ili posudu za boju.

Od suštinskog značaja je da se pištolj temeljno čisti posle svake upotrebe. Ako ne čistite pištolj, sigurno će da se zapuši i može da ne radi sledeći put kada ga koristite! Garancijata ne pokriva čišćenje rasprskivača, koji nije bio odgovarajuće očišćen od strane korisnika. Nakon svake upotrebe preuzmite sledeće aktivnosti:

- Ispraznite preostali materijal iz posude.
- Temeljno očistite posudu pomoću razređivača koji se koristi za tu namenu.
- Sipajte malo razređivača u posudu i prskajte kroz pištolj sve dok iz mlaznice ne izađe samo čisti razređivač.
- Temeljno očistite usisnu cev i filter sa razređivačem.
- Očistite košnicu i mlaznicu i uklonite naslage.
- Okrenite pištolj za prskanje naopako i nanosite nekoliko kapi tankog ulja u dva otvora (F). Ovo će podmazati klip i cilindar.

Ako pištolj za prskanje zahteva dodatno unutrašnje čišćenje, možda će biti neophodno demontirati ga. Ako je to potrebno, preuzmite sledeće mere:

- Izvucite kabl iz struje.
- Uklonite posudu za boju, usisnu cev i filter.
- Odstranite sklop pumpe.
- Oslobodite mlaznicu (H), ventil (J), klip (K) i oprugu (L).
- Razređivačem temeljno očistite cilindar (M) i sve delove.
- Nanesite nekoliko kapi tankog ulja na klip, oprugu i cilindar.
- Ponovo montirajte pištolj za prskanje.

Podmazivanje

Uređaj ne treba dodatno podmazivati.

Kvarovi

Ako dođe do kvara zbog habanja dela, obratite se u servisni centar sa garantne kartice. Na kraju ovog uputstva dat je pregled delova, koje možete poručiti.

ZIVOTNA SREDINA

Da se spreči oštećenje za vreme transporta, uređaj se isporučuje u tvrdom pakovanju, koje se sastoji od materijala za jednokratnu upotrebu. Zato vas molimo da koristite opcije za recikliranje ambalaže.



Oštećeni i/ili iskorišćeni električni i elektronski uređaji moraju da se deponuju u stanicu za recikliranje.

Samo za zemlje iz EU

Ne deponujte alate sa kućnim otpadom. Prema Evropskom Uputstvu 2012/19/EU o otpadnoj električnoj i elektronskoj opremi i njegovoj implementaciji u nacionalnom pravu, električne alate koji su izvan upotrebe, treba sakupljati odvojeno i uklanjati ih na ekološki način.

GARANCIJA

Pročitajte garantne uslove u priloženoj garantnoj kartici.

**Proizvod i uputstva su predmet izmene.
Karakteristike se mogu menjati bez
predhodnog obaveštenja.**

ЭЛЕКТРИЧЕСКИЙ ПИСТОЛЕТ-РАСПЫЛИТЕЛЬ SGM1012

Благодарим вас за приобретение данного изделия Ferm. Теперь есть великолепный инструмент от одного из ведущих европейских поставщиков. Все изделия, которые поставляет вам Ferm, изготовлены в соответствии с высочайшими стандартами в отношении производительности и безопасности. Кроме того, мы предлагаем превосходное обслуживание заказчиков, которое поддерживается нашей комплексной гарантией - это часть нашей философии. Мы надеемся, что вы будете получать удовольствие от работы с этим инструментом в течение многих лет.

Цифры в тексте ниже относятся к иллюстрациям на странице 2 - 3.



Перед применением любого электротехнического изделия всегда читайте инструкцию. Это облегчит вам ознакомление с особенностями использования Вашего инструмента и позволит избежать ненужного риска. Сохраните эту инструкцию для дальнейшего использования.

Содержание

1. Технические характеристики
2. Руководство по безопасности
3. Инструкции по эксплуатации
4. Обслуживание

1. ТЕХНИЧЕСКИЕ ХАРАКТЕРИСТИКИ

Напряжение	220-240 В~
Частота	50 Гц
Потребляемая мощность	110 Вт
Максимальный расход через сопло	300г/мин
Объем контейнера	800 мл
Диаметр сопла	0,8 мм
Масса	1,75 кг
L_{pa} (мощность звукового давления)	91 дБ(А)
L_{wa} (уровень звуковой мощности)	102 дБ(А)
Значение вибрации	11,53 м/с ²

Осмотрите инструмент и принадлежности на наличие ущерба при перевозке.

Уровень вибрации

Уровень вибрации, указанный в конце данного руководства по эксплуатации был измерен в соответствии со стандартизированным испытанием, содержащимся в EN 60745; данная характеристика может использоваться для сравнения одного инструмента с другим, а также для предварительной оценки воздействия вибрации при использовании данного инструмента для указанных целей

- при использовании инструмента в других целях или с другими/неисправными вспомогательными приспособлениями уровень воздействия вибрации может значительно повышаться
- в периоды, когда инструмент отключен или функционирует без фактического выполнения работы, уровень воздействия вибрации может значительно снижаться

защищайте себя от воздействия вибрации, поддерживая инструмент и его вспомогательные приспособления в исправном состоянии, поддерживая руки в тепле, а также правильно организуя свой рабочий процесс

Информация об устройстве

Рис. А

1. Корпус двигателя
2. Ручка управления распылением
3. Выключатель
4. Рукоятка
5. Контейнер для краски
6. Корзинообразное распылительное сопло
7. Чашка для проверки вязкости

2. РУКОВОДСТВО ПО БЕЗОПАСНОСТИ

Символы



Обозначает опасность получения травмы, опасность повреждения для жизни или опасность повреждения инструмента в случае несоблюдения инструкций приведенных в настоящем описании.



Обозначает опасность поражения электрическим током.



Носите защитные перчатки.



Носите противопылевой респиратор. При работе с деревом, металлом и другими материалами может выделяться вредная для здоровья пыль. Запрещается работать с материалами, содержащими асбест!



Носите защитные очки.

Дополнительные инструкции по технике безопасности

- НИКОГДА НЕ РАСПЫЛЯЙТЕ НА ЛЮДЕЙ - Никогда не направляйте сопло на человека или животное. Не допускайте прямого контакта распыляемой струи с кожей.
- ТОЧКА ВСПЫШКИ - Данный распылитель нельзя использовать для распыления красок или растворителей с точкой вспышки ниже 32 °C
- ВЕНТИЛЯЦИЯ - Перед распылением обязательно проверьте, что в зоне выполнения работ имеется соответствующая вентиляция.
- КОРЗИНООБРАЗНОЕ СОПЛО - Во время пользования распылителем корзинообразное сопло должно быть на месте.
- ИЗУЧИТЕ ОКРУЖЕНИЕ ЗОНЫ ВЫПОЛНЕНИЯ РАБОТ - Не пользуйтесь распылителем в местах, где есть вероятность возникновения пожара или взрыва.
- ОСТЕРЕГАЙТЕСЬ ЛЮБОЙ ОПАСНОСТИ - Остерегайтесь любой опасности от распыляемого вещества и изучите маркировку на контейнере или информацию, предоставленную изготовителем.
- НЕ РАСПЫЛЯЙТЕ - Не распыляйте какое-либо вещество, о степени опасности которого неизвестно.
- ИСПОЛЬЗУЙТЕ СРЕДСТВО ДЛЯ ЗАЩИТЫ ГЛАЗ - Постоянно пользуйтесь соответствующим средством для защиты

глаз во избежание попадания опасных паров или дымов в глаза.

- **НОСИТЕ РЕСПИРАТОР** - Никогда не работайте с распылителем, не надев респиратор.
- **ЗАЩИЩАЙТЕ УШИ** - Носите средства защиты органов слуха, если звуковое давление превышает 85 дБ (А).
- **ПРОВОДИТЕ ОБСЛУЖИВАНИЕ ИНСТРУМЕНТА** - Содержите распылитель, контейнер для краски и сопла в чистоте. Не проводите очистку воспламеняющимися жидкостями с точкой вспышки ниже 32 °С. Периодически проверяйте силовой вывод, и в случае его повреждения поручите квалифицированному специалисту заменить его.
- **ОТКРЫТОЕ ПЛАМЯ** - Никогда не проводите распыление вблизи открытого огня или запального пламени приспособления.
- **КУРЕНИЕ** - Не курите во время распыления.
- **РАЗБАВЛЕНИЕ** - Перед использованием краски или других материалов обязательно ознакомьтесь с рекомендациями или инструкциями производителя по разбавлению.
- **ОТСОЕДИНИТЕ ПОДАЧУ ПИТАНИЯ** - При заполнении контейнера для краски или чистки распылителя обязательно отсоединяйте подачу питания.
- **ВЫКЛЮЧАЙТЕ, ЕСЛИ НЕ РАБОТАЕТЕ** - Избегайте работы устройства с полностью закрытой ручкой управления расходом в течение любого времени.



Мы не берем на себя ответственность за повреждения, вызванные применением неподходящих веществ или неправильно разбавленных красок, а также за опасности для здоровья, возникающие вследствие отсутствия вентиляции

Немедленно выключайте распылитель в следующих случаях:

- Разрывы в вилке питания, силовом проводе или при повреждении силового провода.
- Неисправности выключателя.
- Дым или неприятный запах споровшей изоляции.

Инструкции по технике безопасности

Для уменьшения риска возникновения пожара, поражения электрическим током и травмирования персонала соблюдайте действующие в Вашей стране правила техники безопасности при работе с электрооборудованием. Ознакомьтесь с инструкциями по безопасности включая инструкции, включенные в это руководство. Сохраняйте инструкции по технике безопасности в надежном месте!



Убедитесь, что напряжение источника питания соответствует напряжению, указанному на паспортной табличке.



Станок имеет двойную изоляцию; поэтому заземление не требуется.

Замена кабелей и вилок

Немедленно отправляйте в утиль старые кабели и сетевые вилки после замены на новые. Опасно включать в розетку кабели и вилки, не подсоединенные к оборудованию.

Использование удлинителей

Пользуйтесь только удлинителями, рассчитанными на потребляемую мощность станка. Минимальное сечение провода – 1,5 мм² При использовании удлинителя на катушке полностью разматывайте провод с катушки.

3. ИНСТРУКЦИИ ПО ЭКСПЛУАТАЦИИ

Подготовка к работе

Рис. В



Не используйте текстурированные малярные краски или покрытия, так как они приведут к засору сопла.

Для получения наилучших результатов очень важно до начала работы с распылителем подготовить поверхность для окраски и разбавить краску до нужной вязкости. На поверхности для окраски не должно быть пыли, грязи и смазки. Проверьте, что вы надежно закрыли области, которые не будут окрашиваться, качественной маскировочной лентой. Краска или жидкость для распыления

должна быть тщательно перемешана и не содержать комочков или иных частиц. Распылителем можно наносить многие вещества, но прежде чем купить краску для распыления, внимательно ознакомьтесь с рекомендациями производителя.

Разбавление



Не забывайте отсоединять подачу питания перед заправкой контейнера для краски распыляемым веществом.

Большинство красок поставляются готовыми к нанесению с помощью кисти и требуют разбавления, чтобы их можно было наносить распылителем. Следуйте инструкциям производителей по разбавлению краски для использования в распылителе. Чашка для определения вязкости поможет определить правильную вязкость. Для определения правильности вязкости наполните чашку краской до ободка. Отметьте, сколько времени потребуется, чтобы краска вытекла обратно в банку. В таблице показано рекомендуемое время для разных видов материалов.

Пластичная и латексная краска	24 - 28 секунд
Водоземлюсионная краска	20 - 25 секунд
Грунтовки	24 - 28 секунд
Лаки	20 - 25 секунд
Масляные краски	18 - 22 секунд
Эмали	18 - 22 секунд
Алюминиевые краски	22 - 25 секунд
Антикор для автомобилей	25 - 35 секунд
Грунтовки для древесины	28 - 35 секунд
Антисептики для древесины	Разбавление не требуется
Протрава для древесины	Разбавление не требуется

Если краска вытекает за более продолжительное время, чем рекомендовано, требуется ее разбавить. Добавьте небольшое количество соответствующего разбавителя и снова проведите проверку вязкости до получения требуемой степени. Некоторые распыляемые материалы содержат частицы и комочки. Их следует процедить перед заливкой в контейнер с краской.

Распыление

Рис. С

Заполните контейнер соответствующим образом разбавленной и процеженной краской. Подсоедините распылитель к подаче питания. Направьте распылитель на какой-либо ненужный материал и нажмите на выключатель до начала разбрызгивания краски. Отрегулируйте ручку управления распылением (2) до получения требуемого объема распыления. Для уменьшения расхода поверните ручку управления распылением по часовой стрелке (B), а для увеличения расхода - против часовой стрелки (A). Регулировка ручки управления распылением окажет влияние и на характер распределения распыляемого вещества. При некачественном характере распределения краска будет концентрироваться в центре и создавать неравномерную окраску по краям. Качественное распыление будет давать равномерное распределение краски по всей области нанесения.

Способы распыления

Рис. D

Для получения наилучших результатов постоянно держите распылитель ровно и параллельно поверхности. Держите сопло в 25 - 30 см от поверхности и равномерно распыляйте движениями из стороны в сторону или вверх-вниз. Не распыляйте под углом, так как это приведет к растрескиванию краски. Движения должны быть плавными и ровными. При окрашивании больших поверхностей лучше всего окрашивать так, как показано на рисунке.

Рис. E

Никогда не начинайте и не заканчивайте распыление, если распылитель направлен на окрашиваемую поверхность. Равномерно регулируйте скорость движения распылителя. Высокая скорость движения по поверхности приведет к образованию тонкого слоя, в то время как медленное движение даст толстый слой. За один раз наносите один слой. Если требуется нанести еще один слой, обязательно следуйте инструкциям производителя по срокам высыхания, прежде чем нанести второй слой. При окрашивании малых площадей

поставьте ручку управления распылением на малое значение, что позволит избежать чрезмерного расхода краски и избыточного распыления. По возможности избегайте остановок и повторного запуска распылителя при окрашивании объекта. Это может привести либо к избыточному, либо к недостаточному количеству наносимой краски. Не наклоняйте распылитель больше, чем на 45°.

Установка и применение гибкого сопла

Рис. F

Гибкий удлинитель для сопла используется для окрашивания плоских или горизонтальных поверхностей. Также применяется в местах с ограниченным доступом. Для установки гибкого сопла отвинтите корзинообразное сопло и на его место присоедините гибкое. Поместите корзинообразное сопло на конце гибкого удлинителя и затяните.

4. ОБСЛУЖИВАНИЕ



При выполнении работ по техническому обслуживанию двигателя убедитесь, что машина не находится я под нап я жением.

Машины фирмы созданы дл я работы в течении продолжительного промежутка времени при минимальном техническом обслуживании. Продолжительная удовлетворительна я работа зависит от соответствующего ухода за машиной и регул я рной очистки.

Поискиустранение неисправностей

1. Двигатель гудит, но не распыляет, или распыление нерегулярное

- Изношена вихревая головка.
- *Замените вихревую головку.*
- Наборная трубка для краски в неправильном положении.
- *Отрегулируйте наборную трубку.*
- Забита наборная трубка для краски.
- *Почистите ее разбавителем.*
- Забито сопло.
- *Почистите сопло.*
- Забит фильтр.
- *Почистите его разбавителем.*

- Ручка управления т ребует регулировки.
- *Отрегулируйте.*

2. Распыление невысокого качества

- Неправильная регулировка объема.
- *Отрегулируйте.*
- Краска слишком густая
- *Проверьте вязкость краски.*

3. Подача избыточного количества краски

- Распылитель не почищен или не смазан, что приводит к заклиниванию поршня в цилиндре
- *Разберите распылитель и почистите разбавителем.*
- Слишком много краски
- *Отрегулируйте объем, поворачивая по часовой стрелке для уменьшения. Два тонких слоя лучше, чем один толстый.*
- Вязкость слишком низкая
- *Проверьте вязкость*

4. Двигатель гудит сильнее обычного

- Распылитель не почищен или не смазан, что приводит к заклиниванию поршня в цилиндре.
- *Разберите распылитель и почистите разбавителем.*

5. Ни распыления, ни звука

- Нет электричества.
- *Проверьте подачу электропитания.*

6. Неправильный рабочий звук

- Плохая регулировка распыления.
- *Отрегулируйте.*
- Недостаточно краски в контейнере, что приводит к засасыванию.
- *Долейте краску.*
- Неправильно разбавлена или не полностью проходит по наборной трубке.
- *Проверьте наборную трубку и степень вязкости.*

7. Избыточное туманообразование “апельсиновая корка”

- Используется несоответствующий растворитель.
- *Применяйте соответствующий растворитель.*

- Распылитель слишком далеко расположен от поверхности.
- *Держите распылитель ближе к объекту.*
- Краска слишком густая.
- *Разбавьте краску.*

Чистка и техобслуживание

Рис. G



Не забывайте отсоединять подачу питания перед чисткой распылителя или контейнера для краски.

Очень важно тщательно чистить распылитель после каждого использования. Если не почистили, то из-за этого в следующий раз, когда захотите использовать распылитель, он не будет работать вследствие засорения! Гарантия не распространяется на чистку распылителя, который не был надлежащим образом почищен пользователем. После каждого использования должны выполняться следующие действия:

- Вылить оставшийся материал из контейнера.
- Тщательно почистить контейнер разбавителем, который использовался для краски.
- Влить немного разбавителя в контейнер и пропустить через распылитель, пока из сопла не начнет разбрызгиваться только один разбавитель.
- Тщательно почистить разбавителем наборную трубку для краски и фильтр.
- Почистить корзинку и сопло и удалить любой оставшийся мусор или краску.
- Перевернуть распылитель вверх ногами и нанести несколько капель жидкого масла на два отверстия (F). Тем самым смажутся поршень и цилиндр.

Если распылитель нуждается в дополнительной внутренней чистке, может потребоваться его разборка. В таком случае предпринимаются следующие действия:

- Выньте вилку из сетевой розетки.
- Снимите контейнер для краски, наборную трубку для краски и фильтр.
- Снимите насосный узел.
- Освободите сопло (H), клапан (J), поршень (K) и пружину (L).

- Тщательно почистите растворителем цилиндр (M) и все детали.
- Нанесите несколько капель жидкого масла на поршень, пружину и цилиндр.
- Соберите распылитель.

Смазка

Машина не нуждается в дополнительной смазке.

Неисправности

В случае неисправности, напр., после износа какой-либо части, обратитесь по адресу пункта обслуживания, указанному в гарантийном талоне. Покомпонентное представление изображения частей, которые можете заказать, вы найдете на последней странице руководства.

ЗАЩИТА ОКРУЖАЮЩЕЙ СРЕДЫ

Во избежание транспортных повреждений изделие поставляется в прочной упаковке. Значительная часть материалов упаковки подлежит утилизации, поэтому просим передать упаковку в соответствующую специализированную организацию.



Неисправный и/или бракованный электрический или электронный прибор должен быть утилизирован должным образом.

Только для стран ЕС

Не выбрасывайте электроинструмент вместе с бытовым мусором. В соответствии с Европейским руководством 2012/19/ EU по "Утилизации электрического и электронного оборудования" и национальными законодательными актами электроинструмент, который больше не используется, необходимо собирать отдельно и утилизировать безопасным для окружающей среды образом.

ΓΑΡΑΝΤΙΑ

Услови я гарантии вы найдёте в отдельно прилагаемом гарантийном талоне.

Изделие и руководство пользователя могут быть изменены. Технические характеристики могут быть изменены без дальнейшего уведомления

ΗΛΕΚΤΡΙΚΌ ΠΙΣΤΌΛΙ ΒΑΦΉΣ SGM1012

Σας ευχαριστούμε που επιλέξατε να αγοράσετε αυτό το προϊόν της Ferm. Τώρα πλέον διαθέτετε ένα εξαιρετικό προϊόν, κατασκευασμένο από έναν από τους μεγαλύτερους προμηθευτές της Ευρώπης. Όλα τα προϊόντα που προμηθεύεστε από τη Ferm κατασκευάζονται σύμφωνα με τα υψηλότερα πρότυπα απόδοσης και ασφάλειας. Ως μέρος της φιλοσοφίας μας, παρέχουμε επίσης άριστη εξυπηρέτηση πελατών, συνοδευόμενη από την πλήρη εγγύησή μας. Ελπίζουμε ότι θα μείνετε ευχαριστημένοι από τη χρήση αυτού του προϊόντος για πολλά χρόνια.

Οι αριθμοί που περιέχονται στο κείμενο αναφέρονται στα διαγράμματα, που υπάρχουν στις σελίδες 2-3



Πριν τη χρήση της συσκευής διαβάστε με λεπτομέρεια τις παρόν οδηγίες χρήσης. Ενημερωθείτε με τις λειτουργίες και τη βασική εξυπηρέτηση. Χειριστείτε τη συσκευή πάντα σύμφωνα με τις οδηγίες, να εξασφαλιστεί η σωστή λειτουργικότητά της. Οι οδηγίες χρήσης και το συνοδευόμενο τεχνικό έγγραφο πρέπει να βρίσκεται πλησίον της συσκευής.

Περιεχόμενα

1. Δεδομένα μηχανήματος
2. Οδηγίες ασφαλείας
3. Οδηγίες χειρισμού

1. ΔΕΔΟΜΕΝΑ ΜΗΧΑΝΗΜΑΤΟΣ

Τάση	220-240 V~
Συχνότητα	50 Hz
Ισχύς εισόδου	110 W
Μέγιστη παροχή ακροφυσίου	300 ml/min
Χωρητικότητα δοχείου	800 ml
Διάμετρος ακροφυσίου	0,8 mm
Βάρος	1,75 κιλά
L_{pa} (δυναμικότητα ηχητικής πίεσης)	91 dB (A)
L_{wa} (στάθμη ηχητικής ισχύος)	102 dB (A)
Κραδασμοί	11,53 m/s ²

Ελέγξατε το μηχανήμα, τα εξαρτήματα και τα αξεσουάρ για τυχόν ζημιές κατά την μεταφορά τους.

Επίπεδο κραδασμών

Το επίπεδο παραγωγής κραδασμών που αναγράφεται στ πίσω μέρος του παρόντος εγχειρίδι οδηγιών έχει μετρηθεί σύμφωνα με μια τυποποιημένη δικμή που αναφέρεται στο πρότυπο EN 60745 - μπορεί να χρησιμοποιηθεί για τη σύγκριση ενός εργαλείου με ένα άλλο, καθώς και ως προκαταρκτική αξιολόγηση της έκθεσης στους κραδασμούς όταν το εργαλείο χρησιμοποιείται για τις εφαρμογές που αναφέρονται

- η χρήση του εργαλείου για διαφορετικές εφαρμογές ή με διαφορετικά ή κακοσυντηρημένα εαρτήματα μπορεί να αυξήσει σημαντικά το επίπεδο έκθεσης
- όταν το εργαλείο είναι απενεργοποιημένο ή δυλεύει αλλά δεν εκτελεί την εργασία, το επίπεδο έκθεσης μπορεί να μειωθεί σημαντικά

! προστατευτείτε απο τις επιδράσεις των κραδασμών συντηρώντας σωστά το εργαλείο και τα εξαρτήματά τθου, διατηρώντας τα χέρια σας ζεστά και οργανώνοντας τον τρόπο εργασίας σα

Το επίπεδο παραγωγής κραδασμών που αναγράφεται στ πίσω μέρος του παρόντος

1. Περιβλημα μοτέρ
2. Ρυθμιστική ισχύος
3. Σκανδάλη
4. Λαβή
5. Δοχείο χρώματος
6. Κύπελλο ακροφυσίου
7. Κύπελλο ιξώδους

2. ΟΛΗΓ΄ΟΕΣ ΑΣΦΑΛΕ΄ΟΑΣ



Επισημαίνει τον κίνδυνο πρόκλησης σωματικών βλαβών, θανάτου ή βλάβης στο μηχάνημα σε περίπτωση μη τήρησης των οδηγιών που αναγράφονται σε αυτό το εγχειρίδιο.



Επισημαίνει τον κίνδυνο ηλεκτροπληξίας.



Φοράτε προστατευτικά γάντια.



Φορέσατε μία μάσκα προστασίας απτί την σκίνη. Η εργασία με ξύλο, μέταλλα και άλλα υλικά, ενδέχεται να παράγει σκίνη η οποία είναι επικίνδυνη για την υγεία σας. Μην εργάζεσθε με υλικά που περιέχουν αμιάντο.



Φοράτε γυαλιά ασφαλείας.

- Ποτέ μην ψεκάξετε σε άτομα - Ποτέ μην κατευθύνετε το ακροφύσιο προς άλλο άτομο ή ξώο. Ποτέ μην αφήνετε το εκνέφωμα να έρχεται σε απευθείας επαφή με το δέρμα.
- Σημείο ανάφλεξης - Το πιστολέτο βαφής αυτί δεν θα πρέπει να χρησιμοποιείται για τον ψεκασμί εύφλεκτων χρωμάτων και διαλυτικών με σημείο ανάφλεξης κάτω των 32 °C.
- Εξαερισμfis - Να εξασφαλίξετε πάντοτε επαρκή αερισμfi στο χώρο εργασίας κατά τον ψεκασμί.
- Κύπελλο ακροφυσίου - Το κύπελλο ακροφυσίου θα πρέπει να βρίσκεται πάντα στη θέση του κατά τον ψεκασμί.
- Πάβετε υπτίψη το περιβάλλον εργασίας - Μην χρησιμοποιείτε το πιστολέτο βαφής εάν υπάρχει κίνδυνος πυρκαγιάς ή έκρηξης.
- Προσέξτε τυχθιν κινδύνους - Προσέξτε για τυχθιν κινδύνους απτί το ψεκαξίμενο υλικfi και συμβουλευθείτε τις ενδείξεις που υπάρχουν στο δοχείο, ή τις πληροφορίες που παρέχει ο κατασκευαστής.
- Μην ψεκάξετε - Μην ψεκάξετε κάποιο υλικfi, του οποίου οι σχετικοί κίνδυνοι είναι άγνωστοι.
- Προφυλάξτε τα μάτια σας - Να φοράτε πάντοτε κατάλληλα προστατευτικά γυαλιά για να μην έρχονται τα μάτια σε επαφή με επικίνδυνους ατμούς ή αναθυμιάσεις.
- Φορέστε μάσκα - Ποτέ μη χειρίζεστε πιστολέτο βαφής χωρίς προσωπίδα.
- Προφυλάξτε τα αυτιά σας - Φορέστε ωτοασπίδες εάν η ηχητική πίεση υπερβαίνει τα 85 dB(A).
- Συντηρήστε τα εργαλεία σας - Φροντίστε να είναι καθαρά το πιστολέτο βαφής, το δοχείο χρώματος και τα ακροφύσια σας. Μην καθαρίζετε με εύφλεκτα υγρά, το σημείο ανάφλεξης των οποίων είναι κάτω απτί τους 32 °C. Επιθεωρήστε περιοδικά το καλώδιο ρεύματος και εάν είναι φθαρμένο, ξητήστε να σας το αντικαταστήσει τεχνικός με τις κατάλληλες γνώσεις.

3. ΟΔΗΓΙΕΣ ΧΕΙΡΗΣΜΟΥ

- Γυμνή φλίγα - Ποτέ μην ψεκάξετε κοντά σε γυμνή φλίγα ή στην φλίγα - οδηγί κάποια συσκευής.
- Κάπνισμα - Ποτέ μην καπνίζετε κατά τον ψεκασμί.
- Αραίωμα - Να διαβάξετε πάντα τις συστάσεις ή οδηγίες του κατασκευαστή του χρώματος σχετικά με την αραίωση, πριν απί τη χρήση χρωμάτων ή άλλων υλικών.
- Βγάλτε το εργαλείο απί την πρίξα - ια πρέπει πάντα να βγάξετε το εργαλείο απί την πρίξα κατά το γέμισμα του δοχείου χρώματος ή κατά τον καθαρισμί του πιστολέτου βαφής.
- Σβήνετε το εργαλείο φιταν δεν ψεκάξετε - Αποφύγετε να λειτουργεί η μονάδα φιταν το περιτροφοικί κουμπί παροχής είναι τελείως κλειστί για οποιοδήποτε χρονικί διάστημα.

προκαλούμενη απί την χρήση ακατάλληλων ουσιών ή χρωμάτων τα οποία δεν έχουν αρωθει σωστά, και για τυχίν κινδύνους για την υγεία που προκύπτουν λφίω ανεπαρκούς εξαερισμού. πρίξα ή εάν η τελευταία παρουσιάζει βλάβη.

- Ο διακίπτης είναι ελαττωματικίς
- Αναδίδεται καπνίς ή μυρίξει καμένο μονωτικί.

Όταν χρησιμοποιείτε ηλεκτρικά εργαλεία να τηρείτε πάντα τους κανίνες ασφαλείας που ισχύουν στη χώρα σας, για να περιορίσετε τον κίνδυνο πυρκαγιάς, ηγεκτροπληξίας και τραυματισμού. Διαβάστε τις εσωκλειφίμενες οδηγίες ασφαλείας. Φυλάξετε αυτές τις οδηγίδς σε ασφαλές μέρος.



Να ελέγγετε πάντα αν η τροφοδοσία ηλεκτρικού ρεύματος αντιστοιχεί στην ηλεκτρική τάση που αναγράφεται στην πινακίδα τεχνικών στοιχείων του μηχανήματος. – δεν απαιτείται γειωμένος

Πετάξετε αμέσως το πλίφι καλώδιο ή φισ, αφού τα αντικαταστήσετε με καινούργιο. Είναι επικίνδυνο να βάλετε στην πρίξα το φισ ενίς κομμένου Χρησιμοποιήστε μfίνο εγκεκρμένο καλώδιο, κατάλληλο για την ισχύ εισίδου του μηχανήματος. Το ελάχιστο μέγεθος αγωγού είναι 1,5 mm². Όταν χρησιμοποιείτε μπαλαντέζα

Για να επιτύχετε το καλύτερο δυνατί αποτέλεσμα, σημαντική είναι η προετοιμασία της επιφάνειας προς βαφή και η αραίωση του χρώματος στο κατάλληλο ιξώδες, προτού χρησιμοποιήσετε το πιστολέτο βαφής σας. ια πρέπει πάντα να εξασφαλίξετε fίτι οι επιφάνειες που θα ψεκαστούν είναι απαλλαγμένες απί σκίνες, ακαθαρσίες και λίπη. εεβαιωθείτε fίτι έχετε καλύψει τις επιφάνειες που δε θα πρέπει να βαφτούν με καλής ποιίτητας ταινία επικάλυψης. Το προς ψεκασμί χρώμα ή υγρfί θα πρέπει να ανακατευτεί πολύ καλά και να μην περιέχει σβώλους ή άλλα σωματίδια. Πολλές είναι οι ουσίες που μπορούν να ψεκαστούν με το πιστολέτο βαφής σας, αλλά πάντα θα πρέπει να συμβουλευέστε τις υποδείξεις του κατασκευαστή πριν απί την προμήθεια των χρωμάτων σας.

Αραίωση αποσυνδέετε το εργαλείο απί το ρεύμα πριν απί την πλήρωση του δοχείου χρώματος με το προς ψεκασμί υλικί.

Τα περισσότερα χρώματα πωλούνται έτοιμα για εφαρμογή με πινέλο και χρειάζονται αραίωση για να γίνουν κατάλληλα για ψεκασμί. Ακολουθήστε τις συμβουλές του κατασκευαστή σε fί,τι αφορά το αραίωση του χρώματος φιταν πρfίκειται να χρησιμοποιηθεί με πιστολέτο βαφής. Το κύπελλο ιξώδους μπορεί να σας βοηθήσει να προσδιορίσετε το σωστί ιξώδες του χρώματος που θα χρησιμοποιηθεί. Για να προσδιορίσετε το σωστί ιξώδες, γεμίστε το κύπελλο μέχρι το χείλος του με χρώμα. Στη συνέχεια μετρήστε το χρfίνο που χρειάζεται για να αδειάσει το κύπελλο μέσα στο δοχείο.

Στον παρακάτω πίνακα παρατίθενται συνιστώμενοι χρfίνοι για διάφορα είδη υλικών.

Πλαστική χρώμα και latex	24 - 28 δευτερfίλεπτα
Υδατοδιαλυτί χρώμα	20 - 25 δευτερfίλεπτα
Αστάρια	24 - 28 δευτερfίλεπτα
Βερνίκια	20 - 25 δευτερfίλεπτα
Λαδομπογιές	18 - 22 δευτερfίλεπτα
Εμαγιέ χρώματα	18 - 22 δευτερfίλεπτα
Χρώματα αλουμινίου	22 - 25 δευτερfίλεπτα
Πίσσα για πισάρισμα αυτοκινήτω	25 - 35 δευτερfίλεπτα
Στεγανοποιητικά ξύλου	28 - 35 δευτερfίλεπτα
Συντηρητικά ξύλου	Δεν χρειάζεται αραίωση

Εάν το χρώμα χρειάζεται χρίνο μεγαλύτερο απτί το συνιστώμενο για να αδειάσει, ττίτε χρειάζεται και άλλη αραίωση. Ανακατέψτε μία μικρή ποσότητα απτί το κατάλληλο διαλυτική και χρησιμοποιείστε την δοκιμή ιξώδους μέχρι να επιτευχθεί η επιθυμητή πυκνότητα. Μερικά ψεκαξιμένα υλικά περιέχουν σωματίδια και σβώλους. Τα υλικά αυτά θα πρέπει να περνούν απτί σήτα πριν απτί το γέμισμα του δοχείου χρώματος.

Ψεκασμίς

Γεμίστε το δοχείο χρώματος με κατάλληλα αραιωμένο και στραγγισμένο χρώμα. Συνδέστε το πιστολέτο βαφής στο ρεύμα. Σκοπεύστε προς ένα κομμάτι άχρηστο υλική και πατήστε τη σκανδάλη μέχρι να εκτοξευτεί χρώμα. Ρυθμίστε το χειριστήριο εξιδου (2) μέχρι ο ψεκασμίς να γίνεται με την απαιτούμενη ποσότητα χρώματος. Γυρίστε το ρυθμιστική εξιδου προς τα δεξιά (ε) για να ελαττώστε την παροχή ή προς τα αριστερά (Α) για να την αυξήσετε. Η αλλαγή του ρυθμιστικού εξιδου έχει επίδραση στο σχήμα της βαφής.

Εάν το σχήμα αυτί είναι ατελές ττίτε το χρώμα θα συγκεντρώνεται στο κέντρο του νέφους και στην επιφάνεια θα σχηματίζονται βούλες. Το σχήμα της βαφής είναι καλή φταν η κατανομή του χρώματος καθ' φίλο το σχήμα είναι ομοιόμορφη.

Τεχνικές ψεκασμού

Εικ. D

Για να επιτύχετε το καλύτερο δυνατή αποτέλεσμα, φροντίστε το πιστολέτο βαφής σας να είναι πάντοτε επίπεδο και παράλληλο με την επιφάνεια. Κρατήστε το ακροφύσιο στα 25 - 30 εκ. απτί την επιφάνεια και ψεκάστε ομοιόμορφα απτί την μία πλευρά στην άλλη ή επάνω - κάτω. Μην ψεκάξετε υπή γωνία δίφτι έτσι το χρώμα θα αρχίσει να τρέχει. ψεκάστε με ομαλές και ομοιόμορφές κινήσεις. κατά τον ψεκασμί μεγάλων επιφανειών, κινηθείτε ακολουθώντας μία διασταυρούμενη μορφή φίπως εικονίζεται.

Εικ. E

Ποτέ μην ξεκινάτε ή σταματάτε το πιστολέτο βαφής φταν αυτί είναι στραμμένο στην επιφάνεια προς βαφή. Ελέγξτε ομοιόμορφα την ταχύτητα κίνησης του πιστολέτου βαφής.

Μεγάλη ταχύτητα μετακίνησης επάνω απτί την επιφάνεια θα έχει σαν αποτέλεσμα λεπτή στρώμα χρώματος ενώ η μικρή ταχύτητα θα έχει σαν αποτέλεσμα παχύ στρώμα. Απλώστε ένα χέρι σε κάθε πέρασμα. Εάν χρειάζεται και άλλο χέρι, ακολουθήστε τις υποδείξεις του κατασκευαστή σχετικά με το χρίνο στεγνώματος πριν απτί το πέρασμα του δεύτερου χεριού.. Κατά τη βαφή μικρών επιφανειών, το ρυθμιστική παροχής θα πρέπει να είναι ρυθμισμένο χαμηλά. ΟΕτσι θα αποφευχθεί η εκτίξευση υπερβολικής ποσότητας χρώματος. Εάν είναι δυνατή, κατά τον ψεκασμί ενφς αντικειμένου αποφυγέτε να σταματάτε και να ξεκινάτε, δίφτι κάτι τέτοιο μπορεί να προκαλέσει την εφαρμογή υπερβολικά μεγάλης ή υπερβολικά μικρής ποσότητας χρώματος. Μην στρέφετε το πιστολέτο βαφής σε κλίση μεγαλύτερη απτί 45°.

Τοποφέτηση και χρήση του εύκαμπτου ακροφυσίου

Εικ. F

Η εύκαμπτη προέκταση ακροφυσίου θα πρέπει να χρησιμοποιείται για τον ψεκασμί επίπεδων ή οριζίντων επιφανειών.

Θα πρέπει επίσης να χρησιμοποιείται σε σημεία φίπου η πρίσβαση είναι περιορισμένη. Για να τοποθετήστε το εύκαμπτο ακροφύσιο, ξεβιδώστε το κύπελλο ακροφυσίου και μοντάρετε το εύκαμπτο ακροφύσιο στη θέση του. Ξαναβάλετε το κύπελλο ακροφυσίου στο



Φροντίστε να μην είναι το μηχάνημα στην πρίζα, όταν κάνετε εργασία συντήρησης στο μοτέρ.

1. Το μοτέρ ακούγεται αλλά δεν ψεκάξει ή ψεκάξει ακανόνιστα

- Η κεφαλή στροβιλισμού είναι φθαρμένη.
 - Αντικαταστήστε την κεφαλή στροβιλισμού.
- Το σωληνάκι απορρίφησης δεν είναι στη σωστή θέση.
 - Ρυθμίστε Ξανά το σωληνάκι απορρίφησης.
- Το σωληνάκι απορρίφησης είναι βουλωμένο.
 - Καθαρίστε το με διαλυτική.
- Το ακροφύσιο είναι βουλωμένο.
 - Καθαρίστε το ακροφύσιο.
- Το φίλτρο είναι βουλωμένο
 - Καθαρίστε το με διαλυτική.
- λ ρυθμιστικής διακίπτης χρειάζεται ρύθμιση.
 - Ρυθμίστε.

2. Το εκνέφωμα δεν ποσίτητας δεν είναι η σωστή

- Η ρύθμιση της γίνεται σωστά.
- *Ρυθμίστε.*
- Το χρώμα είναι υπερβολικά πηχτί.
- *Ελέγξτε το ιξώδες του χρώματος.*

3. Η ποσότητα χρώματος που έπεσε είναι υπερβολικά μεγάλη

- Το πιστολέτο βαφής δεν είναι καθαρή ή δεν έχει λίπανση, με αποτέλεσμα το έμβολο να κολλάει μέσα στον κύλινδρο.
- *Αποσυναρμολογήστε το πιστολέτο βαφής και καθαρίστε το με διαλυτική.*
- Υπερβολικά πολύ χρώμα.
- *Ρυθμίστε την ποσότητα προς τα δεξιά για να ελαττωθεί η ποσότητα. Δύο λεπτά στρώματα είναι προτιμότερα από ένα παχύ.*
- Το ιξώδες είναι πολύ χαμηλή.
- *Ελέγξτε το ιξώδες.*

4. Το μοτέρ ακούγεται περισσότερο από το κανονικό

- Το πιστολέτο βαφής δεν είναι καθαρή ή δεν έχει λίπανση, με αποτέλεσμα το έμβολο να κολλάει μέσα στον κύλινδρο.
- *Αποσυναρμολογήστε το πιστολέτο βαφής και καθαρίστε το με διαλυτική.*

5. Δεν ψεκάζει και δεν ακούγεται ήχος

- Δεν υπάρχει ρεύμα.
- *Ελέγξτε την τροφοδοσία ρεύματος.*

6. Ο ήχος κατά τη λειτουργία είναι ασυνήθιστος

- Η ρύθμιση της εξίδου δεν είναι σωστή.
- *Ρυθμίστε εκ νέου.*
- Στο δοχείο δεν υπάρχει αρκετό χρώμα με αποτέλεσμα να απορροφάται αέρας.
- *Καναγεμίστε χρώμα.*
- Δεν γίνεται σωστά η διάλυση ή δεν περνά τελειώς από το σωλήνα απορρίφησης.
- *Ελέγξτε το σωλήνα απορρίφησης και την στάθμη του ιξώδους.*

7. Παράγεται υπερβολικά λεπτόκοκκο νέφος

- Δεν χρησιμοποιείται το σωστό διαλυτικό
- *Χρησιμοποιήστε το σωστό διαλυτικό.*
- Το πιστολέτο βαφής είναι υπερβολικά μακριά από την επιφάνεια.
- *Κρατήστε το πιστολέτο βαφής πλησιέστερα*

στο αντικείμενο.

- Το χρώμα είναι υπερβολικά πηχτί.
- *Αραιώστε το χρώμα.*

Καθαρισμός και συντήρηση

Εικ. G



Θυμηθείτε ότι θα πρέπει πάντα να αποσυνδέετε το εργαλείο από το ρεύμα πριν από τον καθαρισμό του πιστολέτου βαφής ή του δοχείου χρώματος.

Βασικής σημασίας είναι ο καθαρισμός του πιστολέτου βαφής μετά από κάθε χρήση. Τυχόν αμέλεια καθαρισμού του είναι σχεδόν βέβαιο ότι θα έχει σαν συνέπεια το βούλωμα του και αυτή ενδέχεται να μη λειτουργεί την επόμενη φορά που θα χρειαστεί να το χρησιμοποιήσετε! Η εγγύηση δεν καλύπτει την περίπτωση καθαρισμού εντός ψεκαστήρα ο οποίος δεν έχει καθαριστεί σωστά από τον χρήστη. Μετά από κάθε χρήση, θα πρέπει να ακολουθείται η απομείνει στο δοχείο.

- καθαρίστε καλά το δοχείο με το διαλυτικό το οποίο είχατε χρησιμοποιήσει.
- Αδειάστε λίγο διαλυτικό μέσα στο δοχείο και ψεκάστε καλά με το πιστολέτο μέχρι από το ακροφύσιο να αρχίσει να βγαίνει μόνο καθαρό διαλυτικό.
- Καθαρίστε καλά το σωληνάκι απορρίφησης χρώματος και το φίλτρο με διαλυτικό.
- Καθαρίστε το κύπελλο και το ακροφύσιο, και αφαιρέστε τυχόν άλλες ακαθαρσίες ή χρώμα το οποίο έχει απομείνει.
- Αναποδογυρίστε το πιστολέτο βαφής και ρίξτε μερικές σταγόνες λεπτίρρευστο λάδι στα δύο διαφράγματα (F). Με τον τρίψιμο αυτή λιπαίνεται το έμβολο και ο κύλινδρος.

Εάν το πιστολέτο βαφής σας χρειάζεται περαιτέρω εσωτερική καθαρισμό, ίσως

- χρειαστεί η αποσυναρμολόγησή του. Εάν αυτή
- Βγάλτε το δοχείο χρώματος, το σωληνάκι απορρίφησης και το φίλτρο.
- Βγάλτε το συγκρίτημα της αντλίας.
- Απελευθερώστε το ακροφύσιο (H), τη βαλβίδα (J), το έμβολο (K) και το ελατήριο (L).
- Καθαρίστε καλά τον κύλινδρο (M) και φιλα τα εξαρτήματα με διαλυτικό.
- Ρίξτε μερικές σταγόνες λεπτίρρευστο λάδι στο έμβολο, το ελατήριο και τον κύλινδρο.
- Επανασυναρμολογήστε το πιστολέτο βαφής.

Λίπανση

Το μηχάνημα δε χρειάζεται πρόσθετη λίπανση.

Βλάβες

Σε περίπτωση που προκύψει κάποια βλάβη σαν αποτέλεσμα της φθοράς κάποιου εξαρτήματος, σας παρακαλούμε να επικοινωνήσετε με το κέντρο τεχνικής υποστήριξης στη διεύθυνση που αναγράφεται στην κάρτα εγγύησης.

Ένα σχέδιο των ανταλλακτικών που μπορείτε να προμηθευτείτε περιλαμβάνεται στο πίσω μέρος αυτών των οδηγιών χρήσης.

Περιβάλλον

Για την αποφυγή ζημιών κατά τη μεταφορά, το μηχάνημα παραδίδεται σε μια γερή συσκευασία, η οποία αποτελείται κυρίως από ανακυκλώσιμα υλικά. Σας παρακαλούμε να φροντίσετε για την ανακύκλωση της συσκευασίας.



Ελαττωματικά και / ή απορριμμένα ηλεκτρικά ή ηλεκτρονικά αντικείμενα πρέπει να συλλέγονται στις κατάλληλες τοποθεσίες ανακύκλωσης.

Μόνο για χώρες της ΕΕ

Μην απορρίπτετε ηλεκτρικά εργαλεία στα οικιακά απόβλητα. Σύμφωνα με την Ευρωπαϊκή Οδηγία 2012/19/EU για Απορριπτόμενο Ηλεκτρικό και Ηλεκτρονικό Εξοπλισμό και την εφαρμογή της στο εθνικό δίκαιο, τα ηλεκτρικά εργαλεία που έχουν παύσει να είναι χρησιμοποιήσιμα πρέπει να συλλέγονται ξεχωριστά και να απορρίπτονται με τρόπο φιλικό προς το περιβάλλον.

Εγγυηση

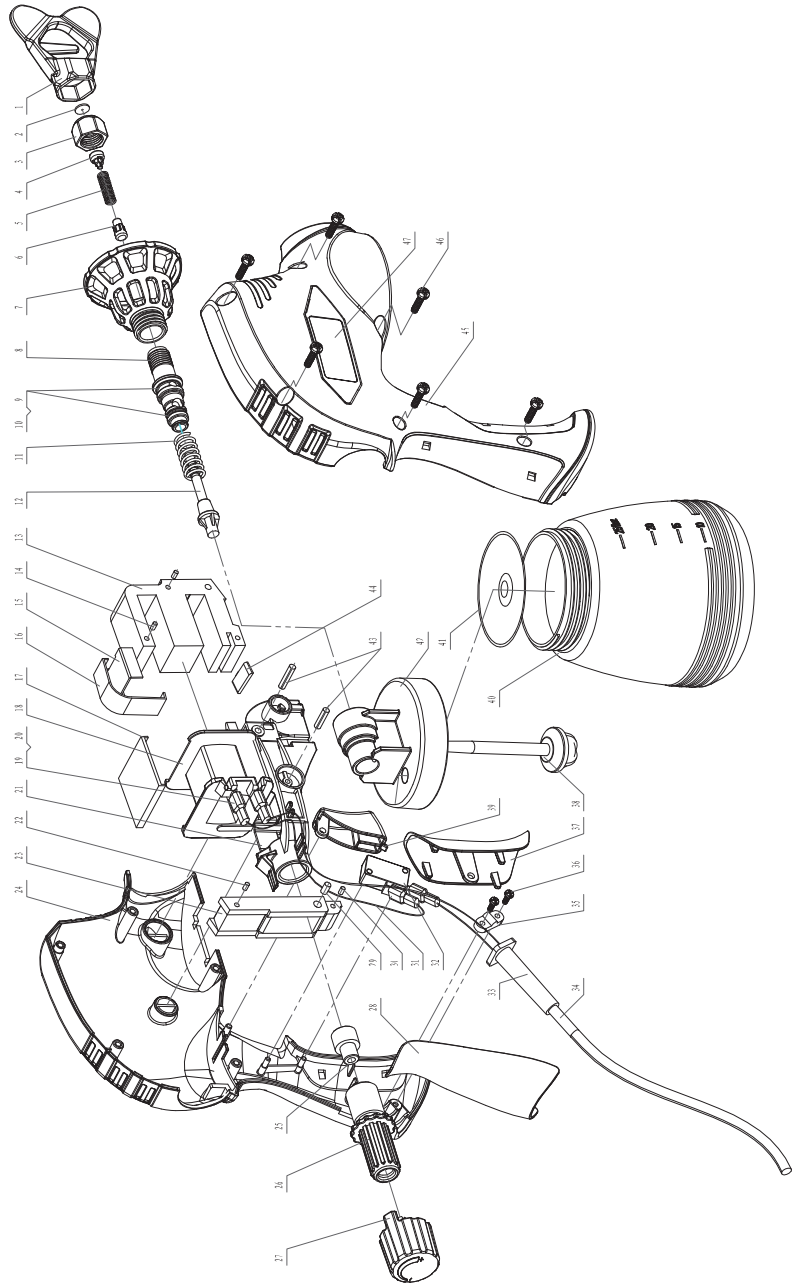
Οι όροι εγγύησης αναγράφονται στην εσωκλειμενη κάρτα εγγύησης που διατίθεται ξεχωριστά.

Το προϊόν και το εγχειρίδιο χρήσης μπορεί να αλλάξουν. Οι προδιαγραφές μπορούν να τροποποιούνται χωρίς προειδοποίηση.

Spare parts list**SGM1012**

No.	Description	Position
402424	Spanner set	1,2
402425	Nozzle	3
402426	Piston complete	4-12
402427	Regulation unit	25-27
402428	Switch	32
402429	Suction tube	38
402430	Container	40

Exploded view





DECLARATION OF CONFORMITY SGM1012 - ELECTRICAL SPRAY GUN

- (EN) We declare under our sole responsibility that this product is in conformity with directive 2011/65/EU of the European parliament and of the council of 8 June on the restriction of the use of certain hazardous substances in electrical and electronic equipment is in conformity and accordance with the following standards and regulations:
- (DE) Der Hersteller erklärt eigenverantwortlich, dass dieses Produkt der Direktive 2011/65/EU des Europäischen Parlaments und des Rats vom 8. Juni 2011 über die Einschränkung der Anwendung von bestimmten gefährlichen Stoffen in elektrischen und elektronischen Geräten entspricht. den folgenden Standards und Vorschriften entspricht.
- (NL) Wij verklaren onder onze volledige verantwoordelijkheid dat dit product voldoet aan de conform Richtlijn 2011/65/EU van het Europees Parlement en de Raad van 8 juni 2011 betreffende beperking van het gebruik van bepaalde gevaarlijke stoffen in elektrische en elektronische apparatuur en in overeenstemming is met de volgende standaarden en reguleringen.
- (FR) Nous déclarons sous notre seule responsabilité que ce produit est conforme aux standards et directives suivants: est conforme à la Directive 2011/65/EU du Parlement Européen et du Conseil du 8 juin 2011 concernant la limitation d'usage de certaines substances dangereuses dans l'équipement électrique et électronique.
- (ES) Declaramos bajo nuestra exclusiva responsabilidad que este producto cumple con las siguientes normas y estándares de funcionamiento: se encuentra conforme con la Directiva 2011/65/UE del Parlamento Europeo y del Consejo de 8 de junio de 2011 sobre la restricción del uso de determinadas sustancias peligrosas en los equipos eléctricos y electrónicos.
- (PT) Declaramos por nossa total responsabilidade-de que este produto está em conformidade e cumpre as normas e regulamentações que se seguem: está em conformidade com a Directiva 2011/65/UE do Parlamento Europeu e com o Conselho de 8 de Junho de 2011 no que respeita à restrição de utilização de determinadas substâncias perigosas existentes em equipamento eléctrico e electrónico.
- (IT) Dichiariamo, sotto la nostra responsabilità, che questo prodotto è conforme alle normative e ai regolamenti seguenti: è conforme alla Direttiva 2011/65/UE del Parlamento Europeo e del Consiglio dell'8 giugno 2011 sulla limitazione dell'uso di determinate sostanze pericolose nelle apparecchiature elettriche ed elettroniche.
- (SV) Vi garanterar på eget ansvar att denna produkt uppfyller och följer följande standarder och bestämmelser: uppfyller direktiv 2011/65/EU från Europeiska parlamentet och EG-rådet från den 8 juni 2011 om begränsningen av användning av farliga substanser i elektrisk och elektronisk utrustning.
- (FI) Vakutamme yksinomaan omalla vastuullamme, että tämä tuote täyttää seuraavat standardit ja säädökset: täyttää Euroopan parlamentin ja neuvoston 8. kesäkuuta 2011 päivätyn direktiivin 2011/65/EU vaatimukset koskien vaarallisten aineiden käytön rajoitusta sähkö- ja elektronisissa laitteissa.
- (NO) Vi erklærer under vårt eget ansvar at dette produktet er i samsvar med følgende standarder og regler: er i samsvar med EU-direktivet 2011/65/EU fra Europa-parlamentet og Europa-rådet, pr. 8 juni 2011, om begrensning i bruken av visse farlige stoffer i elektrisk og elektronisk utstyr.
- (DA) Vi erklærer under eget ansvar, at dette produkt er i overensstemmelse med følgende standarder og bestemmelser: er i overensstemmelse med direktiv 2011/65/EU fra Europa-Parlamentet og Rådet af 8. juni 2011 om begrænsning af anvendelsen af visse farlige stoffer i elektrisk og elektronisk udstyr.
- (HU) Felelősségünk teljes tudatában kijelentjük, hogy ez a termék teljes mértékben megfelel az alábbi szabványoknak és előírásoknak: je v souladu se směrnici 2011/65/EU Evropského parlamentu a Rady EU ze dne 8. června 2011, která se týká omezení použití určitých nebezpečných látek v elektrických a elektronických zařízeních.
- (CS) Na naši vlastní zodpovědnost prohlašujeme, že je tento výrobek v souladu s následujícími standardy a normami: Je v souladu s normou 2011/65/EU Evropského parlamentu a Rady z 8. júna 2011 týkajúcej sa obmedzenia používania určitých nebezpečných látok v elektrickom a elektronickom vybavení.
- (SK) Vyhlasujeme na našu výhradnú zodpovednosť, že tento výrobok je v zhode a súlade s nasledujúcimi normami a predpismi: Je v súlade s normou 2011/65/UE Európskeho parlamentu a Rady z 8. júna 2011 týkajúcej sa obmedzenia používania určitých nebezpečných látok v elektrickom a elektronickom vybavení.
- (SL) S polno odgovornostjo izjavljamo, da je ta izdelek v skladu in da odgovarja naslednjim standardom terpredpisom: je v skladu z direktivo 2011/65/EU Evropskega parlamenta in Sveta z dne 8. junij 2011 o omejevanju uporabe določenih nevarnih snovi v električni in elektronski opremi.
- (PL) Deklarujemy na własną odpowiedzialność, że ten produkt spełnia wymogi zawarte w następujących normach i przepisach: jest zgodny z Dyrektywą 2011/65/UE Parlamentu Europejskiego i Rady z dnia 8 czerwca 2011 r. w sprawie ograniczenia stosowania niektórych niebezpiecznych substancji w sprzęcie elektrycznym i elektronicznym.
- (LT) Prisimdami visa atsakomybę deklaruojame, kad šis gaminyš atitinka žemiau paminėtų standartus arba nuostatus: atitinka 2011 m. birželio 8 d. Europos Parlamento ir Tarybos direktyvą 2011/65/EB dėl tam tikrų pavojingų medžiagų naudojimo elektros ir elektroninėje įrangoje apribojimo.
- (LV) Ir atbilstoša Eiropas Parlamenta un Padomes 2011. gada 8. jūnija Direktīvai 2011/65/ES par dažu bīstamu vielu izmantošanas ierobežošanu elektriskās un elektroniskās iekārtās.
- (ET) Aggalvojam ar visu atbildulu, ka šis produktis ir saskaņā ar atbilst sekojošiem standartiem un nolikumiem: ir atbilstoša Eiropas Parlamenta un Padomes 2011. gada 8. jūnija Direktīvai 2011/65/ES par dažu bīstamu vielu izmantošanas ierobežošanu elektriskās un elektroniskās iekārtās.
- (RO) Declaram prin aceasta cu răspundere deplină că produsul acesta este în conformitate cu următoarele standarde sau directive: este în conformitate cu Directiva 2011/65/UE a Parlamentului European și a Consiliului din 8 iunie 2011 cu privire la interzicerea utilizării anumitor substanțe periculoase la echipamentele electrice și electronice.
- (HR) Izjavljamo pod vlastitom odgovornošću da je strojem ukladan sa slijedećim standardima ili standardiziranim dokumentima i u skladu sa odredbama: usklađeno sa Direktivom 2011/65/EU europskog parlamenta i vijeća izdanom 8. lipnja 2011. o ograničenju korištenja određenih opasnih tvari i električnoj i elektroničkoj opremi.
- (SRL) Pod punom odgovornošću izjavljamo da je usaglašen sa sledećim standardima ili normama: usaglašen sa direktivom 2011/65/EU Evropskog parlamenta i Saveta od 8.juna.2011. godine za restrikciju i upotrebe određenih opasnih materija u električnoj i elektronoj opremi.
- (RU) Под свою ответственность заявляю, что данное изделие соответствует следующему стандарту и нормам: соответствует требованиям Директивы 2011/65/ЕU Европейского парламента и совета от 8 июня 2011 г. по ограничению использования определенных опасных веществ в электрическом и электронном оборудовании
- (UK) На свою власну відповідальність заявляємо, що дане обладнання відповідає наступним стандартам і нормативам: задовольняє вимоги Директиви 2011/65/СЄ Європейського Парламенту та Ради від 8 червня 2011 року на обмеження використання деяких небезпечних речовин в електричному та електронному обладнанні.
- (EL) Δηλώνουμε υπεύθυνα ότι το προϊόν αυτό συμμορφώνεται και τηρεί τους παρακάτω κανονισμούς και πρότυπα: συμμορφώνεται με την Οδηγία 2011/65/ΕΕ του Ευρωπαϊκού Κοινοβουλίου και του Συμβουλίου της 8ης Ιουνίου 2011 για τον περιορισμό της χρήσης ορισμένων επικίνδυνων ουσιών σε ηλεκτρικό και ηλεκτρονικό εξοπλισμό.

EN 60745-1, EN 50580, EN55014-1, EN55014-2,
EN 61000-3-2, EN 61000-3-3

2006/42/EC, 2014/30/EU, 2012/19/EU, 2011/65/EU

Zwolle, 01-03-2021

H.G.F Rosberg
CEO FERM

FERM - Lingenstraat 6 - 8028 PM - Zwolle - The Netherlands

