

# BORMANN®

Lite Series



## BPW3210

053286



v2.2





### Device description / Περιγραφή διάταξης

<b>EN</b>	1. Long handle 2. Wheels 3. Spray gun 4. ON/OFF knob 5. Water outlet	<b>EL</b>	1. Μακρύ χερούλι 2. Τροχίσκοι 3. Πιστόλι ψεκασμού 4. Επιλογέας ON/OFF 5. Εξαγωγή νερού
-----------	--	-----------	--

### Technical Data / Τεχνικά Δεδομένα

Model	Μοντέλο	BPW3210
Nominal voltage & Frequency	Ονομαστική τάση & Συχνότητα	230 V, 50 Hz
Nominal power input (Watt)	Ονομαστική ισχύς εισόδου	2400 Watt
Working pressure	Πίεση λειτουργίας	120 bar
Maximum pressure	Μέγιστη πίεση	180 bar
Flow	Ροή	330 lt/hour
Max flow	Μέγιστη ροή	480 lt/hour

### Including/Περιλαμβάνονται:

Long handle and wheels, 1 x quick connect spray gun, 1 x 5 m high pressure hose, 1 x 5 m cable with VDE plug, 1 x 435 ml outside soap bottle, autostop function and self priming function, 1 x transparent water inlet filter

Μακρύ χερούλι και τροχοί, 1 x πιστόλι ψεκασμού ταχείας σύνδεσης, 1 x 5 m σωλήνας υψηλής πίεσης, καλώδιο 1 x 5 m με βύσμα VDE, 1 x 435 ml εξωτερικό μπουκαλί σαπουνιού, λειτουργία αυτόματης διακοπής λειτουργίας και λειτουργία αυτόματης αναρρόφησης, 1 x διαφανές φίλτρο εισαγωγής νερού

\* The manufacturer reserves the right to make minor changes to product design and technical specifications without prior notice unless these changes significantly affect the performance and safety of the products. The parts described / illustrated in the pages of the manual that you hold in your hands may also concern other models of the manufacturer's product line with similar features and may not be included in the product you just acquired.

\* To ensure the safety and reliability of the product and the warranty validity, all repair, inspection, repair or replacement work, including maintenance and special adjustments, must only be carried out by technicians of the authorized service department of the manufacturer.

\* Always use the product with the supplied equipment. Operation of the product with non-provided equipment may cause malfunctions or even serious injury or death. The manufacturer and the importer shall not be liable for injuries and damages resulting from the use of non-conforming equipment.

\*Ο κατασκευαστής διατηρεί το δικαίωμα να πραγματοποιήσει δευτερεύουσες αλλαγές στο σχεδιασμό του προϊόντος και στα τεχνικά χαρακτηριστικά χωρίς προηγούμενη ειδοποίηση, εκτός εάν οι αλλαγές αυτές επηρεάζουν σημαντικά την απόδοση και λειτουργία ασφάλειας των προϊόντων. Τα εξαρτήματα που περιγράφονται / απεικονίζονται στις σελίδες του εγχειριδίου που κρατάτε στα χέρια σας ενδέχεται να αφορούν και σε άλλα μοντέλα της σειράς προϊόντων του κατασκευαστή, με παρόμοια χαρακτηριστικά, και ενδέχεται να μην περιλαμβάνονται στο προϊόν που μόλις αποκτήσατε.

\* Για να διασφαλιστεί η ασφάλεια και η αξιοπιστία του προϊόντος καθώς και η ισχύς της εγγύησης όλες οι εργασίες επιδιόρθωσης, ελέγχου, επισκευής ή αντικατάστασης συμπεριλαμβανομένης της συντήρησης και των ειδικών ρυθμίσεων, πρέπει να εκτελούνται μόνο από τεχνικούς του εξουσιοδοτημένου τμήματος Service του κατασκευαστή.

\* Χρησιμοποιείτε πάντα το προϊόν με τον παρεχόμενο εξοπλισμό. Η λειτουργία του προϊόντος με μη-προβλεπόμενο εξοπλισμό ενδέχεται να προκαλέσει βλάβη ή ακόμα και σοβαρό τραυματισμό ή θάνατο. Ο κατασκευαστής και ο εισαγωγέας ουδεμία ευθύνη φέρει για τραυματισμούς και βλάβες που προκύπτουν από την χρήση μη προβλεπόμενου εξοπλισμού.



### Description du dispositif / Descrizione del dispositivo

<b>FR</b>	1. Manche long 2. Roues 3. Pistolet de pulvérisation 4. Bouton ON/OFF 5. Sortie d'eau	<b>IT</b>	1. Maniglia lunga 2. Ruote 3. Pistola a spruzzo 4. Manopola ON/OFF 5. Uscita dell'acqua
-----------	---	-----------	---

### Données techniques / Dati tecnici

Modèle	Modello	BPW3210
Tension et fréquence nominales	Tensione nominale e frequenza	230 V, 50 Hz
Puissance nominale absorbée (Watt)	Potenza nominale assorbita (Watt)	2400 Watt
Pression de travail	Pressione di lavoro	120 bar
Maximum pression	Pressione massima	180 bar
Débit	Flusso	330 lt/heure - ora
Débit maximal	Flusso massimo	480 lt/heure - ora

### Incluant/Incluso:

Poignée longue et roues, 1 x pistolet de pulvérisation à connexion rapide, 1 x tuyau haute pression de 5 m, 1 x câble de 5 m avec fiche VDE, 1 x bouteille de savon extérieure de 435 ml, fonction autostop et fonction auto-amorçage, 1 x filtre transparent d'entrée d'eau

Impugnatura lunga e ruote, 1 x pistola ad attacco rapido, 1 x tubo flessibile ad alta pressione da 5 m, 1 x cavo da 5 m con spina VDE, 1 x flacone di sapone esterno da 435 ml, funzione autostop e autoadescante, 1 x filtro trasparente di ingresso acqua

\* Le fabricant se réserve le droit d'apporter des modifications mineures à la conception et aux spécifications techniques des produits sans préavis, à moins que ces modifications n'affectent de manière significative les performances et la sécurité des produits. Les pièces décrites / illustrées dans les pages du manuel que vous tenez entre vos mains peuvent également concerner d'autres modèles de la gamme de produits du fabricant ayant des caractéristiques similaires et peuvent ne pas être incluses dans le produit que vous venez d'acquérir.

\* Pour garantir la sécurité et la fiabilité du produit et la validité de la garantie, tous les travaux de réparation, d'inspection, de réparation ou de remplacement, y compris l'entretien et les réglages spéciaux, doivent être effectués uniquement par des techniciens du service après-vente agréé du fabricant.

\* Utilisez toujours le produit avec l'équipement fourni. L'utilisation du produit avec un équipement non fourni peut entraîner des dysfonctionnements, voire des blessures graves ou la mort. Le fabricant et l'importateur ne sont pas responsables des blessures et des dommages résultant de l'utilisation d'un équipement non conforme.

\* Il produttore si riserva il diritto di apportare modifiche minori al design e alle specifiche tecniche del prodotto senza preavviso, a meno che tali modifiche non influiscano significativamente sulle prestazioni e sulla sicurezza dei prodotti. Le parti descritte/illustrate nelle pagine del manuale che avete tra le mani possono riguardare anche altri modelli della linea di prodotti del produttore con caratteristiche simili e potrebbero non essere incluse nel prodotto appena acquistato.

\* Per garantire la sicurezza e l'affidabilità del prodotto e la validità della garanzia, tutti gli interventi di riparazione, ispezione, riparazione o sostituzione, compresa la manutenzione e le regolazioni speciali, devono essere eseguiti esclusivamente da tecnici del servizio di assistenza autorizzato dal produttore.

\* Utilizzare sempre il prodotto con l'attrezzatura fornita. L'utilizzo del prodotto con apparecchiature non in dotazione può causare malfunzionamenti o addirittura lesioni gravi o morte. Il produttore e l'importatore non sono responsabili per lesioni e danni derivanti dall'uso di apparecchiature non conformi.



### Описание на устройството / Opis naprave

<b>BG</b>	1. Дълга дръжка 2. Колела 3. Пистолет за пръскане 4. Копче за ON/OFF 5. Изход за вода	<b>SL</b>	1. Dolg ročaj 2. Kolesa 3. Razpršilna pištola 4. Gumb ON/OFF 5. Izhod za vodo
-----------	---	-----------	---

### Технически данни / Tehnični podatki

Модел	Model	BPW3210
Номинално напрежение и честота	Nazivna napetost in frekvenca	230 V, 50 Hz
Номинална входяща мощност (Watt)	Nazivna vhodna moč (Watt)	2400 Watt
Работно налягане	Delovni tlak	120 bar
Максимално налягане	Maksimalni tlak	180 bar
Поток	Pretok	330 lt/час - uro
Максимален дебит	Največji pretok	480 lt/час - uro

### Включително/Vključno z:

Дълга дръжка и колела, 1 x пистолет за пръскане с бърза връзка, 1 x 5 м маркуч за високо налягане, 1 x 5 м кабел с VDE щепсел, 1 x 435 мл външна бутилка за сапун, функция за автоматично спиране и функция за самозареждане, 1 x прозрачен филтър на входа за вода

Dolg ročaj in kolesa, 1 x pršilna pištola s hitrim priključkom, 1 x 5 m visokotlačna cev, 1 x 5 m kabel z vtičem VDE, 1 x 435 ml zunanja steklenička za milo, funkcija samodejnega zaustavljanja in samozalivanja, 1 x prozoren filter za dovod vode

\* Производителят си запазва правото да прави незначителни промени в дизайна и техническите спецификации на продуктите без предварително уведомление, освен ако тези промени не засягат значително работата и безопасността на продуктите. Частите, описани/илюстрирани на страниците на ръководството, което държите в ръцете си, може да се отнасят и за други модели от продуктова линия на производителя с подобни характеристики и може да не са включени в този придобития от вас продукт.

\* За да се гарантира безопасността и надеждността на продукта и валидността на гаранцията, всички работи по ремонт, проверка, поправка или замяна, включително поддръжка и специални настройки, трябва да се извършват само от техници от оторизирания сервизен отдел на производителя.

\* Винаги използвайте продукта с доставеното оборудване. Работата на продукта с оборудване, което не е доставено, може да доведе до неизправности или дори до сериозни наранявания или смърт. Производителят и вносителят не носят отговорност за наранявания и щети, възникнали в резултат на използването на несъответстващо на изискванията оборудване.

\* Произvajalec si pridržuje pravico do manjših sprememb zasnove in tehničnih specifikacij izdelka brez predhodnega obvestila, razen če te spremembe bistveno vplivajo na delovanje in varnost izdelkov. Deli, opisani/prikazani na straneh priložnika, ki ga držite v rokah, se lahko nanašajo tudi na druge modele proizvajalčeve linije izdelkov s podobnimi lastnostmi in morda niso vključeni v izdelek, ki ste ga pravkar pridobili.

\* Da bi zagotovili varnost in zanesljivost izdelka ter veljavnost garancije, smejo vsa popravila, pregleda, popravila ali zamenjave, vključno z vzdrževanjem in posebnimi nastavitvami, opravljati le tehniki pooblaščenega servisnega oddelka proizvajalca.

\* Izdelek vedno uporabljajte s priloženo opremo. Uporaba izdelka z opremo, ki ni priložena, lahko povzroči nepravilno delovanje ali celo hude telesne poškodbe ali smrt. Proizvajalec in uvoznik ne odgovarjata za poškodbe in škodo, ki so posledica uporabe neustrezne opreme.



### Eszköz leírása / Descrierea dispozitivului

<b>HU</b>	1. Hosszú fogantyú 2. Kerekek 3. Permetezőpisztoly 4. ON/OFF gomb 5. Vízkivezetés	<b>RO</b>	1. Mâner lung 2. Roți 3. Pistol de pulverizare 4. Buton ON/OFF 5. Ieșire de apă
-----------	---	-----------	---

### Műszaki adatok / Date tehnice

Modell	Model	BPW3210
Névleges feszültség és frekvencia	Tensiune nominală și frecvență	230 V, 50 Hz
Névleges bemeneti teljesítmény (Watt)	Puterea nominală de intrare (Watt)	2400 Watt
Üzemi nyomás	Presiunea de lucru	120 bar
Maximális nyomás	Presiune maximă	180 bar
Áramlás	Debit	330 lt/óránként - orá
Maximális áramlás	Debit maxim	480 lt/óránként - orá

### Beleértve/Inclusiv:

Hosszú fogantyú és kerekek, 1 x gyorscsatlakozós szórópisztoly, 1 x 5 m magasnyomású tömlő, 1 x 5 m kábel VDE dugóval, 1 x 435 ml-es külső szappanos flakon, autostop funkcióval és önfelszívó funkcióval, 1 x átlátszó vízbeömlő szűrő.

Mâner lung și roți, 1 x pistol de pulverizare cu conectare rapidă, 1 x furtun de înaltă presiune de 5 m, 1 x cablu de 5 m cu fișă VDE, 1 x flacon de săpun exterior de 435 ml, funcție de oprire automată și funcție de autoamorsare, 1 x filtru transparent de intrare a apei

\* A gyártó fenntartja a jogot, hogy előzetes értesítés nélkül kisebb változtatásokat eszközöljön a termék kialakításában és műszaki specifikációiban, kivéve, ha ezek a változtatások jelentősen befolyásolják a termék teljesítményét és biztonságát. A kézikönyv kezében tartott oldalakon leírt/illusztrált alkatrészek a gyártó termékszádjának más, hasonló tulajdonságokkal rendelkező modelljeit is érinthetik, és előfordulhat, hogy az Ön által most megvásárolt termék nem tartalmazza azokat.

\* A termék biztonságának és megbízhatóságának, valamint a garancia érvényességének biztosítása érdekében minden javítási, ellenőrzési, javítási vagy csere munkálatot, beleértve a karbantartást és a speciális beállításokat is, kizárólag a gyártó hivatalos szervizének szakemberei végezhetnek.

\* A terméket mindig a mellékelt felszereléssel használja. A termék nem mellékelt felszereléssel történő üzemeltetése meghibásodást, vagy akár súlyos sérülést vagy halált is okozhat. A gyártó és az importőr nem vállal felelősséget a nem megfelelő felszerelés használatából eredő sérülésekért és károkért.

\* Producătorul își rezervă dreptul de a aduce modificări minore la designul și specificațiile tehnice ale produsului fără notificare prealabilă, cu excepția cazului în care aceste modificări afectează în mod semnificativ performanța și siguranța produselor. Piese descrise / ilustrate în paginile manualului pe care îl țineți în mâini pot viza și alte modele din linia de produse ale producătorului cu caracteristici similare și pot să nu fie incluse în produsul pe care tocmai l-ați achiziționat.

\* Pentru a asigura siguranța și fiabilitatea produsului, precum și valabilitatea garanției, toate lucrările de reparații, inspecții, reparații sau înlocuiri, inclusiv întreținerea și reglajele speciale, trebuie să fie efectuate numai de către tehnicienii ai departamentului de service autorizat al producătorului.

\* Utilizați întotdeauna produsul cu echipamentul furnizat. Utilizarea produsului cu echipamente care nu sunt furnizate poate cauza defecțiuni sau chiar vătămări grave sau chiar moartea. Producătorul și importatorul nu sunt răspunzători pentru vătămările și daunele rezultate din utilizarea unui echipament neconform.



**WARNING:** Do not use the machine without reading the instruction sheet!

## Application

THE PORTABLE PRESSURE WASHING MACHINE is a highly specialized multifunctional machine with exceptionally reliable safety assurance, which must be inspected before it may be used to wash and clean cars, bikes and other outdoor equipment or garden patios, green houses etc.

## Safety & Warnings

### Automatic ON/OFF:

The motor on this pressure washer does not run continuously. It only runs when the trigger of the spray gun is squeezed. After following the start-up procedures in this manual, turn the pressure washer ON and squeeze the trigger for activation. See "Operating Instruction" section in this manual for further details.

### ⚠️ WARNING

The electrical supply connection shall be made by a qualified person and comply with IEC 60364-1. The electric supply to this machine should include either a residual current device that will interrupt the supply if the leakage current to earth exceeds 30 mA for 30 ms or a device that will prove the earth circuit.

### ⚠️ WARNING

The operating method to be followed in the event of accident (e.g. contact with detergents: rinse with an abundance of clean water) or breakdown to prevent unsafe situations.

### ⚠️ WARNING

The motor of this pressure washer will NOT run unless the trigger is squeezed.

## Safety Guidelines

This manual contains information that is very important to know and understand.

This information is provided for SAFETY and to PREVENT EQUIPMENT PROBLEMS. To help recognize this information, observe the following symbols.

### ⚠️ DANGER

Danger indicates an imminently hazardous situation which, if not avoided, WILL result in death or serious injury.

### ⚠️ WARNING

Warning indicates a potentially hazardous situation which, if not avoided, COULD result in death or serious injury.

### ⚠️ CAUTION

Caution indicates a potentially hazardous situation which, if not avoided, MAY result in minor or moderate injury.

### NOTICE

Information that requires special attention.

## Important Safety Instructions



**SAVE THESE INSTRUCTIONS!**

### ⚠️ WARNING

When the machine is used, following precautions should always be considered:

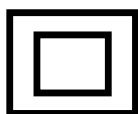
1. Read all instructions before using the machine.
2. To reduce the risk of injury, close supervision is necessary when a machine is used near children.
3. ALWAYS disconnect power before disassembling or repairing the unit of the machine.
4. Follow all safety codes as well as the Occupational Safety and Health Act (OSHA).

5. Ensure safety devices are operating properly before using the machine. DO NOT remove or modify any part of the gun or unit of the machine.
6. Know how to stop this machine and bleed pressure quickly. Be thoroughly familiar with the controls.
7. Stay alert – watch what you are doing.
8. Do not operate the machine when fatigued or under the influence of alcohol or drugs.
9. Keep operation area clear of all persons.
10. Do not overreach or stand on unstable support. Keep good footing and balance at all times.
11. Follow the maintenance instructions specified in the manual.
12. Use cleaning agent supplied or recommend by the manufacturer.
13. Only put the machine on stable place when using, transportation, assembly, dismantling. Do not rough handling the machine when transportation.
14. in any event of accident (e.g. contact with detergents, rinse with an abundance of clean water), please always switch off the machine and pull out the plug from socket outlet, and Disconnect the connection with water.
15. The machine is not intended to be connected to the potable water mains. If necessary, please use only inlet hose-set approved by IEC 61770.

Risk of injection or severe injury. Keep clear of nozzle. Do not discharge streams at persons. This machine is to be used only by trained operators. Always remove lance from gun before cleaning debris from tip.

- Keep clear of nozzle. NEVER direct high pressure spray at any person, animal or self.
- Always wear safety glasses or goggles and protective clothing when operating or performing maintenance.
- Never put hand or fingers over the spray tip while operating the unit.
- Never try to stop or deflect leaks with any body part.
- Always engage the trigger safety latch in the safe position even when spraying is stopped for a moment.
- Always follow detergent manufacturer's label recommendations for proper use of detergents. Always protect eyes, skin, and respiratory system from detergent use.

## **WARNING**



### **Servicing of a double-insulated machine**

In a double-insulated machine, two systems of insulation are provided instead of grounding. No grounding means are provided for a double-insulated machine, nor should grounding means be added to the machine. Servicing a double-insulated machine requires extreme care and knowledge of the system, and should be done only by qualified service personnel.

Replacement parts for a double-insulated machine must be identical to the original parts. A double-insulated machine is marked with the words "Double Insulation" or "Double Insulated." Machine may also be marked with symbol shown in Figure 1.

**WARNING!** Do not use pressure that exceeds the operating pressure of any of the parts (hoses, fittings, etc.) in the pressurized system. Ensure all equipment and accessories are rated to withstand the maximum working pressure of the unit.

**WARNING!** Explosion hazard.

Never spray flammable liquids or use pressure washer in areas containing combustible dust, liquids or vapors.

Never operate the machine in a closed building or in or near an explosive environment.

**WARNING!** Do not spray electrical apparatus and wiring.

- Never disconnect the high pressure discharge hose from the machine while the system is pressurized. To depressurize machine, turn power and water supply off, then press gun trigger 2~3 times.
- Never permanently engage the trigger mechanism on the gun.
- Never operate the machine without all components properly connected to the machine (handle, gun/wand assembly, nozzle, etc.).

**WARNING!** Equipment damage.

- ALWAYS turn water supply "ON" before turning pressure washer "ON." Running pump dry causes serious damage.
- Do not operate the pressure washer with the inlet water screen removed. Keep screen clear of debris and sediment.
- NEVER operate pressure washer with broken or missing parts. Check equipment regularly and repair or replace worn or damaged parts immediately.
- Use only the nozzle supplied with this machine.
- Never leave the wand unattended while the machine is running.
- Never attempt to alter factory settings.

Altering factory settings could damage the unit and will void the warranty.

- Always hold gun and wand firmly when starting and operating the machine.
- NEVER allow the unit to run with the trigger released (off) for more than one (1) minute. Resulting heat buildup will damage pump.
- Pressure washer is not supposed to pump hot water. NEVER connect it to a hot water supply as it will significantly reduce the life of the pump.
- NEVER store the pressure washer outdoors or where it could freeze. The pump will be seriously damaged.



- Release trigger when changing from high to low pressure modes. Failure to do so could result in damage.
  - Be aware of the recoil caused by the water jet when the machine is switched on.
- CAUTION:** Keep hose away from sharp objects. Bursting hoses may cause injury. Examine hose regularly and replace it if damaged.  
Do not attempt to mend a damaged hose.

### Extension cords

The use of an extension cord is not recommended. Use only extension cords intended for outdoor use. These are identified by the mark "Acceptable for use with outdoor machines; store indoors while not in use." Use only extension cords having an electrical rating equal to or more than the rating of the machine. Do not use damaged extension cords. Examine extension cord before using and replace it if damaged. Do not abuse extension cord. Do not pull on the cord to disconnect. Keep cord away from heat and sharp edges.

Always disconnect cord from receptacle before disconnecting machine from extension cord.

### **⚠ DANGER**

Failure to follow these instructions can result in serious injury, including death.



### **⚠ WARNING**

To reduce the risk of electrocution, keep all connections dry and off the ground. Do not touch plug with wet hands.

Machines shall not be used by children. Children should be supervised to ensure that they do not play with the machine. This machine is not intended for use by persons (including children) with reduced physical, sensory or mental capabilities, or lack of experience and knowledge.

**WARNING!** This machine has been designed for use with the cleaning agent supplied or recommended by the manufacturer. The use of other cleaning agents or chemicals may adversely affect the safety of the machine.

**WARNING!** High pressure jets can be dangerous if subject to misuse. The jet must not be directed at persons, live electrical equipment or the machine itself.

**WARNING!** Recommend the operator to wear ear protectors.

**WARNING!** Do not use the machine within range of persons unless they wear protective clothing.

**WARNING!** Do not direct the jet against yourself or others in order to clean clothes or foot-wear.

**WARNING!** Risk of explosion-Do not spray flammable liquids.

**WARNING!** High pressure cleaners shall not be used by children or untrained personnel.

**WARNING!** High pressure hoses, fittings and couplings are important for the safety of the machine. Use only hoses, fittings and couplings recommended by the manufacturer.

**WARNING!** To ensure machine safety, use only original spare parts from the manufacturer or approved by the manufacturer.

**WARNING!** Water that has flown through backflow preventers is considered to be non-potable.

**WARNING!** The machine shall be disconnected from its power source by removing the plug from the socket-outlet during cleaning or maintenance and when replacing the machine to another function.

**WARNING!** Do not use the machine if a supply cord or important parts of the machine are damaged, e.g. safety devices, high pressure hoses, trigger gun.

**WARNING!** If an extension cord is used, the plug and socket must be of watertight construction.

**WARNING!** Inadequate extension cords can be dangerous. If an extension cord is used, it shall be suitable for outdoor use, and the connection has to be kept dry and off the ground. It is recommended that this is accomplished by means of a cord reel which keeps the socket at least 60mm above the ground.

**WARNING!** In order to avoid a hazard due to inadvertent resetting of the thermal cut-out, this appliance must not be supplied through an external switching device, such as a timer, or connected to a circuit that is regularly switched on and off by the utility.

**WARNING!** The machine is intended to be used at a temperature above 0 degree. (Only for machine with power cord of H05VV-F).

**WARNING!** To ensure the machine safety, please only use original spare parts (including nozzle) from the manufacturer or approved by the manufacturer. Do not use the machine before you changed them if they are damaged.

**WARNING!** Be care of the danger of the kickback force on the spray assembly when opening the trigger gun and grasp the gun with hands firmly.

**WARNING!** When the machine is moving and installing, the machine must be in flat. When moving the machine, pulling the handle to move it.

**WARNING!** Connect to the water supply.

Connect the machine to the water supply.

Make sure the inlet water pressure keeps between 0.01MPa and 0.4MPa.



The inlet pipe should at least 5 M long. Do not use the pipe if the pipe is damaged.



**WARNING** Machine not suitable for connection directly to the potable water mains.

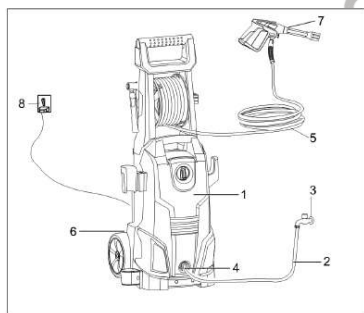
**WARNING!** Disconnect from the electrical power supply before carrying out user maintenance.

If the mains cable is damaged it must be replaced by the manufacturer, or its service agent or similarly qualified person to avoid a hazard.

## Connection

1. Attach the high pressure hose to the pressure water outlet of the machine.
2. Attach the spray handle to the high pressure hose. Prior to operating the machine please ensure that the high pressure hose has been completely uncoiled. Whilst the machine is in operation the hose **MUST** not loop.
3. Mount the nozzle or any other equipment you want to use.
4. Connect the machine to the water and power supplies.

### Installation, electrical and water connections

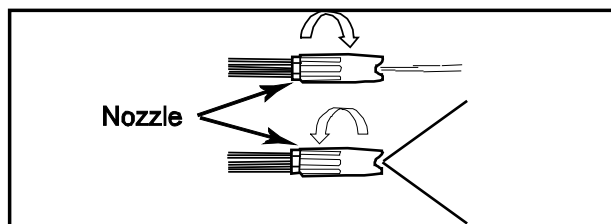


1. Pressure cleaner
  2. Water supply hose
  3. Water connection
  4. Water inlet
  5. High pressure tube
  6. Water outlet
  7. Spray gun
  8. Power supply
- \* No. 2, 3, 8 are not included

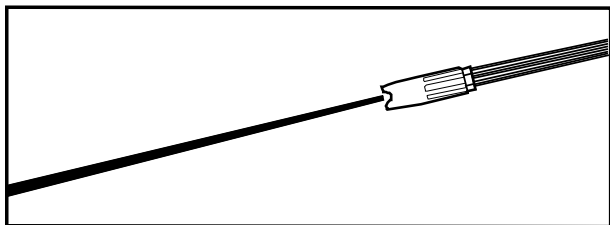
## Pre-operation

### Adjusting fan pattern

The angle of spray coming out of the lance may be adjusted on some lances by rotating the nozzle. This will vary the spray pattern from approximately a 0° narrow high impact stream to a 60° wide fan spray (See Figure 2).



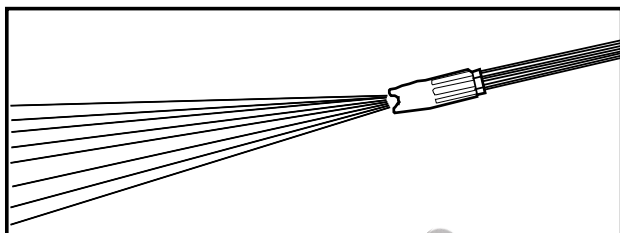
**Figure 2 - Adjusting nozzle for fan pattern (not applicable on some nozzles)**



**Figure 3 - Narrow high impact stream**

A narrow stream has high impact force on the cleaning surface and results in maximum deep cleaning in a concentrated area. However, this narrow high impact spray must be used cautiously, as it may damage some surfaces.

A wide fan pattern will distribute the impact of the water over a larger area, resulting in excellent cleaning action with a reduced risk of surface damage. Large surface areas can be cleaned more quickly using a wide fan pattern.

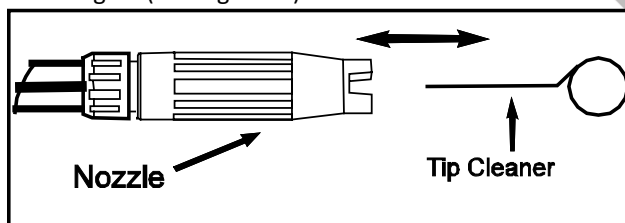


**Figure 4 - Wide fan pattern**

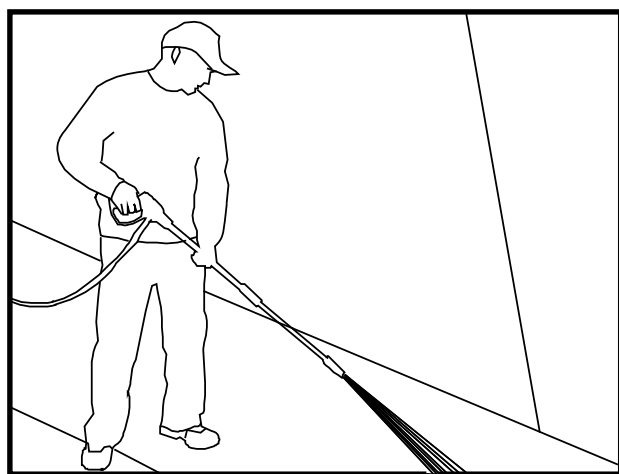
#### Nozzle cleaning instructions

A clogged or partially clogged nozzle can cause a significant reduction of water coming out of the nozzle and cause the unit to pulsate while spraying. To clean out the nozzle:

- Turn off and unplug unit.
- Turn off water supply. Relieve any pressure trapped in the hose by squeezing trigger 2-3 times.
- Separate lance from gun.
- Rotate nozzle to the narrow stream setting. This opens up the fan blades.
- Using included tip cleaner, or an unfolded paper clip, insert wire into the nozzle hole and move back and forth until debris is dislodged. (See Figure 5.)



**Figure 5 - Insert tip cleaner in nozzle hole and move it back and forth until debris is dislodged**



**Figure 6 - Optimal angle for cleaning surfaces**

Remove additional debris by back-flushing water through the nozzle. To do this, place end of a garden hose (with water running) to end of nozzle for 30-60 seconds.

#### Angle to the cleaning surface

When spraying water against a surface, maximum impact is generated when the water strikes the surface "head on." However, this type of impact tends to cause dirt particles to imbed in the surface, thereby preventing the desired cleaning action. The optimum angle for spraying water against a cleaning surface is 45 degrees.

Spraying water against a surface at this angle provides for the most beneficial impact force combined with efficient removal of debris from the surface.

#### Distance from cleaning surface

Another factor that determines the impact force of the water is the distance from the spray nozzle to the cleaning surface. The impact force of the water is increased as the nozzle is moved closer to the surface.

#### How to avoid damaging surfaces

Damage to cleaning surfaces occurs because the impact force of the water exceeds the durability of the surface. The impact force can be varied by controlling the three previously noted items. Never use a narrow high impact stream or a turbo/rotary nozzle on a surface that is susceptible to damage. Avoid spraying windows with a narrow high impact stream or turbo nozzle as this may cause breakage. The surest way to avoid damaging surfaces is to follow these steps:

1. Before triggering the gun, adjust the nozzle to a wide fan pattern.
2. Place the nozzle approximately 4-5 feet from and 45 degrees to the cleaning surface, and trigger the gun.
3. Vary the fan pattern spray angle and the distance to the cleaning surface until optimum cleaning efficiency is achieved without damaging the surface.

#### Turbo nozzle (not included with all models)

A turbo nozzle, sometimes referred to as a rotary nozzle, is a very effective tool that can significantly reduce cleaning time. The turbo nozzle combines the power of a narrow high impact stream and the efficiency of a 25 degree fan pattern. This swirls the narrow high impact stream into a cone shape that cleans a larger area.

**CAUTION:** Since a turbo nozzle uses a narrow high impact stream, only use it in applications where the cleaning surface cannot be damaged by narrow high impact spray. Additionally, the turbo nozzle is NOT adjustable and cannot be used to apply detergent.

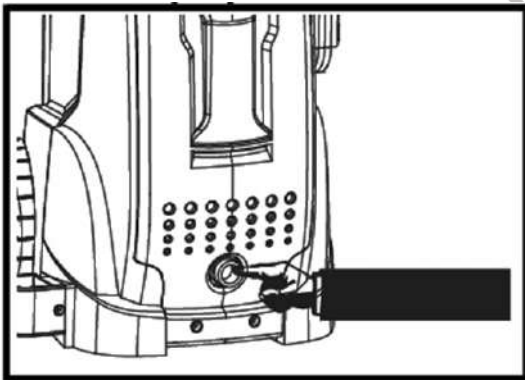


Figure 7

#### Water inlet screen

The water inlet filter must be inspected regularly, so as to avoid blockage and restriction in the pump's water supply (fig 7).

#### Detergents

The use of detergents can dramatically reduce cleaning time and assist in the removal of difficult stains. Some detergents have been customized for pressure washer use on specific cleaning tasks. These detergents are approximately as thick as water. The use of thicker detergents, such as dish soap, will clog the chemical injection system and prevent the application of the detergent.

The cleaning power of detergents comes from applying them to a surface and giving the chemicals time to break down the dirt and grime. Detergents work best when applied at low pressure.

The combination of chemical action and high pressure rinsing is very effective. On vertical surfaces, apply the detergent starting at the bottom and work your way upward. This will prevent the detergent from sliding down and causing streaks. High pressure rinsing should also progress from the bottom to top. On particularly tough stains, it may be necessary to use a brush in combination with detergents and high pressure rinsing.

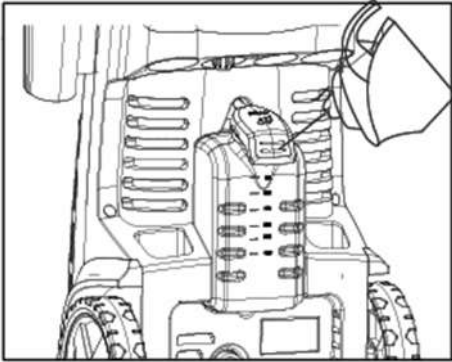


Figure 8

**Using detergent**

Add detergent to the container. Set the adjustable spray wand at low pressure position. (Fig 8)

Trigger gun to spray detergent.

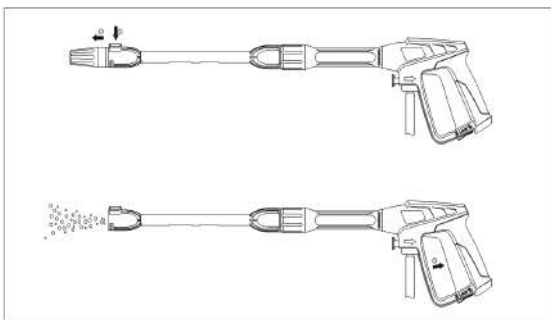


Figure 9

**Foam cleaning method**

Be sure to insert the cleaning solution in the built-in suction pot and remove the tip as shown in figure 9.

## Operation

The following cleaning procedure will help you to organize your cleaning task, and ensure that you achieve the most beneficial results in the shortest amount of time.

Remember to use the spraying/cleaning techniques previously listed.

**1. Surface preparation**

Before starting a pressure wash cleaning job, it is important to prepare the surface that is to be cleaned. This is done by cleaning the area of furniture, and making sure that all windows and doors are closed tight. In addition, you should make sure that all plants and trees adjacent to the cleaning area are protected by a drop cloth. This will ensure that your plants won't be sprayed by the detergents.

**2. Initial High Pressure Rinse**

The next step is to spray the cleaning surface with water to clear off any dirt or grime that may have collected on the surface. This will allow your detergent to attack the deep down dirt that has worked its way into the cleaning surface. Before triggering the gun, adjust the nozzle to a wide fan pattern and slowly adjust to the desired spray pattern. This will help you avoid applying too much concentrated spray to the surface which could cause damage.

**3. Final Rinse**

Start final rinse at bottom and work upward. Make sure you thoroughly rinse the surface and that all detergent has been removed.

**4. Shut down**

1. Be sure all detergent is flushed from system.
2. Turn off motor.
3. Turn off water supply.
4. After motor and water supply are turned off, trigger gun to depressurize system.

**CAUTION:** NEVER turn water supply off before turning motor off. Serious damage could occur to the pump and or motor.

**WARNING!** NEVER disconnect high pressure discharge hose from machine while system is pressurized. To depressurize, turn motor off, turn water supply off and squeeze gun trigger 2-3 times.

5. After each use, wipe all surfaces of the pressure washer with a clean, damp cloth.

### 5. Storage

Do not store pressure washer outdoors.

Do not store pressure washer where it might freeze.

## Tips for extending the life of your pressure washer

1. Never operate unit without water.
2. Pressure washer is not meant to pump hot water. Never connect to hot water supply – this will significantly reduce life of the pump.
3. Using detergent other than others brand may cause damage to pump components (O-rings, etc.). This also applies to chemicals such as bleach, dish soap, etc.
4. Never operate unit for more than one (1) minute without spraying water. Resulting heat buildup will damage pump.
5. Before adjusting nozzle's pressure (high-to-low or low-to-high) release trigger.  
Failure to do so will reduce life of O-rings in lance.

## Troubleshooting

Problem	Possible cause	Resolution
Pressure washer does not start up	<ol style="list-style-type: none"> <li>1. Pressure has built up in the unit</li> <li>2. Plug is not well connected or electric socket is faulty</li> <li>3. Extension cord is too long or wire size is too small</li> <li>4. Main voltage supply is too low</li> <li>5. Thermal safety has tripped</li> </ol>	<ol style="list-style-type: none"> <li>1. Squeeze trigger on gun</li> <li>2. Check plug, socket and fuse</li> <li>3. Remove extension cord</li> <li>4. Check that the voltage supply is adequate</li> <li>5. Switch off unit and allow motor to cool down</li> </ol>
Pump does not reach necessary pressure	<ol style="list-style-type: none"> <li>1. Water inlet filter is clogged</li> <li>2. Pump is sucking in air from hose connections</li> <li>3. Nozzle is worn or not correct size</li> <li>4. Unloader is clogged or worn</li> <li>5. Valves are clogged or worn</li> </ol>	<ol style="list-style-type: none"> <li>1. Clean water inlet filter</li> <li>2. Check that connections and locking ring are properly tightened</li> <li>3. Call the dealer</li> <li>4. Call the dealer</li> <li>4. Call the dealer</li> </ol>
Fluctuating pressure	<ol style="list-style-type: none"> <li>1. Pump is sucking in air</li> <li>2. Clogged nozzle</li> <li>3. Valves dirty, worn or stuck</li> <li>4. Water seals worn</li> </ol>	<ol style="list-style-type: none"> <li>1. Check that hoses and connections are tight</li> <li>2. Clean with tip cleaner</li> <li>3. Call the dealer</li> <li>4. Call the dealer</li> </ol>
Motor stops suddenly	<ol style="list-style-type: none"> <li>1. Extension cord is too long or wire size is too small</li> <li>2. Thermal safety switch has tripped due to overheating</li> </ol>	<ol style="list-style-type: none"> <li>1. Remove extension cord</li> <li>2. Check that the voltage supply corresponds to the device's specifications</li> </ol>



**AVERTISSEMENT** : N'utilisez pas la machine sans avoir lu la fiche d'instructions !

## Application

LA LAVEUSE À PRESSION PORTABLE est une machine multifonctionnelle hautement spécialisée, dotée d'une assurance de sécurité exceptionnellement fiable, qui doit être inspectée avant de pouvoir être utilisée pour laver et nettoyer des voitures, des vélos et d'autres équipements extérieurs ou des terrasses de jardin, des serres, etc.

### Sécurité et avertissements

#### Marche/Arrêt automatique :

Le moteur de ce nettoyeur haute pression ne fonctionne pas en continu. Il ne fonctionne que lorsque la gâchette du pistolet de pulvérisation est pressée. Après avoir suivi les procédures de démarrage de ce manuel, mettez le nettoyeur haute pression en marche et appuyez sur la gâchette pour l'activer. Voir la section "Instructions d'utilisation" de ce manuel pour plus de détails.

#### ⚠️ WARNING

Le raccordement à l'alimentation électrique doit être effectué par une personne qualifiée et être conforme à la norme IEC 60364-1. L'alimentation électrique de cette machine doit comprendre soit un dispositif de courant résiduel qui interrompra l'alimentation si le courant de fuite à la terre dépasse 30 mA pendant 30 ms, soit un dispositif qui prouvera le circuit de terre.

#### ⚠️ WARNING

Le mode opératoire à suivre en cas d'accident (par exemple, contact avec des détergents : rincer abondamment à l'eau claire) ou de panne pour éviter les situations dangereuses.

#### ⚠️ WARNING

Le moteur de ce nettoyeur haute pression ne fonctionne pas si la gâchette n'est pas pressée.

### Directives de sécurité

Ce manuel contient des informations qu'il est très important de connaître et de comprendre.

Ces informations sont fournies pour la SÉCURITÉ et pour PRÉVENIR LES PROBLÈMES DE L'ÉQUIPEMENT. Pour vous aider à reconnaître ces informations, observez les symboles suivants.

#### ⚠️ DANGER

Un danger indique une situation dangereuse imminente qui, si elle n'est pas évitée, VA entraîner la mort ou des blessures graves.

#### ⚠️ WARNING

L'avertissement indique une situation potentiellement dangereuse qui, si elle n'est pas évitée, PEUT entraîner la mort ou des blessures graves.

#### ⚠️ CAUTION

Attention indique une situation potentiellement dangereuse qui, si elle n'est pas évitée, PEUT entraîner des blessures mineures ou modérées.

#### NOTICE

Informations nécessitant une attention particulière.

#### Instructions de sécurité importantes



**GARDEZ CES INSTRUCTIONS !**

#### ⚠️ WARNING

Lorsque la machine est utilisée, les précautions suivantes doivent toujours être prises en compte :

1. Lisez toutes les instructions avant d'utiliser la machine.
2. Pour réduire le risque de blessure, une surveillance étroite est nécessaire lorsqu'une machine est utilisée à proximité d'enfants.
3. Débranchez TOUJOURS l'alimentation électrique avant de démonter ou de réparer l'unité de la machine.
4. Respectez tous les codes de sécurité ainsi que la loi sur la santé et la sécurité au travail (OSHA).
5. Assurez-vous que les dispositifs de sécurité fonctionnent correctement avant d'utiliser la machine. NE PAS retirer ou modifier une partie quelconque du pistolet ou de l'unité de la machine.
6. Savoir comment arrêter cette machine et purger la pression rapidement. Connaître parfaitement les commandes.
7. Restez vigilant - regardez ce que vous faites.
8. N'utilisez pas la machine si vous êtes fatigué ou sous l'influence de l'alcool ou de drogues.
9. Maintenez la zone d'opération à l'écart de toute personne.
10. Ne vous penchez pas trop et ne vous tenez pas sur un support instable. Gardez un bon pied et un bon équilibre à tout moment.
11. Suivez les instructions d'entretien spécifiées dans le manuel.
12. Utilisez le produit de nettoyage fourni ou recommandé par le fabricant.



13. Ne posez la machine que sur un endroit stable lors de l'utilisation, du transport, du montage et du démontage. Ne manipulez pas la machine de manière brutale lors du transport.

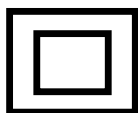
14. en cas d'accident (par exemple, contact avec des détergents, rinçage à l'eau claire en abondance), veuillez toujours éteindre la machine et retirer la fiche de la prise de courant, et débrancher le raccordement à l'eau.

15. La machine n'est pas destinée à être raccordée au réseau d'eau potable. En cas de besoin, veuillez utiliser uniquement un tuyau d'admission approuvé par la norme IEC 61770.

Risque d'injection ou de blessure grave. Se tenir à l'écart de la buse. Ne pas projeter les jets sur les personnes. Cette machine ne doit être utilisée que par des opérateurs formés. Toujours retirer la lance du pistolet avant de nettoyer les débris de l'embout.

- Ne vous approchez pas de la buse. Ne JAMAIS diriger le jet haute pression vers une personne, un animal ou soi-même.
- Portez toujours des lunettes de sécurité ou des lunettes à coques et des vêtements de protection lors de l'utilisation ou de l'entretien.
- Ne mettez jamais la main ou les doigts sur l'embout de pulvérisation lorsque vous utilisez l'appareil.
- N'essayez jamais d'arrêter ou de dévier les fuites avec une partie du corps.
- Engagez toujours le verrou de sécurité de la gâchette en position de sécurité, même si la pulvérisation est arrêtée pendant un moment.
- Suivez toujours les recommandations de l'étiquette du fabricant de détergent pour une utilisation correcte des détergents. Toujours protéger les yeux, la peau et le système respiratoire lors de l'utilisation de détergents.

### ⚠ WARNING



#### Entretien d'une machine à double isolation

Dans une machine à double isolation, deux systèmes d'isolation sont prévus à la place de la mise à la terre. Aucun moyen de mise à la terre n'est prévu pour une machine à double isolation, et aucun moyen de mise à la terre ne doit être ajouté à la machine. L'entretien d'une machine à double isolation exige une attention extrême et une connaissance du système, et ne doit être effectué que par un personnel d'entretien qualifié.

Les pièces de rechange d'une machine à double isolation doivent être identiques aux pièces d'origine. Une machine à double isolation est marquée des mots "Double Isolation" ou "Double Isolation".

La machine peut également être marquée du symbole illustré à la figure 1.

**AVERTISSEMENT !** N'utilisez pas une pression supérieure à la pression de service de l'une des pièces (tuyaux, raccords, etc.) du système sous pression. Assurez-vous que tous les équipements et accessoires sont conçus pour résister à la pression de service maximale de l'unité.

**AVERTISSEMENT !** Risque d'explosion. Ne jamais pulvériser de liquides inflammables ou utiliser le nettoyeur haute pression dans des zones contenant des poussières, des liquides ou des vapeurs combustibles. Ne faites jamais fonctionner la machine dans un bâtiment fermé ou dans ou près d'un environnement explosif.

**AVERTISSEMENT !** Ne pas pulvériser les appareils et le câblage électriques.

- Ne débranchez jamais le tuyau d'évacuation haute pression de la machine lorsque le système est sous pression. Pour dépressuriser la machine, coupez l'alimentation en eau et en électricité, puis appuyez sur la gâchette du pistolet 2~3 fois.
- N'engagez jamais de façon permanente le mécanisme de la détente du pistolet.
- N'utilisez jamais la machine sans que tous les composants soient correctement connectés à la machine (poignée, ensemble pistolet/baguettes, buse, etc.).

**AVERTISSEMENT !** Endommagement de l'équipement.

- Ouvrez TOUJOURS l'alimentation en eau avant de mettre le nettoyeur haute pression en marche. Le fonctionnement de la pompe à sec cause de sérieux dommages.
- N'utilisez pas le nettoyeur haute pression si la grille d'entrée d'eau est enlevée. Gardez le tamis exempt de débris et de sédiments.
- N'utilisez JAMAIS un nettoyeur haute pression avec des pièces cassées ou manquantes. Vérifiez régulièrement l'équipement et réparez ou remplacez immédiatement les pièces usées ou endommagées.
- Utilisez uniquement la buse fournie avec cette machine.
- Ne laissez jamais la baguette sans surveillance lorsque la machine est en marche.
- N'essayez jamais de modifier les paramètres d'usine.

La modification des paramètres d'usine peut endommager l'appareil et annuler la garantie.

- Tenez toujours fermement le pistolet et la baguette lors du démarrage et de l'utilisation de la machine.
- Ne laissez JAMAIS l'appareil fonctionner avec la gâchette relâchée (arrêtée) pendant plus d'une (1) minute. L'accumulation de chaleur qui en résulterait endommagerait la pompe.
- Le nettoyeur haute pression n'est pas censé pomper de l'eau chaude. Ne le raccordez JAMAIS à une alimentation en eau chaude, car cela réduirait considérablement la durée de vie de la pompe.
- Ne remisez JAMAIS le nettoyeur haute pression à l'extérieur ou dans un endroit où il pourrait geler. La pompe serait sérieusement endommagée.
- Relâchez la gâchette lorsque vous passez du mode haute pression au mode basse pression. Le non-respect de cette consigne peut entraîner des dommages.
- Faites attention au recul provoqué par le jet d'eau lors de la mise en marche de la machine.



**ATTENTION** : Gardez le tuyau à l'écart des objets tranchants. L'éclatement des tuyaux peut provoquer des blessures. Examinez régulièrement le tuyau et remplacez-le s'il est endommagé.

N'essayez pas de réparer un tuyau endommagé.

### Rallonges électriques

L'utilisation d'une rallonge n'est pas recommandée. N'utilisez que des rallonges prévues pour une utilisation en extérieur. Celles-ci sont identifiées par la marque "Acceptable pour une utilisation avec des machines en extérieur ; rangez-les à l'intérieur lorsqu'elles ne sont pas utilisées." N'utilisez que des rallonges ayant une puissance électrique égale ou supérieure à celle de la machine. N'utilisez pas de rallonges endommagées. Examinez la rallonge avant de l'utiliser et remplacez-la si elle est endommagée. Ne pas abuser de la rallonge. Ne tirez pas sur le cordon pour le débrancher. Maintenez le cordon à l'écart de la chaleur et des bords tranchants.

Toujours débrancher le cordon de la prise de courant avant de débrancher la machine de la rallonge.

### **⚠ DANGER**

Le non-respect de ces instructions peut entraîner des blessures graves, voire mortelles.



### **⚠ WARNING**

Pour réduire le risque d'électrocution, gardez toutes les connexions au sec et hors du sol. Ne pas toucher la fiche avec des mains mouillées.

Les machines ne doivent pas être utilisées par des enfants. Les enfants doivent être surveillés pour s'assurer qu'ils ne jouent pas avec la machine. Cette machine n'est pas destinée à être utilisée par des personnes (y compris les enfants) dont les capacités physiques, sensorielles ou mentales sont réduites, ou qui manquent d'expérience et de connaissances.

**AVERTISSEMENT** ! Cette machine a été conçue pour être utilisée avec le produit de nettoyage fourni ou recommandé par le fabricant. L'utilisation d'autres agents de nettoyage ou produits chimiques peut nuire à la sécurité de la machine.

**AVERTISSEMENT** ! Les jets haute pression peuvent être dangereux en cas de mauvaise utilisation. Le jet ne doit pas être dirigé vers des personnes, des équipements électriques sous tension ou la machine elle-même.

**AVERTISSEMENT** ! Recommandez à l'opérateur de porter des protections auditives.

**AVERTISSEMENT** ! N'utilisez pas la machine à portée de personnes qui ne portent pas de vêtements de protection.

**AVERTISSEMENT** ! Ne dirigez pas le jet contre vous ou d'autres personnes afin de nettoyer les vêtements ou les chaussures.

**AVERTISSEMENT** ! Risque d'explosion - Ne pas pulvériser de liquides inflammables.

**AVERTISSEMENT** ! Les nettoyeurs haute pression ne doivent pas être utilisés par des enfants ou du personnel non formé.

**AVERTISSEMENT** ! Les tuyaux, raccords et couplages haute pression sont importants pour la sécurité de la machine. N'utilisez que les tuyaux, raccords et couplages recommandés par le fabricant.

**AVERTISSEMENT** ! Pour garantir la sécurité de la machine, n'utilisez que des pièces de rechange originales du fabricant ou approuvées par celui-ci.

**AVERTISSEMENT** ! L'eau qui a traversé les dispositifs anti-refoulement est considérée comme non potable.

**AVERTISSEMENT** ! La machine doit être déconnectée de sa source d'alimentation en retirant la fiche de la prise de courant pendant le nettoyage ou l'entretien et lors du remplacement de la machine par une autre fonction.

**AVERTISSEMENT** ! N'utilisez pas la machine si un cordon d'alimentation ou des pièces importantes de la machine sont endommagés, par exemple les dispositifs de sécurité, les tuyaux haute pression, le pistolet à gâchette.

**AVERTISSEMENT** ! Si une rallonge est utilisée, la fiche et la prise doivent être de construction étanche.

**AVERTISSEMENT** ! Des rallonges inadéquates peuvent être dangereuses. Si une rallonge est utilisée, elle doit être adaptée à une utilisation en extérieur, et la connexion doit être maintenue au sec et hors du sol. Il est recommandé de le faire au moyen d'un enrouleur de cordon qui maintient la prise à au moins 60 mm au-dessus du sol.

**AVERTISSEMENT** ! Afin d'éviter tout risque de réenclenchement accidentel du coupe-circuit thermique, cet appareil ne doit pas être alimenté par un dispositif de commutation externe, tel qu'une minuterie, ni être connecté à un circuit régulièrement mis en marche et arrêté par le service public.

**AVERTISSEMENT** ! La machine est destinée à être utilisée à une température supérieure à 0 degré. (uniquement pour les machines équipées du cordon d'alimentation H05VV-F).

**AVERTISSEMENT** ! Pour garantir la sécurité de la machine, n'utilisez que des pièces de rechange originales (y compris la buse) provenant du fabricant ou approuvées par celui-ci. N'utilisez pas la machine avant de les avoir changées si elles sont endommagées.

**AVERTISSEMENT** ! Faites attention au danger de la force de recul sur l'ensemble de pulvérisation lorsque vous ouvrez le pistolet à gâchette et saisissez le pistolet avec les mains fermement.

**AVERTISSEMENT** ! Lors du déplacement et de l'installation de la machine, celle-ci doit être à plat. Lorsque vous déplacez la machine, tirez sur la poignée pour la déplacer.

**AVERTISSEMENT** ! Raccordez la machine à l'alimentation en eau.

Assurez-vous que la pression d'entrée de l'eau reste comprise entre 0,01MPa et 0,4MPa.

Le tuyau d'entrée doit avoir une longueur d'au moins 5 M. Ne pas utiliser le tuyau si celui-ci est endommagé.



### ⚠ WARNING

La machine ne peut pas être raccordée directement au réseau d'eau potable.

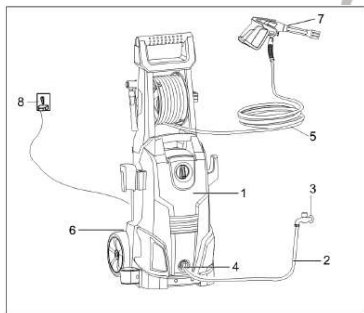
**AVERTISSEMENT !** Débranchez l'alimentation électrique avant de procéder à l'entretien de l'utilisateur.

Si le câble d'alimentation est endommagé, il doit être remplacé par le fabricant, son agent de service ou une personne de qualification similaire afin d'éviter tout danger.

## Connexion

1. Fixez le tuyau haute pression à la sortie d'eau sous pression de la machine.
2. Fixez la poignée de pulvérisation au tuyau haute pression. Avant d'utiliser la machine, assurez-vous que le tuyau haute pression a été complètement déroulé. Pendant le fonctionnement de la machine, le tuyau ne DOIT pas faire de boucle.
3. Montez la buse ou tout autre équipement que vous souhaitez utiliser.
4. Raccordez la machine aux réseaux d'eau et d'électricité.

### Installation, raccordements électriques et d'eau



1. Nettoyeur à pression
2. Tuyau d'alimentation en eau
3. Raccordement à l'eau
4. Entrée d'eau
5. Tube haute pression
6. Sortie d'eau
7. Pistolet à peinture
8. Alimentation électrique

\* Les numéros 2, 3 et 8 ne sont pas inclus.

## Pré-opérationnel

### Réglage de la configuration du ventilateur

L'angle du jet sortant de la lance peut être réglé sur certaines lances en faisant tourner la buse. Cela permet de faire varier le jet d'un jet étroit à fort impact d'environ 0° à un jet large en éventail de 60° (voir figure 2).

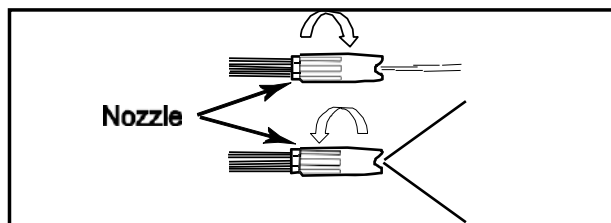
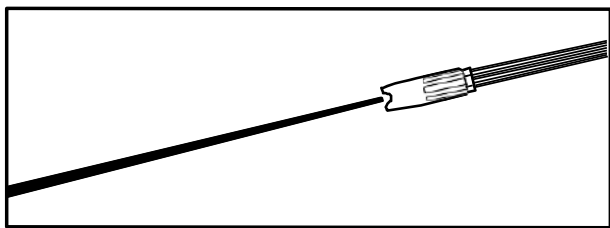


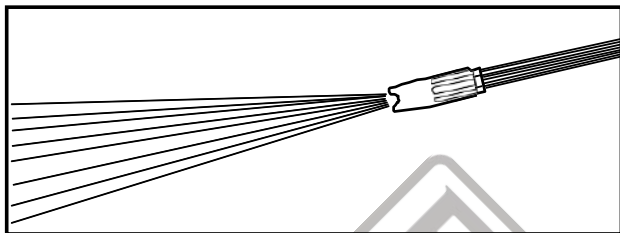
Figure 2 - Réglage de la buse pour la configuration du ventilateur (non applicable sur certaines buses)



**Figure 3 - Ruisseau étroit à fort impact**

Un jet étroit a une force d'impact élevée sur la surface à nettoyer et permet un nettoyage en profondeur maximal dans une zone concentrée. Toutefois, ce jet étroit à forte force d'impact doit être utilisé avec précaution, car il peut endommager certaines surfaces.

Un éventail large répartit l'impact de l'eau sur une plus grande surface, ce qui permet d'obtenir un excellent nettoyage tout en réduisant le risque d'endommager les surfaces. Les grandes surfaces peuvent être nettoyées plus rapidement avec un éventail large.

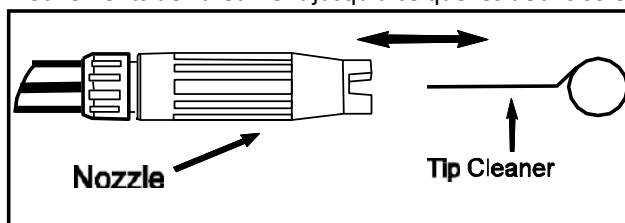


**Figure 4 - Large spectre de pulvérisation**

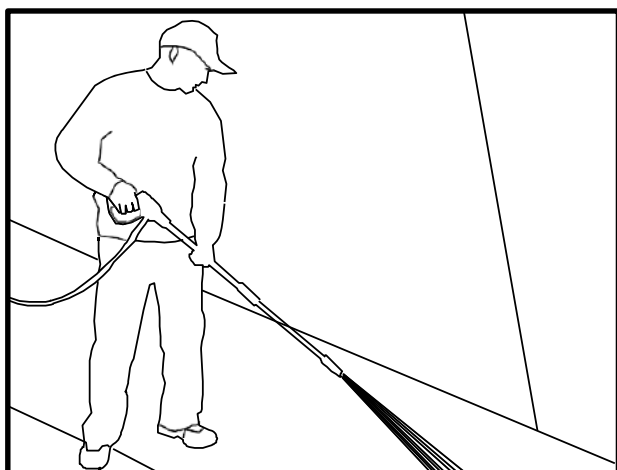
#### Instructions de nettoyage de la buse

Une buse obstruée ou partiellement obstruée peut entraîner une réduction significative de l'eau sortant de la buse et provoquer une pulsation de l'appareil pendant la pulvérisation. Pour nettoyer la buse :

- Éteignez et débranchez l'appareil.
- Coupez l'alimentation en eau. Relâchez toute pression piégée dans le tuyau en appuyant 2 ou 3 fois sur la gâchette.
- Séparez la lance du canon.
- Tournez la buse sur le réglage de jet étroit. Cela permet d'ouvrir les pales du ventilateur.
- À l'aide du nettoyeur d'embout fourni ou d'un trombone déplié, insérez le fil dans l'orifice de la buse et faites des mouvements de va-et-vient jusqu'à ce que les débris soient délogés. (Voir la figure 5.)



**Figure 5 - Insérez le nettoyeur d'embouts dans le trou de la buse et déplacez-le d'avant en arrière jusqu'à ce que les débris soient délogés.**



**Figure 6 - Angle optimal pour le nettoyage des surfaces**

Éliminez les débris supplémentaires en faisant passer de l'eau à contre-courant par la buse. Pour ce faire, placez l'extrémité d'un tuyau d'arrosage (avec de l'eau courante) à l'extrémité de la buse pendant 30 à 60 secondes.

#### Angle par rapport à la surface de nettoyage

Lorsque l'on pulvérise de l'eau sur une surface, l'impact est maximal lorsque l'eau frappe la surface "de face".

Cependant, ce type d'impact a tendance à provoquer l'incrustation des particules de saleté dans la surface, empêchant ainsi l'action de nettoyage souhaitée.

L'angle optimal pour pulvériser de l'eau contre une surface à nettoyer est de 45 degrés.

La pulvérisation d'eau contre une surface selon cet angle permet d'obtenir la force d'impact la plus bénéfique et d'éliminer efficacement les débris de la surface.

### Distance de la surface de nettoyage

Un autre facteur qui détermine la force d'impact de l'eau est la distance entre la buse de pulvérisation et la surface à nettoyer. La force d'impact de l'eau augmente à mesure que la buse se rapproche de la surface.

### Comment éviter d'endommager les surfaces

Les dommages aux surfaces de nettoyage se produisent parce que la force d'impact de l'eau dépasse la durabilité de la surface. La force d'impact peut être modifiée en contrôlant les trois éléments mentionnés précédemment. N'utilisez jamais un jet étroit à fort impact ou une buse turbo/rotative sur une surface susceptible d'être endommagée. Évitez de pulvériser des vitres avec un jet étroit à impact élevé ou une buse turbo, car cela pourrait les briser. Le moyen le plus sûr d'éviter d'endommager les surfaces est de suivre les étapes suivantes :

1. Avant de déclencher le pistolet, réglez la buse pour obtenir un large éventail.
2. Placez la buse à environ 4-5 pieds de la surface à nettoyer et à 45 degrés par rapport à celle-ci, et déclenchez le pistolet.
3. Variez l'angle de pulvérisation du ventilateur et la distance par rapport à la surface à nettoyer jusqu'à ce que vous obteniez une efficacité de nettoyage optimale sans endommager la surface.

### Buse turbo (non fournie avec tous les modèles)

Une turbo-buse, parfois appelée buse rotative, est un outil très efficace qui permet de réduire considérablement le temps de nettoyage. La buse turbo combine la puissance d'un jet étroit à fort impact et l'efficacité d'un éventail de 25 degrés. Ce dernier fait tourbillonner le jet étroit à fort impact en une forme conique qui nettoie une plus grande surface.

**ATTENTION :** Comme la buse turbo utilise un jet étroit à fort impact, ne l'utilisez que dans des applications où la surface à nettoyer ne peut pas être endommagée par un jet étroit à fort impact. De plus, la buse turbo n'est PAS réglable et ne peut pas être utilisée pour appliquer du détergent.

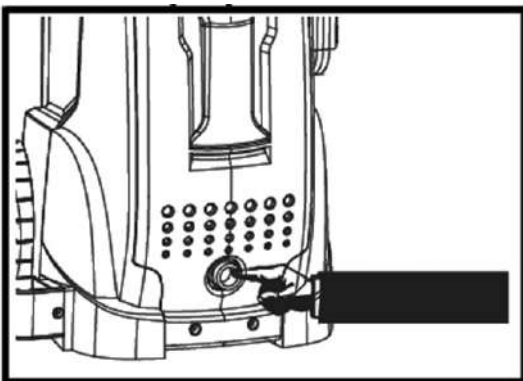


Figure 7

#### Filtre d'entrée d'eau

Le filtre d'entrée d'eau doit être inspecté régulièrement, afin d'éviter tout blocage et toute restriction de l'alimentation en eau de la pompe (fig 7).

### Détergents

L'utilisation de détergents peut réduire considérablement le temps de nettoyage et aider à éliminer les taches difficiles. Certains détergents ont été adaptés à l'utilisation des nettoyeurs haute pression pour des tâches de nettoyage spécifiques. Ces détergents sont à peu près aussi épais que de l'eau. L'utilisation de détergents plus épais, comme le savon à vaisselle, obstrue le système d'injection chimique et empêche l'application du détergent.

Le pouvoir nettoyant des détergents provient de leur application sur une surface et du temps qu'ils laissent aux produits chimiques pour décomposer la saleté et la crasse. Les détergents sont plus efficaces lorsqu'ils sont appliqués à basse pression.

La combinaison de l'action chimique et du rinçage à haute pression est très efficace. Sur les surfaces verticales, appliquez le détergent en commençant par le bas et en remontant. Vous éviterez ainsi que le détergent ne glisse vers le bas et ne provoque des traces. Le rinçage à haute pression doit également progresser de bas en haut. Pour les taches particulièrement tenaces, il peut être nécessaire d'utiliser une brosse en combinaison avec les détergents et le rinçage à haute pression.

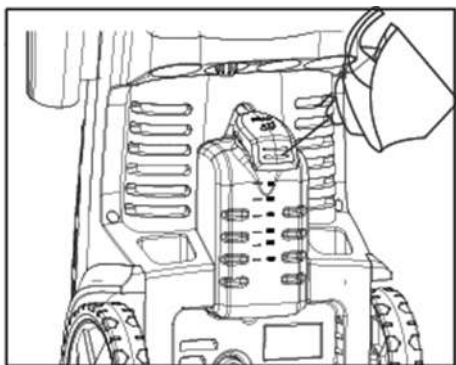


Figure 8

#### Utilisation du détergent

Ajoutez du détergent dans le récipient. Réglez la lance de pulvérisation réglable en position basse pression. (Fig 8)  
Déclenchez le pistolet pour pulvériser le détergent.

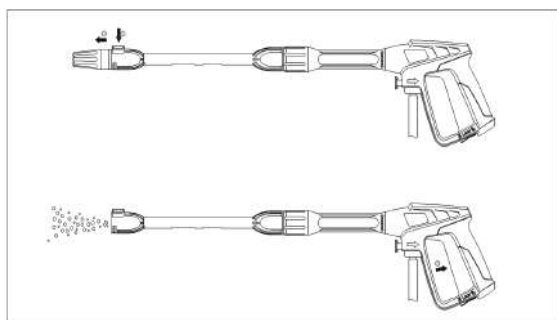


Figure 9

#### Méthode de nettoyage à la mousse

Veillez à insérer la solution de nettoyage dans le pot d'aspiration intégré et à retirer l'embout comme indiqué sur la figure 9.

## Opération

La procédure de nettoyage suivante vous aidera à organiser votre tâche de nettoyage et vous permettra d'obtenir les meilleurs résultats en un minimum de temps.

N'oubliez pas d'utiliser les techniques de pulvérisation/nettoyage énumérées précédemment.

### 1. Préparation de la surface

Avant de commencer un travail de nettoyage à la pression, il est important de préparer la surface à nettoyer. Pour ce faire, il faut débarrasser la zone des meubles et s'assurer que toutes les fenêtres et les portes sont bien fermées. En outre, vous devez vous assurer que toutes les plantes et tous les arbres adjacents à la zone de nettoyage sont protégés par une toile. Ainsi, vos plantes ne seront pas aspergées par les détergents.

### 2. Rinçage initial à haute pression

L'étape suivante consiste à asperger la surface à nettoyer avec de l'eau pour éliminer toute saleté ou crasse qui pourrait s'y être accumulée. Cela permettra à votre détergent d'attaquer la saleté en profondeur qui s'est infiltrée dans la surface de nettoyage. Avant de déclencher le pistolet, réglez la buse sur un jet en éventail large, puis ajustez lentement pour obtenir le jet souhaité. Cela vous permettra d'éviter d'appliquer un jet trop concentré sur la surface, ce qui pourrait l'endommager.

### 3. Rinçage final

Commencez le rinçage final du bas vers le haut. Assurez-vous de bien rincer la surface et que tout le détergent a été éliminé.

#### 4. Arrêtez

1. Assurez-vous que tout le détergent est évacué du système.
2. Arrêtez le moteur.
3. Coupez l'alimentation en eau.
4. Après avoir coupé le moteur et l'alimentation en eau, déclenchez le pistolet pour dépressuriser le système.

**ATTENTION** : Ne JAMAIS couper l'alimentation en eau avant d'arrêter le moteur. La pompe et/ou le moteur pourraient être gravement endommagés.

**AVERTISSEMENT** ! Ne débranchez JAMAIS le tuyau d'évacuation haute pression de la machine lorsque le système est sous pression. Pour dépressuriser, arrêter le moteur, couper l'alimentation en eau et appuyer 2 ou 3 fois sur la gâchette du pistolet.

5. Après chaque utilisation, essuyez toutes les surfaces du nettoyeur haute pression avec un chiffon propre et humide.

### 5. Stockage

Ne pas stocker le nettoyeur haute pression à l'extérieur.

Ne stockez pas le nettoyeur haute pression dans un endroit où il pourrait geler.

## Conseils pour prolonger la durée de vie de votre nettoyeur haute pression

1. Ne jamais faire fonctionner l'appareil sans eau.
2. Le nettoyeur haute pression n'est pas conçu pour pomper de l'eau chaude. Ne jamais raccorder à l'alimentation en eau chaude - cela réduirait considérablement la durée de vie de la pompe.
3. L'utilisation d'un détergent d'une autre marque peut endommager les composants de la pompe (joints toriques, etc.), de même que les produits chimiques tels que l'eau de Javel, le savon à vaisselle, etc.
4. Ne faites jamais fonctionner l'appareil pendant plus d'une (1) minute sans pulvériser de l'eau. L'accumulation de chaleur qui en résulterait endommagerait la pompe.
5. Avant de régler la pression de la buse (de haut en bas ou de bas en haut), relâchez la gâchette. Le non-respect de cette consigne réduira la durée de vie des joints toriques de la lance.

### Dépannage

Problème	Cause possible	Résolution
La laveuse à pression ne démarre pas	<ol style="list-style-type: none"> <li>1. La pression s'est accumulée dans l'unité</li> <li>2. La fiche n'est pas bien branchée ou la prise électrique est défectueuse</li> <li>3. La rallonge est trop longue ou la taille du fil est trop petite</li> <li>4. La tension d'alimentation principale est trop faible</li> <li>5. La sécurité thermique s'est déclenchée</li> </ol>	<ol style="list-style-type: none"> <li>1. Pressez la gâchette du pistolet</li> <li>2. Vérifiez la fiche, la prise et le fusible</li> <li>3. Retirer la rallonge</li> <li>4. Vérifiez que l'alimentation en tension est adéquate</li> <li>5. Arrêtez l'appareil et laissez le moteur refroidir</li> </ol>
La pompe n'atteint pas la pression nécessaire	<ol style="list-style-type: none"> <li>1. Le filtre d'entrée d'eau est bouché</li> <li>2. La pompe aspire de l'air au niveau des raccords de tuyaux</li> <li>3. La buse est usée ou n'est pas de la bonne taille</li> <li>4. Le déchargeur est obstrué ou usé</li> <li>5. Les soupapes sont obstruées ou usées</li> </ol>	<ol style="list-style-type: none"> <li>1. Nettoyer le filtre d'entrée d'eau</li> <li>2. Vérifiez que les connexions et la bague de verrouillage sont correctement serrées.</li> <li>3. Appelez le concessionnaire</li> <li>4. Appelez le concessionnaire</li> <li>4. Appelez le concessionnaire</li> </ol>
Pression fluctuante	<ol style="list-style-type: none"> <li>1. La pompe aspire de l'air</li> <li>2. Buse obstruée</li> <li>3. Soupapes sales, usées ou coincées</li> <li>4. Joints d'eau usés</li> </ol>	<ol style="list-style-type: none"> <li>1. Vérifiez que les tuyaux et les connexions sont bien serrés</li> <li>2. Nettoyer avec le nettoyant pour embouts</li> <li>3. Appelez le concessionnaire</li> <li>4. Appelez le concessionnaire</li> </ol>
Le moteur s'arrête soudainement	<ol style="list-style-type: none"> <li>1. La rallonge est trop longue ou la taille du fil est trop petite</li> <li>2. L'interrupteur de sécurité thermique a déclenché en raison d'une surchauffe</li> </ol>	<ol style="list-style-type: none"> <li>1. Retirer la rallonge</li> <li>2. Vérifiez que la tension d'alimentation correspond aux spécifications de l'appareil.</li> </ol>





**AVVERTENZA:** Non utilizzare la macchina senza aver letto il foglio di istruzioni!

## Applicazione

La LAVATRICE A PRESSIONE PORTATILE è una macchina multifunzionale altamente specializzata con una garanzia di sicurezza eccezionalmente affidabile, che deve essere ispezionata prima di essere utilizzata per lavare e pulire auto, biciclette e altre attrezzature da esterno o cortili da giardino, serre ecc.

### Sicurezza e avvertenze

#### Accensione/spengimento automatico:

Il motore di questa idropulitrice non funziona continuamente. Funziona solo quando si preme il grilletto della pistola a spruzzo. Dopo aver seguito le procedure di avviamento riportate in questo manuale, accendere l'idropulitrice e premere il grilletto per attivarla. Per ulteriori dettagli, consultare la sezione "Istruzioni per l'uso" del presente manuale.

#### ⚠ WARNING

Il collegamento all'alimentazione elettrica deve essere effettuato da una persona qualificata e deve essere conforme alla norma IEC 60364-1. L'alimentazione elettrica di questa macchina deve includere un dispositivo di corrente residua che interrompa l'alimentazione se la corrente di dispersione a terra supera i 30 mA per 30 ms o un dispositivo che provi il circuito di terra.

#### ⚠ WARNING

Il metodo operativo da seguire in caso di incidente (ad es. contatto con detersivi: sciacquare con abbondante acqua pulita) o di guasto per evitare situazioni di pericolo.

#### ⚠ WARNING

Il motore di questa idropulitrice **NON** funziona se non viene premuto il grilletto.

## Linee guida per la sicurezza

Questo manuale contiene informazioni molto importanti da conoscere e comprendere.

Queste informazioni sono fornite per la SICUREZZA e per PREVENIRE I PROBLEMI DELL'APPARECCHIO. Per riconoscere queste informazioni, osservare i seguenti simboli.

#### ⚠ DANGER

Pericolo indica una situazione di pericolo imminente che, se non evitata, POTREBBE causare morte o lesioni gravi.

#### ⚠ WARNING

L'avvertenza indica una situazione potenzialmente pericolosa che, se non evitata, POTREBBE causare morte o lesioni gravi.

#### ⚠ CAUTION

Attenzione indica una situazione potenzialmente pericolosa che, se non viene evitata, può provocare lesioni lievi o moderate.

#### NOTICE

Informazioni che richiedono particolare attenzione.

### Istruzioni importanti per la sicurezza



**CONSERVATE QUESTE ISTRUZIONI!**

#### ⚠ WARNING

Quando si utilizza la macchina, si devono sempre prendere le seguenti precauzioni:

1. Leggere tutte le istruzioni prima di utilizzare la macchina.
2. Per ridurre il rischio di lesioni, è necessaria una stretta sorveglianza quando la macchina viene utilizzata in prossimità di bambini.
3. Scollegare SEMPRE l'alimentazione prima di smontare o riparare l'unità della macchina.
4. Seguire tutti i codici di sicurezza e l'Occupational Safety and Health Act (OSHA).
5. Prima di utilizzare la macchina, accertarsi che i dispositivi di sicurezza funzionino correttamente. **NON** rimuovere o modificare alcuna parte della pistola o dell'unità della macchina.
6. Sapere come arrestare la macchina e scaricare rapidamente la pressione. Conoscere a fondo i comandi.
7. State all'erta: osservate ciò che fate.



8. Non utilizzare la macchina quando si è affaticati o sotto l'effetto di alcol o droghe.
9. Mantenere l'area di lavoro libera da tutte le persone.
10. Non sporgersi eccessivamente e non appoggiarsi su supporti instabili. Mantenere sempre un buon appoggio e un buon equilibrio.
11. Seguire le istruzioni di manutenzione specificate nel manuale.
12. Utilizzare il detergente fornito o consigliato dal produttore.
13. Posizionare la macchina in un luogo stabile solo durante l'uso, il trasporto, il montaggio e lo smontaggio. Non maneggiare la macchina in modo brusco durante il trasporto.
14. in caso di incidente (ad es. contatto con detersivi, risciacquo con abbondante acqua pulita), spegnere sempre l'apparecchio, estrarre la spina dalla presa di corrente e staccare il collegamento con l'acqua.
15. La macchina non deve essere collegata alla rete dell'acqua potabile. Se necessario, utilizzare solo tubi di ingresso approvati dalla norma IEC 61770.

Rischio di iniezione o di lesioni gravi. Tenersi lontani dall'ugello. Non scaricare i getti sulle persone. Questa macchina deve essere utilizzata solo da operatori qualificati. Rimuovere sempre la lancia dalla pistola prima di pulire i detriti dalla punta.

- Tenersi lontani dall'ugello. Non dirigere MAI il getto ad alta pressione su persone, animali o su se stessi.
- Indossare sempre occhiali o maschere di sicurezza e indumenti protettivi durante il funzionamento o la manutenzione.
- Non mettere mai le mani o le dita sopra l'ugello di spruzzatura durante il funzionamento dell'unità.
- Non cercare mai di fermare o deviare le perdite con una parte del corpo.
- Inserire sempre il fermo di sicurezza del grilletto in posizione di sicurezza anche quando si interrompe momentaneamente l'erogazione.
- Seguire sempre le raccomandazioni del produttore dei detersivi per il loro corretto utilizzo. Proteggere sempre gli occhi, la pelle e le vie respiratorie dall'uso dei detersivi.

## ⚠ WARNING



### Manutenzione di una macchina a doppio isolamento

In una macchina a doppio isolamento, al posto della messa a terra sono previsti due sistemi di isolamento. Non sono previsti mezzi di messa a terra per una macchina a doppio isolamento, né devono essere aggiunti mezzi di messa a terra alla macchina. La manutenzione di una macchina a doppio isolamento richiede estrema attenzione e conoscenza del sistema e deve essere eseguita solo da personale qualificato.

Le parti di ricambio per una macchina a doppio isolamento devono essere identiche a quelle originali. Una macchina a doppio isolamento è contrassegnata dalla dicitura "Doppio isolamento" o "Doppio isolamento". La macchina può anche essere contrassegnata con il simbolo illustrato nella Figura 1.

**AVVERTENZA!** Non utilizzare una pressione superiore alla pressione di esercizio delle parti (tubi, raccordi, ecc.) del sistema pressurizzato. Assicurarsi che tutte le apparecchiature e gli accessori siano adatti a sopportare la pressione massima di esercizio dell'unità.

**AVVERTENZA!** Pericolo di esplosione. Non spruzzare mai liquidi infiammabili né utilizzare l'idropulitrice in aree contenenti polveri, liquidi o vapori combustibili. Non utilizzare mai la macchina in un edificio chiuso o in un ambiente esplosivo.

**AVVERTENZA!** Non spruzzare apparecchi e cavi elettrici.

- Non scollegare mai il tubo di scarico ad alta pressione dalla macchina mentre il sistema è pressurizzato. Per depressurizzare la macchina, spegnere l'alimentazione elettrica e idrica, quindi premere il grilletto della pistola 2~3 volte.
- Non innestate mai in modo permanente il meccanismo del grilletto della pistola.
- Non utilizzare mai la macchina senza che tutti i componenti siano correttamente collegati alla macchina (impugnatura, gruppo pistola/manico, ugello, ecc.).

**AVVERTENZA!** Danni alle apparecchiature.

- Accendere SEMPRE l'alimentazione dell'acqua prima di accendere l'idropulitrice. Il funzionamento a secco della pompa provoca gravi danni.
- Non utilizzare l'idropulitrice con la griglia di ingresso dell'acqua rimossa. Mantenere lo schermo libero da detriti e sedimenti.
- Non utilizzare MAI l'idropulitrice con parti rotte o mancanti. Controllare regolarmente l'attrezzatura e riparare o sostituire immediatamente le parti usurate o danneggiate.
- Utilizzare esclusivamente l'ugello fornito con la macchina.
- Non lasciare mai la bacchetta incustodita mentre la macchina è in funzione.
- Non tentare mai di modificare le impostazioni di fabbrica.

La modifica delle impostazioni di fabbrica potrebbe danneggiare l'unità e invalidare la garanzia.

- Tenere sempre saldamente la pistola e la bacchetta durante l'avviamento e il funzionamento della macchina.
- Non lasciare MAI che l'unità funzioni con il grilletto rilasciato (spento) per più di un (1) minuto. L'accumulo di calore che ne deriva danneggia la pompa.
- L'idropulitrice non deve pompare acqua calda. Non collegarla MAI a un'alimentazione di acqua calda per non ridurre significativamente la durata della pompa.
- Non conservare MAI l'idropulitrice all'aperto o in un luogo dove potrebbe congelare. La pompa potrebbe subire gravi danni.

- Rilasciare il grilletto quando si passa dalla modalità di alta a quella di bassa pressione. In caso contrario, si potrebbero verificare danni.
- Fare attenzione al contraccolpo causato dal getto d'acqua quando la macchina è accesa.

**ATTENZIONE:** Tenere il tubo flessibile lontano da oggetti appuntiti. I tubi flessibili che scoppiano possono causare lesioni. Esaminare regolarmente il tubo e sostituirlo se danneggiato.

Non tentare di riparare un tubo danneggiato.

### Prolunghe

Si sconsiglia l'uso di una prolunga. Utilizzare solo prolunghe destinate all'uso esterno. Queste sono identificate dal marchio "Accettabile per l'uso con macchine all'aperto; conservare al coperto quando non vengono utilizzate". Utilizzare solo prolunghe con una potenza elettrica pari o superiore a quella della macchina. Non utilizzare prolunghe danneggiate. Esaminare la prolunga prima dell'uso e sostituirla se danneggiata. Non abusare della prolunga. Non tirare il cavo per scollegarlo. Tenere il cavo lontano da fonti di calore e da bordi taglienti.

Scollegare sempre il cavo dalla presa prima di scollegare la macchina dalla prolunga.



La mancata osservanza di queste istruzioni può causare gravi lesioni, anche mortali.



Per ridurre il rischio di folgorazione, mantenere tutti i collegamenti asciutti e lontani da terra. Non toccare la spina con le mani bagnate.

Le macchine non devono essere utilizzate dai bambini. I bambini devono essere sorvegliati per evitare che giochino con la macchina. Questa macchina non è destinata all'uso da parte di persone (compresi i bambini) con ridotte capacità fisiche, sensoriali o mentali, o con mancanza di esperienza e conoscenza.

**AVVERTENZA!** Questa macchina è stata progettata per essere utilizzata con il detergente fornito o raccomandato dal produttore. L'uso di altri detergenti o prodotti chimici può compromettere la sicurezza della macchina.

**ATTENZIONE!** I getti ad alta pressione possono essere pericolosi se utilizzati in modo improprio. Il getto non deve essere diretto verso persone, apparecchiature elettriche sotto tensione o la macchina stessa.

**AVVERTENZA!** Raccomandare all'operatore di indossare protezioni per le orecchie.

**AVVERTENZA!** Non utilizzare la macchina nel raggio d'azione di persone che non indossino indumenti protettivi.

**AVVERTENZA!** Non dirigere il getto contro se stessi o altri per pulire gli indumenti o le calzature.

**AVVERTENZA!** Rischio di esplosione: non spruzzare liquidi infiammabili.

**ATTENZIONE!** Le idropulitrici non devono essere utilizzate da bambini o da personale non addestrato.

**ATTENZIONE!** I tubi, i raccordi e gli accoppiamenti ad alta pressione sono importanti per la sicurezza della macchina. Utilizzare solo tubi, raccordi e giunti raccomandati dal produttore.

**ATTENZIONE!** Per garantire la sicurezza della macchina, utilizzare solo ricambi originali del produttore o approvati dal produttore.

**ATTENZIONE!** L'acqua che ha attraversato i dispositivi di prevenzione del reflusso è considerata non potabile.

**ATTENZIONE!** La macchina deve essere scollegata dalla fonte di alimentazione rimuovendo la spina dalla presa di corrente durante la pulizia o la manutenzione e quando si sostituisce la macchina ad un'altra funzione.

**ATTENZIONE!** Non utilizzare la macchina se il cavo di alimentazione o parti importanti della macchina sono danneggiati, ad esempio dispositivi di sicurezza, tubi flessibili ad alta pressione, pistola a grilletto.

**ATTENZIONE!** Se si utilizza una prolunga, la spina e la presa devono essere a tenuta stagna.

**ATTENZIONE!** Le prolunghe inadeguate possono essere pericolose. Se si utilizza una prolunga, questa deve essere adatta all'uso esterno e il collegamento deve essere mantenuto asciutto e lontano dal suolo. Si consiglia di utilizzare un avvolgicavo che mantenga la presa ad almeno 60 mm dal suolo.

**ATTENZIONE!** Al fine di evitare un pericolo dovuto al ripristino involontario del taglio termico, questo apparecchio non deve essere alimentato tramite un dispositivo di commutazione esterno, come un timer, o collegato a un circuito che viene regolarmente acceso e spento dalla rete elettrica.

**ATTENZIONE!** L'apparecchio è destinato a essere utilizzato a una temperatura superiore a 0 gradi. (Solo per macchine con cavo di alimentazione H05VV-F).

**ATTENZIONE!** Per garantire la sicurezza della macchina, utilizzare solo ricambi originali (compresi gli ugelli) del produttore o approvati dal produttore. Non utilizzare la macchina prima di averli sostituiti se sono danneggiati.

**ATTENZIONE!** Fare attenzione al pericolo di contraccolpo sul gruppo di spruzzatura quando si apre la pistola a grilletto e afferrare la pistola con le mani saldamente.

**ATTENZIONE!** Durante lo spostamento e l'installazione, la macchina deve essere in piano. Quando si sposta la macchina, tirare la maniglia per spostarla.

**ATTENZIONE!** Collegare la macchina alla rete idrica.

Assicurarsi che la pressione dell'acqua in ingresso sia compresa tra 0,01MPa e 0,4MPa.

Il tubo di ingresso deve avere una lunghezza minima di 5 metri. Non utilizzare il tubo se è danneggiato.



### ⚠ WARNING

La macchina non è adatta per il collegamento diretto alla rete idrica potabile.

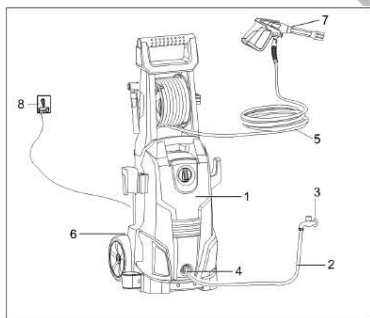
**ATTENZIONE!** Scollegare l'alimentazione elettrica prima di effettuare la manutenzione da parte dell'utente.

Se il cavo di alimentazione è danneggiato, deve essere sostituito dal produttore, dal suo agente di assistenza o da una persona qualificata in modo analogo per evitare un pericolo.

## Connessione

1. Collegare il tubo flessibile dell'alta pressione all'uscita dell'acqua in pressione della macchina.
2. Collegare l'impugnatura di spruzzo al tubo flessibile ad alta pressione. Prima di mettere in funzione la macchina, accertarsi che il tubo flessibile ad alta pressione sia completamente srotolato. Mentre la macchina è in funzione, il tubo non deve avvolgersi.
3. Montare l'ugello o qualsiasi altra attrezzatura che si desidera utilizzare.
4. Collegare la macchina all'acqua e all'alimentazione.

### Installazione, collegamenti elettrici e idrici



1. Idropulitrice
2. Tubo di alimentazione dell'acqua
3. Allacciamento all'acqua
4. Ingresso acqua
5. Tubo ad alta pressione
6. Uscita acqua
7. Pistola a spruzzo
8. Alimentazione

\* I numeri 2, 3 e 8 non sono inclusi.

## Prima dell'intervento

### Regolazione dell'andamento del ventilatore

L'angolo di spruzzo che esce dalla lancia può essere regolato su alcune lance ruotando l'ugello. In questo modo il getto varierà da un getto stretto ad alto impatto di circa 0° a un getto ampio a ventaglio di 60° (vedere Figura 2).

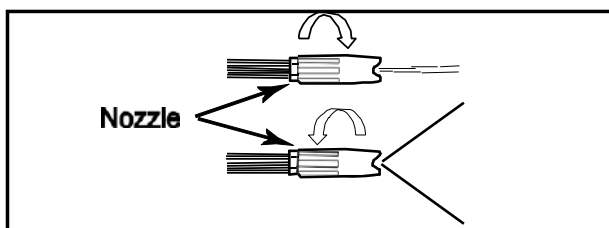
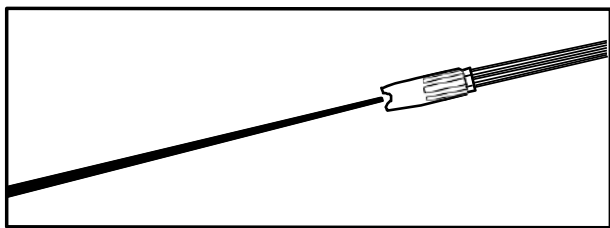


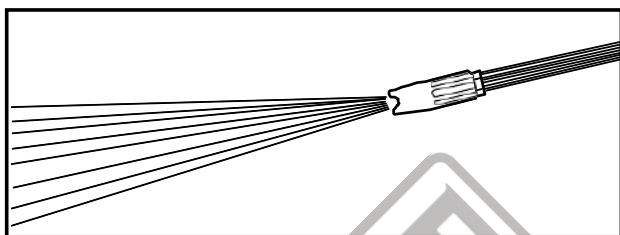
Figura 2 - Regolazione dell'ugello per l'andamento del ventaglio (non applicabile su alcuni ugelli)



**Figura 3 - Ruscello stretto ad alto impatto**

Un getto stretto ha un'elevata forza d'impatto sulla superficie da pulire e consente di ottenere la massima pulizia profonda in un'area concentrata. Tuttavia, questo getto stretto ad alto impatto deve essere usato con cautela, poiché può danneggiare alcune superfici.

Un ampio ventaglio distribuisce l'impatto dell'acqua su un'area più ampia, garantendo un'azione pulente eccellente con un rischio ridotto di danni alla superficie.

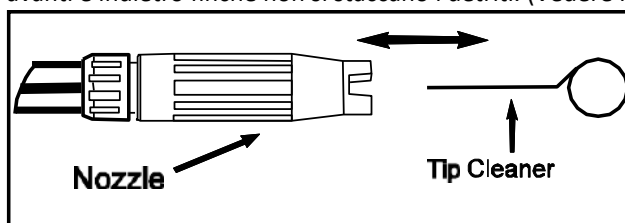


**Figura 4 - Ampio raggio di spruzzo**

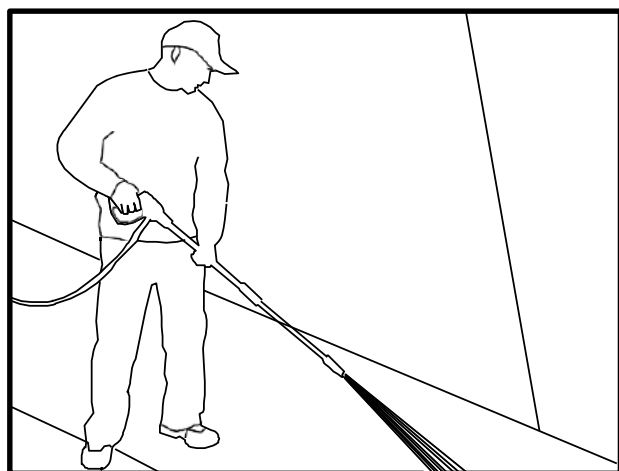
#### Istruzioni per la pulizia degli ugelli

Un ugello intasato o parzialmente intasato può causare una notevole riduzione dell'acqua in uscita dall'ugello e provocare pulsazioni dell'unità durante la spruzzatura. Per pulire l'ugello:

- Spegner e scollegare l'unità.
- Chiudere l'alimentazione dell'acqua. Scaricare la pressione intrappolata nel tubo premendo il grilletto 2-3 volte.
- Separare la lancia dalla pistola.
- Ruotare l'ugello sull'impostazione di flusso stretto. In questo modo si aprono le pale della ventola.
- Utilizzando il detergente per punte in dotazione o una graffetta non piegata, inserire il filo nel foro dell'ugello e muoverlo avanti e indietro finché non si staccano i detriti. (Vedere Figura 5).



**Figura 5 - Inserire il detergente per punte nel foro dell'ugello e muoverlo avanti e indietro fino a rimuovere i detriti.**



**Figura 6 - Angolo ottimale per la pulizia delle superfici**

Rimuovere i detriti aggiuntivi con un risciacquo dell'acqua attraverso l'ugello. A tal fine, posizionare l'estremità di un tubo da giardino (con l'acqua corrente) all'estremità dell'ugello per 30-60 secondi.

#### Angolo rispetto alla superficie di pulizia

Quando si spruzza l'acqua contro una superficie, l'impatto massimo si genera quando l'acqua colpisce la superficie "di testa".

Tuttavia, questo tipo di impatto tende a far sì che le particelle di sporco si depositino sulla superficie, impedendo così l'azione pulente desiderata.

L'angolo ottimale per spruzzare l'acqua contro una superficie da pulire è di 45 gradi.

Spruzzando l'acqua contro una superficie con questa angolazione si ottiene la forza d'urto più vantaggiosa e una rimozione efficace dei detriti dalla superficie.

### Distanza dalla superficie di pulizia

Un altro fattore che determina la forza d'impatto dell'acqua è la distanza tra l'ugello e la superficie da pulire. La forza d'impatto dell'acqua aumenta con l'avvicinarsi dell'ugello alla superficie.

### Come evitare di danneggiare le superfici

I danni alle superfici di pulizia si verificano perché la forza d'urto dell'acqua supera la resistenza della superficie. La forza d'impatto può essere variata controllando i tre elementi precedentemente indicati. Non utilizzare mai un getto stretto ad alto impatto o un ugello turbo/rotante su una superficie suscettibile di danni. Evitare di spruzzare le finestre con un getto stretto ad alto impatto o con un ugello turbo, perché potrebbe causare rotture. Il modo più sicuro per evitare di danneggiare le superfici è seguire questi passaggi:

1. Prima di azionare la pistola, regolare l'ugello su un ampio ventaglio.
2. Posizionare l'ugello a circa 4 metri e a 45 gradi dalla superficie da pulire e azionare la pistola.
3. Variare l'angolo di spruzzo del ventilatore e la distanza dalla superficie da pulire fino a raggiungere l'efficienza di pulizia ottimale senza danneggiare la superficie.

### Ugello turbo (non incluso in tutti i modelli)

Un ugello turbo, talvolta chiamato ugello rotante, è uno strumento molto efficace che può ridurre significativamente i tempi di pulizia. L'ugello turbo combina la potenza di un flusso stretto ad alto impatto con l'efficienza di un ventaglio a 25 gradi. In questo modo il flusso stretto ad alto impatto viene trasformato in un cono che pulisce un'area più ampia.

**ATTENZIONE:** Poiché l'ugello turbo utilizza un getto stretto ad alto impatto, utilizzarlo solo in applicazioni in cui la superficie di pulizia non può essere danneggiata da un getto stretto ad alto impatto. Inoltre, l'ugello turbo NON è regolabile e non può essere utilizzato per applicare detersivi.

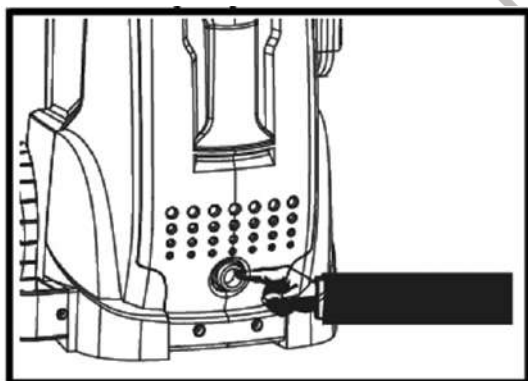


Figura 7

### Filtro di ingresso dell'acqua

Il filtro di ingresso dell'acqua deve essere ispezionato regolarmente, in modo da evitare ostruzioni e restrizioni nell'alimentazione dell'acqua della pompa (fig. 7).

### Detersivi

L'uso di detersivi può ridurre drasticamente i tempi di pulizia e aiutare a rimuovere le macchie più difficili. Alcuni detersivi sono stati personalizzati per l'uso dell'idropulitrice in operazioni di pulizia specifiche. Questi detersivi hanno una consistenza pari a quella dell'acqua. L'uso di detersivi più densi, come il sapone per piatti, intasa il sistema di iniezione chimica e impedisce l'applicazione del detersivo.

Il potere pulente dei detersivi deriva dall'applicazione su una superficie e dal fatto che le sostanze chimiche hanno il tempo di disgregare lo sporco e la sporcizia. I detersivi funzionano meglio se applicati a bassa pressione.

La combinazione di azione chimica e risciacquo ad alta pressione è molto efficace. Sulle superfici verticali, applicare il detersivo partendo dal basso verso l'alto. In questo modo si evita che il detersivo scivoli verso il basso e provochi striature. Anche il risciacquo ad alta pressione deve avvenire dal basso verso l'alto. Per le macchie particolarmente resistenti può essere necessario utilizzare una spazzola in combinazione con i detersivi e il risciacquo ad alta pressione.

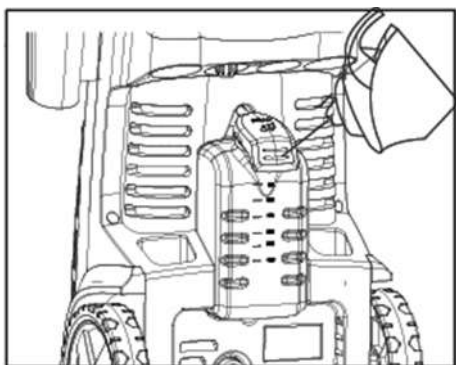


Figura 8

**Uso del detersivo**

Aggiungere il detersivo nel contenitore. Impostare l'ugello regolabile in posizione di bassa pressione. (Fig. 8)

Azionare la pistola per spruzzare il detersivo.

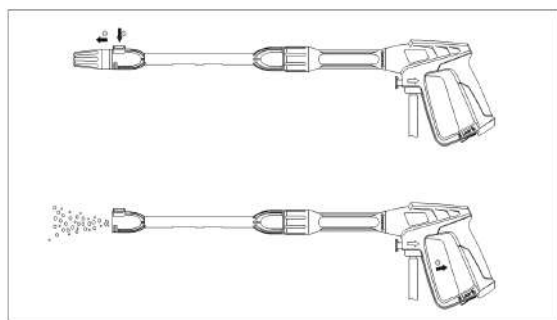


Figura 9

**Metodo di pulizia con schiuma**

Assicurarsi di inserire la soluzione detergente nell'aspiratore incorporato e rimuovere il puntale come illustrato nella figura 9.

## Operazione

La seguente procedura di pulizia vi aiuterà a organizzare il vostro lavoro di pulizia e a ottenere i risultati migliori nel minor tempo possibile.

Ricordate di utilizzare le tecniche di spruzzatura/pulizia precedentemente elencate.

**1. Preparazione della superficie**

Prima di iniziare un lavoro di pulizia a pressione, è importante preparare la superficie da pulire. A tal fine è necessario pulire l'area dai mobili e assicurarsi che tutte le finestre e le porte siano ben chiuse. Inoltre, è necessario assicurarsi che tutte le piante e gli alberi adiacenti all'area di pulizia siano protetti da un telo. In questo modo si eviterà che le piante vengano spruzzate dai detersivi.

**2. Risciacquo iniziale ad alta pressione**

La fase successiva consiste nello spruzzare la superficie di pulizia con acqua per eliminare lo sporco o la sporcizia che potrebbe essersi accumulata sulla superficie. In questo modo il detersivo potrà attaccare lo sporco profondo che si è formato sulla superficie da pulire. Prima di azionare la pistola, regolare l'ugello su un'ampia gittata a ventaglio e regolare lentamente la gittata desiderata. In questo modo si eviterà di applicare alla superficie uno spruzzo troppo concentrato che potrebbe causare danni.

**3. Risciacquo finale**

Iniziare il risciacquo finale dal fondo e procedere verso l'alto. Assicurarsi di risciacquare a fondo la superficie e di aver rimosso tutto il detersivo.

**4. Spegnimento**

1. Assicurarsi che tutto il detersivo sia stato eliminato dal sistema.

2. Spegnerne il motore.

3. Chiudere l'alimentazione dell'acqua.

4. Dopo aver spento il motore e l'alimentazione dell'acqua, azionare la pistola per depressurizzare il sistema.

**ATTENZIONE:** non chiudere MAI l'alimentazione dell'acqua prima di spegnere il motore. La pompa e il motore potrebbero subire gravi danni.

**ATTENZIONE!** Non scollegare MAI il tubo di scarico ad alta pressione dalla macchina mentre il sistema è pressurizzato.

Per depressurizzare, spegnere il motore, chiudere l'alimentazione dell'acqua e premere il grilletto della pistola 2- 3 volte.

5. Dopo ogni utilizzo, pulire tutte le superfici dell'idropulitrice con un panno pulito e umido.

**5. Immagazzinamento**

Non conservare l'idropulitrice all'aperto.

Non conservare l'idropulitrice in un luogo dove potrebbe congelare.



## Consigli per prolungare la vita della vostra idropulitrice

1. Non mettere mai in funzione l'unità senza acqua.
  2. L'idropulitrice non è destinata a pompare acqua calda. Non collegarla mai all'acqua calda per non ridurre significativamente la durata della pompa.
  3. L'uso di detergenti diversi da quelli di marca può danneggiare i componenti della pompa (O-ring, ecc.). Questo vale anche per prodotti chimici come candeggina, sapone per piatti, ecc.
  4. Non far funzionare l'unità per più di un (1) minuto senza spruzzare acqua. L'accumulo di calore che ne deriva danneggia la pompa.
  5. Prima di regolare la pressione dell'ugello (da alto a basso o da basso ad alto) rilasciare il grilletto.
- In caso contrario, la durata degli O-ring della lancia si riduce.

## Risoluzione dei problemi

Problema	Possibile causa	Risoluzione
L'idropulitrice non si avvia	<ol style="list-style-type: none"> <li>1. La pressione si è accumulata nell'unità</li> <li>2. La spina non è ben collegata o la presa elettrica è difettosa</li> <li>3. La prolunga è troppo lunga o le dimensioni del filo sono troppo ridotte.</li> <li>4. La tensione di alimentazione principale è troppo bassa</li> <li>5. La sicurezza termica è intervenuta</li> </ol>	<ol style="list-style-type: none"> <li>1. Premere il grilletto della pistola</li> <li>2. Controllare la spina, la presa e il fusibile</li> <li>3. Rimuovere la prolunga</li> <li>4. Verificare che la tensione di alimentazione sia adeguata</li> <li>5. Spegnerne l'unità e lasciare raffreddare il motore</li> </ol>
La pompa non raggiunge la pressione necessaria	<ol style="list-style-type: none"> <li>1. Il filtro di ingresso dell'acqua è intasato</li> <li>2. La pompa aspira aria dalle connessioni del tubo flessibile</li> <li>3. L'ugello è usurato o non è della misura corretta</li> <li>4. Lo scaricatore è intasato o usurato</li> <li>5. Le valvole sono intasate o usurate</li> </ol>	<ol style="list-style-type: none"> <li>1. Pulire il filtro di ingresso dell'acqua</li> <li>2. Controllare che i collegamenti e l'anello di bloccaggio siano ben serrati.</li> <li>3. Chiamare il rivenditore</li> <li>4. Chiamare il rivenditore</li> <li>4. Chiamare il rivenditore</li> </ol>
Pressione fluttuante	<ol style="list-style-type: none"> <li>1. La pompa aspira aria</li> <li>2. Ugello intasato</li> <li>3. Valvole sporche, usurate o bloccate</li> <li>4. Guarnizioni dell'acqua usurate</li> </ol>	<ol style="list-style-type: none"> <li>1. Controllare che i tubi e i collegamenti siano ben saldi</li> <li>2. Pulire con un detergente per punte</li> <li>3. Chiamare il rivenditore</li> <li>4. Chiamare il rivenditore</li> </ol>
Il motore si arresta improvvisamente	<ol style="list-style-type: none"> <li>1. La prolunga è troppo lunga o le dimensioni del filo sono troppo ridotte</li> <li>2. L'interruttore termico di sicurezza è intervenuto a causa del surriscaldamento</li> </ol>	<ol style="list-style-type: none"> <li>1. Rimuovere la prolunga</li> <li>2. Verificare che la tensione di alimentazione corrisponda alle specifiche del dispositivo.</li> </ol>





**ΠΡΟΣΟΧΗ:** Διαβάστε προσεκτικά το εγχειρίδιο οδηγιών χρήσης

## Εισαγωγή

Το πλυστικό BPW2200 είναι ένα εξαιρετικά εξειδικευμένο πολυλειτουργικό μηχάνημα κατασκευασμένο σύμφωνα με τα ευρωπαϊκά πρότυπα ασφαλείας. Το μηχάνημα θα πρέπει να επιθεωρείται πριν να χρησιμοποιηθεί για την πλύση και τον καθαρισμό αυτοκινήτων, μοτοσυκλετών καθώς και άλλων υπαίθριων ειδών κήπου, βεράντες κλπ.

### Πληροφορίες ασφάλειας και προειδοποιήσεις:

#### Αυτόματη ενεργοποίηση/απενεργοποίηση

Ο κινητήρας του πιεστικού δεν λειτουργεί συνεχώς. Ενεργοποιείται μόνο όταν πιέζεται η σκανδάλη του πιστολιού. Αφού ακολουθήσετε τις διαδικασίες εκκίνησης που αναγράφονται σε αυτό το εγχειρίδιο, θέστε σε λειτουργία το πλυστικό και πιέστε τη σκανδάλη για να το ενεργοποιήσετε. Για περισσότερες λεπτομέρειες, ανατρέξτε στην ενότητα "Οδηγίες λειτουργίας" αυτού του εγχειριδίου.

#### ⚠ WARNING

Η σύνδεση ηλεκτρικής παροχής πρέπει να πραγματοποιείται από ειδικευμένο τεχνικό και θα πρέπει να συμμορφώνεται με το πρότυπο IEC 60364-1. Η ηλεκτρική τροφοδοσία σε αυτό το μηχάνημα πρέπει να περιλαμβάνει είτε μια διάταξη υπολειμματικού ρεύματος που θα διακόψει την τροφοδοσία εάν το ρεύμα διαρροής της γείωσης υπερβεί τα 30 mA για 30 ms ή μια συσκευή που θα χρησιμοποιήσει το κύκλωμα γείωσης.

#### ⚠ WARNING

Η μέθοδος αντιμετώπισης του προβλήματος που πρέπει να ακολουθείται σε περίπτωση ατυχήματος (π.χ. επαφή με απορρυπαντικά: ξεπλύνετε με άφθονο καθαρό νερό) ή βλάβη για να αποφύγετε επικίνδυνες καταστάσεις.

#### ⚠ WARNING

Ο κινητήρας τίθεται σε λειτουργία μόνο όταν πιέζεται η σκανδάλη του πλυστικού.

## Οδηγίες ασφαλούς χρήσης

Αυτό το εγχειρίδιο περιέχει πληροφορίες που είναι πολύ σημαντικές να γνωρίζετε και να κατανοήσετε. Αυτές οι πληροφορίες παρέχονται για την ΑΣΦΑΛΕΙΑ και την ΠΡΟΛΗΨΗ ΠΡΟΒΛΗΜΑΤΩΝ του ΕΞΟΠΛΙΣΜΟΥ. Για να αναγνωρίσετε αυτές τις πληροφορίες, δώστε ιδιαίτερη προσοχή στα παρακάτω σύμβολα.

#### ⚠ DANGER

Το σύμβολο ("προσοχή κίνδυνος") αυτό υποδεικνύει μια επικίνδυνη κατάσταση η οποία, αν δεν αποφευχθεί, θα προκαλέσει θάνατο ή σοβαρό τραυματισμό.

#### ⚠ WARNING

Το σύμβολο αυτό ("προειδοποίηση") υποδεικνύει μια δυνητικά επικίνδυνη κατάσταση η οποία, εάν δεν αποφευχθεί, θα μπορούσε να οδηγήσει σε θάνατο ή σοβαρό τραυματισμό.

#### ⚠ CAUTION

Το σύμβολο αυτό ("Προσοχή") υποδεικνύει μια δυνητικά επικίνδυνη κατάσταση η οποία, αν δεν αποφευχθεί, ΜΠΟΡΕΙ ΝΑ επιφέρει ήπιο ή μέτριου βαθμού τραυματισμό.

#### NOTICE

Το σύμβολο αυτό ("ειδοποίηση") επισημαίνει πληροφορίες που απαιτούν ιδιαίτερη προσοχή.

## Σημαντικές συμβουλές ασφαλούς χρήσης



**Φυλάξτε το εγχειρίδιο σε ένα ασφαλές σημείο!**



Κατά την διάρκεια της χρήσης του μηχανήματος, θα πρέπει να λάβετε υπόψιν τις παρακάτω συμβουλές ασφαλείας:

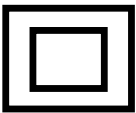
1. Διαβάστε όλες τις οδηγίες πριν χρησιμοποιήσετε το μηχάνημα.
2. Για να μειωθεί ο κίνδυνος τραυματισμού, απαιτείται στενή παρακολούθηση όταν χρησιμοποιείται ένα μηχάνημα κοντά στα παιδιά.
3. Πριν από την αποσυναρμολόγηση ή την επισκευή του μηχανήματος, αποσυνδέστε το πάντα από την παροχή ηλεκτρικού ρεύματος.
4. Ακολουθήστε όλους τους κανονισμούς ασφαλείας καθώς και τους κανονισμούς για την ασφάλεια και την υγεία κατά την εργασία (OSHA).
5. Βεβαιωθείτε ότι οι συσκευές ασφαλείας λειτουργούν σωστά πριν χρησιμοποιήσετε το μηχάνημα. ΜΗΝ αφαιρείτε ή τροποποιείτε οποιοδήποτε τμήμα του πιστολιού ή του μηχανήματος.
6. Μάθετε πώς μπορείτε να σταματήσετε αυτό το μηχάνημα και να εκτονώσετε την πίεση γρήγορα, σε περίπτωση έκτακτης ανάγκης. Εξοικειωθείτε με την λειτουργία των χειριστήριων.
7. Μείνετε σε επαγρύπνηση - παρακολουθήστε τι κάνετε.
8. Μην χρησιμοποιείτε το μηχάνημα όταν νιώθετε κόπωση ή βρίσκεστε υπό την επήρεια αλκοόλ ή ναρκωτικών.
9. Κρατήστε τους παρευρισκόμενους σε απόσταση ασφαλείας από το χώρο εργασίας.
10. Μην τεντώνετε πέραν των δυνατοτήτων σας για να φτάσετε σε δυσπρόσιτα σημεία και μην στέκεστε πάνω σε ασταθείς επιφάνειες. Διατηρείτε σταθερότητα και την ισορροπία σας καθ' όλη την διάρκεια εκτέλεσης της εργασίας.
11. Ακολουθήστε τις οδηγίες συντήρησης που αναγράφονται στο εγχειρίδιο.
12. Χρησιμοποιείτε το απορρυπαντικό που προτείνεται από τον κατασκευαστή.
13. Τοποθετήστε το μηχάνημα σε ένα σταθερό σημείο κατά τη χρήση, μεταφορά, συναρμολόγηση, αποσυναρμολόγηση του. Να είστε ιδιαίτερα προσεκτικοί κατά την μεταφορά του μηχανήματος.
14. Σε κάθε περίπτωση ατυχήματος παρακαλούμε πάντα να απενεργοποιείτε το μηχάνημα και να αποσυνδέετε το βύσμα από την πρίζα καθώς και το λάστιχο σύνδεσης με την παροχή του νερού.
15. Το μηχάνημα δεν προορίζεται για απευθείας σύνδεση με το δίκτυο πόσιμου νερού. Εάν είναι απαραίτητο, χρησιμοποιείτε μόνο σωλήνα εισόδου που έχει εγκριθεί σύμφωνα με το πρότυπο IEC 61770.
16. Κίνδυνος τραυματισμού λόγω υψηλής πίεσης. Διατηρήστε καθαρό από το ακροφύσιο. Μην κατευθύνετε τον πίδακα νερού σε άλλα άτομα. Αυτό το μηχάνημα πρέπει να χρησιμοποιείται μόνο από εκπαιδευμένους χειριστές. Πριν από τον καθαρισμό του ακροφυσίου, αποσυνδέστε πρώτα το πιστόλι από το μηχάνημα.
  - Διατηρήστε απόσταση ασφαλείας από το ακροφύσιο. ΠΟΤΕ μην κατευθύνετε τον πίδακα νερού σε οποιοδήποτε άλλο άτομο, ζώο ή τον εαυτό σας.
  - Να φοράτε πάντα γυαλιά ασφαλείας ή μάσκα και ρουχισμό ατομικής προστασίας κατά την λειτουργία ή τη συντήρηση του μηχανήματος.
  - Ποτέ μην τοποθετείτε ή περνάτε το χέρι ή τα δάχτυλα σας πάνω ή μπροστά από το ακροφύσιο ψεκασμού την στιγμή που το πλυστικό βρίσκεται σε λειτουργία.
  - Μην προσπαθήσετε ποτέ να σταματήσετε ή να εκτρέψετε τυχόν διαρροές με οποιοδήποτε μέρος του σώματος σας.
  - Χρησιμοποιήστε την ασφάλεια της σκανδάλης ακόμη και σε μικρά διαλείμματα.
  - Να ακολουθείτε πάντα τις ετικέτες του κατασκευαστή του απορρυπαντικού για σωστή χρήση των απορρυπαντικών. Να προστατεύετε πάντα τα μάτια, το δέρμα και το αναπνευστικό σας σύστημα κατά τη χρήση απορρυπαντικών.



### Συντήρηση μηχανημάτων με διπλή μόνωση

Τα μηχανήματα αυτού του τύπου διαθέτουν διπλή μόνωση αντί για γείωση. Δεν υπάρχουν μέσα γείωσης για μια διπλά μονωμένη μηχανή ούτε πρέπει να προστεθούν μέσα γείωσης στο μηχάνημα. Η συντήρηση μιας διπλής μόνωσης μηχανής απαιτεί μεγάλη προσοχή και γνώση του συστήματος και πρέπει να γίνεται μόνο από εξειδικευμένο προσωπικό.

Τα ανταλλακτικά για ένα μηχάνημα με διπλή μόνωση πρέπει να είναι ίδια με τα γνήσια ανταλλακτικά. Μια διπλά μονωμένη μηχανή επισημαίνεται με τις φράσεις "διπλή μόνωση" ή "διπλά μονωμένη συσκευή". Το μηχάνημα μπορεί επίσης να φέρει το σύμβολο που εμφανίζεται στα αριστερά αυτής της παραγράφου.



**ΠΡΟΕΙΔΟΠΟΙΗΣΗ!** Μην χρησιμοποιείτε πίεση που υπερβαίνει την πίεση λειτουργίας οποιουδήποτε εξαρτήματος (εύκαμπτοι σωλήνες, εξαρτήματα κλπ.) του εξοπλισμού. Βεβαιωθείτε ότι όλο το υλικό και τα εξαρτήματα έχουν τις προδιαγραφές ώστε να αντέχουν στη μέγιστη πίεση λειτουργίας του μηχανήματος.

**ΠΡΟΕΙΔΟΠΟΙΗΣΗ!** Κίνδυνος έκρηξης.

Ποτέ μην ψεκάζετε εύφλεκτα υγρά ή χρησιμοποιείτε το μηχάνημα σε περιοχές που περιέχουν εύφλεκτη σκόνη, υγρά ή υδρατμούς.

Μην χρησιμοποιείτε ποτέ το μηχάνημα σε κλειστούς χώρους ή χώρους με εύφλεκτη ατμόσφαιρά ή/και υλικά.

**ΠΡΟΕΙΔΟΠΟΙΗΣΗ!** Μην κατευθύνετε τον πίδακα νερού στα ηλεκτρικά εξαρτήματα και την καλωδίωση.

- Ποτέ μην αποσυνδέετε τον εύκαμπτο σωλήνα υψηλής πίεσης από το μηχάνημα, ενώ το σύστημα βρίσκεται υπό πίεση. Για να αποσυμπιεστείτε το μηχάνημα και να εκτονώσετε την πίεση, απενεργοποιήστε το μηχάνημα, και αποσυνδέστε το από την παροχή ηλεκτρικού ρεύματος και την παροχή νερού και, στη συνέχεια, πιέστε τη σκανδάλη 2 ~ 3 φορές.
- Ποτέ μην κρατάτε πατημένη μόνιμα την σκανδάλη του πιστολιού ή με οποιοδήποτε τρόπο θέτετε το μηχάνημα σε συνεχή λειτουργία.

- Μην χρησιμοποιείτε ποτέ το μηχάνημα χωρίς να βρίσκονται όλα τα εξαρτήματα συνδεδεμένα σωστά με το μηχάνημα (λαβή, πιστόλι, ακροφύσιο κλπ.).

**ΠΡΟΕΙΔΟΠΟΙΗΣΗ! Κίνδυνος βλάβης του εξοπλισμού!**

- Πάντοτε ανοίγετε την παροχή νερού πρώτα προτού ενεργοποιήσετε το μηχάνημα. Η λειτουργία της αντλίας με απουσία νερού μπορεί να προκαλέσει σοβαρή βλάβη.

- Μην χρησιμοποιείτε το πλυστικό χωρίς να είναι τοποθετημένα τα εξαρτήματα ελέγχου και οι συσκευές προστασίας. Κρατήστε όλα τα εξαρτήματα και τις συσκευές ελέγχου σε καθαρή κατάσταση.

- Ποτέ μη χρησιμοποιείτε το πλυστικό ενώ φέρει σπασμένα ή ελλιπή τμήματα. Ελέγχετε τακτικά τον εξοπλισμό και επισκευάστε ή αντικαταστήστε αμέσως τα φθαρμένα ή κατεστραμμένα μέρη.

- Χρησιμοποιείτε μόνο το παρεχόμενο ακροφύσιο με αυτό το μηχάνημα.

- Ποτέ μην αφήνετε το πιστόλι του πλυστικού χωρίς επιτήρηση όταν λειτουργεί το μηχάνημα.

- Μην επιχειρήσετε ποτέ να αλλάξετε τις εργοστασιακές ρυθμίσεις.

Η αλλαγή των εργοστασιακών ρυθμίσεων μπορεί να προκαλέσει βλάβη στο μηχάνημα με συνέπεια να ακυρωθεί η εγγύηση.

- Πάντα να κρατάτε σταθερά το όπλο και την κάνη κατά την εκκίνηση και τη λειτουργία του μηχανήματος.

- Μην επιτρέπετε ποτέ στο μηχάνημα να λειτουργεί με κλειστή την σκανδάλη για περισσότερο από ένα (1) λεπτό. Η αύξηση της θερμότητας θα προκαλέσει βλάβη στην αντλία.

- Το πλυστικό δεν πρέπει να αντλεί ζεστό νερό. ΠΟΤΕ μην τη συνδέετε το μηχάνημα με μια παροχή ζεστού νερού, καθώς θα μειώσει σημαντικά τη διάρκεια ζωής της αντλίας.

- Ποτέ μην αποθηκεύετε το μηχάνημα σε εξωτερικούς χώρους ή σε χώρους όπου υπάρχει η πιθανότητα να παγώσει. Η αντλία θα υποστεί σοβαρή βλάβη.

- Απελευθερώστε τη σκανδάλη όταν αλλάζετε την ρύθμιση της πίεσης από υψηλή σε χαμηλή. Σε αντίθετη περίπτωση, μπορεί να προκληθεί βλάβη.

- Να είστε έτοιμοι για την ανάκρουση που προκαλείται από τον πίδακα νερού που δημιουργείται κατά την ενεργοποίηση του μηχανήματος.

**ΠΡΟΣΟΧΗ:** Προστατεύστε τον εύκαμπτο σωλήνα από τα αιχμηρά αντικείμενα. Οι εύκαμπτοι σωλήνες εάν σκάσουν ενδέχεται να προκαλέσουν τραυματισμό. Ελέγχετε τακτικά τον εύκαμπτο σωλήνα και αντικαταστήστε τον αν έχει υποστεί κάποια βλάβη.

Μην επιχειρήσετε να επισκευάσετε τον εύκαμπτο σωλήνα.

### Καλώδια προέκτασης

Δεν συνιστάται η χρήση καλωδίου προέκτασης. Χρησιμοποιείτε μόνο καλώδια προέκτασης που προορίζονται για εξωτερική χρήση και φέρουν την ανάλογη σήμανση. Αποθηκεύστε τα σε εσωτερικούς χώρους όταν δεν τα χρησιμοποιείτε.

Χρησιμοποιείτε μόνο καλώδια προέκτασης που έχουν τα κατάλληλα χαρακτηριστικά για την λειτουργία του μηχανήματος.

Μην χρησιμοποιείτε φθαρμένα καλώδια προέκτασης. Ελέγξτε το καλώδιο προέκτασης πριν το χρησιμοποιήσετε και αντικαταστήστε το εάν έχει υποστεί κάποια βλάβη. Διατηρήστε το καλώδιο προέκτασης σε καλή κατάσταση. Μην τραβάτε το καλώδιο για την αποσύνδεση του από την πρίζα. Κρατήστε το καλώδιο μακριά από πηγές θερμότητας και αιχμηρές άκρες.

Πριν αποσυνδέσετε το μηχάνημα από το καλώδιο προέκτασης, αποσυνδέστε πάντα το καλώδιο από την πρίζα.

### **⚠ DANGER**



Εάν δεν ακολουθήσετε αυτές τις οδηγίες, μπορεί να προκληθεί σοβαρός τραυματισμός, ακόμη και θάνατος.

### **⚠ WARNING**

Για να μειώσετε τον κίνδυνο ηλεκτροπληξίας, κρατήστε όλες τις συνδέσεις στεγνές και ψηλά από το έδαφος. Μην αγγίζετε το βύσμα με βρεγμένα χέρια.

Τα μηχανήματα αυτού του τύπου δεν πρέπει να χρησιμοποιούνται από τα παιδιά. Τα παιδιά θα πρέπει να επιβλέπονται για να βεβαιωθείτε ότι δεν παίζουν με το μηχάνημα.

Αυτό το μηχάνημα δεν προορίζεται για χρήση από άτομα (συμπεριλαμβανομένων των παιδιών) με μειωμένες σωματικές, αισθητηριακές ή διανοητικές ικανότητες ή έλλειψη εμπειρίας και γνώσης.

**ΠΡΟΕΙΔΟΠΟΙΗΣΗ!** Αυτό το μηχάνημα έχει σχεδιαστεί για χρήση με το καθαριστικό που συνιστάται από τον κατασκευαστή. Η χρήση άλλων καθαριστικών ή χημικών ουσιών μπορεί να επηρεάσει δυσμενώς την ασφάλεια του μηχανήματος.

**ΠΡΟΕΙΔΟΠΟΙΗΣΗ!** Οι πίδακες υψηλής πίεσης μπορεί να είναι επικίνδυνοι εάν δεν χρησιμοποιούνται σωστά. Ο πίδακας δεν πρέπει να κατευθύνεται σε πρόσωπα, σε ηλεκτρολογικό εξοπλισμό ή στο ίδιο μηχάνημα.

**ΠΡΟΕΙΔΟΠΟΙΗΣΗ!** Συστήστε τον χειριστή να φορέσει ακουστικά προστασίας ή ωτοασπίδες.

**ΠΡΟΕΙΔΟΠΟΙΗΣΗ!** Μην χρησιμοποιείτε το μηχάνημα όταν βρίσκονται άλλα άτομα εντός της εμβέλειας ψεκασμού του εκτός αν είναι ντυμένα με προστατευτικό ρουχισμό.

**ΠΡΟΕΙΔΟΠΟΙΗΣΗ!** Μην κατευθύνετε τον πίδακα προς το μέρος σας ή προς άλλα άτομα με σκοπό να καθαρίσετε τα ρούχα ή τα παπούτσια σας.

**ΠΡΟΕΙΔΟΠΟΙΗΣΗ!** Κίνδυνος έκρηξης - Μην ψεκάζετε εύφλεκτα υγρά.

**ΠΡΟΕΙΔΟΠΟΙΗΣΗ!** Τα καθαριστικά υψηλής πίεσης δεν πρέπει να χρησιμοποιούνται από παιδιά ή μη εκπαιδευμένο προσωπικό.

**ΠΡΟΕΙΔΟΠΟΙΗΣΗ!** Οι εύκαμπτοι σωλήνες υψηλής πίεσης, τα εξαρτήματα και οι σύνδεσμοι είναι σημαντικοί για την ασφάλεια του μηχανήματος. Χρησιμοποιείτε μόνο τους σωλήνες, τα εξαρτήματα και τους συνδέσμους που συνιστώνται από τον κατασκευαστή.

**ΠΡΟΕΙΔΟΠΟΙΗΣΗ!** Για να εξασφαλίσετε την ασφάλειά και σωστή λειτουργία του μηχανήματός σας, χρησιμοποιήστε μόνο τα αυθεντικά ανταλλακτικά που συνιστώνται από τον κατασκευαστή.

**ΠΡΟΕΙΔΟΠΟΙΗΣΗ!** Το νερό που έχει γυρίσει πίσω μέσω των βαλβίδων ανάστροφης ροής θεωρείται ως μη πόσιμο.

**ΠΡΟΕΙΔΟΠΟΙΗΣΗ!** Το μηχάνημα πρέπει να αποσυνδεθεί από την πηγή ρεύματος, αφαιρώντας το φως από την πρίζα προτού ξεκινήσετε τις διαδικασίες καθαρισμού, συντήρησης και κατά αλλαγή του μηχανήματος σε κάποια άλλη λειτουργία.

**ΠΡΟΕΙΔΟΠΟΙΗΣΗ!** Μην χρησιμοποιείτε το μηχάνημα εάν έχει φθαρμένο καλώδιο τροφοδοσίας ή εκτεταμένη φθορά σε σημαντικά εξαρτήματα, π.χ. συσκευές και μηχανισμοί ασφαλείας, εύκαμπτοι σωλήνες υψηλής πίεσης, πιστόλι /κάνη κτλ.

**ΠΡΟΕΙΔΟΠΟΙΗΣΗ!** Εάν χρησιμοποιείται καλώδιο προέκτασης, το φως και η πρίζα πρέπει να είναι στεγανής κατασκευής.

**ΠΡΟΕΙΔΟΠΟΙΗΣΗ!** Τα καλώδια προέκτασης που δεν έχουν τις απαραίτητες προδιαγραφές μπορεί να είναι επικίνδυνα. Εάν χρησιμοποιείτε κάποιο καλώδιο προέκτασης, πρέπει να είναι κατάλληλο για εξωτερική χρήση και το σημείο σύνδεσης πρέπει να διατηρείται στεγνό και εκτός του εδάφους. Συνιστάται αυτό να επιτυγχάνεται μέσω μιας ανέμης καλωδίου που διατηρεί το φως τουλάχιστον 60 mm πάνω από το έδαφος.

**ΠΡΟΕΙΔΟΠΟΙΗΣΗ!** Προκειμένου να αποφευχθεί ο κίνδυνος λόγω ακούσιας επαναφοράς της θερμικής διακοπής, αυτή η συσκευή δεν πρέπει να τροφοδοτείται μέσω εξωτερικής συσκευής, όπως είναι οι χρονοδιακόπτες, ή να συνδέεται σε οποιοδήποτε άλλο κύκλωμα που ενεργοποιείται και απενεργοποιείται τακτικά από το βοηθητικό πρόγραμμα.

**ΠΡΟΕΙΔΟΠΟΙΗΣΗ!** Το μηχάνημα είναι σχεδιασμένο για να λειτουργεί σε θερμοκρασία μεγαλύτερη από 0 βαθμούς κελσίου (Μόνο για μηχανήματα με καλώδιο τροφοδοσίας H05VV-F).

**ΠΡΟΕΙΔΟΠΟΙΗΣΗ!** Για να διασφαλίσετε την διατήρηση της ασφαλούς λειτουργίας του μηχανήματος, χρησιμοποιήστε μόνο τα αυθεντικά ανταλλακτικά (συμπεριλαμβανομένου του ακροφυσίου) που συνιστώνται από τον κατασκευαστή. Μην χρησιμοποιείτε το μηχάνημα προτού αντικαταστήσετε τα εξαρτήματα που έχουν υποστεί βλάβη.

**ΠΡΟΕΙΔΟΠΟΙΗΣΗ!** Να είστε έτοιμοι για την ανάκρουση που προκαλείται από τον πίδακα νερού που δημιουργείται κατά την ενεργοποίηση του μηχανήματος. Κρατήστε καλά το πιστόλι από την χειρολαβή καθώς πιέζετε την σκανδάλη.

**ΠΡΟΕΙΔΟΠΟΙΗΣΗ!** Το μηχάνημα πρέπει να βρίσκεται σε όρθια θέση κατά την διάρκεια λειτουργίας του. Για να μετακινήσετε το μηχάνημα, χρησιμοποιήστε την χειρολαβή.

**ΠΡΟΕΙΔΟΠΟΙΗΣΗ!** Σύνδεση με την παροχή.

Συνδέστε το μηχάνημα στην παροχή νερού.

Βεβαιωθείτε ότι η πίεση νερού εισόδου διατηρείται μεταξύ 0,01MPa και 0,4MPa.

Ο σωλήνας εισαγωγής πρέπει να έχει μήκος τουλάχιστον 5 M. Μην χρησιμοποιείτε το σωλήνα σε περίπτωση που έχει υποστεί κάποια βλάβη.



### **⚠️ WARNING**

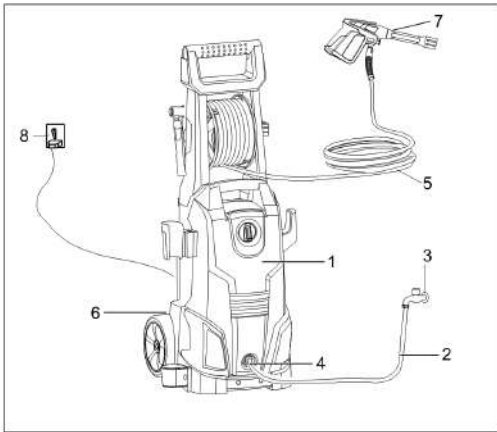
**Το μηχάνημα δεν πρέπει να συνδέεται απευθείας στο δίκτυο πόσιμου νερού.**

**ΠΡΟΕΙΔΟΠΟΙΗΣΗ!** Αποσυνδέστε το μηχάνημα από την παροχή ηλεκτρικού ρεύματος πριν από την εργασία συντήρησης. Εάν το καλώδιο τροφοδοσίας έχει υποστεί κάποια βλάβη, πρέπει να αντικατασταθεί από έναν τεχνικό του εξουσιοδοτημένου τμήματος Service.

## Συναρμολόγηση και αρχικές συνδέσεις

1. Συνδέστε τον εύκαμπτο σωλήνα υψηλής πίεσης στην έξοδο νερού του μηχανήματος.
2. Συνδέστε τη λαβή ψεκασμού στον εύκαμπτο σωλήνα υψηλής πίεσης. Πριν από τη λειτουργία του μηχανήματος, βεβαιωθείτε ότι ο εύκαμπτος σωλήνας υψηλής πίεσης έχει ξετυλιχθεί εντελώς. Κατά την διάρκεια λειτουργίας του μηχανήματος, ο λαστιχένιος σωλήνας δεν θα πρέπει να διπλωθεί ή να δεθεί.
3. Τοποθετήστε το ακροφύσιο ή οποιοδήποτε άλλο αξεσουάρ πρόκειται να χρησιμοποιήσετε.
4. Συνδέστε το μηχάνημα στις παροχές νερού και ηλεκτρικού ρεύματος.

### Συνδέσεις και περιγραφή βασικών τμημάτων



Σχήμα 1.

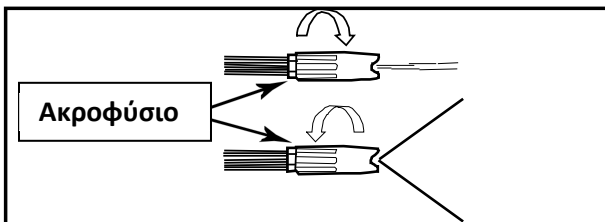
1. Πλυστικό μηχάνημα
2. Λάστιχο παροχής νερού
3. Παροχή νερού
4. Είσοδος νερού
5. Λάστιχο υψηλής πίεσης
6. Έξοδος νερού
7. Πιστόλι
8. Παροχή ηλεκτρικού ρεύματος

\* Τα No. 2, 3, 8 δεν περιλαμβάνονται μαζί με το μηχάνημα.

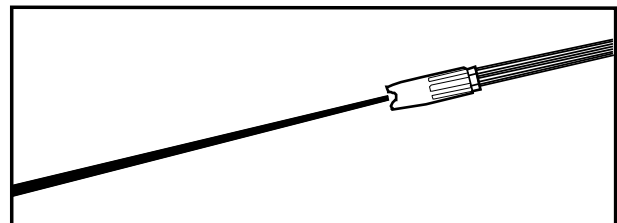
## Αρχικές ρυθμίσεις και ενέργειες

### Ρύθμιση του είδους ψεκασμού

Η γωνία ψεκασμού μπορεί να ρυθμιστεί σε ορισμένες κάνες περιστρέφοντας το ακροφύσιο. Αυτό θα μεταβάλλει τον τύπο του ψεκασμού ξεκινώντας από μια μικρής διαμέτρου δέσμη υψηλής πίεσης σε μια μεγάλη πλατύς δέσμη ψεκασμού χαμηλής πίεσης (βλέπε σχήμα 2).



Σχήμα 2.

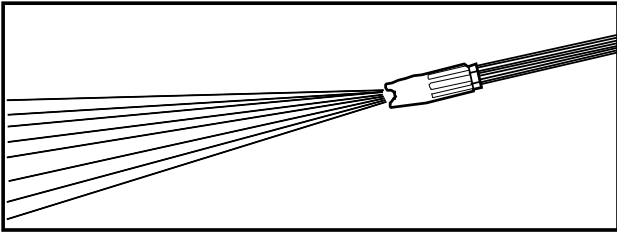


Σχήμα 3.

Η μικρής διαμέτρου δέσμη νερού έχει μεγάλη δύναμη κατά την επαφή της με την επιφάνεια καθαρισμού και έχει ως αποτέλεσμα τον βαθύ καθαρισμό σε μια συγκεντρωμένη περιοχή. Ωστόσο, αυτή η ρύθμιση ψεκασμού πρέπει να χρησιμοποιείται με προσοχή, καθώς ενδέχεται να προκαλέσει βλάβη σε ορισμένες επιφάνειες.



Η δέσμη μεγάλου πλάτους θα κατανέμει το νερό σε μια μεγαλύτερη επιφάνεια με μειωμένο κίνδυνο. Οι μεγάλες επιφάνειες μπορούν να καθαριστούν γρηγορότερα χρησιμοποιώντας αυτή την ρύθμιση.

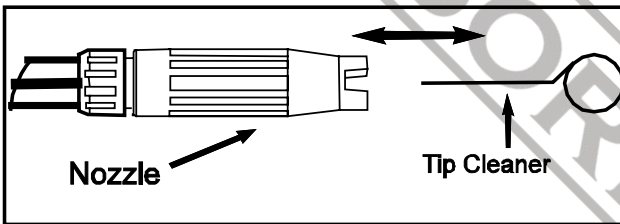


**Σχήμα 4.**

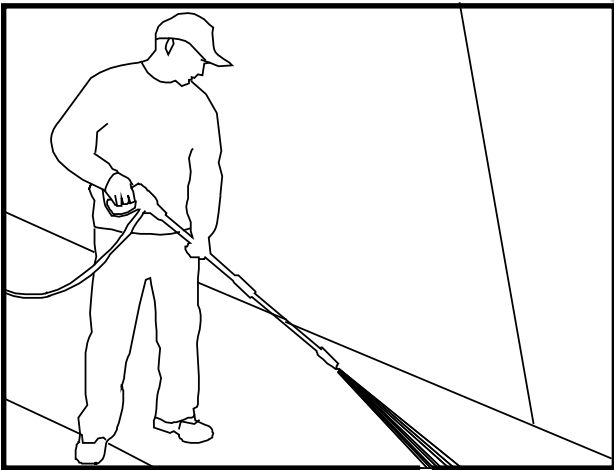
#### **Οδηγίες καθαρισμού των ακροφυσίων**

Ένα βουλωμένο ή μερικώς φραγμένο ακροφύσιο μπορεί να προκαλέσει σημαντική μείωση του νερού που βγαίνει από το ακροφύσιο και να προκαλέσει κραδασμούς στο μηχάνημα κατά τον ψεκάσμο. Για να καθαρίσετε το ακροφύσιο:

- Απενεργοποιήστε και αποσυνδέστε το μηχάνημα.
- Κλείστε την παροχή νερού. Αφαιρέστε οποιαδήποτε πίεση παγιδευμένη στον εύκαμπτο σωλήνα πιέζοντας 2-3 φορές την σκανδάλη του πιστολιού.
- Ξεχωρίστε την κάνη από το πιστόλι.
- Περιστρέψτε το ακροφύσιο στη ρύθμιση μικρής δέσμης.
- Χρησιμοποιήστε την βελόνα καθαρισμού ή ένα ξετυλιγμένο συνδετήρα χαρτιού, τοποθετώντας τη μέσα στην οπή του ακροφυσίου και μετακινήστε την εμπρός και πίσω μέχρι να απομακρυνθούν τα υπολείμματα (Βλέπε Σχήμα 5.).



**Σχήμα 5.**



Αφαιρέστε τα υπολείμματα εισάγοντας νερό με την αντίθετη κατεύθυνση μέσω του ακροφυσίου. Για να γίνει αυτό, τοποθετήστε το άκρο ενός λάστιχου κήπου (με τρεχούμενο νερό) στο άκρο του ακροφυσίου για 30-60 δευτερόλεπτα.

#### **Γωνία ψεκάσμου στην επιφάνεια καθαρισμού**

Όταν ψεκάζετε νερό σε μια επιφάνεια, η μέγιστη δύναμη εφαρμόζεται όταν το νερό χτυπά στην επιφάνεια κάθετα. Εντούτοις, αυτός η γωνία τείνει να προκαλέσει την εμφύτευση σωματιδίων ρύπων στην επιφάνεια, εμποδίζοντας έτσι την επιθυμητή δράση καθαρισμού.

Τα βέλτιστα αποτελέσματα επιτυγχάνονται υπό γωνία 45°.

**Σχήμα 6.**

Ο ψεκάσμος νερού μιας επιφάνειας υπό αυτή τη γωνία προσφέρει το καλύτερο αποτέλεσμα απομάκρυνσης των ρύπων από την επιφάνεια καθαρισμού.

#### **Απόσταση από την επιφάνεια καθαρισμού**

Ένας άλλος παράγοντας που καθορίζει τη δύναμη πρόσκρουσης του νερού είναι η απόσταση μεταξύ του ακροφυσίου ψεκάσμου και της επιφάνειας καθαρισμού. Η δύναμη πρόσκρουσης του νερού αυξάνεται καθώς το ακροφύσιο πλησιάζει στην επιφάνεια.

#### **Πώς να αποφύγετε την πρόκληση φθοράς στις επιφάνειες καθαρισμού**

Η φθορά στις επιφάνειες καθαρισμού συμβαίνει επειδή η δύναμη πρόσκρουσης του νερού υπερβαίνει τα όρια αντοχής της επιφάνειας. Η δύναμη κρούσης μπορεί να ρυθμιστεί μέσω των τριών προαναφερθέντων ενεργειών. Ποτέ μην χρησιμοποιείτε ένα μια δέσμη μικρής διαμέτρου ή ένα turbo / περιστροφικό ακροφύσιο σε μια ευαίσθητη επιφάνεια.

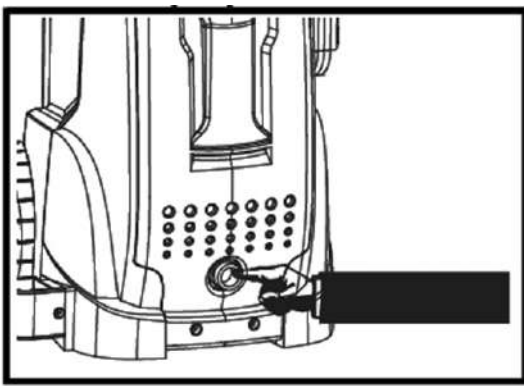
Αποφύγετε να ψεκάσετε τα παράθυρα με ρυθμίσεις υψηλής πίεσης, καθώς αυτό μπορεί να έχει ως αποτέλεσμα την θραύση τους. Για την αποφυγή πρόκλησης φθοράς στις επιφάνειες ακολουθήστε τα παρακάτω βήματα:

1. Πριν ενεργοποιήσετε το πιστόλι, ρυθμίστε το ακροφύσιο για ψεκασμό με μεγάλου πλάτους δέσμη.
2. Τοποθετήστε το ακροφύσιο περίπου 120 – 150 cm μακριά και υπό 45° από την επιφάνεια καθαρισμού και πιέστε την σκανδάλη.
3. Αλλάξτε τον τύπο ψεκασμού και την απόσταση από την επιφάνεια καθαρισμού μέχρι να επιτευχθεί βέλτιστη απόδοση καθαρισμού χωρίς να φθείρεται η επιφάνεια.

#### Ακροφύσιο Turbo (δεν περιλαμβάνεται σε όλα τα μοντέλα)

Ένα ακροφύσιο turbo, μερικές φορές αναφέρεται ως περιστρεφόμενο ακροφύσιο, είναι ένα πολύ αποτελεσματικό εξάρτημα που μπορεί να μειώσει σημαντικά τον χρόνο καθαρισμού. Το ακροφύσιο αυτό συνδυάζει την ισχύ μιας μικρής διαμέτρου και υψηλής πίεσης δέσμης και την αποτελεσματικότητα μιας δέσμης 25 μοιρών. Το ακροφύσιο αυτού του τύπου δημιουργεί έναν κώνο υψηλής πίεσης αυξάνοντας την καλυπτικότητα.

**ΠΡΟΣΟΧΗ:** Επειδή ένα ακροφύσιο turbo δημιουργεί δέσμη νερού υψηλής πίεσης θα πρέπει να χρησιμοποιείται μόνο σε εφαρμογές όπου η επιφάνεια καθαρισμού δεν μπορεί να υποστεί βλάβη λόγω της υψηλής πίεσης του νερού. Επιπλέον, το ακροφύσιο turbo ΔΕΝ ρυθμίζεται και δεν μπορεί να χρησιμοποιηθεί για την εφαρμογή απορρυπαντικού.



Σχήμα 7

#### Φίλτρο εισόδου νερού

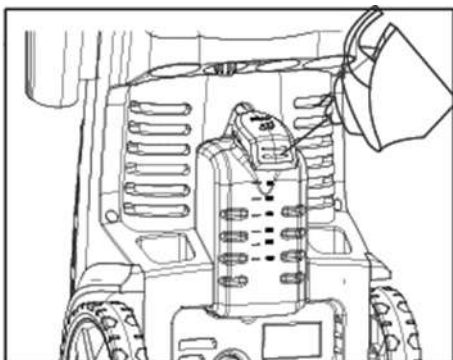
Το φίλτρο εισόδου νερού πρέπει να επιθεωρείται τακτικά, ώστε να αποφεύγεται η απόφραξη και ο περιορισμός της παροχής νερού στην αντλία (σχήμα 7).

#### Απορρυπαντικά

Η χρήση απορρυπαντικών μπορεί να μειώσει σημαντικά το χρόνο καθαρισμού και να βοηθήσει στην απομάκρυνση δύσκολων λεκέδων. Ορισμένα απορρυπαντικά είναι σχεδιασμένα για χρήση με πλυστικά μηχανήματα και την εκτέλεση συγκεκριμένων εργασιών καθαρισμού. Το ιξώδες αυτών των απορρυπαντικών είναι ίσο με αυτό του νερού. Η χρήση πιο παχύρευστων απορρυπαντικών, όπως είναι το υγρό σαπούνι πιάτων, θα φράξει το σύστημα έγχυσης και θα εμποδίσει την εφαρμογή του απορρυπαντικού.

Η ικανότητα καθαρισμού των απορρυπαντικών μπορεί να ελεγχθεί εφαρμόζοντάς τα σε μια επιφάνεια καθαρισμού και περιμένοντας για ένα συγκεκριμένο χρονικό διάστημα να διασπάσουν τους ρύπους. Τα απορρυπαντικά λειτουργούν καλύτερα όταν εφαρμόζονται σε χαμηλή πίεση.

Ο συνδυασμός της χημικής δράσης και της έκπλυσης υψηλής πίεσης είναι πολύ αποτελεσματικός. Σε κάθετες επιφάνειες, εφαρμόστε το απορρυπαντικό ξεκινώντας από το κάτω μέρος και εργάζεστε προς τα πάνω. Αυτό θα εμποδίσει το απορρυπαντικό να κυλήσει προς τα κάτω και να προκαλέσει ραβδώσεις. Το ξέπλυμα υψηλής πίεσης πρέπει επίσης να πραγματοποιηθεί από κάτω προς τα πάνω. Σε ιδιαίτερα επίμονους λεκέδες, μπορεί να χρειαστεί να χρησιμοποιήσετε μια βούρτσα σε συνδυασμό με απορρυπαντικά και εκπλύσεις υψηλής πίεσης.



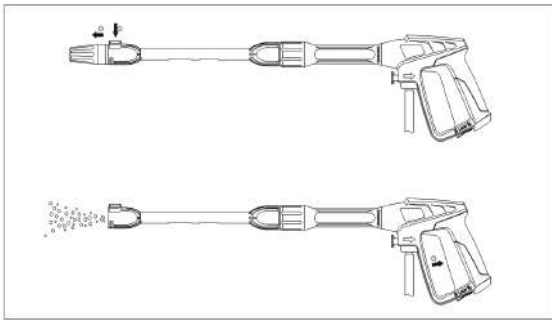
Σχήμα 8

#### Χρήση απορρυπαντικού

Προσθέστε το απορρυπαντικό στο δοχείο. Ρυθμίστε το πιστόλι στη θέση χαμηλής πίεσης. (Σχήμα 8)

Πιέστε τη σκανδάλη για να ψεκάσετε.





Σχήμα 9

### Μέθοδος καθαρισμού με αφρό

Βεβαιωθείτε ότι έχετε τοποθετήσει το διάλυμα καθαρισμού στο ενσωματωμένο δοχείο αναρρόφησης και αφαιρέστε το άκρο όπως φαίνεται στο σχήμα 9.

## Περιγραφή βασικής λειτουργίας

Η ακόλουθη διαδικασία καθαρισμού θα σας βοηθήσει να οργανώσετε την εργασία καθαρισμού σας και να διασφαλίσετε ότι θα έχετε τα καλύτερα αποτελέσματα στο συντομότερο δυνατό χρονικό διάστημα.

Θυμηθείτε να χρησιμοποιήσετε τις τεχνικές ψεκασμού / καθαρισμού που αναφέρονται προηγουμένως.

### 1. Προετοιμασία της επιφάνειας

Πριν ξεκινήσετε μια εργασία καθαρισμού πλυσίματος υπό πίεση, είναι σημαντικό να προετοιμάσετε την επιφάνεια που πρόκειται να καθαριστεί. Αυτό γίνεται με την διευθέτηση του χώρου, των επίπλων και εξασφαλίζοντας ότι όλα τα παράθυρα και οι πόρτες είναι κλειστά. Επιπλέον, πρέπει να βεβαιωθείτε ότι όλα τα φυτά και τα δέντρα που βρίσκονται κοντά στην περιοχή καθαρισμού προστατεύονται από ένα κάλυμμα. Αυτό θα διασφαλίσει ότι τα φυτά σας δεν θα ψεκαστούν με απορρυπαντικό.

### 2. Αρχικό ξέβγαλμα υψηλής πίεσης

Το επόμενο βήμα είναι να ψεκάσετε την επιφάνεια καθαρισμού με νερό για να απομακρύνετε τυχόν ακαθαρσίες ή ρύπους που μπορεί να έχουν επικοληθεί στην επιφάνεια. Αυτό θα επιτρέψει στο απορρυπαντικό σας να επιτεθεί στους επίμονους ρύπους που βρίσκονται στην επιφάνεια καθαρισμού. Πριν πιέσετε την σκανδάλη, ρυθμίστε το ακροφύσιο σε δέσμη μεγάλου πλάτους και ρυθμίστε αργά στην επιθυμητή ρύθμιση ψεκασμού. Αυτό θα σας βοηθήσει να αποφύγετε τον ψεκασμό υψηλής πίεσης στην επιφάνεια, η οποία μπορεί να προκαλέσει φθορά.

### 3. Τελικό ξέβγαλμα

Ξεκινήστε το τελικό ξέβγαλμα από κάτω προς τα πάνω. Βεβαιωθείτε ότι ξεπλύνετε προσεκτικά την επιφάνεια και ότι έχει αφαιρεθεί όλο το απορρυπαντικό.

### 4. Απενεργοποίηση και αποσύνδεση

1. Βεβαιωθείτε ότι όλη η ποσότητα απορρυπαντικού έχει απομακρυνθεί από το σύστημα και τα τμήματα του εξοπλισμού.
2. Απενεργοποιήστε το μοτέρ.
3. Διακόψτε την παροχή νερού.
4. Αφού απενεργοποιήσετε τον κινητήρα και διακόψετε την παροχή νερού, πιέστε την σκανδάλη του πιστολιού για να αποσυμπιεστεί το σύστημα.

**ΠΡΟΣΟΧΗ: ΠΟΤΕ** μην διακόπτετε την παροχή νερού προτού απενεργοποιήσετε τον κινητήρα. Μπορεί να προκληθεί σοβαρή βλάβη στην αντλία και / ή στον κινητήρα.

**ΠΡΟΕΙΔΟΠΟΙΗΣΗ!** Ποτέ μην αποσυνδέετε το λάστιχο υψηλής πίεσης από το μηχάνημα, ενώ το σύστημα βρίσκεται υπό πίεση. Για να αποσυμπιέσετε το σύστημα, απενεργοποιήστε τον κινητήρα, διακόψτε την παροχή νερού και πιέστε την σκανδάλη του πιστολιού 2-3 φορές.

5. Μετά από κάθε χρήση, σκουπίστε όλες τις επιφάνειες του μηχανήματος με ένα καθαρό, νοτισμένο πανί.

### 5. Αποθήκευση

Μην αποθηκεύετε το πλυστικό μηχάνημα σε εξωτερικούς χώρους.

Μην αποθηκεύετε τον πλυστικό μηχανήμα σε χώρους όπου μπορεί να παγώσει λόγω χαμηλής θερμοκρασίας περιβάλλοντος.

## Συμβουλές για την παράταση της διάρκειας ζωής του πλυστικού πίεσης

1. Μη χρησιμοποιείτε ποτέ το μηχάνημα χωρίς να τροφοδοτείται με νερό.
2. Το πλυστικό αυτό μηχάνημα δεν είναι σχεδιασμένο και δεν προορίζεται για άντληση ζεστού νερού. Ποτέ μην συνδέετε το μηχάνημα με την παροχή ζεστού νερού - αυτό θα μειώσει σημαντικά τη διάρκεια ζωής της αντλίας.
3. Σε περίπτωση που χρησιμοποιήσετε άλλο απορρυπαντικό από αυτό που προτείνει ο κατασκευαστής να γνωρίζετε πως ενδέχεται να προκληθεί βλάβη στα εξαρτήματα της αντλίας (O-Ring, κ.λπ.). Αυτό ισχύει επίσης και για τα χημικά όπως είναι τα λευκαντικά, το σαπούνι για πιάτα κ.λπ.
4. Μη χρησιμοποιείτε ποτέ το μηχάνημα για περισσότερο από ένα (1) λεπτό χωρίς ψεκάσμο νερού. Η αύξηση της θερμοκρασία θα προκαλέσει βλάβη στην αντλία.
5. Πριν ρυθμίσετε την πίεση του ακροφυσίου (υψηλή - χαμηλή ή χαμηλή - υψηλή) απελευθερώστε την σκανδάλη. Σε αντίθετη περίπτωση, θα μειωθεί η διάρκεια ζωής των O- Ring του πιστολιού.

## Αντιμετώπιση πιθανών προβλημάτων

Περιγραφή προβλήματος	Πιθανή αιτία	Αντιμετώπιση
Το μηχάνημα δεν ξεκινά να λειτουργεί.	<ol style="list-style-type: none"> <li>1. Υπάρχει εγκλωβισμένη πίεση στο σύστημα.</li> <li>2. Το φιν δεν είναι σωστά συνδεδεμένο ή πρίζα έχει υποστεί κάποια βλάβη.</li> <li>3. Το καλώδιο προέκτασης είναι πολύ μακρύ ή οι αγωγοί του έχουν πολύ μικρή διάμετρο.</li> <li>4. Η τάση του δικτύου παροχής είναι πολύ μικρή.</li> <li>5. Έχει ενεργοποιηθεί ο θερμικός διακόπτης προστασίας.</li> </ol>	<ol style="list-style-type: none"> <li>1. Πιέστε την σκανδάλη του πιστολιού.</li> <li>2. Ελέγξτε την κατάσταση του φιν, της πρίζας και της ασφάλειας.</li> <li>3. Αποσυνδέστε το καλώδιο προέκτασης.</li> <li>4. Βεβαιωθείτε πως η τάση της παροχής είναι κατάλληλη για την λειτουργία του μηχανήματος.</li> <li>5. Απενεργοποιήστε το μηχάνημα περιμένετε μέχρι να κρυώσει ο κινητήρας του.</li> </ol>
Η αντλία δεν μπορεί να δημιουργήσει την απαιτούμενη πίεση.	<ol style="list-style-type: none"> <li>1. Το φίλτρο εισόδου είναι φραγμένο.</li> <li>2. Υπάρχουν κενά μεταξύ των εξαρτημάτων σύνδεσης με αποτέλεσμα η αντλία να αναρροφά αέρα από τα σημεία αυτά.</li> <li>3. Το ακροφύσιο έχει φθαρεί ή δεν έχει το σωστό μέγεθος.</li> <li>4. Ο ρυθμιστής πίεσης είναι φραγμένος ή φθαρμένος.</li> <li>5. Οι βαλβίδες είναι φραγμένες ή φθαρμένες.</li> </ol>	<ol style="list-style-type: none"> <li>1. Καθαρίστε το φίλτρο εισόδου.</li> <li>2. Ελέγξτε την στεγανότητα των ενώσεων και των συνδέσμων.</li> <li>3. Καλέστε τον προμηθευτή σας για περαιτέρω πληροφορίες.</li> <li>4. Καλέστε τον προμηθευτή σας για περαιτέρω πληροφορίες.</li> </ol>
Ο κινητήρας σταματά την λειτουργία του ξαφνικά.	<ol style="list-style-type: none"> <li>1. Το καλώδιο προέκτασης είναι πολύ μακρύ ή οι αγωγοί του έχουν μικρή διάμετρο.</li> <li>2. Έχει ενεργοποιηθεί ο θερμικός διακόπτης προστασίας λόγω υπερθέρμανσης.</li> </ol>	<ol style="list-style-type: none"> <li>1. Αποσυνδέστε το καλώδιο προέκτασης.</li> <li>2. Βεβαιωθείτε πως η τάση της παροχής είναι κατάλληλη για την λειτουργία του μηχανήματος σύμφωνα με τα τεχνικά χαρακτηριστικά.</li> </ol>



**ПРЕДУПРЕЖДЕНИЕ:** Не използвайте машината, без да сте прочели инструкцията за експлоатация!

## Приложение

ПРЕНΟΣИМАТА МАШИНА ЗА ИЗМИВАНЕ ПОД НАЛЯГАНЕ е високоспециализирана многофункционална машина с изключително надеждна гаранция за безопасност, която трябва да бъде проверена, преди да бъде използвана за измиване и почистване на автомобили, велосипеди и друго оборудване на открито или градински тераси, оранжерии и др.

### Безопасност и предупреждения

#### Автоматично включване/изключване:

Двигателят на тази миялна машина под налягане не работи непрекъснато. Той работи само когато спусъкът на пистолета за пръскане е натиснат. След като изпълните процедурите за пускане в експлоатация в това ръководство, включете миялната машина под налягане и натиснете спусъка за активиране. За повече подробности вижте раздела "Инструкция за работа" в това ръководство.

#### ⚠ WARNING

Свързването на електрическото захранване трябва да се извърши от квалифицирано лице и да отговаря на изискванията на IEC 60364-1. Електрическото захранване на тази машина трябва да включва или устройство за остатъчен ток, което да прекъсне захранването, ако токът на утечка към земята надвиши 30 mA за 30 ms, или устройство, което да докаже заземителната верига.

#### ⚠ WARNING

Методът на работа, който трябва да се следва в случай на авария (напр. контакт с детергенти: изплакнете обилно с чиста вода) или повреда, за да се предотвратят опасни ситуации.

#### ⚠ WARNING

Моторът на тази миялна машина под налягане НЕ работи, ако спусъкът не бъде натиснат.

## Насоки за безопасност

Това ръководство съдържа информация, която е много важно да се знае и разбира. Тази информация е предоставена с цел БЕЗОПАСНОСТ и за предотвратяване на проблеми с оборудването. За да разпознаете тази информация, спазвайте следните символи.

#### ⚠ DANGER

Опасност означава непосредствено опасна ситуация, която, ако не бъде избегната, ЩЕ доведе до смърт или сериозно нараняване.

#### ⚠ WARNING

Предупреждението показва потенциално опасна ситуация, която, ако не бъде избегната, МОЖЕ да доведе до смърт или сериозно нараняване.

#### ⚠ CAUTION

Предупреждението показва потенциално опасна ситуация, която, ако не бъде избегната, МОЖЕ да доведе до леки или средни наранявания.

#### NOTICE

Информация, която изисква специално внимание.

### Важни инструкции за безопасност



#### ЗАПАЗЕТЕ ТЕЗИ ИНСТРУКЦИИ!

#### ⚠ WARNING

Когато машината се използва, винаги трябва да се вземат предвид следните предпазни мерки:

1. Прочетете всички инструкции, преди да използвате машината.
2. За да се намали рискът от нараняване, когато машината се използва в близост до деца, е необходим строг надзор.
3. ВСИЧКИ изключват захранването, преди да разглобяват или ремонтират устройството на машината.
4. Спазвайте всички правила за безопасност, както и Закона за безопасност и здраве при работа (OSHA).
5. Уверете се, че предпазните устройства работят правилно, преди да използвате машината. НЕ демонтирайте и не модифицирайте нито една част от пистолета или блока на машината.
6. Знаете как да спрете машината и да изпуснете налягането бързо. Запознайте се добре с органите за управление.
7. Бъдете нащрек - внимавайте какво правите.
8. Не работете с машината, когато сте уморени или сте под въздействието на алкохол или наркотици.
9. Поддържайте работната зона свободна за всички хора.
10. Не се протягайте и не стойте върху нестабилна опора. Поддържайте добра стойка и равновесие през цялото време.
11. Спазвайте инструкциите за поддръжка, посочени в ръководството.

12. Използвайте предоставения или препоръчания от производителя почистващ препарат.
  13. Поставяйте машината само на стабилно място, когато я използвате, транспортирате, сглобявате и разглобявате. При транспортиране не работете грубо с машината.
  14. в случай на злополука (напр. контакт с почистващи препарати, изплакнете обилно с чиста вода), моля, винаги изключвайте машината и изваждайте щепсела от контакта, и прекъсвайте връзката с вода.
  15. Машината не е предназначена за свързване към водопроводната мрежа за питейна вода. Ако е необходимо, използвайте само набор от входящи маркучи, одобрени по IEC 61770.
- Риск от инжектиране или тежко нараняване. Пазете се от дюзата. Не изпускайте струи към хора. Тази машина трябва да се използва само от обучени оператори. Винаги изваждайте копието от пистолета, преди да почистите отломките от накрайника.
- Пазете се от дюзата. НИКОГА не насочвайте струята под високо налягане към хора, животни или към себе си.
  - Винаги носете предпазни очила или очила и защитно облекло, когато работите или извършвате поддръжка.
  - Никога не поставяйте ръка или пръсти върху накрайника на пръскачката, докато работите с уреда.
  - Никога не се опитвайте да спрете или отклоните течове с която и да е част от тялото.
  - Винаги задействайте предпазната ключалка на спусъка в безопасно положение, дори когато пръскането е спряно за момент.
  - Винаги спазвайте препоръките на етикета на производителя на детергента за правилна употреба на детергентите. Винаги предпазвайте очите, кожата и дихателната система от употребата на детергенти.

### **⚠ WARNING**



#### **Обслужване на машина с двойна изолация**

При двойно изолираната машина вместо заземяване са предвидени две системи за изолация. За машината с двойна изолация не се предвиждат заземителни средства, нито пък трябва да се добавят заземителни средства към машината. Обслужването на машина с двойна изолация изисква изключително внимание и познаване на системата и трябва да се извършва само от квалифициран сервизен персонал.

Резервните части за машина с двойна изолация трябва да са идентични с оригиналните части. Машината с двойна изолация се маркира с думите "Двойна изолация" или "Двойна изолация". Машината може да бъде маркирана и със символа, показан на фигура 1.

**ПРЕДУПРЕЖДЕНИЕ!** Не използвайте налягане, което надвишава работното налягане на която и да е от частите (маркучи, фитинги и др.) в системата под налягане. Уверете се, че цялото оборудване и принадлежности са предназначени да издържат на максималното работно налягане на устройството.

**ПРЕДУПРЕЖДЕНИЕ!** Опасност от експлозия. Никога не пръскайте запалими течности и не използвайте машината под налягане в зони, съдържащи запалим прах, течности или пари. Никога не работете с машината в затворена сграда или във или в близост до взривоопасна среда.

**ПРЕДУПРЕЖДЕНИЕ!** Не пръскайте електрически апарати и кабели.

- Никога не изключвайте изпускателния маркуч за високо налягане от машината, докато системата е под налягане. За да освободите машината от налягането, изключете захранването и подаването на вода, след което натиснете спусъка на пистолета 2~3 пъти.
- Никога не задействайте трайно спусковия механизъм на пистолета.
- Никога не работете с машината, ако всички компоненти не са правилно свързани към нея (ръкохватка, пистолет/шайба, дюза и др.).

**ПРЕДУПРЕЖДЕНИЕ!** Повреда на оборудването.

- Винаги включвайте подаването на вода "ON", преди да включите миялната машина под налягане "ON". Работата на помпата на сухо води до сериозни повреди.
- Не работете с миялната машина под налягане, ако е отстранен входният воден екран. Поддържайте екрана чист от замърсявания и утайки.
- НИКОГА не използвайте машината под налягане със счупени или липсващи части. Проверявайте редовно оборудването и незабавно ремонтирайте или подменяйте износените или повредени части.
- Използвайте само дюзата, доставена с тази машина.

-Никога не оставяйте пръчката без надзор, докато машината работи.

- Никога не се опитвайте да промените фабричните настройки.

Промяната на фабричните настройки може да доведе до повреда на устройството и до прекратяване на гаранцията.

- Винаги дръжте здраво пистолета и пръчката, когато стартирате и работите с машината.
- НИКОГА не оставяйте устройството да работи с освободен (изключен) спусък за повече от една (1) минута.

Възникналата топлина ще повреди помпата.

- Миялната машина под налягане не трябва да изпомпва гореща вода. НИКОГА не я свързвайте към захранване с гореща вода, тъй като това ще намали значително живота на помпата.
- НИКОГА не съхранявайте миялната машина под налягане на открито или на места, където може да замръзне. Помпата ще се повреди сериозно.
- Освободете спусъка при преминаване от режим на високо към режим на ниско налягане. Ако не го направите, това може да доведе до повреда.
- Внимавайте за отката, предизвикан от водната струя при включване на машината.

**ВНИМАНИЕ:** Пазете маркуча от остри предмети. Спукването на маркуча може да доведе до нараняване. Преглеждайте редовно маркуча и го подменяйте, ако е повреден.

Не се опитвайте да поправяте повреден маркуч.

#### Удължителни кабели

Не се препоръчва използването на удължител. Използвайте само удължители, предназначени за употреба на открито. Те са обозначени с маркировката "Допустимо за използване с машини на открито; съхранявайте на закрито, докато не се използват". Използвайте само удължители с електрическа мощност, равна или по-голяма от мощността на машината. Не използвайте повредени удължители. Преди да използвате удължителя, го прегледайте и го заменете, ако е повреден. Не злоупотребявайте с удължителния кабел. Не дърпайте кабела, за да го изключите. Дръжте кабела далеч от топлина и остри ръбове.

Винаги изключвайте кабела от контакта, преди да изключите машината от удължителя.

**⚠ DANGER** Неспазването на тези инструкции може да доведе до сериозни наранявания, включително смърт.



**⚠ WARNING** За да намалите риска от токов удар, дръжте всички връзки сухи и извън земята. Не докосвайте щепсела с мокри ръце.

Машините не трябва да се използват от деца. Децата трябва да бъдат наблюдавани, за да се гарантира, че не си играят с машината. Тази машина не е предназначена за използване от лица (включително деца) с намалени физически, сензорни или умствени способности или с липса на опит и познания.

**ПРЕДУПРЕЖДЕНИЕ!** Тази машина е проектирана за използване с почистващия препарат, доставен или препоръчан от производителя. Използването на други почистващи препарати или химикали може да се отрази неблагоприятно на безопасността на машината.

**ПРЕДУПРЕЖДЕНИЕ!** Дюзите с високо налягане могат да бъдат опасни при неправилна употреба. Струята не трябва да се насочва към хора, електрическо оборудване под напрежение или към самата машина.

**ПРЕДУПРЕЖДЕНИЕ!** Препоръчваме на оператора да носи предпазни средства за ушите.

**ПРЕДУПРЕЖДЕНИЕ!** Не използвайте машината в обсега на хора, ако те не носят защитно облекло.

**ПРЕДУПРЕЖДЕНИЕ!** Не насочвайте струята срещу себе си или други лица, за да почистите дрехи или обувки.

**ПРЕДУПРЕЖДЕНИЕ!** Опасност от експлозия - не пръскайте запалими течности.

**ПРЕДУПРЕЖДЕНИЕ!** Уредите за почистване под високо налягане не трябва да се използват от деца или необучен персонал.

**ПРЕДУПРЕЖДЕНИЕ!** Маркучите за високо налягане, фитингите и съединителите са важни за безопасността на машината. Използвайте само маркучи, фитинги и съединители, препоръчани от производителя.

**ПРЕДУПРЕЖДЕНИЕ!** За да се гарантира безопасността на машината, използвайте само оригинални резервни части от производителя или одобрени от него.

**ПРЕДУПРЕЖДЕНИЕ!** Водата, която е преминала през предпазители за обратен поток, се счита за непитейна.

**ПРЕДУПРЕЖДЕНИЕ!** По време на почистване или поддръжка, както и при смяна на функцията на машината с друга, машината трябва да бъде изключена от източника на захранване чрез изваждане на щепсела от контакта.

**ПРЕДУПРЕЖДЕНИЕ!** Не използвайте машината, ако захранващият кабел или важни части на машината са повредени, напр. предпазни устройства, маркучи за високо налягане, пистолет за задействане.

**ПРЕДУПРЕЖДЕНИЕ!** Ако се използва удължител, щепселът и контактът трябва да са с водонепропусклива конструкция.

**ПРЕДУПРЕЖДЕНИЕ!** Неподходящите удължители могат да бъдат опасни. Ако се използва удължител, той трябва да е подходящ за използване на открито, а връзката трябва да се държи суха и извън земята. Препоръчително е това да се постигне с помощта на макара за кабел, която държи контакта на поне 60 mm над земята.

**ПРЕДУПРЕЖДЕНИЕ!** За да се избегне опасност от неволно нулиране на термичния прекъсвач, този уред не трябва да се захранва чрез външно превключващо устройство, например таймер, или да се свързва към верига, която редовно се включва и изключва от електрическата мрежа.

**ПРЕДУПРЕЖДЕНИЕ!** Машината е предназначена за използване при температура над 0 градуса. (Само за машина със захранващ кабел H05VV-F).

**ПРЕДУПРЕЖДЕНИЕ!** За да се гарантира безопасността на машината, използвайте само оригинални резервни части (включително дюза) от производителя или одобрени от него. Не използвайте машината, преди да сте ги сменили, ако те са повредени.

**ПРЕДУПРЕЖДЕНИЕ!** Внимавайте за опасността от силата на отката върху пръскачката при отваряне на спусъка на пистолета и хванете пистолета здраво с ръце.

**ПРЕДУПРЕЖДЕНИЕ!** Когато машината се движи и монтира, тя трябва да е в хоризонтално положение.

Когато премествате машината, издърпайте дръжката, за да я преместите.

**ПРЕДУПРЕЖДЕНИЕ!** Свържете машината към водоснабдяването.

Уверете се, че налягането на водата на входа се поддържа между 0,01MPa и 0,4MPa.



Дължината на входната тръба трябва да бъде най-малко 5 m. Не използвайте тръбата, ако тя е повредена.



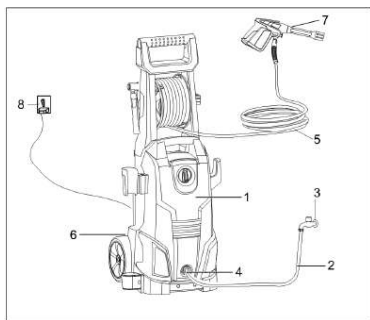
**WARNING** Машината не е подходяща за директно свързване към водопроводната мрежа за питейна вода.

**ПРЕДУПРЕЖДЕНИЕ!** Изключете от електрическото захранване, преди да извършвате потребителска поддръжка. Ако захранващият кабел е повреден, той трябва да бъде заменен от производителя, неговия сервизен представител или лице с подобна квалификация, за да се избегне опасност.

## Връзка

1. Свържете маркуча за високо налягане към изхода за вода под налягане на машината.
2. Свържете дръжката за пръскане към маркуча за високо налягане. Преди да започнете работа с машината, уверете се, че маркучът за високо налягане е напълно развит. Докато машината работи, маркучът НЕ ТРЯБВА да се заплита.
3. Монтирайте дюзата или другото оборудване, което искате да използвате.
4. Свържете машината към водоснабдяването и електрозахранването.

### Монтаж, електрически и водни връзки



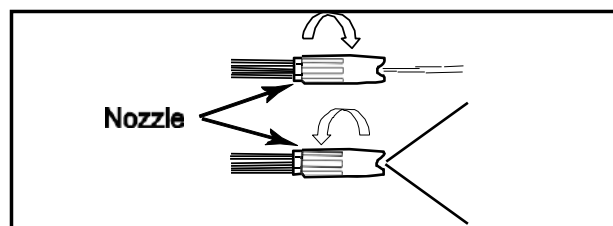
1. Почистващо устройство под налягане
2. Маркуч за подаване на вода
3. Връзка за вода
4. Вход за вода
5. Тръба за високо налягане
6. Изход за вода
7. Пистолет за пръскане
8. Захранване

\* Не са включени номера 2, 3, 8

## Преди операцията

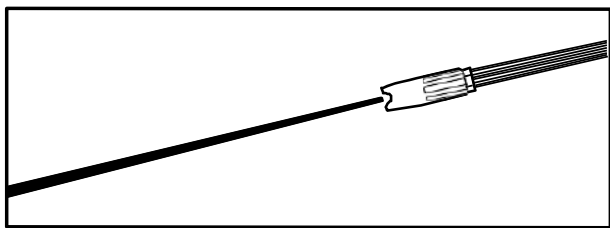
### Регулиране на модела на вентилатора

Ъгълът на пръскане, излизащ от щуцера, може да се регулира при някои щуцери чрез завъртане на дюзата. Това ще промени схемата на пръскане от приблизително 0° тясна силно въздействаща струя до 60° широка ветрилообразна струя (вж. Фигура 2).



Фигура 2 - Настройване на дюзата за вентилационна схема (не се прилага за някои дюзи)

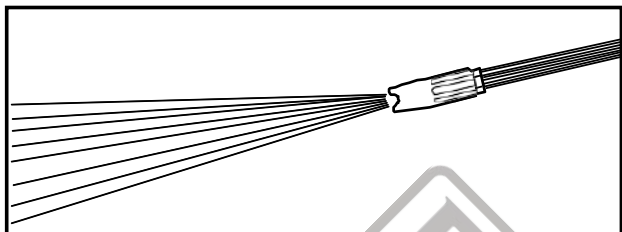




Тясната струя има голяма сила на удара върху почистващата повърхност и води до максимално дълбоко почистване в концентрирана зона. Въпреки това тази тясна струя със силен удар трябва да се използва внимателно, тъй като може да повреди някои повърхности.

**Фигура 3 - Тесен поток с голямо въздействие**

Широкият модел на вентилатора разпределя въздействието на водата върху по-голяма площ, което води до отлично почистване с намален риск от увреждане на повърхността., Големи площи могат да бъдат почистени по-бързо с помощта на широк модел на вентилатора.

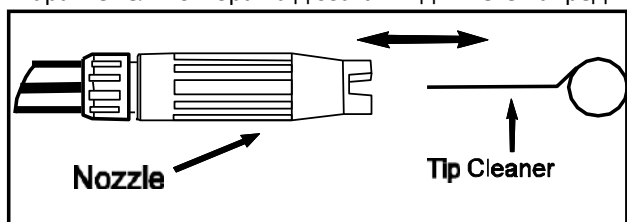


**Фигура 4 - Широка схема на пръскане**

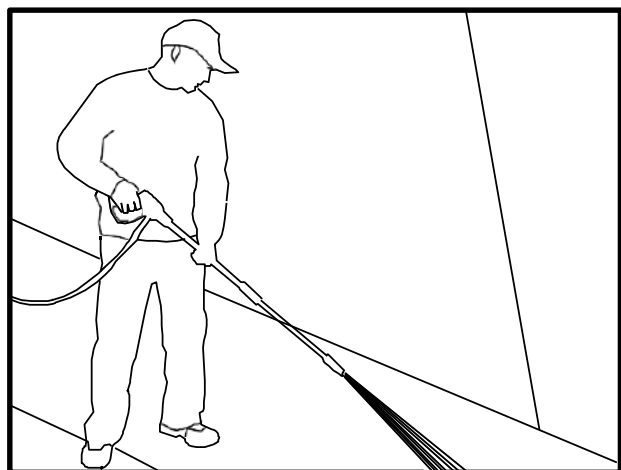
#### Инструкции за почистване на дюзата

Запушената или частично запушената дюза може да доведе до значително намаляване на количеството вода, излизащо от дюзата, и да предизвика пулсиране на уреда по време на пръскане. За да почистите дюзата:

- Изключете и извадете устройството от електрическата мрежа.
- Изключете подаването на вода. Освободете налягането, задържано в маркуча, като натиснете спусъка 2-3 пъти.
- Отделете копието от пистолета.
- Завъртете дюзата до настройката за тесен поток. Това отваря лопатките на вентилатора.
- С помощта на включения в комплекта препарат за почистване на крайници или на разгънатата хартиена скоба вкарайте тел в отвора на дюзата и я движете напред-назад, докато замърсяванията се отстранят. (Вижте Фигура 5.)



**Фигура 5 - Поставете почистващия крайник в отвора на дюзата и го движете напред-назад, докато се отстранят замърсяванията.**



Отстранете допълнителните замърсявания чрез обратно промиване с вода през дюзата. За целта поставете края на градински маркуч (с течаща вода) в края на дюзата за 30-60 секунди.

#### Ъгъл спрямо почистващата повърхност

При разпръскване на вода върху повърхност максималното въздействие се получава, когато водата се удари в повърхността "с главата напред".

Този тип удар обаче води до вкореняване на частици мръсотия в повърхността, което възпрепятства желаното почистване. Оптималният ъгъл за разпръскване на вода върху почистваната повърхност е 45 градуса.

**Фигура 6 - Оптимален ъгъл за почистване на повърхности**

Разпръскването на вода върху повърхността под този ъгъл осигурява най-благоприятна сила на удара, съчетана с ефективно отстраняване на замърсяванията от повърхността.

#### Разстояние от почистващата повърхност

Друг фактор, който определя силата на въздействие на водата, е разстоянието от дюзата до почистващата повърхност. Силата на удара на водата се увеличава с приближаването на дюзата към повърхността.

#### Как да избегнете повреждането на повърхности

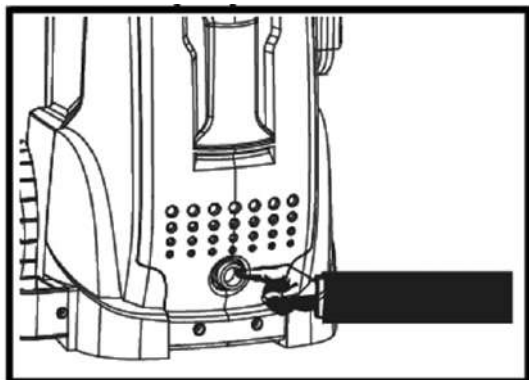
Повредите по почистващите повърхности се дължат на това, че силата на удара на водата превишава издръжливостта на повърхността. Силата на удара може да се променя чрез контролиране на трите посочени по-горе елемента. Никога не използвайте тясна струя със силно въздействие или турбо/ротационна дюза върху повърхност, която е податлива на увреждане. Избягвайте да пръскате прозорци с тясна струя с голямо въздействие или турбо дюза, тъй като това може да доведе до счупване. Най-сигурният начин да избегнете повреждане на повърхности е да следвате следните стъпки:

1. Преди да задействате пистолета, настройте дюзата на широка ветрилообразна схема.
2. Поставете дюзата на около 4-5 фута от почистващата повърхност и на 45 градуса спрямо нея и задействайте пистолета.
3. Променяйте ъгъла на разпръскване на вентилатора и разстоянието до почистващата повърхност, докато постигнете оптимална ефективност на почистване, без да повредите повърхността.

#### Турбонакрайник (не е включен във всички модели)

Турбо дюзата, понякога наричана ротационна дюза, е много ефективен инструмент, който може значително да намали времето за почистване. Турбо дюзата съчетава мощността на тясна струя с голямо въздействие и ефикасността на 25-градусов вентилатор. Това завихря тясната силно въздействаща струя в конусовидна форма, която почиства по-голяма площ.

**ВНИМАНИЕ:** Тъй като турбо дюзата използва тясна струя с голям удар, използвайте я само в приложения, при които почистващата повърхност не може да бъде повредена от тясната струя с голям удар. Освен това турбо дюзата НЕ може да се регулира и не може да се използва за нанасяне на почистващ препарат.



Фигура 7

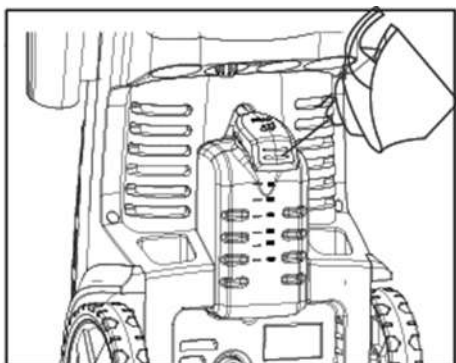
#### Филтър за входяща вода

Филтърът на входа за вода трябва да се проверява редовно, за да се избегне запушване и ограничаване на подаването на вода към помпата (фиг. 7).

#### Детергенти

Използването на детергенти може значително да съкрати времето за почистване и да подпомогне отстраняването на трудни петна. Някои детергенти са адаптирани за използване с машини под налягане при специфични задачи за почистване. Тези детергенти са с гъстота приблизително колкото водата. Използването на по-гъсти детергенти, като например сапун за съдове, ще запуши системата за впръскване на химикали и ще попречи на прилагането на детергента.

Почистващата сила на детергентите се дължи на това, че те се нанасят върху повърхността и химикалите имат време да разградят мръсотията и замърсяванията. Детергентите действат най-добре, когато се прилагат с ниско налягане. Комбинацията от химическо действие и изплакване под високо налягане е много ефективна. При вертикални повърхности нанасяйте препарата отдолу и се изкачвайте нагоре. Това ще предотврати плъзгането на препарата надолу и образуването на ивици. Изплакването с високо налягане също трябва да се извършва отдолу нагоре. При особено силни петна може да се наложи използването на четка в комбинация с почистващи препарати и изплакване под високо налягане.

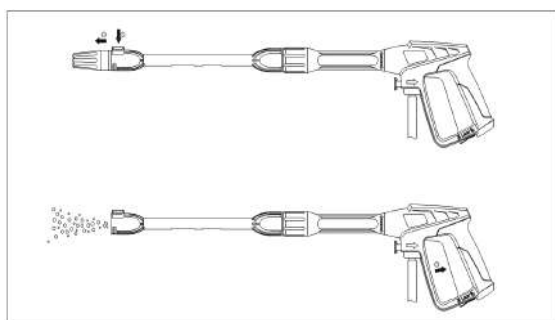


Фигура 8

#### Използване на детергент

Добавете детергент в контейнера. Настройте регулируемата пръскачка на позицията за ниско налягане. (Фиг. 8)

Задействайте спусъка на пистолета, за да разпръснете детергента.



Фигура 9

#### Метод на почистване с пяна

Не забравяйте да поставите почистващия разтвор във вграденото смукателно гърне и да извадите накрайника, както е показано на фигура 9.

## Операция

Следната процедура за почистване ще ви помогне да организирате задачата си за почистване и ще гарантира, че ще постигнете най-благоприятните резултати за най-кратко време.

Не забравяйте да използвате посочените по-горе техники за пръскане/почистване.

### 1. Подготовка на повърхността

Преди да започнете работа по почистване с миене под налягане, е важно да подготвите повърхността, която ще се почиства. Това се прави, като се почисти зоната от мебели и се уверите, че всички прозорци и врати са плътно затворени. Освен това трябва да се уверите, че всички растения и дървета, които са в съседство с мястото на почистване, са защитени с падаща кърпа. Това ще гарантира, че растенията ви няма да бъдат напръскани от почистващите препарати.

### 2. Първоначално изплакване под високо налягане

Следващата стъпка е да напръскате почишваната повърхност с вода, за да отстраните мръсотията, която може да се е събрала по повърхността. Това ще позволи на почистващия препарат да атакува замърсяванията, които са проникнали в дълбочина на почистващата повърхност. Преди да задействате пистолета, настройте дюзата на широка ветрилообразна схема и бавно регулирайте до желаната схема на пръскане. Това ще ви помогне да избегнете нанасянето на твърде концентриран спрей върху повърхността, което може да доведе до повреда.

### 3. Последно изплакване

Започнете последното изплакване отдолу и продължете нагоре. Уверете се, че сте изплакнали обилно повърхността и че всичият препарат е отстранен.

### 4. Изключване

1. Уверете се, че целият детергент е отмит от системата.
2. Изключете двигателя.
3. Изключете подаването на вода.
4. След като двигателят и водоснабдяването са изключени, задействайте пистолета, за да освободите системата от налягането.

**ВНИМАНИЕ:** НИКОГА не изключвайте подаването на вода, преди да изключите двигателя. Възможно е да възникнат сериозни повреди в помпата и/или двигателя.

**ПРЕДУПРЕЖДЕНИЕ!** НИКОГА не изключвайте нагнетателния маркуч за високо налягане от машината, докато системата е под налягане. За да намалите налягането, изключете двигателя, изключете подаването на вода и натиснете 2-3 пъти спусъка на пистолета.

5. След всяка употреба избърсвайте всички повърхности на машината под налягане с чиста, влажна кърпа.

### 5. Съхранение

Не съхранявайте миялната машина под налягане на открито.

Не съхранявайте машината под налягане на места, където може да замръзне.

## Съвети за удължаване на живота на вашата машина под налягане

1. Никога не използвайте уреда без вода.
2. Миялната машина под налягане не е предназначена за изпомпване на гореща вода. Никога не се свързвайте към мрежата за гореща вода - това значително ще намали живота на помпата.
3. Използването на детергент, различен от тази марка, може да доведе до повреда на компонентите на помпата (O-пръстени и др.). Това се отнася и за химикали като белина, сапун за съдове и др.
4. Никога не работете с уреда за повече от една (1) минута, без да пръскате вода. Възникналата топлина ще повреди помпата.
5. Преди да регулирате налягането на дюзата (от високо към ниско или от ниско към високо) освободете спусъка. Ако не го направите, това ще намали живота на уплътнителните пръстени в копието.

## Отстраняване на неизправности

Проблем	Възможна причина	Резолуция
Миялната машина под налягане не се стартира	<ol style="list-style-type: none"> <li>1. В уреда се е натрупало налягане</li> <li>2. Щепселът не е добре свързан или електрическият контакт е повреден</li> <li>3. Удължител е твърде дълъг или размерът на проводника е твърде малък</li> <li>4. Основното захранващо напрежение е твърде ниско</li> <li>5. Термичната защита се е задействала</li> </ol>	<ol style="list-style-type: none"> <li>1. Натиснете спусъка на пистолета</li> <li>2. Проверете щепсела, контакта и предпазителя</li> <li>3. Отстранете удължителя</li> <li>4. Проверете дали захранващото напрежение е достатъчно</li> <li>5. Изключете устройството и оставете двигателя да се охлади</li> </ol>
Помпата не достига необходимото налягане	<ol style="list-style-type: none"> <li>1. Филтърът на входа за вода е запушен</li> <li>2. Помпата засмуква въздух от връзките на маркуча</li> <li>3. Дюзата е износена или не е с правилния размер</li> <li>4. Разтоварващият механизъм е запушен или износен</li> <li>5. Вентилите са запушени или износени</li> </ol>	<ol style="list-style-type: none"> <li>1. Почистете входящия филтър за вода</li> <li>2. Проверете дали връзките и фиксиращият пръстен са правилно затегнати</li> <li>3. Обадете се на дилъра</li> <li>4. Обадете се на дилъра</li> <li>4. Обадете се на дилъра</li> </ol>
Колебливо налягане	<ol style="list-style-type: none"> <li>1. Помпата засмуква въздух</li> <li>2. Запушен крайник</li> <li>3. Замърсени, износени или заклещени клапани</li> <li>4. Износени водни уплътнения</li> </ol>	<ol style="list-style-type: none"> <li>1. Проверете дали маркучите и връзките са затегнати</li> <li>2. Почистете с препарат за почистване на крайници</li> <li>3. Обадете се на дилъра</li> <li>4. Обадете се на дилъра</li> </ol>
Двигателят спира внезапно	<ol style="list-style-type: none"> <li>1. Удължител е твърде дълъг или размерът на проводника е твърде малък</li> <li>2. Термичният предпазен превключвател има сработи поради прегряване</li> </ol>	<ol style="list-style-type: none"> <li>1. Отстранете удължителя</li> <li>2. Проверете дали захранващото напрежение отговаря на спецификациите на устройството</li> </ol>



**OPOZORILO:** Ne uporabljajte stroja, ne da bi prebrali navodila za uporabo!

## Aplikacija

PRENOSNI Tlačni pralni stroj je visoko specializiran večnamenski stroj z izjemno zanesljivim varnostnim zagotovitvom, ki ga je treba pred uporabo za pranje in čiščenje avtomobilov, koles in druge zunanje opreme ali vrtnih teras, rastlinjakov itd. pregledati.

### Varnost in opozorila

#### Samodejni vklop/izklop:

Motor tega tlačnega pralnika ne deluje neprekinjeno. Deluje le, ko pritisnete sprožilec pršilne pištole. Po opravljenih zagonskih postopkih v tem priročniku vklopite tlačni čistilnik in za aktiviranje pritisnite sprožilec. Za več podrobnosti glejte poglavje "Navodila za uporabo" v tem priročniku.

#### ⚠ WARNING

Električni priključek mora izvesti usposobljena oseba in mora biti v skladu z IEC 60364-1. Električno napajanje tega stroja mora vključevati bodisi napravo za preostali tok, ki prekine napajanje, če uhajalni tok v zemljo preseže 30 mA za 30 ms, bodisi napravo, ki dokaže ozemljitveni tokokrog.

#### ⚠ WARNING

Način delovanja, ki ga je treba upoštevati v primeru nesreče (npr. stik z detergenti: sperite z veliko količino čiste vode) ali okvare, da se preprečijo nevarne razmere.

#### ⚠ WARNING

Motor tega tlačnega čistilnika NE deluje, če ni pritisnjen sprožilec.

## Varnostne smernice

Ta priročnik vsebuje informacije, ki jih je zelo pomembno poznati in razumeti.

Te informacije so na voljo zaradi VARNOSTI in preprečevanja težav z opremo. Za lažje prepoznavanje teh informacij upoštevajte naslednje simbole.

#### ⚠ DANGER

Nevarnost označuje neposredno nevarno situacijo, ki lahko povzroči smrt ali hude poškodbe, če se ji ne izognete.

#### ⚠ WARNING

Opozorilo označuje potencialno nevarno situacijo, ki lahko povzroči smrt ali hude poškodbe, če se ji ne izognete.

#### ⚠ CAUTION

Opozorilo označuje potencialno nevarno situacijo, ki lahko, če se ji ne izognete, povzroči manjše ali srednje težke poškodbe.

#### NOTICE

Informacije, ki zahtevajo posebno pozornost.

### Pomembna varnostna navodila



**SHRANITE TA NAVODILA!**

#### ⚠ WARNING

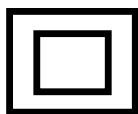
Pri uporabi stroja je treba vedno upoštevati naslednje previdnostne ukrepe:

1. Pred uporabo stroja preberite vsa navodila.
2. Da bi zmanjšali tveganje poškodb, je potreben strog nadzor, kadar se stroj uporablja v bližini otrok.
3. Pred razstavljanjem ali popraviljanjem enote stroja VEDNO odklopite napajanje.
4. Upoštevajte vse varnostne predpise in zakon o varnosti in zdravju pri delu (OSHA).



5. Pred uporabo stroja se prepričajte, da varnostne naprave pravilno delujejo. NE odstranjajte ali spreminjajte nobenega dela pištrole ali enote stroja.
  6. Znanje o tem, kako ustaviti napravo in hitro izpustiti tlak. Natančno se seznanite z upravljalnimi elementi.
  7. Bodite pozorni - pazite, kaj počnete.
  8. Ne upravljajte stroja, če ste utrujeni ali pod vplivom alkohola ali drog.
  9. Na delovnem območju naj ne bo nobenih oseb.
  10. Ne iztegujte se preveč in ne stojte na nestabilni podlagi. Vedno imejte dobro podlago in ravnotežje.
  11. Upoštevajte navodila za vzdrževanje, navedena v priročniku.
  12. Uporabite čistilno sredstvo, ki je priloženo ali ga priporoča proizvajalec.
  13. Pri uporabi, prevozu, sestavljanju in razstavljanju stroj postavite le na stabilno mesto. Med prevozom ne ravnajte grobo s strojem.
  14. v primeru nesreče (npr. stik z detergenti, izpiranje z obilico čiste vode) stroj vedno izklopite, izvlecite vtič iz vtičnice in prekinite povezavo z vodo.
  15. Stroj ni namenjen priključitvi na vodovodno omrežje pitne vode. Če je to potrebno, uporabite samo dovodne cevi, ki so odobrene po standardu IEC 61770.
- Nevarnost vbrizganja ali hude poškodbe. Ne približujte se šobi. Ne izpuščajte curkov proti osebam. Ta stroj lahko uporabljajo le usposobljeni upravljalci. Pred čiščenjem ostankov s konice vedno odstranite kopje s pištrole.
- Ne približujte se šobi. NIKOLI ne usmerjajte visokotlačnega curka v osebe, živali ali sebe.
  - Med upravljanjem ali vzdrževanjem vedno nosite zaščitna očala in zaščitna oblačila.
  - Med delovanjem naprave nikoli ne postavljajte roke ali prstov nad pršilno konico.
  - Z nobenim delom telesa ne poskušajte ustaviti ali preusmeriti uhajanja.
  - Varnostno zaporo sprožilca vedno postavite v varen položaj, tudi če se pršenje za trenutek ustavi.
  - Za pravilno uporabo detergentov vedno upoštevajte priporočila proizvajalca detergentov na etiketi. Vedno zaščitite oči, kožo in dihala pred uporabo detergentov.

### ⚠ WARNING



#### Servisiranje stroja z dvojno izolacijo

Pri stroju z dvojno izolacijo sta namesto ozemljitve zagotovljena dva sistema izolacije. Za stroj z dvojno izolacijo niso predvidena ozemljitvena sredstva, prav tako pa stroju ni treba dodajati ozemljitvenih sredstev. Servisiranje stroja z dvojno izolacijo zahteva izjemno previdnost in poznavanje sistema, zato naj ga opravlja le usposobljeno servisno osebje. Nadomestni deli za stroj z dvojno izolacijo morajo biti enaki originalnim delom. Stroj z dvojno izolacijo je označen z besedami "Dvojna izolacija" ali "Dvojna izolacija". Stroj je lahko označen tudi s simbolom, prikazanim na sliki 1.

**OPOZORILO!** Ne uporabljajte tlaka, ki presega delovni tlak katerega koli dela (cevi, priključkov itd.) v sistemu pod tlakom. Prepričajte se, da so vsa oprema in dodatki dimenzionirani tako, da prenesejo najvišji delovni tlak enote.

**OPOZORILO!** Nevarnost eksplozije. Nikoli ne pršite vnetljivih tekočin in ne uporabljajte tlačnega čistilnika na območjih, kjer so vnetljivi prah, tekočine ali hlapi. Naprave nikoli ne uporabljajte v zaprti stavbi ali v eksplozivnem okolju ali njegovi bližini.

**OPOZORILO!** Ne pršite po električnih napravah in napeljavah.

- Nikoli ne odklopite visokotlačne izpustne cevi s stroja, ko je sistem pod tlakom. Če želite zmanjšati tlak v stroju, izklopite napajanje in dovod vode, nato pa 2- do 3-krat pritisnite sprožilec pištrole.
- Nikoli trajno ne pritrdite sprožilnega mehanizma na pištoli.
- Nikoli ne uporabljajte stroja, če vsi sestavni deli niso pravilno povezani s strojem (ročaj, sklop pištrole/proge, šoba itd.).

**OPOZORILO!** Poškodbe opreme.

- Preden vklopite tlačni čistilnik, vedno vključite dovod vode. Če črpalka teče na suho, povzroči resne poškodbe.
- Tlačnega pralnika ne uporabljajte, če je odstranjeno sito za dovod vode. Na zaslonu ne sme biti smeti in usedlin.
- NIKOLI ne uporabljajte tlačnega čistilnika z zlomljenimi ali manjkajočimi deli. Redno preverjajte opremo in takoj popravite ali zamenjajte obrabljene ali poškodovane dele.
- Uporabljajte samo šobo, ki je priložena temu stroju.
- Nikoli ne puščajte palice brez nadzora, ko stroj deluje.
- Nikoli ne poskušajte spreminjati tovarniških nastavitev.

Spreminjanje tovarniških nastavitev lahko poškoduje enoto in povzroči izgubo garancije.

- Pri zagonu in uporabi stroja vedno trdno držite pištolo in palico.
- NIKOLI ne dovolite, da bi enota delovala s sproščenim (izklopljenim) sprožilcem več kot eno (1) minuto. Nastala toplota bo poškodovala črpalko.
- Tlačni čistilnik ne sme črpati vroče vode. NIKOLI ga ne priključite na dovod vroče vode, saj boste s tem znatno skrajšali življenjsko dobo črpalke.
- Tlačnega čistilnika NIKOLI ne shranjujte na prostem ali na mestih, kjer bi lahko zamrznil. Črpalka se bo resno poškodovala.



- Sprostite sprožilec, ko preklopite iz načina visokega tlaka v način nizkega tlaka. Če tega ne storite, lahko pride do poškodb.
- Ob vklopu stroja bodite pozorni na odboj, ki ga povzroča vodni curek.

**OPOZORILO:** Cev hranite stran od ostrih predmetov. Pretrganje cevi lahko povzroči poškodbe. Redno pregledujte cev in jo v primeru poškodb zamenjajte.

Poškodovane cevi ne poskušajte popraviti.

### Podaljševalni kabli

Uporaba podaljška ni priporočljiva. Uporabljajte samo podaljške, ki so namenjeni za zunanjo uporabo. Ti so označeni z oznako "Sprejemljivo za uporabo s stroji na prostem; kadar jih ne uporabljate, jih shranite v zaprtih prostorih." Uporabljajte samo podaljške, katerih električna zmogljivost je enaka ali večja od zmogljivosti stroja. Ne uporabljajte poškodovanih podaljškov. Pred uporabo preglejte podaljšek in ga v primeru poškodb zamenjajte. Ne zlorablajte podaljškov. Ne potegnite za kabel, da bi ga odklopili. Kabel hranite stran od vročine in ostrih robov.

Vedno izključite kabel iz vtičnice, preden izključite stroj iz podaljška.



Neupoštevanje teh navodil lahko povzroči hude poškodbe, vključno s smrtjo.



Da bi zmanjšali nevarnost električnega udara, naj bodo vsi priključki suhi in odmaknjeni od tal. Vtiča se ne dotikajte z mokrimi rokami.

Otroci ne smejo uporabljati strojev. Otroci morajo biti pod nadzorom, da se ne igrajo s strojem. Ta stroj ni namenjen za uporabo osebam (vključno z otroki) z zmanjšanimi fizičnimi, senzoričnimi ali duševnimi sposobnostmi ali s pomanjkanjem izkušenj in znanja.

**OPOZORILO!** Ta stroj je bil zasnovan za uporabo s čistilnim sredstvom, ki ga je dobavil ali priporočil proizvajalec. Uporaba drugih čistilnih sredstev ali kemikalij lahko negativno vpliva na varnost stroja.

**OPOZORILO!** Visokotlačni curki so lahko ob napačni uporabi nevarni. Tlačni curek ne sme biti usmerjen proti osebam, električni opremi pod napetostjo ali samemu stroju.

**OPOZORILO!** Upravljavcu priporočamo, da nosi ščitnike za ušesa.

**OPOZORILO!** Naprave ne uporabljajte v bližini oseb, če te ne nosijo zaščitnih oblačil.

**OPOZORILO!** Ne usmerjajte curka proti sebi ali drugim osebam, da bi očistili oblačila ali obutev.

**OPOZORILO!** Nevarnost eksplozije - ne pršite vnetljivih tekočin.

**OPOZORILO!** Visokotlačnih čistilnikov ne smejo uporabljati otroci ali neusposobljeno osebje.

**OPOZORILO!** Visokotlačne cevi, priključki in spojke so pomembni za varnost stroja. Uporabljajte samo cevi, priključke in spojke, ki jih priporoča proizvajalec.

**OPOZORILO!** Za zagotovitev varnosti stroja uporabljajte samo originalne rezervne dele proizvajalca ali dele, ki jih je odobril proizvajalec.

**OPOZORILO!** Voda, ki se pretaka skozi protipovratne zaščite, se šteje za nepitno.

**OPOZORILO!** Med čiščenjem ali vzdrževanjem in pri zamenjavi stroja v drugo funkcijo je treba stroj odklopiti od vira napajanja tako, da izvlečete vtič iz vtičnice.

**OPOZORILO!** Naprave ne uporabljajte, če je poškodovan napajalni kabel ali pomembni deli naprave, npr. varnostne naprave, visokotlačne cevi, sprožilna pištola.

**OPOZORILO!** Če uporabljate podaljšek, morata biti vtič in vtičnica vodotesno izdelana.

**OPOZORILO!** Neustrezni podaljški so lahko nevarni. Če uporabljate podaljšek, mora biti primeren za uporabo na prostem, priključek pa mora biti suh in odmaknjen od tal. To je priporočljivo doseči z navijalcem kabla, ki vtičnico ohranja vsaj 60 mm nad tlemi.

**OPOZORILO!** Da bi se izognili nevarnosti zaradi nenamerne ponastavitve toplotnega odklopa, ta naprava ne sme biti napajana prek zunanje stikalne naprave, kot je časovnik, ali priključena na tokokrog, ki ga redno vklaplja in izklaplja komunalna služba.

**OPOZORILO!** Stroj je namenjen uporabi pri temperaturi nad 0 stopinj. (Samo za stroj z napajalnim kablom H05VV-F).

**OPOZORILO!** Za zagotovitev varnosti stroja uporabljajte samo originalne nadomestne dele (vključno s šobo) proizvajalca ali dele, ki jih je odobril proizvajalec. Ne uporabljajte stroja, preden jih zamenjate, če so poškodovani.

**OPOZORILO!** Pri odpiranju sprožilca pazite na nevarnost povratne sile na razpršilni sklop in ga trdno primite z rokami.

**OPOZORILO!** Med premikanjem in nameščanjem mora biti stroj v ravnem položaju. Pri premikanju stroja ga premaknite tako, da potegnete ročaj za premikanje.

**OPOZORILO!** Stroj priključite na vodovodno omrežje.

Prepričajte se, da je vstopni tlak vode med 0,01 MPa in 0,4 MPa.

Vstopna cev mora biti dolga vsaj 5 M. Če je cev poškodovana, je ne uporabljajte.



**⚠ WARNING** Stroj ni primeren za priključitev neposredno na omrežje pitne vode.

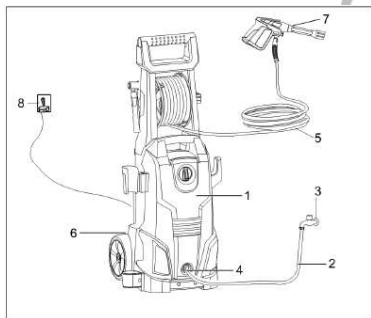
**OPOZORILO!** Pred izvajanjem uporabniškega vzdrževanja odklopite iz električnega omrežja.

Če je omrežni kabel poškodovan, ga mora zamenjati proizvajalec, njegov servisni zastopnik ali podobno usposobljena oseba, da se izognete nevarnosti.

## Povezava

1. Visokotlačno cev priključite na izhod za tlačno vodo stroja.
2. Pršilni ročaj pritrдите na visokotlačno cev. Pred uporabo stroja se prepričajte, da je visokotlačna cev popolnoma odvita. Med delovanjem stroja cev ne sme biti zankasta.
3. Namestite šobo ali drugo opremo, ki jo želite uporabljati.
4. Stroj priključite na napajanje z vodo in električno energijo.

### Namestitev, električni in vodovodni priključki

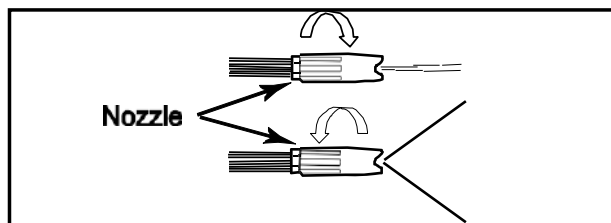


1. Tlačni čistilnik
  2. Cev za dovod vode
  3. Priključek za vodo
  4. Vhod vode
  5. Visokotlačna cev
  6. Izhod za vodo
  7. Razpršilna pištola
  8. Napajanje
- \* Številke 2, 3, 8 niso vključene

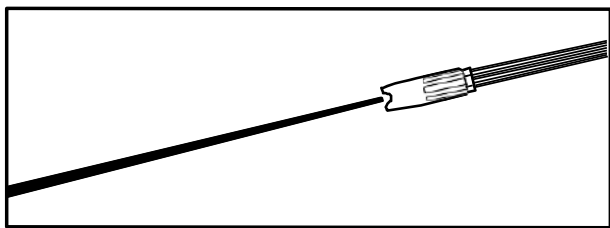
## Pred operacijo

### Prilaganje vzorca ventilatorja

Pri nekaterih šobah je mogoče z vrtenjem šobe prilagoditi kot pršenja, ki izhaja iz šobe. S tem se spreminja vzorec pršenja od približno 0° ozkega visoko udarnega curka do 60° širokega ventilatorskega pršenja (glejte sliko 2).



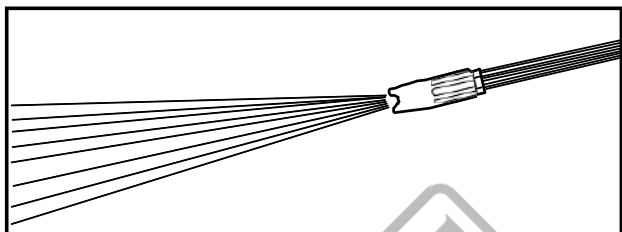
**Slika 2 - Nastavitev šobe za vzorec ventilatorja (ne velja za nekatere šobe)**



Slika 3 - Ozek tok z velikim vplivom

Ozek tok ima veliko udarno silo na čistilno površino in omogoča maksimalno globinsko čiščenje na zgoščenem območju. Vendar pa je treba ta ozek visok udarni curek uporabljati previdno, saj lahko poškoduje nekatere površine.

Široki ventilatorski vzorec razporedi učinek vode na večjo površino, kar omogoča odlično čiščenje z manjšo nevarnostjo poškodb površine.

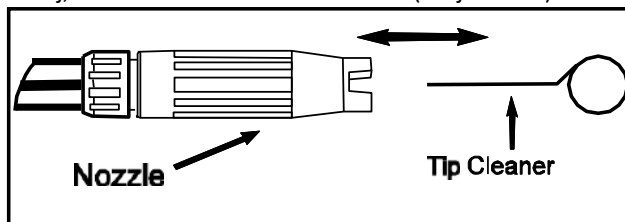


Slika 4 - Širok razpršilni vzorec

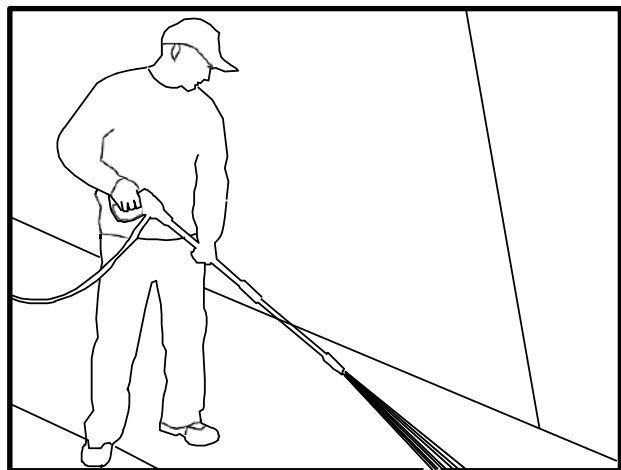
#### Navodila za čiščenje šob

Zamašena ali delno zamašena šoba lahko povzroči znatno zmanjšanje količine vode, ki priteče iz šobe, in pulziranje naprave med pršenjem. Čiščenje šobe:

- Izklopite in izključite napravo iz električnega omrežja.
- Izklopite dovod vode. Z 2-3-kratnim pritiskom na sprožilec sprostite morebitni pritisk v cevi.
- Ločite kopje od pištole.
- Zavrtite šobo na nastavev za ozek tok. S tem se odprejo lopatice ventilatorja.
- S priloženim čistilom za konice ali z razgrnjeno sponko za papir vstavite žico v odprtino šobe in jo premikajte naprej in nazaj, dokler ne odstranite ostankov. (Glej sliko 5.)



Slika 5 - Vstavite čistilno konico v odprtino šobe in jo premikajte naprej in nazaj, dokler se ne odstranijo ostanki.



Slika 6 - Optimalni kot za čiščenje površin

Dodatne nečistoče odstranite s povratnim izpiranjem vode skozi šobo. To storite tako, da konec vrtno cevi (s tekočo vodo) za 30-60 sekund postavite na konec šobe.

#### Kot do čistilne površine

Pri pršenju vode na površino se največji učinek ustvari, ko voda udarja ob površino "z glavo". Vendar se pri tej vrsti udarcev delci umazanije vtisnejo v površino in tako preprečijo želeno čiščenje. Optimalni kot za pršenje vode na čistilno površino je 45 stopinj.

Razprševanje vode na površino pod tem kotom zagotavlja najboljšo udarno silo in učinkovito odstranjevanje nečistoč s površine.

### Oddaljenost od čistilne površine

Drugi dejavnik, ki določa udarno silo vode, je razdalja od razpršilne šobe do čistilne površine. Udarna sila vode se poveča, ko se šoba približa površini.

### Kako preprečiti poškodbe površin

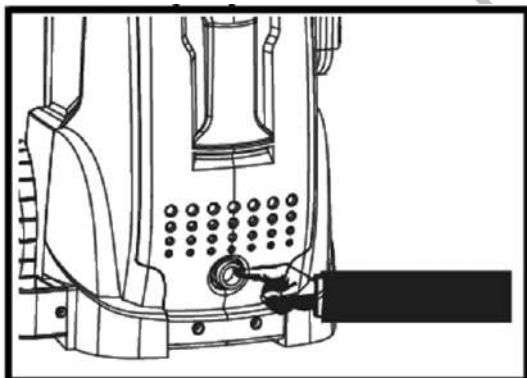
Do poškodb na čistilnih površinah pride, ker je moč udarca vode večja od vzdržljivosti površine. Udarno silo lahko spreminjate z nadzorom treh prej omenjenih elementov. Na površini, ki je dovzetna za poškodbe, nikoli ne uporabljajte ozkega visokega udarnega curka ali turbo/rotacijske šobe. Izogibajte se pršenju oken z ozkim visokim udarnim curkom ali turbo šobo, saj lahko to povzroči razbitje. Najzanesljivejši način, da se izognete poškodbam površin, je, da upoštevate naslednje korake:

1. Preden sprožite pištolo, nastavite šobo na širok ventilatorski vzorec.
2. Postavite šobo približno 4 do 5 čevljev od površine za čiščenje in pod kotom 45 stopinj od nje ter sprožite pištolo.
3. Spreminjajte kot razprševanja ventilatorskega vzorca in razdaljo do čistilne površine, dokler ne dosežete optimalne učinkovitosti čiščenja, ne da bi poškodovali površino.

### Turbo šoba (ni vključena pri vseh modelih)

Turbinska šoba, včasih imenovana tudi rotacijska šoba, je zelo učinkovito orodje, ki lahko znatno skrajša čas čiščenja. Turbo šoba združuje moč ozkega visoko udarnega curka in učinkovitost 25-stopinjskega ventilatorskega vzorca. Ta vrtniči ozek visokoudarni tok v stožčasto obliko, ki očisti večjo površino.

**POZOR:** Ker turbo šoba uporablja ozek visok udarni curek, jo uporabljajte samo pri aplikacijah, kjer se površina čiščenja ne more poškodovati zaradi ozkega visokega udarnega curka. Poleg tega turbo šoba NI nastavljiva in je ni mogoče uporabljati za nanašanje čistil.



Slika 7

### Filter za dovod vode

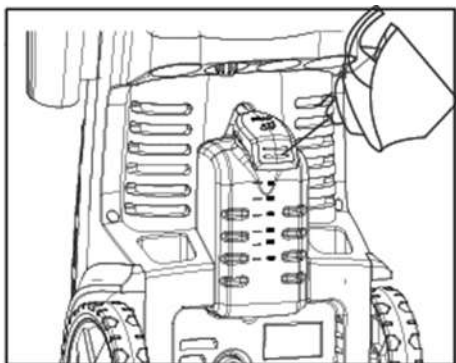
Filter za dovod vode je treba redno pregledovati, da se prepreči zamašitev in omejitev dovoda vode v črpalko (slika 7).

### Detergenti

Uporaba detergentov lahko bistveno skrajša čas čiščenja in pomaga pri odstranjevanju težkih madežev. Nekatera čistila so prilagojena za uporabo tlačnih čistilnikov pri posebnih nalogah čiščenja. Ti detergenti so približno tako gosti kot voda. Uporaba gostejših detergentov, kot je na primer pomivalno milo, zamaši sistem za vbrizgavanje kemikalij in prepreči uporabo detergenta.

Čistilna moč detergentov izhaja iz tega, da jih nanesete na površino in daste kemikalijam čas, da razgradijo umazanijo in umazanijo. Detergenti delujejo najbolje, če jih uporabljate z nizkim tlakom.

Kombinacija kemičnega delovanja in izpiranja pod visokim tlakom je zelo učinkovita. Na navpičnih površinah začnite nanašati detergent od spodaj navzgor. Tako preprečite, da bi pralno sredstvo zdrsnilo navzdol in povzročilo proge. Tudi izpiranje z visokim pritiskom mora potekati od spodaj navzgor. Pri posebno trdih madežih bo morda treba uporabiti krtačo v kombinaciji z detergenti in izpiranjem pod visokim tlakom.

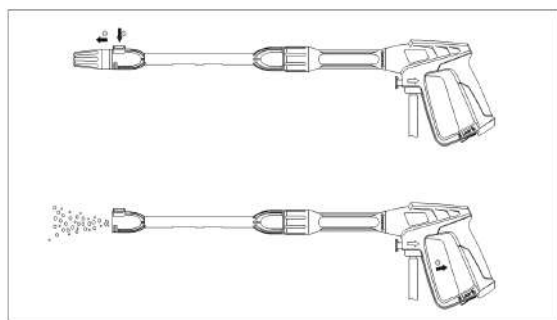


Slika 8

### Uporaba detergenta

V posodo dodajte detergent. Nastavljivo razpršilno palico nastavite na položaj nizkega tlaka. (Slika 8)

Sprožite pištolo, da razpršite detergent.



Slika 9

### Metoda čiščenja s peno

Prepričajte se, da ste čistilno raztopino vstavili v vgrajeno sesalno posodo in odstranili konico, kot je prikazano na sliki 9.

## Operacija

Naslednji postopek čiščenja vam bo pomagal organizirati čiščenje in zagotoviti, da boste v najkrajšem času dosegli najboljše rezultate.

Ne pozabite uporabljati prej navedenih tehnik škropljenja/čiščenja.

### 1. Priprava površine

Pred začetkom čiščenja s tlačnim pranjem je treba pripraviti površino, ki jo je treba očistiti. To storite tako, da območje očistite pohištva ter poskrbite, da so vsa okna in vrata dobro zaprta. Poleg tega morate poskrbeti, da so vse rastline in drevesa, ki mejijo na območje čiščenja, zaščitene s krpo. S tem boste zagotovili, da čistila ne bodo razpršila vaših rastlin.

### 2. Začetno visokotlačno izpiranje

Naslednji korak je razpršiti čistilno površino z vodo, da odstranite morebitno umazanijo ali umazanijo, ki se je nabrala na površini. To bo čistilnemu sredstvu omogočilo, da se loti globoke umazanije, ki je prodrla na čistilno površino. Preden sprožite pištolo, nastavite šobo na širok razpršilni vzorec in ga počasi prilagodite na želeni razpršilni vzorec. Tako se boste izognili uporabi preveč koncentriranega pršila na površini, kar bi lahko povzročilo poškodbe.

### 3. Končno izpiranje

Zadnje izpiranje začnite na dnu in nadaljujte navzgor. Prepričajte se, da ste površino temeljito izprali in da ste odstranili vse detergente.

#### 4. Izklop

1. Prepričajte se, da je iz sistema izplavljen ves detergent.
2. Izklopite motor.
3. Izklopite dovod vode.
4. Ko sta motor in dovod vode izklopljena, sprožite pištolo, da sprostite tlak v sistemu.

**OPOZORILO:** NIKOLI ne izklopite dovoda vode pred izklopom motorja. Lahko pride do resne poškodbe črpalke in/ali motorja.

**OPOZORILO!** NIKOLI ne odklopite visokotlačne izpustne cevi s stroja, ko je sistem pod tlakom. Če želite zmanjšati tlak, izklopite motor, izklopite dovod vode in 2-3-krat pritisnite sprožilec pištole.

5. Po vsaki uporabi obrišite vse površine tlačnega čistilnika s čisto, vlažno krpo.

### 5. Shranjevanje

Tlačnega čistilnika ne shranjujte na prostem.

Tlačnega čistilnika ne shranjujte na mestih, kjer bi lahko zamrznil.

## Nasveti za podaljšanje življenjske dobe tlačnega čistilnika

1. Naprave nikoli ne uporabljajte brez vode.
2. Tlačni čistilnik ni namenjen črpanju vroče vode. Nikoli ga ne priključite na dovod vroče vode - to bo znatno skrajšalo življenjsko dobo črpalke.
3. Uporaba detergenta druge blagovne znamke lahko povzroči poškodbe sestavnih delov črpalke (O-obročki itd.). To velja tudi za kemikalije, kot so belilo, milo za posodo itd.
4. Nikoli ne uporabljajte naprave več kot eno (1) minuto, ne da bi razpršili vodo. Nastalo kopičenje toplote lahko poškoduje črpalko.
5. Pred nastavitvijo tlaka v šobi (od visokega do nizkega ali od nizkega do visokega) sprostite sprožilec. Če tega ne storite, se skrajša življenjska doba tesnilnih obročkov v kopju.

## Odpravljanje težav

Problem	Možen vzrok	Resolucija
Tlačni čistilnik se ne zažene	<ol style="list-style-type: none"> <li>1. V enoti se je povečal tlak.</li> <li>2. Vtič ni dobro priključen ali je električna vtičnica okvarjena</li> <li>3. Podaljševalni kabel je predolg ali pa je velikost žice premajhna</li> <li>4. Glavna napajalna napetost je prenizka</li> <li>5. Toplotna zaščita se je sprožila</li> </ol>	<ol style="list-style-type: none"> <li>1. Pritisnite sprožilec na pištoli</li> <li>2. Preverite vtič, vtičnico in varovalko</li> <li>3. Odstranite podaljšek</li> <li>4. Preverite, ali je napajalna napetost ustrezna.</li> <li>5. Izklopite enoto in počakajte, da se motor ohladi.</li> </ol>
Črpalka ne doseže potrebnega tlaka	<ol style="list-style-type: none"> <li>1. Filter za dovod vode je zamašen</li> <li>2. Črpalka sesa zrak iz priključkov cevi</li> <li>3. Šoba je obrabljena ali ni pravilne velikosti</li> <li>4. Odlagalnik je zamašen ali obrabljen</li> <li>5. ventili so zamašeni ali obrabljeni</li> </ol>	<ol style="list-style-type: none"> <li>1. Očistite vhodni filter za vodo</li> <li>2. Preverite, ali so priključki in zaporni obroč pravilno zategnjeni.</li> <li>3. Pokličite prodajalca</li> <li>4. Pokličite prodajalca</li> <li>4. Pokličite prodajalca</li> </ol>
Nihajoči tlak	<ol style="list-style-type: none"> <li>1. Črpalka sesa zrak</li> <li>2. Zamašena šoba</li> <li>3. ventili so umazani, obrabljeni ali zatakneni</li> <li>4. Obrabljena vodna tesnila</li> </ol>	<ol style="list-style-type: none"> <li>1. Preverite, ali so cevi in priključki tesni.</li> <li>2. Očistite s čistilom za konice</li> <li>3. Pokličite prodajalca</li> <li>4. Pokličite prodajalca</li> </ol>
Motor se nenadoma ustavi	<ol style="list-style-type: none"> <li>1. Podaljševalni kabel je predolg ali pa je velikost žice premajhna</li> <li>2. Toplotno varnostno stikalo se je sprožilo zaradi pregrevanja</li> </ol>	<ol style="list-style-type: none"> <li>1. Odstranite podaljšek</li> <li>2. Preverite, ali napajalna napetost ustreza specifikacijam naprave.</li> </ol>





**FIGYELMEZTETÉS:** Ne használja a gépet a használati utasítás elolvasása nélkül!

## Alkalmazás

A HORDOZHATÓ NYOMÓS MOSÓGÉP egy rendkívül speciális, többfunkciós gép, amely kivételesen megbízható biztonsági garanciával rendelkezik, és amelyet ellenőrizni kell, mielőtt autót, kerékpár és egyéb kültéri berendezések vagy kerti teraszok, üvegházak stb. mosására és tisztítására használnák.

### Biztonság és figyelmeztetések

#### Automatikus ON/OFF:

Ennek a magasnyomású mosónak a motorja nem működik folyamatosan. Csak akkor jár, amikor a szórópisztoly ravaszát megnyomja. Miután követte a jelen kézikönyvben leírt indítási eljárásokat, kapcsolja be a magasnyomású mosót, és aktiváláshoz nyomja meg a ravaszt. További részletekért lásd a jelen kézikönyv "Használati utasítás" című részét.

#### ⚠️ WARNING

Az elektromos csatlakozást szakképzett személynek kell elvégeznie, és meg kell felelnie az IEC 60364-1 szabványnak. A gép elektromos ellátásának tartalmaznia kell vagy egy hibaáram-védelmi berendezést, amely megszakítja az áramellátást, ha a föld felé irányuló szivárgási áram 30 mA-t meghaladja 30 ms alatt, vagy egy olyan berendezést, amely igazolja a földelési áramkört.

#### ⚠️ WARNING

A baleset (pl. tisztítószerrel való érintkezés: bőséges mennyiségű tiszta vízzel öblítse le) vagy meghibásodás esetén követendő üzemeltetési módszer a veszélyes helyzetek megelőzése érdekében.

#### ⚠️ WARNING

Ennek a magasnyomású mosónak a motorja NEM fog működni, hacsak nem nyomja meg a ravaszt.

## Biztonsági irányelvek

Ez a kézikönyv olyan információkat tartalmaz, amelyek ismerete és megértése nagyon fontos.

Ez az információ a BIZTONSÁG és a KÉSZÜLÉKPROBLÉMÁK ELLENŐRZÉSE érdekében készült. Az információk felismerésének megkönnyítése érdekében vegye figyelembe a következő szimbólumokat.

#### ⚠️ DANGER

A Veszély olyan közvetlen veszélyhelyzetet jelez, amely, ha nem kerüljük el, halálhoz vagy súlyos sérüléshez vezethet.

#### ⚠️ WARNING

A figyelmeztetés olyan potenciálisan veszélyes helyzetet jelez, amely, ha nem kerüljük el, halálhoz vagy súlyos sérüléshez vezethet.

#### ⚠️ CAUTION

A figyelmeztetés olyan potenciálisan veszélyes helyzetet jelez, amely, ha nem kerüljük el, kisebb vagy közepes sérülést okozhat.

#### NOTICE

Különleges figyelmet igénylő információk.

### Fontos biztonsági utasítások



**MENTS D EL EZEKET AZ UTASÍTÁSOKAT!**

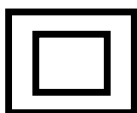
#### ⚠️ WARNING

A gép használatakor mindig figyelembe kell venni a következő óvintézkedéseket:

1. A gép használata előtt olvassa el az összes használati utasítást.
2. A sérülésveszély csökkentése érdekében szoros felügyeletre van szükség, ha a gépet gyermekek közelében használják.
3. A gép egységének szétszerelése vagy javítása előtt MINDIG válassza le az áramellátást.
4. Kövesse az összes biztonsági előírást, valamint a munkahelyi biztonsági és egészségügyi törvényt (OSHA).
5. A gép használata előtt győződjön meg arról, hogy a biztonsági berendezések megfelelően működnek. NE távolítsa el vagy módosítsa el a gép pisztolyának vagy egységének bármely részét.
6. Tudja, hogyan kell leállítani ezt a gépet és gyorsan levezetni a nyomást. Ismerje meg alaposan a kezelőszerveket.
7. Maradjon éber - figyeljen arra, hogy mit csinál.

8. Ne működtesse a gépet fáradtan, illetve alkohol vagy kábítószer hatása alatt.
  9. Tartsa a működési területet mindenki számára szabadon.
  10. Ne nyúljon túl magasra, és ne álljon instabil támaszra. Mindig tartsa meg a jó lábtartást és az egyensúlyt.
  11. Kövesse a kézikönyvben megadott karbantartási utasításokat.
  12. Használja a mellékelt vagy a gyártó által ajánlott tisztítószert.
  13. A gépet használat, szállítás, összeszerelés, szétszerelés közben csak stabil helyre tegye. Ne bánjon durván a géppel szállítás közben.
  14. baleset esetén (pl. mosószerrel való érintkezés, bőséges tiszta vízzel való öblítés), kérjük, mindig kapcsolja ki a gépet, és húzza ki a dugót a konnektorból, és válassza ki a vízzel való csatlakozást.
  15. A gépet nem szabad ivóvízhálózatra csatlakoztatni. Szükség esetén csak az IEC 61770 szabvány szerint jóváhagyott beömlőtömlő-készletet használjon.
- Injekció vagy súlyos sérülés veszélye. Tartsa távol a fúvókától. Ne lövellje a sugárnyalábokat személyekre. Ezt a gépet csak képzett kezelők használhatják. Mindig vegye ki a lándzsát a pisztolyból, mielőtt a törmeléket megtisztítja a hegyéről.
- Tartsa távol a fúvókától. Soha ne irányítsa a nagynyomású permetet emberre, állatra vagy önmagára.
  - Mindig viseljen védőszemüveget vagy védőszemüveget és védőruházatot, amikor a készüléket üzemelteti vagy karbantartást végez.
  - Soha ne tegye a kezét vagy ujjait a szórófej fölé a készülék működtetése közben.
  - Soha ne próbálja megállítani vagy eltéríteni a szivárgást semmilyen testrészével.
  - A kioldó reteszelését mindig kapcsolja be a biztonságos állásba, még akkor is, ha a permetezés egy pillanatra leállt.
  - A mosószer megfelelő használatához mindig kövesse a mosószer gyártójának címkeajánlásait. Mindig védje a szemet, a bőrt és a légzőszerveket a mosószer használatával szemben.

**⚠WARNING**



**Kettős szigetelésű gép karbantartása**

A kettős szigetelésű gépben a földelés helyett két szigetelési rendszer van. A kettős szigetelésű géphez nem kell földelőeszközöket biztosítani, és a géphez nem is kell földelőeszközöket hozzáadni. A kettős szigetelésű gép karbantartása rendkívüli gondosságot és a rendszer ismeretét igényli, és csak szakképzett szervizszemélyzet végezheti.

A kettős szigetelésű gép cserelkatrészeinek meg kell egyezniük az eredeti alkatrészekkel. A kettős szigetelésű gépet a "Dupla szigetelés" vagy "Dupla szigetelés" felirat jelöli. A gépet az 1. ábrán látható szimbólummal is jelölhetik.

**FIGYELEM!** Ne használjon olyan nyomást, amely meghaladja a nyomás alatt álló rendszerben lévő bármely alkatrész (tömlők, szerelvények stb.) üzemi nyomását. Győződjön meg arról, hogy minden berendezés és tartozék a készülék maximális üzemi nyomásának elviselésére van méretezve.

**FIGYELMEZTETÉ!** Robbanásveszély. Soha ne permetezzen gyúlékony folyadékokat, és ne használja a magasnyomású mosót olyan területeken, ahol gyúlékony por, folyadékok vagy gőzök vannak. Soha ne üzemeltesse a gépet zárt épületben vagy robbanásveszélyes környezetben vagy annak közelében.

**FIGYELEM!** Ne permetezzen elektromos készülékeket és vezetékeket.

- Soha ne válassza le a nagynyomású leeresztő tömlőt a gépről, amíg a rendszer nyomás alatt van. A gép nyomásmentesítéséhez kapcsolja ki az áramellátást és a vízellátást, majd nyomja meg a pisztoly kioldóját 2~3 alkalommal.
- Soha ne kapcsolja be tartósan a fegyver ravaszmechanizmusát.
- Soha ne működtesse a gépet anélkül, hogy az összes alkatrész megfelelően csatlakoztatva lenne a géphez (fogantyú, pisztoly/pálca egység, fúvóka stb.).

**FIGYELEM!** A berendezés károsodása.

- **MINDIG** kapcsolja be a vízellátást, mielőtt bekapcsolja a magasnyomású mosót. A szivattyú szárazra futtatása súlyos károkat okoz.
- Ne működtesse a magasnyomású mosót a bemeneti vízsűrű eltávolításával. Tartsa tisztán a szűrőt a törmeléktől és az üledéktől.
- Soha ne működtesse a magasnyomású mosót törött vagy hiányzó alkatrészekkel. Rendszeresen ellenőrizze a berendezést, és azonnal javítsa vagy cserélje ki a kopott vagy sérült alkatrészeket.
- Csak a géphez mellékelt fúvókát használja.
- Soha ne hagyja felügyelet nélkül a pálcát a gép működése közben.
- Soha ne próbálja megváltoztatni a gyári beállításokat.

A gyári beállítások megváltoztatása károsíthatja a készüléket, és érvényteleníti a garanciát.

- A gép indításakor és működtetésekor mindig tartsa erősen a pisztolyt és a pálcát.
- **SOHA** ne hagyja a készüléket egy (1) percnél tovább működni a kioldó gomb kioldásával (kikapcsolt állapotban). A keletkező hőfelhalmozódás károsítja a szivattyút.
- A magasnyomású mosónak nem szabad forró vizet pumpálnia. **SOHA** ne csatlakoztassa forróvíz-ellátáshoz, mivel ez jelentősen csökkenti a szivattyú élettartamát.
- **SOHA** ne tárolja a magasnyomású mosót a szabadban vagy olyan helyen, ahol megfagyhat. A szivattyú súlyosan károsodhat.

- Kioldó kioldása a nagynyomású üzemmódról alacsony nyomású üzemmódra való váltáskor. Ennek elmulasztása károsodást okozhat.
- A gép bekapcsolásakor ügyeljen a vízszugár által okozott visszarúgásra.

**FIGYELMEZTETÉS:** Tartsa a tömlőt távol az éles tárgyaktól. A tömlők kiszakadása sérülést okozhat. Rendszeresen vizsgálja meg a tömlőt, és sérülés esetén cserélje ki.

Ne próbálja megjavítani a sérült tömlőt.

### Hosszabbító kábelek

Hosszabbító kábel használata nem ajánlott. Csak kültéri használatra szánt hosszabbítót használjon. Ezeket a "Kültéri gépekkel való használatra elfogadható; használaton kívül beltérben tárolja" jelöléssel azonosítják. Csak olyan hosszabbítót használjon, amelynek elektromos teljesítménye legalább a gép teljesítményével megegyező, vagy annál nagyobb. Ne használjon sérült hosszabbítót. Használat előtt vizsgálja meg a hosszabbító kábelt, és sérülés esetén cserélje ki. Ne éljen vissza a hosszabbító kábellel. Ne húzza meg a kábelt a kihúzáshoz. Tartsa a kábelt távol a hőtől és az éles szélektől. Mindig húzza ki a kábelt a konnektorból, mielőtt a gépet leválasztja a hosszabbítóról.

**⚠ DANGER** Ezen utasítások be nem tartása súlyos sérülést, akár halált is okozhat.



**⚠ WARNING** Az áramütés veszélyének csökkentése érdekében minden csatlakozást tartson szárazon és a földtől távol. Ne érintse meg a dugót nedves kézzel.

A gépeket gyermekek nem használhatják. A gyermekeket felügyelni kell, hogy ne játsszanak a géppel. Ezt a gépet nem olyan személyek (beleértve a gyermekeket is) általi használatra szánják, akik csökkent fizikai, érzékszervi vagy szellemi képességekkel rendelkeznek, vagy nem rendelkeznek kellő tapasztalattal és ismeretekkel.

**FIGYELEM!** Ezt a gépet a gyártó által szállított vagy ajánlott tisztítószerrel való használatra tervezték. Más tisztítószer vagy vegyszerek használata hátrányosan befolyásolhatja a gép biztonságát.

**FIGYELEM!** A nagynyomású fúvókák veszélyesek lehetnek, ha helytelen használatnak vannak kitéve. A fúvókát nem szabad személyek, feszültség alatt álló elektromos berendezések vagy maga a gép ellen irányítani.

**FIGYELEM!** Javasoljuk a kezelőnek, hogy viseljen fülvédőt.

**FIGYELEM!** Ne használja a gépet személyek hatósugarában, hacsak nem viselnek védőruházatot.

**FIGYELEM!** Ne irányítsa a sugárnyalábot saját maga vagy mások ellen ruházat vagy lábbeli tisztítása céljából.

**FIGYELEM!** Robbanásveszély - Ne permetezzen gyúlékony folyadékokat.

**FIGYELEM!** A nagynyomású tisztítószerket nem használhatják gyermekek vagy képzetlen személyzet.

**FIGYELEM!** A nagynyomású tömlők, szerelvények és csatlakozók fontosak a gép biztonsága szempontjából. Csak a gyártó által ajánlott tömlőket, szerelvényeket és csatlakozókat használjon.

**FIGYELEM!** A gép biztonsága érdekében csak a gyártótól származó vagy a gyártó által jóváhagyott eredeti pótalkatrészeket használjon.

**FIGYELEM!** A visszafolyásgátlókon átfolyó víz nem ivóvíznek minősül.

**FIGYELEM!** A gépet tisztítás vagy karbantartás közben, valamint a gép más funkcióra történő átállításkor a konnektorból a dugót kihúzva le kell választani az áramforrásról.

**FIGYELEM!** Ne használja a gépet, ha a tápkábel vagy a gép fontos alkatrészei, pl. biztonsági berendezések, nagynyomású tömlők, kioldópisztoly sérültek.

**FIGYELEM!** Hosszabbító kábel használata esetén a dugónak és a csatlakozónak vízzáró kivitelűnek kell lennie.

**FIGYELEM!** A nem megfelelő hosszabbító vezetékek veszélyesek lehetnek. Ha hosszabbítót használ, annak kültéri használatra alkalmasnak kell lennie, és a csatlakozást szárazon és a földtől távol kell tartani. Ajánlott, hogy ezt egy olyan zsinórtekerccs segítségével érje el, amely az aljzatot legalább 60 mm-rel a talaj felett tartja.

**FIGYELEM!** A hőkapcsoló véletlen visszaállítása miatti veszély elkerülése érdekében ezt a készüléket nem szabad külső kapcsolóberendezésen, például időzítőn keresztül táplálni, vagy olyan áramkörhöz csatlakoztatni, amelyet a közmű rendszeresen be- és kikapcsol.

**FIGYELEM!** A gépet 0 fok feletti hőmérsékleten való használatra szánták. (Csak a H05VV-F tápkábelrel ellátott gép esetében).

**FIGYELEM!** A gép biztonsága érdekében csak a gyártótól származó vagy a gyártó által jóváhagyott eredeti pótalkatrészeket (beleértve a fúvókát is) használjon. Ne használja a gépet, mielőtt kicserélte őket, ha sérültek.

**FIGYELEM!** A kioldópisztoly kinyitáskor ügyeljen a szóróegységre ható visszarúgó erő veszélyére, és a pisztolyt erősen fogja meg kezével.

**FIGYELEM!** A gép mozgatása és szerelése során a gépnek síkban kell lennie. A gép mozgatásakor a fogantyút meghúzáva mozgatja a gépet.

**FIGYELEM!** Csatlakoztassa a gépet a vízellátáshoz.

Győződjön meg róla, hogy a bemeneti víznyomás 0,01MPa és 0,4MPa között marad.

A bemeneti csőnek legalább 5 M hosszúnak kell lennie. Ne használja a csövet, ha a cső sérült.



**WARNING** A gép nem alkalmas közvetlen ivóvízhálózatra való csatlakozásra.

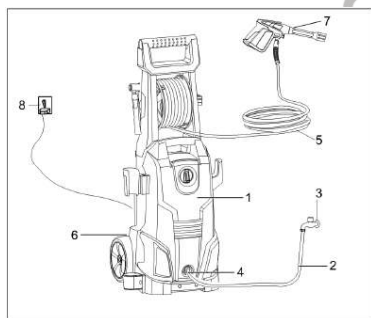
**FIGYELEM!** A felhasználói karbantartási munkák elvégzése előtt válassza le az elektromos hálózatról.

Ha a hálózati kábel megsérül, azt a gyártónak, vagy annak szervizének, illetve hasonlóan képzett személynek kell kicserélnie a veszély elkerülése érdekében.

## Kapcsolat

1. Csatlakoztassa a nagynyomású tömlőt a gép nyomóvízkivezető nyílásához.
2. Csatlakoztassa a szórónyelet a nagynyomású tömlőhöz. A gép üzemeltetése előtt győződjön meg arról, hogy a nagynyomású tömlő teljesen feltekeredett. A gép működése közben a tömlőnek nem szabad hurokban lennie.
3. Szerelje fel a fúvókát vagy bármely más használni kívánt berendezést.
4. Csatlakoztassa a gépet a víz- és áramellátáshoz.

### Szerelés, elektromos és vízcsatlakozások



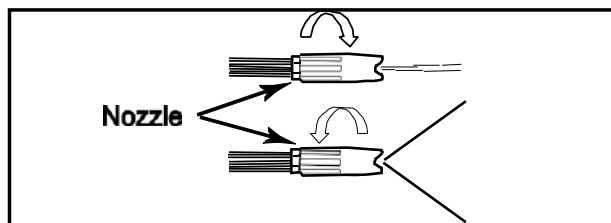
1. Nyomástisztító
2. Vízellátó tömlő
3. Vízcsatlakozás
4. Vízbevezetés
5. Nagynyomású cső
6. Vízkivezetés
7. Permetezőpisztoly
8. Tápegység

\* A 2., 3., 8. sz. nem tartalmazza a csomagot.

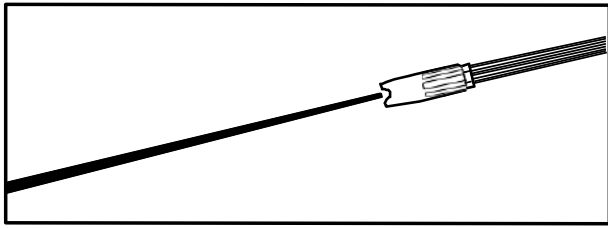
## Művelet előtti

### A ventilátor mintázatának beállítása

Néhány lándzsánál a fúvóka elforgatásával beállítható a lándzsából kijövő permet szöge. Ezáltal a szóráskép a körülbelül 0°-os keskeny, nagy hatású sugárzástól a 60°-os széles, legyezőszerű szórásig változhat (lásd a 2. ábrát).



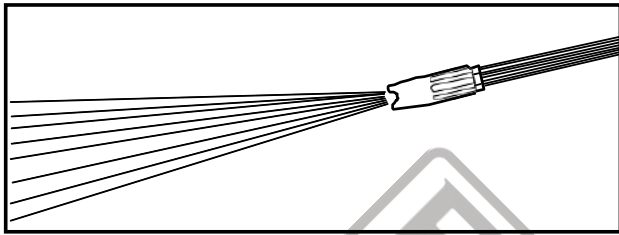
2. ábra - A fúvóka beállítása a ventilátor mintázatához (nem alkalmazható egyes fúvókáknál)



3. ábra - Szűk, nagy hatású patak

A keskeny sugár nagy ütőerővel hat a tisztítófelületre, és maximális mélytisztítást eredményez egy koncentrált területen. Ezt a keskeny, nagy ütőerejű permetet azonban óvatosan kell használni, mivel egyes felületeket károsíthat.

A széles ventilátoros mintázat nagyobb területen osztja el a víz hatását, ami kiváló tisztító hatást eredményez, a felületi sérülések kockázatának csökkentése mellett. A nagy felületeket gyorsabban lehet tisztítani a széles ventilátoros mintázat használatával.

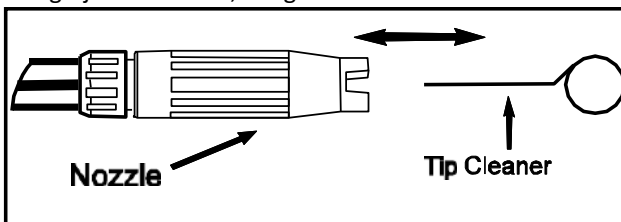


4. ábra - Széles szórási mintázat

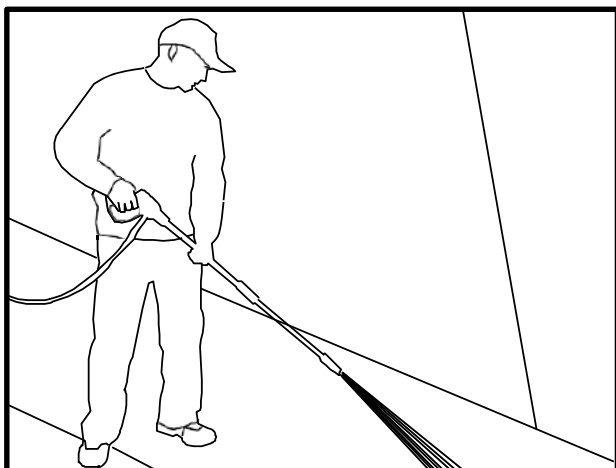
#### Fúvóka tisztítási utasítások

Az eltömődött vagy részben eltömődött fúvóka a fúvókából kijövő víz mennyiségének jelentős csökkenését okozhatja, és a készülék pulzálását okozhatja permetezés közben. A fúvóka kitisztítása:

- Kapcsolja ki és húzza ki a készüléket.
- Zárja el a vízellátást. Engedje le a tömlőben megrekedt nyomást a kioldó 2-3-szoros megnyomásával.
- Válassza el a lándzsát a pisztolytól.
- Forgassa a fúvókát a keskeny sugár beállítására. Ez megnyitja a ventilátorlapátokat.
- A mellékelt csúcstisztító vagy egy összehajtogatott gemkapocs segítségével dugja be a drótot a fúvóka nyílásába, és mozgatja előre-hátra, amíg a törmelék el nem távolodik. (Lásd az 5. ábrát.)



5. ábra - Helyezze a fúvókacsúcstisztítót a fúvóka nyílásába, és mozgassa előre-hátra, amíg a törmelék ki nem mozdul.



6. ábra - Optimális szög a felületek tisztításához

Távolítsa el a további szennyeződések a fúvókán keresztül történő visszaöblítéssel. Ehhez helyezze egy kerti tömlő végét (folyó vízzel) a fúvóka végére 30-60 másodpercre.

#### Szög a tisztítófelülethez képest

Amikor a vizet egy felületre permetezzük, a legnagyobb hatás akkor keletkezik, amikor a víz "fejfel előre" csapódik a felületre.

Ez a fajta ütközés azonban hajlamos arra, hogy a szennyeződés részecskék beágyazódjanak a felületbe, megakadályozva ezzel a kívánt tisztító hatást.

A víz optimális permetezési szöge a tisztítófelületre 45 fok.

A víz ilyen szögben történő permetezése a felületre a legkedvezőbb ütéserőt biztosítja a törmelék hatékony eltávolításával a felületről.

#### Távolság a tisztítófelülettől

A víz becsapódási erejét meghatározó másik tényező a szórófej és a tisztítandó felület távolsága. A víz ütéereje megnő, ahogy a fúvóka közelebb kerül a felülethez.

#### Hogyan kerüljük el a felületek károsodását

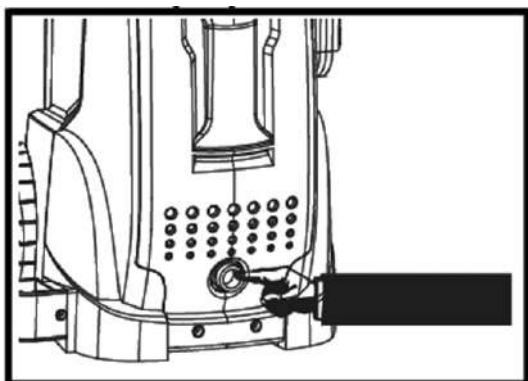
A tisztítandó felületek károsodása azért következik be, mert a víz becsapódási ereje meghaladja a felület tartósságát. A becsapódási erő az előzőekben említett három elem szabályozásával változtatható. Soha ne használjon keskeny, nagy ütéerejű vízugarat vagy turbó/rotációs fúvókát olyan felületen, amely sérülésre hajlamos. Kerülje az ablakok permetezését keskeny, nagy ütéerejű sugárral vagy turbófúvókával, mivel ez törést okozhat. A felületek károsodásának elkerülésének legbiztosabb módja az alábbi lépések betartása:

1. A pisztoly indítása előtt állítsa be a fúvókát széles legyezőmintázatra.
2. Helyezze a fúvókát a tisztítandó felülettől kb. 4-5 láb távolságra és 45 fokban a tisztítófelülethez képest, és indítsa el a pisztolyt.
3. Változtassa a ventilátor szórásszögét és a tisztítandó felülettől való távolságot, amíg el nem éri az optimális tisztítási hatékonyságot a felület károsítása nélkül.

#### Turbófúvóka (nem minden modellhez tartozik)

A turbófúvóka, amelyet néha forgófúvókának is neveznek, nagyon hatékony eszköz, amely jelentősen csökkentheti a tisztítási időt. A turbófúvóka egyesíti a keskeny, nagy ütéerejű sugár erejét és a 25 fokos ventilátormintázat hatékonyságát. Ez a keskeny, nagy ütéerejű áramlatot kúp alakúra kavarja, amely nagyobb területet tisztít meg.

**FIGYELMEZTETÉS:** Mivel a turbófúvóka keskeny, nagy erejű sugárnyalábot használ, csak olyan alkalmazásokban használja, ahol a tisztítandó felületet nem károsíthatja a keskeny, nagy erejű sugár. Ezenkívül a turbófúvóka NEM állítható, és nem használható tisztítószer felhordására.



7. ábra

#### Vízbeömlő szűrő

A vízbeömlő szűrőt rendszeresen ellenőrizni kell, hogy elkerülhető legyen a szivattyú vízellátásának eltömődése és korlátozása (7. ábra).

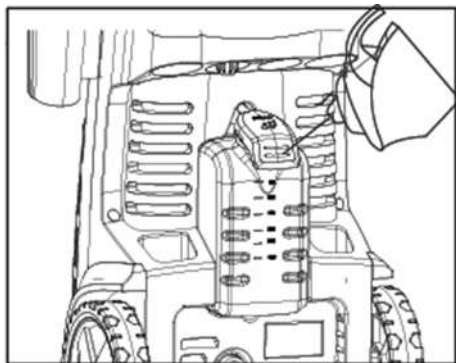
#### Mosószer

A tisztítószer használata jelentősen csökkentheti a tisztítási időt, és segíthet a nehéz foltok eltávolításában. Egyes tisztítószeret a magasnyomású mosógépek speciális tisztítási feladatokhoz való használatára szabtak. Ezek a tisztítószeret körülbelül olyan sűrűek, mint a víz. A sűrűbb tisztítószeret, például mosogatószerrel használatát eltömíti a vegyszerbefecskendező rendszert, és megakadályozza a tisztítószer alkalmazását.

A tisztítószeret tisztítóereje abból ered, hogy a felületre juttatjuk őket, és időt adunk a vegyi anyagoknak, hogy lebontsák a szennyeződések és a szemetet. A tisztítószer akkor működik a legjobban, ha alacsony nyomáson alkalmazzák őket.

A kémiai hatás és a nagynyomású öblítés kombinációja nagyon hatékony. Függőleges felületeken a tisztítószer alulról kezdve, felfelé haladva alkalmazza. Ez megakadályozza, hogy a mosószer lefelé csússzon és csíkokat okozzon. A nagynyomású öblítésnek szintén alulról felfelé kell haladnia. Különösen kemény foltok esetén szükség lehet ecset használatára a mosószerrel és a nagynyomású öblítéssel együtt.



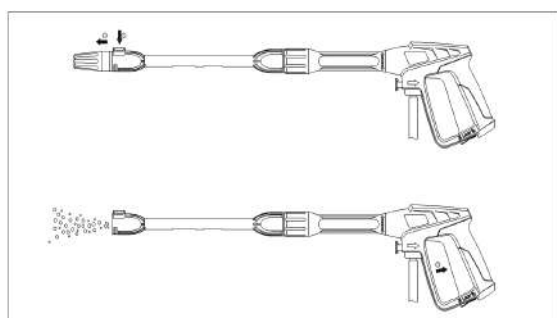


8. ábra

#### Mosószer használata

Adja hozzá a mosószert a tartályhoz. Állítsa az állítható szórópálcát alacsony nyomási pozícióba. (8. ábra)

Indítsa el a pisztolyt a mosószer permetezéséhez.



9. ábra

#### Habos tisztítási módszer

Ügyeljen arra, hogy a tisztítóoldatot a beépített szívóedénybe helyezze, és a 9. ábrán látható módon vegye ki a hegyet.

## Művelet

Az alábbi takarítási eljárás segít megszervezni a takarítási feladatot, és biztosítja, hogy a lehető legrövidebb idő alatt a legelőnyösebb eredményt érje el.

Ne feledje, hogy a korábban felsorolt permetezési/tisztítási technikákat használja.

### 1. Felület előkészítése

A magasnyomású tisztítás megkezdése előtt fontos, hogy előkészítse a tisztítandó felületet. Ez úgy történik, hogy megtisztítjuk a területet a bútoroktól, és meggyőződünk arról, hogy minden ablak és ajtó jól zárva van. Ezenkívül meg kell győződnie arról, hogy a tisztítási terület melletti összes növényt és fát egy lepedővel védi. Ez biztosítja, hogy a növényeit nem permetezik le a tisztítószerek.

### 2. Kezdeti nagynyomású öblítés

A következő lépés az, hogy a tisztítandó felületet vízzel permetezzük le, hogy eltávolítsuk a felületen összegyűlt szennyeződések és szennyeződések. Ez lehetővé teszi, hogy a tisztítószert megtámadja a mélyen a tisztítófelületbe jutott szennyeződések. A pisztoly indítása előtt állítsa a fúvókát széles legyező mintázatra, és lassan állítsa be a kívánt szórás képzet. Ez segít elkerülni, hogy túl sok koncentrált permetet juttasson a felületre, ami kárt okozhat.

### 3. Utolsó öblítés

Az utolsó öblítést alulról kezdje, és haladjon felfelé. Győződjön meg róla, hogy alaposan átöblítette a felületet, és hogy az összes mosószert eltávolította.

### 4. Lezárás

1. Győződjön meg róla, hogy minden tisztítószert kiürült a rendszerből.
2. Kapcsolja ki a motort.
3. Zárja el a vízellátást.
4. A motor és a vízellátás kikapcsolása után indítsa el a pisztolyt a rendszer nyomásmentesítéséhez.

**FIGYELMEZTETÉS:** Soha ne zárja el a vízellátást a motor kikapcsolása előtt. Súlyos károk keletkezhetnek a szivattyúban és/vagy a motorban.

**FIGYELMEZTETÉS!** Soha ne válassza le a nagynyomású leeresztő tömlőt a gépről, amíg a rendszer nyomás alatt van. A nyomásmentesítéshez kapcsolja ki a motort, zárja el a vízellátást, és nyomja meg a pisztoly ravaszát 2-3 alkalommal.

5. Minden használat után tiszta, nedves ruhával törölje át a magasnyomású mosó minden felületét.

### 5. Tárolás

Ne tárolja a magasnyomású mosót a szabadban.

Ne tárolja a magasnyomású mosógépet olyan helyen, ahol az befagyhat.

## Tippek a magasnyomású mosó élettartamának meghosszabbításához

1. Soha ne működtesse a készüléket víz nélkül.
2. A magasnyomású mosó nem arra való, hogy forró vizet pumpáljon. Soha ne csatlakoztassa forró vízellátáshoz - ez jelentősen csökkenti a szivattyú élettartamát.
3. Ha nem más márkájú mosószeret használ, az károsíthatja a szivattyú alkatrészeit (O-gyűrűk stb.). Ez vonatkozik az olyan vegyszerekre is, mint a fehérítőszer, mosogatószer stb.
4. Soha ne működtesse a készüléket egy (1) percnél tovább vízpermetezés nélkül. A keletkező hőfelhalmozódás károsítja a szivattyút.
5. A fúvóka nyomásának beállítása előtt (magasról alacsonyra vagy alacsonyról magasra) engedje ki a kioldó gombot. Ennek elmulasztása csökkenti a lándzsában lévő O-gyűrűk élettartamát.

### Hibaelhárítás

Probléma	Lehetséges ok	Felbontás
A magasnyomású mosó nem indul el	<ol style="list-style-type: none"> <li>1. A készülékben nyomás keletkezett</li> <li>2. A dugó nincs jól csatlakoztatva vagy az elektromos aljzat hibás</li> <li>3. A hosszabbító kábel túl hosszú vagy a vezeték mérete túl kicsi</li> <li>4. A főfeszültség-ellátás túl alacsony</li> <li>5. A termikus biztonság kioldott</li> </ol>	<ol style="list-style-type: none"> <li>1. Nyomja meg a ravaszt a fegyveren</li> <li>2. Ellenőrizze a dugót, a csatlakozóaljzatot és a biztosítékot</li> <li>3. Hosszabbító kábel eltávolítása</li> <li>4. Ellenőrizze, hogy a feszültségellátás megfelelő-e</li> <li>5. Kapcsolja ki a készüléket, és hagyja a motort lehűlni</li> </ol>
A szivattyú nem éri el a szükséges nyomást	<ol style="list-style-type: none"> <li>1. A vízbeömlő szűrő eltömődött</li> <li>2. A szivattyú levegőt szív a tömlőcsatlakozásokból</li> <li>3. A fúvóka kopott vagy nem megfelelő méretű</li> <li>4. Az üritő eltömődött vagy elhasználódott</li> <li>5. A szelepek eltömődtek vagy elhasználódtak</li> </ol>	<ol style="list-style-type: none"> <li>1. Tisztítsa meg a vízbeömlő szűrőt</li> <li>2. Ellenőrizze, hogy a csatlakozások és a rögzítőgyűrű megfelelően meg vannak-e húzva.</li> <li>3. Hívja a kereskedőt</li> <li>4. Hívja a kereskedőt</li> <li>4. Hívja a kereskedőt</li> </ol>
Ingadozó nyomás	<ol style="list-style-type: none"> <li>1. A szivattyú levegőt szív be</li> <li>2. Eltömődött fúvóka</li> <li>3. A szelepek piszkosak, kopottak vagy beragadtak</li> <li>4. Víz záró tömítések elhasználódtak</li> </ol>	<ol style="list-style-type: none"> <li>1. Ellenőrizze, hogy a tömlők és a csatlakozások tömörök-e</li> <li>2. Tisztítsa meg a csúcs tisztítószerezellel</li> <li>3. Hívja a kereskedőt</li> <li>4. Hívja a kereskedőt</li> </ol>
A motor hirtelen leáll	<ol style="list-style-type: none"> <li>1. A hosszabbító kábel túl hosszú vagy a vezeték mérete túl kicsi</li> <li>2. A termikus biztonsági kapcsoló túlmelegedés miatt kioldott</li> </ol>	<ol style="list-style-type: none"> <li>1. Hosszabbító kábel eltávolítása</li> <li>2. Ellenőrizze, hogy a tápfeszültség megfelelő-e a készülék specifikációinak</li> </ol>



**AVERTISMENT:** Nu utilizați aparatul fără a citi fișa de instrucțiuni!

## Aplicație

MAȘINA PORTABILĂ DE SPĂLAT CU PRESIUNE este o mașină multifuncțională foarte specializată, cu o garanție de siguranță extrem de fiabilă, care trebuie inspectată înainte de a putea fi utilizată pentru spălarea și curățarea mașinilor, a bicicletelor și a altor echipamente de exterior sau a teraselor din grădină, a caselor verzi etc.

### Siguranță și avertismente

#### Pornit/oprit automat:

Motorul acestui aparat de spălat cu presiune nu funcționează continuu. Acesta funcționează doar atunci când este apăsat trăgaciul pistolului de pulverizare. După ce ați urmat procedurile de pornire din acest manual, porniți mașina de spălat sub presiune și apăsați trăgaciul pentru activare. Pentru mai multe detalii, consultați secțiunea "Instrucțiuni de utilizare" din acest manual.

#### ⚠️ WARNING

Conexiunea de alimentare electrică trebuie realizată de o persoană calificată și trebuie să fie conformă cu IEC 60364-1. Alimentarea electrică a acestei mașini trebuie să includă fie un dispozitiv de curent rezidual care va întrerupe alimentarea în cazul în care curentul de scurgere la pământ depășește 30 mA timp de 30 ms, fie un dispozitiv care va dovedi circuitul de împământare.

#### ⚠️ WARNING

Metoda de operare care trebuie urmată în caz de accident (de exemplu, contactul cu detergenți: clătiți cu apă curată din abundență) sau de defecțiune pentru a preveni situațiile de nesiguranță.

#### ⚠️ WARNING

Motorul acestui aparat de spălat cu presiune NU va funcționa decât dacă este apăsat trăgaciul.

## Orientări de siguranță

Acest manual conține informații pe care este foarte important să le cunoașteți și să le înțelegeți.

Aceste informații sunt furnizate pentru SIGURANȚĂ și pentru a PREVENI PROBLEMELE DE ECHIPAMENTE. Pentru a vă ajuta să recunoașteți aceste informații, respectați următoarele simboluri.

#### ⚠️ DANGER

Pericol indică o situație periculoasă iminentă care, dacă nu este evitată, VA duce la deces sau la vătămări grave.

#### ⚠️ WARNING

Avertismentul indică o situație potențial periculoasă care, dacă nu este evitată, POATE duce la deces sau vătămări grave.

#### ⚠️ CAUTION

Atenție indică o situație potențial periculoasă care, dacă nu este evitată, POATE avea ca rezultat vătămări minore sau moderate.

#### NOTICE

Informații care necesită o atenție specială.

### Instrucțiuni importante de siguranță



#### PĂSTRAȚI ACESTE INSTRUCȚIUNI!

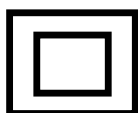
#### ⚠️ WARNING

Atunci când se utilizează aparatul, trebuie să se ia întotdeauna în considerare următoarele măsuri de precauție:

1. Citiți toate instrucțiunile înainte de a utiliza aparatul.
2. Pentru a reduce riscul de rănire, este necesară o supraveghere atentă atunci când un utilaj este utilizat în apropierea copiilor.
3. Deconectați ÎNTOTDEAUNA alimentarea cu energie electrică înainte de a dezambla sau repara unitatea mașinii.
4. Respectați toate codurile de siguranță, precum și Legea privind securitatea și sănătatea în muncă (OSHA).
5. Asigurați-vă că dispozitivele de siguranță funcționează corect înainte de a utiliza mașina. NU îndepărtați sau modificați nicio parte a pistolului sau a unității mașinii.
6. Să știți cum să opriți acest aparat și să eliminați rapid presiunea. Familiarizați-vă temeinic cu comenzile.
7. Rămâneți în alertă - fiți atenți la ceea ce faceți.
8. Nu folosiți mașina dacă sunteți obosit sau sub influența alcoolului sau a drogurilor.

9. Păstrați zona de operare liberă de orice persoană.
  10. Nu vă întindeți prea mult și nu stați pe un suport instabil. Păstrați în permanență o poziție bună și un echilibru bun.
  11. Respectați instrucțiunile de întreținere specificate în manual.
  12. Utilizați agentul de curățare furnizat sau recomandat de producător.
  13. Așezați aparatul numai pe un loc stabil în timpul utilizării, transportului, asamblării și dezasamblării. Nu manipulați dur mașina în timpul transportului.
  14. În orice caz de accident (de exemplu, în cazul contactului cu detergenți, clătiți cu apă curată din abundență), vă rugăm să opriți întotdeauna aparatul și să scoateți ștecherul din priză și să deconectați conexiunea cu apă.
  15. Aparatul nu este destinat să fie conectat la rețeaua de apă potabilă. Dacă este necesar, vă rugăm să folosiți numai seturi de furtunuri de admisie aprobate de IEC 61770.
- Risc de injectare sau de rănire gravă. Păstrați distanța față de duză. Nu aruncați jeturile de apă spre persoane. Acest utilaj trebuie utilizat numai de către operatori instruiți. Îndepărtați întotdeauna lancea din pistol înainte de a curăța resturile din vârf.
- Nu vă apropiați de duză. Nu îndreptați NICIODATĂ jetul de înaltă presiune spre persoane, animale sau spre dumneavoastră.
  - Purtați întotdeauna ochelari de protecție sau ochelari de protecție și îmbrăcăminte de protecție atunci când operați sau efectuați lucrări de întreținere.
  - Nu puneți niciodată mâna sau degetele peste vârful de pulverizare în timpul funcționării aparatului.
  - Nu încercați niciodată să opriți sau să deviați scurgeri cu vreo parte a corpului.
  - Activați întotdeauna zăvorul de siguranță al declanșatorului în poziția de siguranță, chiar și atunci când pulverizarea este oprită pentru un moment.
  - Respectați întotdeauna recomandările de pe eticheta producătorului de detergent pentru utilizarea corectă a detergenților. Protejați întotdeauna ochii, pielea și sistemul respirator de utilizarea detergenților.

## ⚠ WARNING



### Întreținerea unei mașini cu izolație dublă

La o mașină cu izolație dublă, în loc de împământare sunt prevăzute două sisteme de izolație. Nu sunt prevăzute mijloace de împământare pentru o mașină cu izolație dublă și nici nu trebuie adăugate mijloace de împământare la mașină. Întreținerea unei mașini cu izolație dublă necesită o atenție și o cunoaștere extremă a sistemului și trebuie efectuată numai de către personal de service calificat.

Piese de schimb pentru o mașină cu izolație dublă trebuie să fie identice cu piesele originale.

O mașină cu izolație dublă este marcată cu cuvintele "Izolație dublă" sau "Dublu izolat".

Mașina poate fi, de asemenea, marcată cu simbolul prezentat în figura 1.

**AVERTISMENT!** Nu utilizați o presiune care depășește presiunea de funcționare a oricăreia dintre piesele (furtunuri, fittinguri etc.) din sistemul presurizat. Asigurați-vă că toate echipamentele și accesoriile sunt proiectate pentru a rezista la presiunea maximă de lucru a unității.

**AVERTISMENT!** Pericol de explozie. Nu pulverizați niciodată lichide inflamabile și nu folosiți niciodată mașina de spălat cu presiune în zone care conțin praf, lichide sau vapori combustibili. Nu folosiți niciodată mașina într-o clădire închisă sau în sau în apropierea unui mediu exploziv.

**AVERTISMENT!** Nu pulverizați aparatele și cablurile electrice.

- Nu deconectați niciodată furtunul de refulare de înaltă presiune de la mașină în timp ce sistemul este presurizat. Pentru a depresuriza mașina, opriți alimentarea cu energie și cu apă, apoi apăsați de 2~3 ori trăgaciul pistolului.

- Nu angajați niciodată permanent mecanismul de declanșare al armei.
- Nu folosiți niciodată mașina fără ca toate componentele să fie conectate în mod corespunzător la mașină (mâner, ansamblul pistol/bandă, duză etc.).

**AVERTISMENT!** Deteriorarea echipamentului.

- Porniți ÎNTOTDEAUNA alimentarea cu apă înainte de a porni mașina de spălat cu presiune. Rularea pompei în gol provoacă daune grave.

- Nu folosiți mașina de spălat cu presiune dacă filtrul de intrare a apei este scos. Păstrați ecranul liber de resturi și sedimente.
- Nu folosiți NICIODATĂ mașina de spălat cu presiune cu piese rupte sau lipsă. Verificați periodic echipamentul și reparați sau înlocuiți imediat piesele uzate sau deteriorate.

- Utilizați numai duza furnizată cu acest aparat.

-Nu lăsați niciodată bagheta nesupravegheată în timp ce mașina este în funcțiune.

- Nu încercați niciodată să modificați setările din fabrică.

Modificarea setărilor din fabrică ar putea deteriora unitatea și va anula garanția.

- Țineți întotdeauna pistolul și bagheta ferm atunci când porniți și folosiți mașina.

- Nu lăsați NICIODATĂ unitatea să funcționeze cu declanșatorul eliberat (oprit) mai mult de un (1) minut.

Acumularea de căldură rezultată va deteriora pompa.

- Mașina de spălat cu presiune nu ar trebui să pompeze apă fierbinte. Nu o conectați NICIODATĂ la o sursă de apă caldă, deoarece aceasta va reduce semnificativ durata de viață a pompei.

- Nu depozitați NICIODATĂ mașina de spălat cu presiune în aer liber sau unde ar putea îngheța. Pompa va fi serios deteriorată.

- Eliberați declanșatorul la trecerea de la modul de presiune înaltă la cel de presiune joasă. În caz contrar, se pot produce daune.
- Fiți atenți la reculul provocat de jetul de apă atunci când mașina este pornită.

**ATENȚIE:** Țineți furtunul departe de obiecte ascuțite. Explozia furtunurilor poate provoca răniri. Examinați furtunul în mod regulat și înlocuiți-l dacă este deteriorat.

Nu încercați să reparați un furtun deteriorat.

### Cabluri de extensie

Nu se recomandă utilizarea unui prelungitor. Folosiți numai prelungitoare destinate utilizării în exterior. Acestea sunt identificate prin marcajul "Acceptabil pentru utilizarea cu mașini de exterior; depozitați-le în interior atunci când nu sunt utilizate". Utilizați numai prelungitoare care au o putere electrică egală sau mai mare decât puterea nominală a mașinii. Nu utilizați prelungitoare deteriorate. Examinați prelungitorul înainte de utilizare și înlocuiți-l dacă este deteriorat. Nu abuzați de prelungitoare. Nu trageți de cablu pentru a-l deconecta. Țineți cablul departe de căldură și de marginile ascuțite. Deconectați întotdeauna cablul de la priză înainte de a deconecta aparatul de la prelungitor.

### **⚠ DANGER**

Nerespectarea acestor instrucțiuni poate duce la vătămări grave, inclusiv la deces.



### **⚠ WARNING**

Pentru a reduce riscul de electrocutare, păstrați toate conexiunile uscate și departe de sol. Nu atingeți fișa cu mâinile umede.

Mașinile nu trebuie să fie folosite de copii. Copiii trebuie supravegheați pentru a se asigura că nu se joacă cu aparatul. Această mașină nu este destinată utilizării de către persoane (inclusiv copii) cu capacități fizice, senzoriale sau mentale reduse, sau cu lipsă de experiență și cunoștințe.

**AVERTISMENT!** Acest aparat a fost proiectat pentru a fi utilizat cu agentul de curățare furnizat sau recomandat de producător. Utilizarea altor agenți de curățare sau substanțe chimice poate afecta negativ siguranța mașinii.

**AVERTISMENT!** Jeturile de înaltă presiune pot fi periculoase dacă sunt supuse unei utilizări necorespunzătoare. Jeturile nu trebuie să fie îndreptate spre persoane, echipamente electrice sub tensiune sau spre mașina însăși.

**AVERTISMENT!** Recomandați operatorului să poarte protecții pentru urechi.

**AVERTISMENT!** Nu utilizați aparatul în raza de acțiune a persoanelor, cu excepția cazului în care acestea poartă îmbrăcăminte de protecție.

**AVERTISMENT!** Nu îndreptați jetul împotriva dumneavoastră sau a altor persoane pentru a curăța hainele sau încălțăminte.

**AVERTISMENT!** Risc de explozie-Nu pulverizați lichide inflamabile.

**AVERTISMENT!** Aparatele de curățare de înaltă presiune nu trebuie utilizate de copii sau de personal neinstruit.

**AVERTISMENT!** Furtunurile, fittingurile și cuplajele de înaltă presiune sunt importante pentru siguranța mașinii.

Utilizați numai furtunurile, fittingurile și cuplajele recomandate de producător.

**AVERTISMENT!** Pentru a asigura siguranța mașinii, utilizați numai piese de schimb originale ale producătorului sau aprobate de acesta.

**AVERTISMENT!** Apa care a trecut prin dispozitivele de prevenire a refluxului este considerată ca fiind nepotabilă.

**AVERTISMENT!** Mașina trebuie deconectată de la sursa de alimentare prin scoaterea ștecherului de la priză în timpul curățării sau întreținerii și la înlocuirea mașinii cu o altă funcție.

**AVERTISMENT!** Nu utilizați aparatul dacă un cablu de alimentare sau piese importante ale aparatului sunt deteriorate, de exemplu, dispozitivele de siguranță, furtunurile de înaltă presiune, pistolul de declanșare.

**AVERTISMENT!** Dacă se utilizează un prelungitor, ștecherul și priza trebuie să fie de construcție etanșă.

**AVERTISMENT!** Cablurile prelungitoare inadecvate pot fi periculoase. Dacă se utilizează un prelungitor, acesta trebuie să fie adecvat pentru utilizare în exterior, iar conexiunea trebuie să fie ținută uscată și departe de sol. Se recomandă ca acest lucru să fie realizat cu ajutorul unui înfășurător de cablu care să mențină priza la cel puțin 60 mm deasupra solului.

**AVERTISMENT!** Pentru a evita un pericol datorat resetării involuntare a întrerupătorului termic, acest aparat nu trebuie să fie alimentat printr-un dispozitiv de comutare extern, cum ar fi un temporizator, sau conectat la un circuit care este pornit și oprit în mod regulat de către serviciul public.

**AVERTISMENT!** Aparatul este destinat să fie utilizat la o temperatură de peste o grad. (Numai pentru aparatul cu cablu de alimentare de H05VV-F).

**AVERTISMENT!** Pentru a asigura siguranța mașinii, vă rugăm să utilizați numai piese de schimb originale (inclusiv duza) de la producător sau aprobate de acesta. Nu utilizați mașina înainte de a le schimba dacă sunt deteriorate.

**AVERTISMENT!** Aveți grijă la pericolul forței de recul a ansamblului de pulverizare atunci când deschideți pistolul cu declanșator și prindeți pistolul cu mâinile ferm.

**AVERTISMENT!** În timpul deplasării și al instalării, mașina trebuie să fie în plan. Când deplasați mașina, trageți de mâner pentru a o deplasa.

**AVERTISMENT!** Conectați aparatul la alimentarea cu apă.

Asigurați-vă că presiunea de intrare a apei se menține între 0,01MPa și 0,4MPa.

Conducta de admisie trebuie să aibă o lungime de cel puțin 5 M. Nu utilizați conducta dacă aceasta este deteriorată.



**⚠ WARNING** Aparatul nu este potrivit pentru conectarea directă la rețeaua de apă potabilă.

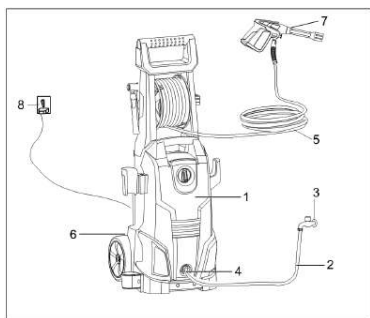
**AVERTISMENT!** Deconectați de la alimentarea cu energie electrică înainte de a efectua întreținerea utilizatorului.

În cazul în care cablul de alimentare este deteriorat, acesta trebuie înlocuit de către producător, de către agentul de service al acestuia sau de către o persoană calificată în mod similar, pentru a evita un pericol.

## Conexiune

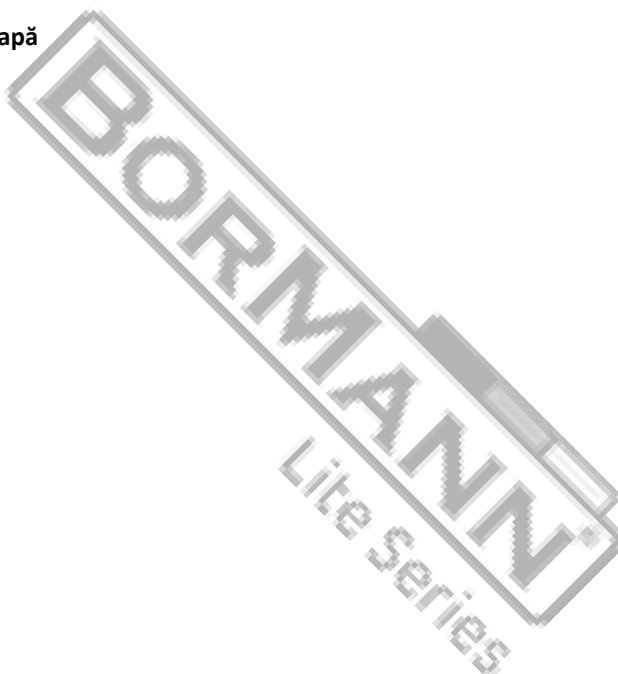
1. Atașați furtunul de înaltă presiune la ieșirea de apă sub presiune a mașinii.
2. Atașați mânerul de pulverizare la furtunul de înaltă presiune. Înainte de a folosi mașina, asigurați-vă că furtunul de înaltă presiune a fost complet derulat. În timp ce mașina este în funcțiune, furtunul NU TREBUIE să se înfășoare.
3. Montați duza sau orice alt echipament pe care doriți să îl utilizați.
4. Conectați aparatul la sursele de apă și de curent.

### Instalare, conexiuni electrice și de apă



1. Aparat de curățat cu presiune
2. Furtun de alimentare cu apă
3. Conexiune la apă
4. Intrarea apei
5. Tub de înaltă presiune
6. Ieșire de apă
7. Pistol de pulverizare
8. Alimentarea cu energie electrică

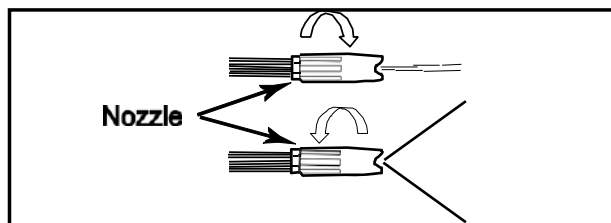
\* No. 2, 3, 8 nu sunt incluse.



## Pre-operație

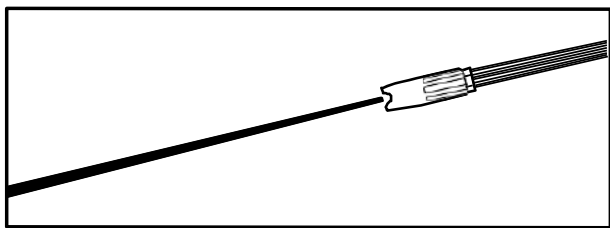
### Reglarea modelului ventilatorului

Unghiul de pulverizare care iese din lance poate fi reglat la unele lănci prin rotirea duzei. Acest lucru va varia modelul de pulverizare de la aproximativ 0°, de la un jet îngust de impact ridicat la un jet în evantai larg de 60° (a se vedea figura 2).



**Figura 2 - Reglarea duzei pentru modelul ventilatorului (nu se aplică la unele duze)**

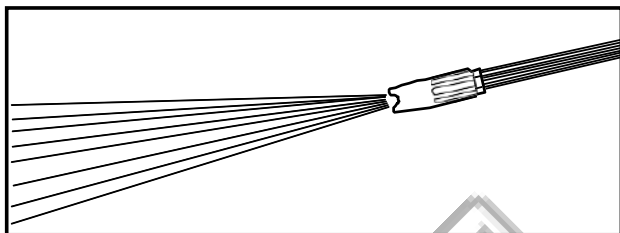




**Figura 3 - Pârâul îngust cu impact ridicat**

Un jet îngust are o forță de impact mare asupra suprafeței de curățare și are ca rezultat o curățare profundă maximă într-o zonă concentrată. Cu toate acestea, acest jet îngust cu impact ridicat trebuie utilizat cu prudență, deoarece poate deteriora unele suprafețe.

Un model de ventilator larg va distribui impactul apei pe o suprafață mai mare, rezultând o acțiune de curățare excelentă, cu un risc redus de deteriorare a suprafețelor.

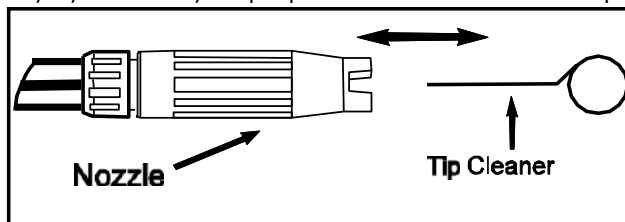


**Figura 4 - Model de pulverizare larg**

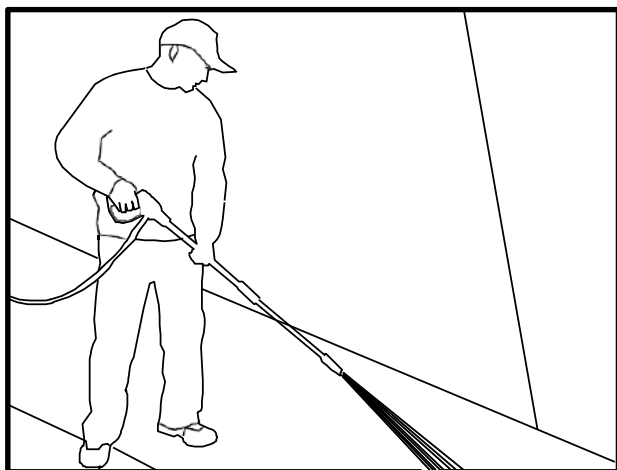
#### Instrucțiuni de curățare a duzei

O duză înfundată sau parțial înfundată poate cauza o reducere semnificativă a apei care iese din duză și poate face ca unitatea să pulseze în timpul pulverizării. Pentru a curăța duza:

- Opriiți și scoateți unitatea din priză.
- Închideți alimentarea cu apă. Eliberați orice presiune reținută în furtun prin apăsarea de 2-3 ori a declanșatorului.
- Separați lancea de armă.
- Rotiți duza până la setarea pentru jet îngust. Acest lucru deschide paletelile ventilatorului.
- Folosind dispozitivul de curățare a vârfului inclus sau o agrafă de hârtie desfăcută, introduceți sârma în orificiul duzei și mișcați-o înainte și înapoi până când resturile sunt îndepărtate. (Consultați figura 5.)



**Figura 5 - Introduceți dispozitivul de curățare a vârfului în orificiul duzei și deplasați-l înainte și înapoi până când se îndepărtează resturile.**



Îndepărtați resturile suplimentare prin spălare cu apă prin duză. Pentru a face acest lucru, plasați capătul unui furtun de grădină (cu apa curgând) la capătul duzei timp de 30-60 de secunde.

#### Unghiul față de suprafața de curățare

Atunci când se pulverizează apă pe o suprafață, impactul maxim este generat atunci când apa lovește suprafața "frontal". Cu toate acestea, acest tip de impact tinde să determine particulele de murdărie să se fixeze în suprafață, împiedicând astfel acțiunea de curățare dorită.

Unghiul optim pentru pulverizarea apei pe o suprafață de curățare este de 45 de grade.

**Figura 6 - Unghiul optim pentru curățarea suprafețelor**

Pulverizarea apei pe o suprafață la acest unghi asigură cea mai benefică forță de impact combinată cu o îndepărtare eficientă a resturilor de pe suprafață.

#### **Distanța față de suprafața de curățare**

Un alt factor care determină forța de impact a apei este distanța de la duza de pulverizare la suprafața de curățare. Forța de impact a apei crește pe măsură ce duza este apropiată de suprafață.

#### **Cum să evitați deteriorarea suprafețelor**

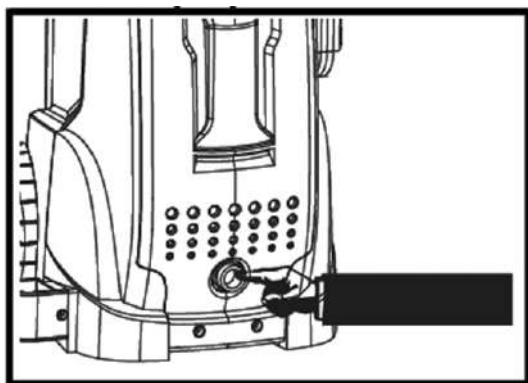
Deteriorarea suprafețelor de curățare apare deoarece forța de impact a apei depășește durabilitatea suprafeței. Forța de impact poate fi modificată prin controlul celor trei elemente menționate anterior. Nu utilizați niciodată un jet de impact îngust și puternic sau o duză turbo/rotitoare pe o suprafață care este susceptibilă de deteriorare. Evitați să pulverizați ferestrele cu un jet îngust de impact ridicat sau cu o duză turbo îngustă, deoarece acest lucru poate provoca spargerea acestora. Cel mai sigur mod de a evita deteriorarea suprafețelor este să urmați acești pași:

1. Înainte de a declanșa pistolul, reglați duza pentru a obține un model de ventilator larg.
2. Așezați duza la aproximativ 4-5 picioare de suprafața de curățare și la 45 de grade față de aceasta și declanșați pistolul.
3. Variați unghiul de pulverizare a modelului ventilatorului și distanța față de suprafața de curățare până când se obține o eficiență optimă de curățare fără a deteriora suprafața.

#### **Duză turbo (nu este inclusă la toate modelele)**

O duză turbo, denumită uneori duză rotativă, este un instrument foarte eficient care poate reduce semnificativ timpul de curățare. Duza turbo combină puterea unui jet îngust cu impact ridicat și eficiența unui model de ventilator de 25 de grade. Aceasta învârtă jetul îngust cu impact ridicat într-o formă conică care curăță o suprafață mai mare.

**ATENȚIE:** Deoarece o duză turbo utilizează un jet îngust de mare impact, utilizați-o numai în aplicații în care suprafața de curățare nu poate fi deteriorată de jetul îngust de mare impact. În plus, duza turbo NU este reglabilă și nu poate fi utilizată pentru a aplica detergent.



**Figura 7**

#### **Filtru de admisie a apei**

Filtrul de admisie a apei trebuie inspectat în mod regulat, pentru a evita blocarea și restricționarea alimentării cu apă a pompei (fig. 7).

#### **Detergenți**

Utilizarea detergenților poate reduce dramatic timpul de curățare și poate ajuta la îndepărtarea petelor dificile. Unii detergenți au fost personalizați pentru a fi folosiți cu ajutorul mașinii de spălat cu presiune în sarcini de curățare specifice. Acești detergenți sunt aproximativ la fel de groși ca apa. Utilizarea detergenților mai groși, cum ar fi săpunul de vase, va bloca sistemul de injecție chimică și va împiedica aplicarea detergentului.

Puterea de curățare a detergenților provine din aplicarea lor pe o suprafață și din faptul că le oferă timp substanțelor chimice să descompună murdăria și murdăria. Detergenții funcționează cel mai bine atunci când sunt aplicați la presiune scăzută.

Combinarea dintre acțiunea chimică și clătirea la presiune înaltă este foarte eficientă. Pe suprafețele verticale, aplicați detergentul începând de jos și urcând în sus. Acest lucru va împiedica detergentul să alunece în jos și să provoace dungii. Clătirea cu presiune înaltă trebuie, de asemenea, să progreseze de jos în sus. În cazul petelor deosebit de dure, poate fi necesară utilizarea unei perii în combinație cu detergenții și clătirea la presiune înaltă.

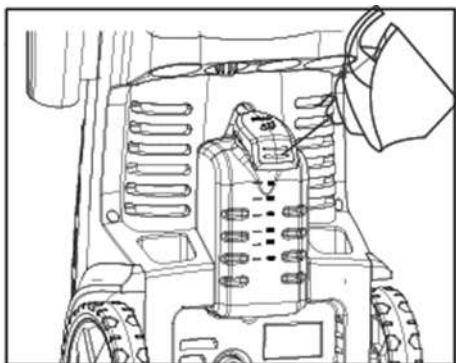


Figura 8

### Utilizarea detergentului

Adăugați detergentul recipient. Setați bagheta de pulverizare reglabilă în poziția de presiune scăzută. (Fig. 8)  
Declanșați pistolul pentru a pulveriza detergentul.

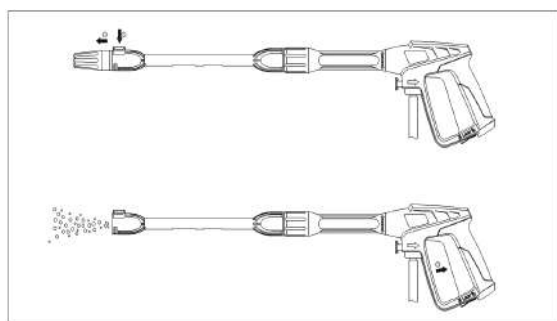


Figura 9

### Metoda de curățare cu spumă

Asigurați-vă că introduceți soluția de curățare în vasul de aspirare încorporat și scoateți vârful, așa cum se arată în figura 9.

## Operațiunea

Următoarea procedură de curățare vă va ajuta să vă organizați activitatea de curățare și să vă asigurați că obțineți cele mai bune rezultate în cel mai scurt timp.

Nu uitați să folosiți tehnicile de pulverizare/curățare enumerate anterior.

### 1. Pregătirea suprafeței

Înainte de a începe o lucrare de curățare prin spălare sub presiune, este important să pregătiți suprafața care urmează să fie curățată. Acest lucru se face prin curățarea zonei de mobilier și prin asigurarea că toate ferestrele și ușile sunt bine închise. În plus, trebuie să vă asigurați că toate plantele și copacii adiacenți zonei de curățare sunt protejați cu o pânză de protecție. Acest lucru va asigura că plantele dvs. nu vor fi stropite de detergenți.

### 2. Clătire inițială la presiune înaltă

Următorul pas este pulverizarea suprafeței de curățare cu apă pentru a îndepărta orice murdărie sau murdărie care s-ar fi putut aduna pe suprafață. Acest lucru va permite detergentului dvs. să atace murdăria din profunzime care și-a făcut loc pe suprafața de curățare. Înainte de a declanșa pistolul, reglați duza la un model de pulverizare în evantai larg și reglați-o încet la modelul de pulverizare dorit. Acest lucru vă va ajuta să evitați să aplicați prea mult spray concentrat pe suprafață, ceea ce ar putea provoca daune.

### 3. Clătirea finală

Începeți clătirea finală de jos în sus. Asigurați-vă că clătiți bine suprafața și că tot detergentul a fost îndepărtat.

#### 4. Închideți

1. Asigurați-vă că tot detergentul este eliminat din sistem.
2. Opriți motorul.
3. Închideți alimentarea cu apă.
4. După ce motorul și alimentarea cu apă sunt oprite, declanșați pistolul pentru a depresuriza sistemul.

**ATENȚIE:** Nu opriți NICIODATĂ alimentarea cu apă înainte de a opri motorul. Se pot produce daune grave la pompă și/sau la motor.

**AVERTISMENT!** Nu deconectați NICIODATĂ furtunul de refulare de înaltă presiune de la mașină în timp ce sistemul este presurizat. Pentru a depresuriza, opriți motorul, opriți alimentarea cu apă și apăsați de 2-3 ori trăgaciul pistolului.

5. După fiecare utilizare, ștergeți toate suprafețele mașinii de spălat cu presiune cu o cârpă curată și umedă.

### 5. Depozitare

Nu depozitați mașina de spălat cu presiune în aer liber.

Nu depozitați mașina de spălat cu presiune într-un loc unde ar putea îngheța.

## Sfaturi pentru prelungirea duratei de viață a mașinii de spălat cu presiune

1. Nu folosiți niciodată unitatea fără apă.
2. Mașina de spălat cu presiune nu este menită să pompeze apă fierbinte. Nu conectați niciodată la alimentarea cu apă caldă - acest lucru va reduce semnificativ durata de viață a pompei.
3. Folosirea unui detergent de altă marcă decât a altora poate provoca deteriorarea componentelor pompei (inele O etc.). Acest lucru este valabil și pentru substanțe chimice precum înălbitorul, detergentul de vase etc.
4. Nu folosiți niciodată aparatul mai mult de un (1) minut fără a pulveriza apă. Acumularea de căldură rezultată va deteriora pompa.
5. Înainte de reglarea presiunii duzei (de la mare la mică sau de la mică la mare) eliberați declanșatorul. În caz contrar, se va reduce durata de viață a inelelor O din lance.

### Depanare

Problema	Cauza posibilă	Rezoluție
Mașina de spălat cu presiune nu pornește	<ol style="list-style-type: none"> <li>1. S-a acumulat presiune în unitate</li> <li>2. Ștecherul nu este bine conectat sau priza electrică este defectă</li> <li>3. Cablul de extensie este prea lung sau dimensiunea firului este prea mică</li> <li>4. Tensiunea de alimentare principală este prea mică</li> <li>5. Siguranța termică s-a declanșat</li> </ol>	<ol style="list-style-type: none"> <li>1. Apasă pe trăgaciul pistolului</li> <li>2. Verificați fișa, priza și siguranța</li> <li>3. Scoateți cablul de extensie</li> <li>4. Verificați dacă alimentarea cu tensiune este adecvată</li> <li>5. Opriti unitatea și lăsați motorul să se răcească</li> </ol>
Pompa nu atinge presiunea necesară	<ol style="list-style-type: none"> <li>1. Filtrul de intrare a apei este înfundat</li> <li>2. Pompa aspiră aerul din racordurile furtunurilor</li> <li>3. Duza este uzată sau nu are dimensiunea corectă</li> <li>4. Dispozitivul de descărcare este înfundat sau uzat</li> <li>5. Supapele sunt înfundate sau uzate</li> </ol>	<ol style="list-style-type: none"> <li>1. Curățați filtrul de intrare a apei</li> <li>2. Verificați dacă conexiunile și inelul de blocare sunt bine strânse.</li> <li>3. Sunați dealerul</li> <li>4. Sunați dealerul</li> <li>4. Sunați dealerul</li> </ol>
Presiune fluctuantă	<ol style="list-style-type: none"> <li>1. Pompa aspiră aer</li> <li>2. Duză înfundată</li> <li>3. Supape murdare, uzate sau blocate</li> <li>4. Garnituri de apă uzate</li> </ol>	<ol style="list-style-type: none"> <li>1. Verificați dacă furtunurile și conexiunile sunt strânse</li> <li>2. Curățați cu un dispozitiv de curățare a vârfulor</li> <li>3. Sunați dealerul</li> <li>4. Sunați dealerul</li> </ol>
Motorul se oprește brusc	<ol style="list-style-type: none"> <li>1. Cablul de extensie este prea lung sau dimensiunea firului este prea mică</li> <li>2. Întrerupătorul de siguranță termică s-a declanșat din cauza supraîncălzirii</li> </ol>	<ol style="list-style-type: none"> <li>1. Scoateți cablul de extensie</li> <li>2. Verificați dacă tensiunea de alimentare corespunde specificațiilor dispozitivului</li> </ol>

**EL**

Τα ηλεκτρικά εργαλεία έχουν κατασκευαστεί με αυστηρά πρότυπα που έχει θέσει η εταιρεία και συνάδουν με τα ευρωπαϊκά πρότυπα ποιότητας. Για τα ηλεκτρικά εργαλεία της εταιρείας μας παρέχεται περίοδος εγγύησης 24 μηνών για ερασιτεχνική χρήση και 6 μηνών για τις μπαταρίες. Η ισχύς της εγγύησης ξεκινά από την ημερομηνία αγοράς του προϊόντος. Αποδεικτικό του δικαιώματος της εγγύησης αποτελεί το παραστατικό αγοράς του εργαλείου (απόδειξη λιανικής ή τιμολόγιο). Σε καμία περίπτωση η εταιρεία δεν καλύπτει τη σχετική δαπάνη ανταλλακτικών και εργασίας εάν και εφόσον δε συνοδεύεται από αντίγραφο του παραστατικού αγοράς. Σε περίπτωση που η επισκευή πρέπει να γίνει στο service μας η δαπάνη μεταφοράς (από και προς) βαρύνει εξ' ολοκλήρου τον αποστολέα. Τα εργαλεία αποστέλλονται για την επισκευή τους στην εταιρεία ή σε εξουσιοδοτημένο συνεργείο με τον ενδεδειγμένο τρόπο και μέσο μεταφοράς.

**ΕΞΑΙΡΕΣΕΙΣ ΚΑΙ ΠΕΡΙΟΡΙΣΜΟΙ ΤΗΣ ΕΓΓΥΗΣΗΣ:**

- 1) Ανταλλακτικά που φθείρονται φυσιολογικά από τη χρήση τους (καρβουνάκια, καλώδιο, διακόπτες, φορτιστές ,τοσκ κ.λ.π).
- 2) Εργαλεία που έχουν υποστεί ζημιές από τη μη συμμόρφωση με τις οδηγίες του κατασκευαστή.
- 3) Εργαλεία με ελλιπή συντήρηση.
- 4) Χρήση μη ενδεδειγμένων λιπαντικών ή εξαρτημάτων.
- 5) Εργαλεία που έχουν δοθεί χωρίς επιβάρυνση.
- 6) Βλάβη που οφείλεται σε ηλεκτρική σύνδεση σε τάση διαφορετική από την αναγραφόμενη στην πινακίδα συσκευής.
- 7) Σύνδεση σε μη γειωμένο ρευματοδότη.
- 8) Μεταβολή της τάσης του ρεύματος.
- 9) Βλάβη που προκύπτει από τη χρήση αλμυρού νερού (π.χ πλυστικά, αντλίες).
- 10) Βλάβη ή κακή λειτουργία που έχει προκύψει από πλημμελή καθαρισμό του εργαλείου.
- 11) Επαφή του εργαλείου με χημικά , ή βλάβη από υγρασία, διάβρωση.
- 12) Εργαλεία που έχουν υποστεί τροποποιήσεις – αλλαγές ή έχουν ανοιχτεί από μη εξουσιοδοτημένο συνεργείο.
- 13) Εργαλεία που χρησιμοποιούνται για ενοίκιαση.

Η εγγύηση καλύπτει αποκλειστικά τη δωρεάν αντικατάσταση του εξαρτήματος που έχει κατασκευαστικό ελάττωμα ή αστοχία υλικού. Σε περίπτωση έλλειψης ανταλλακτικού η εταιρεία διατηρεί το δικαίωμα αντικατάστασης του εργαλείου με άλλο αντίστοιχο μοντέλο. Μετά τη διεκπεραίωση εγγύησης δεν επιμηκύνεται ούτε ανανεώνεται ο χρόνος εγγύησης του εργαλείου. Τα ανταλλακτικά ή τα εργαλεία τα οποία αντικαθίστανται παραμένουν στην κατοχή της εταιρείας μας. Άλλες απαιτήσεις, εκτός από αυτές που αναφέρονται σε αυτό το έντυπο εγγύησης επισκευής ή βλαβών ηλεκτρικών εργαλείων, δεν ισχύουν. Για την εγγύηση αυτή ισχύει το ελληνικό Δίκαιο.

**EN**

The power tools have been manufactured according to strict standards, set by our company, which are aligned with the respective European quality standards. The power tools of our company are provided with a warranty period of 24 months for non-professional use and 6 months for batteries. The warranty is valid from the date of purchase of the product. Proof of the warranty right is the purchase document of the tool (retail receipt or invoice). Under no circumstances shall the company cover the relevant cost of spare parts and respective required working hours unless a copy of the purchase document is presented. In case the repair has to be done by our service department the cost of transportation (to and from) is entirely borne by the sender (client). The tools must be sent for repair to the company or to an authorized workshop in the appropriate way and means of transport.

**WARRANTY EXEMPTIONS AND RESTRICTIONS:**

- 1) Spare parts that wear out naturally as a consequence of being used (brushes, cables, switches, chargers, chokes etc.).
- 2) Tools damaged as a result of non-compliance with the instructions of the manufacturer.
- 3) Tools poorly maintained.
- 4) Use of improper lubricants or accessories.
- 5) Tools given to third entities free of charge.
- 6) Damage due to an electrical connection at a voltage other than that indicated on the appliance plate.
- 7) Connection to a non-earthed power supply.
- 8) Change in current voltage.
- 9) Damage resulting from the use of salty water (e.g., washing machines, pumps).
- 10) Damage or malfunction resulting from improper cleaning procedure of the tool.
- 11) Contact of the tool with chemicals, or damage as a result of moisture or corrosion.
- 12) Tools that have been modified or opened by unauthorized personnel.
- 13) Tools used for rent.

The warranty covers only the free of charge replacement of the component that presents a manufacturing defect or material failure. In case of lack of a specific spare part the company reserves the right to replace the tool with another corresponding model. After all warranty procedures have been concluded, the warranty period of the tool shall not be extended or renewed. The spare parts or tools that are replaced remain in the possession of our company. Requirements, other than those mentioned in this warranty form, regarding power tools repair or damage thereof, do not apply. Greek law and relative regulations apply to this warranty.

**FR**

Les outils électriques sont fabriqués selon des normes strictes, établies par notre société et se sont alignées sur les normes de qualité européennes respectives. Les outils électriques de notre société sont bénéficiés d'une garantie de 24 mois pour une utilisation non professionnelle et de 6 mois pour les batteries. La garantie est valable à partir de la date d'achat du produit. La preuve du droit à la garantie est le document d'achat de l'outil (ticket de caisse ou facture). En aucun cas, l'entreprise ne couvrira le coût des pièces de rechange et des heures de travail nécessaires si une copie du document d'achat n'est pas présentée. Si la réparation doit être effectuée par notre service après-vente, les frais de transport (aller- retour) sont entièrement à la charge de l'expéditeur (client). Les outils doivent être envoyés pour réparation à l'entreprise ou à un atelier agréé de la manière et avec le moyen de transport appropriés.

**EXEMPTIONS ET RESTRICTIONS DE GARANTIE:**

- 1) Les pièces de rechange qui s'usent naturellement suite à leur utilisation (balais, câbles, interrupteurs, chargeurs, etc.).
- 2) Les outils endommagés à la suite du non-respect des instructions du fabricant.
- 3) Des outils mal entretenus.
- 4) L'utilisation de lubrifiants ou d'accessoires inappropriés.
- 5) Les outils donnés à des tiers à titre gratuit.
- 6) Dommages dus à un mauvais branchement électrique ou à une tension différente de celle indiquée sur la plaque de l'appareil.
- 7) À cause d'une connexion à une alimentation électrique non reliée à la terre.
- 8) À cause d'une fluctuation de la tension inacceptable.
- 9) Dommages résultant de l'utilisation d'eau salée (par exemple, machines à laver, pompes).
- 10) Dommages ou dysfonctionnement résultant d'une procédure de nettoyage inadéquate de l'appareil.
- 11) À cause de contact de l'outil avec des produits chimiques, ou dommages résultant de l'humidité ou de la corrosion.
- 12) Les outils qui ont été modifiés ou ouverts par du personnel non autorisé.
- 13) Les outils utilisés à location.

La garantie couvre uniquement le remplacement gratuit du composant qui présente un défaut de fabrication ou une défaillance matérielle. En cas d'absence d'une pièce de rechange spécifique, l'entreprise se réserve le droit de remplacer l'outil par un autre modèle correspondant. Après la conclusion de toutes les procédures de garantie, la période de garantie de l'outil ne sera pas prolongée ou renouvelée. Les pièces de rechange ou les outils remplacés restent en possession de notre société. Les exigences, autres que celles mentionnées dans ce formulaire de garantie, concernant la réparation des outils électriques ou leur endommagement, ne sont pas applicables. La loi grecque et ses règlements s'appliquent à cette garantie.

## EN

### GARANTIE

This appliance is a quality product. It was designed in compliance with current technical standards and made carefully using normal, good quality materials. The warranty period is 24 months and commences on the date of purchase, which can be verified by the receipt, invoice or delivery note. During this warranty period all functional errors, which, despite the careful treatment described in our operating manual, are verifiably due to material flaws, will be rectified by our after-sales service station. The warranty takes the form that defective parts will be repaired or replaced with perfect parts free of charge at our discretion. Replaced parts will become our property. Repair work or the replacement of individual parts will not extend the warranty period nor will it result in a new warranty period being commenced for the appliance. No separate warranty period will commence for spare parts that may be used. We cannot offer a warranty for damage and defects on appliances or their parts caused by the use of excessive force, improper treatment and servicing. This also applies for failures to comply with the operating manual and the installation or spare and accessory parts that are not included in our range of products. In the event of interference with or modifications to the appliance by unauthorized persons, the warranty will be rendered void. Damages that are attributable to improper handling, over loading, or natural wear and tear are excluded from the guarantee. Damages caused by the manufacturer or by a material defect will be corrected at no charge by repair or by providing spare parts. The prerequisite is that the equipment is handed over assembled, and complete with the proof of sale and guarantee. For a guarantee claim, only use the original packaging. That way, we can guarantee quick and smooth guarantee processing. Please send us the appliances post-paid or request a Freeway sticker. Unfortunately we will be unable to accept appliances that are not postpaid. The warranty does not cover parts that are subject to natural wear and tear. If you wish to make a warranty claim, report faults or order spare parts or accessories, please contact the after-sales center below: Subject to change without prior notice

## DE

### GARANTIE

Dieses Gerät ist ein Qualitätsprodukt. Es wurde gemäß den aktuellen technischen Standards entworfen und sorgfältig mit normalen, hochwertigen Materialien hergestellt. Die Gewährleistungsfrist beträgt 24 Monate und beginnt mit dem Kaufdatum, was anhand von Quittung, Rechnung oder Lieferschein überprüft werden kann. Während dieser Garantiezeit werden alle Funktionsfehler, die trotz der in unserer Bedienungsanleitung beschriebenen sorgfältigen Behandlung nachweislich auf Materialfehler zurückzuführen sind, von unseren Kundendienstmitarbeitern behoben. Die Garantie besteht in der Form, dass defekte Teile nach unserem Ermessen kostenlos repariert oder durch einwandfreie Teile ersetzt werden. Ersetzte Teile werden unser Eigentum. Reparaturarbeiten oder der Austausch einzelner Teile verlängern die Garantiezeit nicht und führen nicht zu einer neuen Garantiezeit für das Gerät. Für eventuell verbrauchte Ersatzteile beginnt keine gesonderte Gewährleistungsfrist. Wir können keine Garantie für Schäden und Mängel an Geräten oder deren Teilen geben, die durch übermäßige Gewaltanwendung, unsachgemäße Behandlung und Wartung verursacht wurden. Dies gilt auch für die Nichtbeachtung der Bedienungsanleitung und der Montage- oder Ersatz- und Zubehörteile, die nicht in unserem Sortiment enthalten sind. Bei Eingriffen in die Änderung durch unbefugte Personen am Gerät erlischt die Garantie. Schäden, die auf unsachgemäße Behandlung, Überlastung oder natürliche Abnutzung zurückzuführen sind, sind von der Garantie ausgeschlossen. Schäden, die vom Hersteller oder durch einen Materialfehler verursacht werden, werden durch Reparatur oder Ersatzteillieferung kostenlos behoben. Voraussetzung ist, dass das Gerät zusammen mit dem Verkaufsbeleg und der Garantie zusammengebaut übergeben wird. Verwenden Sie für einen Garantieanspruch nur die Originalverpackung. Auf diese Weise können wir eine schnelle und reibungslose Garantieabwicklung garantieren. Bitte schicken Sie uns die Geräte im Nachhinein oder fordern Sie einen Freeway-Aufkleber an. Geräte, die nicht nachbezahlt werden, können wir leider nicht akzeptieren. Die Garantie erstreckt sich nicht auf Teile, die einem natürlichen Verschleiß unterliegen. Wenn Sie einen Garantieanspruch geltend machen, Fehler melden oder Ersatzteile oder Zubehör bestellen möchten, wenden Sie sich bitte an das Kundendienstcenter: Änderungen vorbehalten.

## FR

### GARANTIE

Cet appareil est un produit de qualité. Il a été conçu conformément aux normes techniques en vigueur et fabriqué avec soin à l'aide de matériaux usuels et de qualité. La période de garantie est de 24 mois et débute à la date d'achat. Elle peut être vérifiée sur le reçu, la facture ou le bon de livraison. Pendant cette période de garantie toutes les erreurs de fonctionnement qui, malgré le traitement minutieux décrit dans notre manuel d'utilisation, sont dues à des défauts matériels, seront corrigées par notre service après-vente. La garantie prend la forme que les pièces défectueuses seront réparées ou remplacées par des pièces parfaites gratuitement à notre discrétion. Les pièces remplacées deviendront notre propriété. Les travaux de réparation ou le remplacement de pièces individuelles ne prolongeront pas la période de garantie et n'entraîneront pas le début d'une nouvelle période de garantie pour l'appareil. Aucune période de garantie séparée ne commencera pour les pièces de rechange susceptibles d'être utilisées. Nous ne pouvons pas offrir de garantie pour les dommages et les défauts des appareils ou de leurs pièces causés par l'utilisation d'une force excessive, un traitement ou un entretien inapproprié. Ceci s'applique également aux cas de non-respect du manuel d'utilisation et de l'installation ou des pièces détachées et accessoires non compris dans notre gamme de produits. En cas d'interférence avec des modifications apportées à l'appareil par des personnes non autorisées, la garantie sera annulée. Les dommages résultant d'une mauvaise manipulation, d'un chargement excessif ou d'une usure naturelle sont exclus de la garantie. Les dommages causés par le fabricant ou par un défaut matériel seront corrigés gratuitement par la réparation ou par la fourniture de pièces de rechange. La condition préalable est que le matériel soit remis assemblé et accompagné de la preuve de vente et de la garantie. Pour une demande de garantie, utilisez uniquement l'emballage d'origine. De cette manière, nous pouvons garantir un traitement rapide et sans heurts des garanties. S'il vous plaît envoyez-nous les appareils post-payés ou demandez un autocollant Freeway. Malheureusement, nous ne pourrions pas accepter les appareils non post-payés. La garantie ne couvre pas les pièces soumises à une usure naturelle. Si vous souhaitez faire une demande de garantie, signaler un défaut ou commander des pièces de rechange ou des accessoires, veuillez contacter le service après-vente ci-dessous: Sujet à modification sans préavis.

## ESP

### GARANTÍA

Este aparato es un producto de calidad. Fue diseñado de acuerdo con las normas técnicas actuales y se hizo con cuidado utilizando materiales normales y de buena calidad. El período de garantía es de 24 meses y comienza en la fecha de compra, que puede verificarse mediante el recibo, la factura o la nota de entrega. Durante este período de garantía, todos los errores funcionales que, a pesar del tratamiento cuidadoso que se describen en nuestro manual de operación, son verificables debido a fallas materiales, serán corregidos por nuestro personal de servicio postventa. La garantía adquiere la forma de que las piezas defectuosas se repararán o reemplazarán con piezas perfectas de forma gratuita a nuestra discreción. Las partes reemplazadas se convertirán en nuestra propiedad. Los trabajos de reparación o el reemplazo de piezas individuales no ampliarán el período de garantía, no dará lugar a que se comience un nuevo período de garantía para el aparato. No se iniciará ningún período de garantía por separado para las piezas de repuesto que puedan ser utilizadas. No podemos ofrecer una garantía por daños y defectos en los aparatos o sus partes causados por el uso excesivo de la fuerza, el tratamiento y el servicio incorrectos. Esto también se aplica a las fallas en el cumplimiento del manual de operación y la instalación o piezas de repuesto y accesorios que no están incluidos en nuestra gama de productos. En caso de interferencia con modificaciones al aparato por parte de personas no autorizadas, la garantía quedará anulada. Los daños que son atribuibles a un manejo inadecuado, sobrecarga o desgaste natural están excluidos de la garantía. Los daños causados por el fabricante o por un defecto de material se corregirán sin costo alguno por reparación o proporcionando piezas de repuesto. El requisito previo es que el equipo se entregue ensamblado y se complete con el comprobante de venta y garantía. Para una reclamación de garantía, utilice únicamente el embalaje original. De esta manera, podemos garantizar un rápido y suave procesamiento de garantías. Por favor, envíenos los electrodomésticos con pospago o solicite una etiqueta de Freeway. Lamentablemente, no podremos aceptar aparatos que no sean de pospago. La garantía no cubre las piezas que están sujetas a desgaste natural. Si desea realizar un reclamo de garantía, informar fallas o solicitar piezas de repuesto o accesorios, comuníquese con el centro de postventa a continuación: Sujeto a cambios sin previo aviso.



## IT

### GARANZIA

Questo apparecchio è un prodotto di qualità. È stato progettato in conformità con le attuali norme tecniche e realizzato con attenzione utilizzando materiali normali di buona qualità. Il periodo di garanzia è di 24 mesi e decorre dalla data di acquisto, che può essere verificata tramite ricevuta, fattura o bolla di consegna. Durante questo periodo di garanzia tutti gli errori funzionali, che, nonostante l'accurato trattamento descritto nel nostro manuale operatore, sono verificabili a causa di difetti dei materiali, verranno risolti dal nostro personale di assistenza post-vendita. La garanzia assume la forma che le parti difettose saranno riparate o sostituite con parti perfette e gratuitamente a nostra discrezione. Le parti sostituite diventeranno di nostra proprietà. I lavori di riparazione o la sostituzione di singole parti non prolungheranno il periodo di garanzia, poiché non si verificherà un nuovo periodo di garanzia per l'apparecchio. Non inizierà alcun periodo di garanzia separato per i pezzi di ricambio che possono essere utilizzati. Non possiamo offrire una garanzia per danni e difetti su apparecchi o loro parti causati dall'uso di forza eccessiva, trattamento e manutenzione inadeguati. Ciò vale anche per il mancato rispetto del manuale operatore e delle parti di installazione o di ricambio e accessori non inclusi nella nostra gamma di prodotti. In caso di interferenza con modifiche all'apparecchio da parte di persone non autorizzate, la garanzia sarà invalidata. Sono esclusi dalla garanzia i danni riconducibili a uso improprio, sovraccarico o usura naturale. I danni causati dal produttore o da un difetto materiale verranno correte gratuitamente mediante riparazione o fornitura di pezzi di ricambio. Il presupposto è che l'attrezzatura sia consegnata assemblata e completa con la prova di vendita e garanzia. Per una richiesta di garanzia, utilizzare solo la confezione originale. In questo modo, possiamo garantirvi un'elaborazione della garanzia rapida e agevole. Vi preghiamo di inviarcene gli elettrodomestici post-pagamento o richiedere un adesivo Freeway. Purtroppo non saremo in grado di accettare apparecchi che non sono postpagati. La garanzia non copre parti soggette a usura naturale. Se si desidera presentare una richiesta di intervento in garanzia, segnalare guasti o ordinare pezzi di ricambio o accessori, contattare il centro assistenza di seguito: soggette a modifiche senza preavviso.

## SLO

### GARANCIJA

Ta aprava je kakovosten izdelek. Zasnovan je bil v skladu s veljavnimi tehničnimi standardi in skrbno izdelan z običajnimi, kakovostnimi materiali. Garancijsko obdobje je 24 mesecev in se začne na dan nakupa, ki ga je mogoče preveriti s potrdilom o prejemu, računom ali dobavnico. V času garancijskega roka bodo vse funkcionalne napake, ki so kljub skrbni obdelavi, opisani v naših navodilih za uporabo, preverljive zaradi materialnih napak, odpravile naše servisno osebje. Garancija prevzame obliko, da bodo okvarjeni deli po lastni presoji brezplačno popravljeni ali zamenjani z brezhibnimi deli. Zamenjani deli bodo postali naša last. Popravila ali zamenjava posameznih delov ne podaljšujejo garancijskega roka, dokler ne začne veljati nova garancijska doba za napravo. Za rezervne dele, ki se lahko pojavijo, se ne bo začelo ločeno garancijsko obdobje. Ne moremo ponuditi garancije za poškodbe in napake na napravah ali njihovih delih zaradi uporabe prekomerne sile, nepravilne obdelave in servisiranja. To velja tudi za neupoštevanje navodil za uporabo in namestitve ali rezervnih delov in dodatkov, ki niso vključeni v našo paleto izdelkov. V primeru motenj v napravi s strani nepooblaščenih oseb, se garancija razveljavi. Poškodbe, ki so posledica nepravilnega ravnanja, obremenitve ali naravne obrabe, so izključene iz garancije. Poškodbe, ki jih povzroči proizvajalec ali materialna napaka, se bodo popravile ali popravile z zagotavljanjem rezervnih delov. Predpogoj je, da se oprema preda sestavljena in skupaj z dokazilom o prodaji in garancijo. Za garancijski zahtevek uporabite samo originalno embalažo. Tako lahko zagotovimo hitro in gladko obdelavo garancij. Prosimo, pošljite nam naprave po plačilu ali zahtevajte nalepko za Freeway. Na žalost ne bomo mogli sprejeti naprav, ki niso postpaid. Garancija ne zajema delov, ki so predmet naravne obrabe. Če želite vložiti zahtevek za garancijo, prijaviti napake ali naročiti nadomestne dele ali dodatno opremo, se obrnite na spodnji prodajni center: Pridržujemo si pravico do sprememb brez predhodnega obvestila

## MLT

### GARANYIJA

Dan l-apparat huwa prodott ta' kwalità. Kienet imfassla f'konformità mal-istandards tekniċi attwali u saret b'ambenzjoni bl-użu ta' materjali normali u ta' kwalità tajba. Il-perjodu tal-garanzija huwa ta' 24 xahar u jibda fid-ditta tax-xiri, li jista' jiġi vverifika bir-riċevuta, fattura jew nota tal-kunsinna. Matul dan il-perjodu ta' garanzija l-iżbalji funzjonali kollha, li, minkejja t-trattament bir-reqqa deskrit fil-manuale operattiva tagħna, huma verifiabbli minhabba difetti materjali, se jiġu kkoreġuti mill-istaff tagħna tas-servizz ta' wara l-bejgħ. Il-garanzija tiegħu l-forma li partiji difettużi se jissewwew jew jiġu sostitwiti bi partiji perfette bla ħlas fid-diskrezzjoni tagħna. Partiji mibdula jsiru proprjetà tagħna. Ix-xogħol ta' tiwija jew is-sostituzzjoni ta' partiji individwali ma jestendux il-perjodu ta' garanzija mhux se jirriżulta f'li jibda perjodu ġdid ta' garanzija għall-apparat. Ma jibda l-ebda perjodu ta' garanzija separat għal spare parts li jistgħu jiġu tedit. Ma nistgħux noffru garanzija għal ħsara u difetti fuq l-apparat jew il-parziet tagħhom ikkawżati mill-użu ta' forza eċċessiva, trattament mhux xieraq u manutenzjoni. Dan japplika wkoll għal nuqqasijiet ta' konformità mal-manwal tat-tħaddim u l-installazzjoni jew partiet ta' rikambju u aċċessorji li mhumiex inkluzi fil-firmita ta' prodo tagħna. Fil-każ ta' interferenza ma' modifiki fl-apparat minn persuni mhux awtorizzati, il-garanzija ssir nulla. Ħsarat li huma attriwi għal immaniġġjar ħażin, tagħbiya żejda, jew xedd u kedd naturali huma esklużi mill-garanzija. Danni kkawżati mill-manifattur jew minn difetti materjali se jiġu kkoreġuti mingħajr ħlas permezz ta' tiwija jew billi jiġu pprovduti spare parts. Il-prekwalifikazzjoni huwa li t-tagħmir jiġi mghoddi immuntat, u komplut bil-prova tal-bejgħ u l-garanzija. Għal talba ta' garanzija, uża biss l-imballaġġ originali. B'dan il-mod, nistgħu nigarantix u processar ta' garanzija malajr u bla xkiel. Jekk jogħġbok ibgħat ilna l-appliances post-paid jew itlob sti er tal-Freeway. Sfortunatament ma nkunux nistgħu naċċaw apparat li ma jithallasx wara. Il-garanzija ma tkoprix partiji li huma soġġet għal ilbies u kedd naturali. Jekk ti tieg tagħmel talba għall-garanzija, irrapporta ħsarat jew tordna spare parts jew aċċessorji, jekk jogħġbok ikkuntattja ċ-ċentru ta' wara l-bejgħ hawn taħt: Soġġett għal bidla mingħajr avviz minn qabel.

## SK

### ZÁRUKA

Tento spotřebič je kvalitní výrobek. Bol navrhnutý v súlade s platnými technickými normami a opatrne používal bežné a kvalitné materiály. Záručná ehota je 24 mesiacov a začína plynúť dátumom nákupu, ktorý je možné overiť potvrdením, faktúrou alebo dodacím listom. Počas tejto záručnej lehoty všetky funkčné chyby, ktoré napriek starostlivej úprave popísanej v našom návode na obsluhu sú overiteľné z dôvodu materiálnych nedostatkov, opravia naši pracovníci popredajného servisu. Záruka má formu, že vadné časti budú opravené alebo nahradené perfektnými dielmi bezplatne podľa nášho uváženia. Nahradené diely sa stanú našimi vlastnosťami. Opravné práce alebo výmena jednotlivých dielov predĺženie záručnej lehoty nevedie k vzniku novej záručnej lehoty pre spotrebič. Za náhradné diely, ktoré môžu byť dodané, sa nezačína samostatná záručná lehota. Nemôžeme ponúknuť záruku na poškodenie a poškodenie spotrebičov alebo ich častí spôsobené nadmernou silou, nesprávnou obsluhou a servisom. Platí to aj pre poruchy v súlade s návodom na obsluhu a inštaláciou alebo náhradnými dielmi a príslušenstvom, ktoré nie sú súčasťou našej ponuky. V prípade zásahu do modifikácie spotrebiča neoprávnenými osobami sa záruka stane neplatnou. Škody, ktoré sú spôsobené nesprávnou manipuláciou, nadmerným zaťažením alebo prirodzeným opotrebovaním, sú z záruky vylúčené. Škody spôsobené výrobcom alebo chybou materiálu budú opravené bezplatne opravou alebo poskytnutím náhradných dielov. Predpokladom je, že zariadenie je odovzdané a kompletné s dokladom o predaji a zárukou. Pokiaľ ide o nárok na záruku, použite iba pôvodný obal. Týmto spôsobom môžeme zaručiť rýchle a plynulé spracovanie záruky. Pošlite nám, prosím, spotrebiče, ktoré ste už zaplatili, alebo požiadajte o nálepku Freeway. Bohužiaľ nebudeme môcť prijímať zariadenia, ktoré nie sú vyplatené. Záruka sa nevzťahuje na časti, ktoré sú vystavené prirodzenému opotrebovaniu. Ak chcete požiadať o záruku, oznámíte chyby alebo objednať náhradné diely alebo príslušenstvo, obráťte sa na nižšie uvedené stredisko popredajného servisu: Podliehajú zmenám bez predchádzajúceho upozornenia.

BG

## ГАРАНЦИЯ

Този уред е качествен продукт. Той е проектиран в съответствие с действащите технически стандарти и е направен внимателно при използване на нормални, качествени материали. Гаранционният срок е 24 месеца и започва да тече от датата на покупката, която може да бъде потвърдена с квитанция, фактура или документ за доставка. По време на този гаранционен период всички функционални грешки, които, въпреки внимателното третиране, описано в нашето ръководство за експлоатация, са проверими поради материални недостатъци, ще бъдат отстранени от нашия сервизен персонал. Гаранцията приема формата, в която дефектните части ще бъдат ремонтирани или заменени с перфектни части безплатно по наше усмотрение. Подменените части ще станат наша собственост. Ремонтните работи или подмяната на отделни части няма да удължат гаранционния срок, без това да доведе до започване на нов гаранционен период за уреда. За резервни части, които могат да бъдат поставени, няма да започне отделен гаранционен срок. Не можем да предложим гаранция за повреди и дефекти на уредите или техните части, причинени от използването на прекомерна сила, неправилно третиране и обслужване. Това важи и за неспазване на ръководството за експлоатация и инсталацията, както и резервни и допълнителни части, които не са включени в нашата гама от продукти. В случай на намеса в модификации на уреда от неупълномощени лица, гаранцията ще бъде премахната. Щети, които се дължат на неправилно боравене, натоварване или естествено износване, са изключени от гаранцията. Щети, причинени от производителя или от дефект на материала, ще бъдат поправени без заплащане чрез ремонт или чрез предоставяне на резервни части. Предпоставка е оборудването да се съглобява и да се допълни с доказателство за продажба и гаранция. За гаранционна претенция използвайте само оригиналната опаковка. По този начин можем да гарантираме бърза и гладка обработка на гаранциите. Моля, изпратете ни уредите след плащане или заявете стикер на Freeway. За съжаление няма да можем да приемаме уреди, които не са с абонамент. Гаранцията не покрива части, които са обект на естествено износване. Ако желаете да направите гаранционна претенция, да съобщите за неизправности или да поръчате резервни части или аксесоари, моля свържете се с центъра за поддръжка по-долу: Подлежи на промяна без предизвестие.

RO

## GARANȚIE

Acest aparat este un produs de calitate. A fost proiectat în conformitate cu standardele tehnice actuale și a făcut cu atenție materiale normale, de bună calitate. Perioada de garanție este de 24 de luni și începe la data cumpărării, care poate fi verificată prin chitanță, factură sau buletin de livrare. În timpul acestei perioade de garanție, toate erorile funcționale, care, în ciuda tratamentului atent descris în manualul nostru de utilizare, sunt verifiabile din cauza defectelor materiale, vor fi rectificate de personalul nostru de service post-vânzare. Garanția ia forma faptului că piesele defecte vor fi reparate sau înlocuite cu piese perfecte gratuit, la discreția noastră. Piesele înlocuite vor deveni proprietatea noastră. Lucrările de reparații sau înlocuirea pieselor individuale nu vor prelungi perioada de garanție, deoarece nu vor duce la începerea unei noi perioade de garanție pentru aparat. Nu se va începe nici o perioadă de garanție separată pentru piesele de schimb care pot fi incluse. Nu putem oferi o garanție pentru defectiunile și defectele aparatelor sau ale pieselor acestora cauzate de utilizarea forței excesive, tratarea necorespunzătoare și întreținerea. Acest lucru se aplică și în caz de nerespectare a manualului de utilizare și a pieselor de instalare sau de rezervă și accesoriilor care nu sunt incluse în gama noastră de produse. În caz de interferență cu modificările aduse aparatului de către persoane neautorizate, garanția va fi anulată. Daunele care pot fi atribuite manipulării necorespunzătoare, supraîncălzirii sau uzurii naturale sunt excluse din garanție. Deteriorările cauzate de producător sau de un defect material vor corectate gratuit, prin reparații sau prin furnizarea de piese de schimb. Condiția prealabilă este ca echipamentul să fie predat în asamblare și să fie completat cu dovada vânzării și a garanției. Pentru o cerere de garanție, utiliți numai ambalajul original. În acest fel, putem garanta procesarea rapidă și fără probleme a garanției. Trimiteți-ne aparatele post-plăți și sau solicitați un autocolant Freeway. Din păcate, nu vom putea accepta dispozitive care nu sunt plătiți și post-paid. Garanția nu acoperă piese care sunt supuse uzurii naturale. Dacă doriți să solicitați o garanție, să semnalizați defectiuni sau să comandați piese de schimb sau accesoriile, vă rugăm să contactați centrul de asistență tehnică de mai jos: Pot fi modificate fără o notiare prealabilă.

NMK

## ГАРАНЦИЈА

страна на нашите сервисни служби. Гаранцијата е во форма која дефектните делови ќе бидат поправени или заменети со совршени делови бесплатно по наша дискреција. Заменетите делови ќе станат наш сопственост. Поправки или замена на поединечни делови нема да го продолжат гарантниот рок, туку ќе резултира со започнување на нов гарантен рок за апаратот. Нема да отпочне одделен гарантен рок за резервни делови што може да се користат. Не можеме да понудиме гаранција за оштетувања и дефекти на апаратите или нивните делови предизвикани од употреба на прекомерна сила, неправилен третман и сервисирање. Ова исто така важи и за неуспехот да се усогласат со оперативниот прирачник и инсталационите или резервните и помошни делови што не се вклучени во нашиот асортиман на производи. Во случај на пречки во промените на апаратот од страна на неовластени лица, гаранцијата ќе биде поништена. Оштетувањата што се припишуваат на неправилно ракување, над товарење или природна употреба се исклучени од гаранцијата. Оштетувањата предизвикани од производителот или од материјален дефект ќе бидат поправени без надомест со поправка или со обезбедување на резервни делови. Предуслов е дека опремата е предадена собрани, а заврши со доказ за продажба и гаранција. За барање за гаранција, користете го оригиналното пакување. На тој начин можеме да гарантираме брза и непречена обработка на гаранциите. Ве молиме испратете ги апаратите пост-пејд или побарајте налепница со Freeway. За жал нема да можеме да прифатиме апарати кои не се пост-пејд. Гаранцијата не ги покрива деловите што се предмет на природно абеење. Ако сакате да поднесете барање за гаранција, да пријавите грешки или да нарачате резервни делови или додатоци, ве молиме контактирајте го центарот за продавање подолу: Предмет на промена без претходна најава. најава.

HUN

## GARANCIÁ

Ez a készülék minőségi termék. Úgy tervezték, hogy megfeleljen a jelenlegi műszaki szabványoknak, és gondosan, normál, jó minőségű anyagokkal készült. A jótállási idő 24 hónap, és a vásárlás napján kezdődik, amelyet a kézhezvétellel, a számla vagy a kézbesítési értesítés igazolhat. A garanciaidő alatt minden olyan funkcionális hiba, amely az üzemeltetési utasításunkban leírt gondos kezelés ellenére bizonyíthatóan az anyagi hibák miatt következik be, a vevőszolgálatunk javítja. A garancia olyan formája, hogy a hibás alkatrészek javítása vagy cseréje a tökéletes alkatrészekkel ingyenes. A cserélt részek tulajdonunk lesz. A javítási munkák vagy az egyes részek cseréje nem hosszabbítja meg a jótállási időszakot, és nem eredményez új garanciaidő megkezdését a készülék számára. Nincs külön garanciaidő a pótalkatrészek esetén. Nem nyújtunk garanciát a készülékek vagy alkatrészeik károsodására és hibáira a túlzott erő, a helytelen kezelés és a karbantartás miatt. Ez vonatkozik az üzemeltetési utasítás és a telepítés, illetve a tartalék és tartozék alkatrészeinek meg nem felelésére is, amelyek nem tartoznak a termékínálatunkba. Abban az esetben, ha a készülék jogosulatlan személy általi módosításai zavarnak, a garancia érvényét veszti. A nem megfelelő kezelés, a terhelés vagy a természetes kopás okozta károk nem tartoznak a garancia hatálya alá. A gyártó vagy az anyaghiba által okozott károkat a javítás vagy a pótalkatrészek beszerzése nélkül kijavítják. Az előfeltétel az, hogy a berendezést összeszerelték, és az értékesítés és a garancia igazolásával megkezdődött. A garancia igényléséhez csak az eredeti csomagolást használja. Így garantálhatjuk a gyors és zökkenőmentes garanciafeldolgozást. Kérjük, küldje el nekünk a készüléket utólag fi etett vagy kérjen Freeway matricát. Sajnos nem tudjuk elfogadni a nem utólag fi etett készülékeket. A garancia nem terjed ki a természetes kopásnak kitett alkatrészekre. Ha garanciális igényt kíván nyújtani, hibákat jelenteni vagy pótalkatrészeket vagy tartozékokat rendelni, kérjük, vegye fel a kapcsolatot az alábbi értékesítési közponal: Előzetes értesítés nélkül változhat.

POL

## GWARANCJA

To urządzenie jest produktem wysokiej jakości. Został zaprojektowany zgodnie z aktualnymi standardami technicznymi i wykonany starannie przy użyciu zwykłych, dobrej jakości materiałów. Okres gwarancji wynosi 24 miesiące i rozpoczyna się w dniu zakupu, który można zweryfikować za pomocą paragonu, faktury lub dowodu dostawy. W okresie gwarancji wszystkie błędy funkcjonalne, które pomimo starannego traktowania opisanego w naszej instrukcji obsługi, są weryfikowane przez wady materiałowe, zostaną naprawione przez nasz personel obsługi posprzedażnej. Gwarancja ma formę, w której wadliwe części zostaną naprawione lub wymienione na części zamiennie bezpłatnie według naszego uznania. Wymienione części staną się naszą własnością. Naprawa lub wymiana pojedynczych części nie przedłuża okresu gwarancji, nie spowoduje to rozpoczęcia nowego okresu gwarancyjnego dla urządzenia. Nie rozpocznie się oddzielny okres gwarancji na części zamiennie, które mogą być używane. Nie możemy zaoferować gwarancji na uszkodzenia i usterki urządzeń lub ich części spowodowane użyciem nadmiernej siły, niewłaściwego traktowania i serwisowania. Dotyczy to również nieprzestrzegania instrukcji obsługi i instalacji lub części zamiennych i akcesoriów, które nie są zawarte w naszej ofercie produktów. W przypadku ingerencji w modyfikację urządzenia przez osoby nieuprawnione, gwarancja zostanie unieważniona. Szkody, które można przypisać niewłaściwej obsłudze, nadmiernemu obciążeniu lub naturalnemu zużyciu, są wyłączone z gwarancji. Uszkodzenia spowodowane przez producenta lub wadę materiałową zostaną naprawione bezpłatnie przez naprawę lub przez dostarczenie części zamiennych. Warunkiem wstępnym jest przekazanie sprzętu w komplecie wraz z dowodem sprzedaży i gwarancją. W przypadku reklamacji należy używać tylko oryginalnego opakowania. W ten sposób możemy zagwarantować szybkie i płynne przetwarzanie gwarancji. Prześlij nam urządzenia post-paid lub zamów naklejkę na autostradę. Niestety nie będziemy mogli akceptować urządzeń, które nie są opłacane z dołu. Gwarancja nie obejmuje części ulegających naturalnemu zużyciu. Jeśli chcesz zgłosić roszczenie gwarancyjne, zgłośić usterki lub zamówić części zamiennie lub akcesoria, skontaktuj się z następującym centrum obsługi posprzedażnej: Zastrzega się możliwość zmian bez uprzedzenia.

ALB

## GARANCI

Kjo pajisje është një produkt cilësor. Washtë hartuar në përputhje me standardet aktuale teknike dhe është bërë me kujdes duke përdorur materiale normale, me cilësi të mirë. Periudha e garancisë është 24 muaj dhe fillon në datën e blerjes, e cila mund të vërtetohet me faturën, fakturën ose dorëzimin. Gjatë kësaj periudhe garancie, të gjitha gabimet funksionale, të cilat, përkundër trajtimit të kujdesshëm të përshkruar në manualin tonë të funksionimit, janë verifikuar për shkak të metave të materialit, do të korrigjohen nga stafi ynë i shërbimit pas shitjes. Garancia merr formën që pjesët e dëmtuara do të riparohen ose zëvendësohen me pjesët të përsosura falas, sipas gjykimit tonë. Pjesët e zëvendësuara do të bëhen pronë jonë. Puna e riparimit ose zëvendësimit i pjesëve individuale nuk do të zgjasë periudhën e garancisë, por nuk do të rezultojë në fillimin e një periudhe të re garancie për pajisjen. Asnjë periudhë e veçantë e garancisë nuk do të fillojë për pjesët rezervë që mund të merren. Ne nuk mund të ofrojmë një garanci për dëmtimin dhe defektet e pajisjeve ose pjesëve të tyre të shkaktuara nga përdorimi i forcës së tepërt, trajtimi dhe shërbimi i pahijshëm. Kjo gjithashtu vlen për dëmtimin e pajisjes me manualin e funksionimit dhe instalimin ose pjesët rezervë dhe aksesori që nuk përfshihen në gamën tonë të produkteve. Në rast ndërhyrjeje në modifikim të pajisjes nga persona të autorizuar, garancia do të hiqet. Dëmet që mund të atribuohen trajtimit të pahijshëm, ngarkimit të tepërt, ose konsumit natyror, përjashtohen nga garancia. Dëmet e shkaktuara nga prodhuesi ose nga një defekt i materialit do të korrigjohen pa pagesë me riparim ose duke siguruar pjesë këmbimi. Parakushti është që pajisjet të dorëzohen të montuara, dhe të kompletuara me provën e shitjes dhe garancisë. Për një kërkesë garancie, përdorni vetëm paketimin origjinal. Në atë mënyrë, ne mund të garantojmë përpunim të shpejtë dhe të qetë të garancisë. Ju lutemi na dërgoni pajisjet me postë të paguar ose kërkonte një afishe autostradë. Për fat të keq, ne nuk do të jemi në gjendje të pranohim pajisje që nuk janë me kontratë. Garancia nuk përfshin pjesë që i nënshtrohen konsumit natyror. Nëse dëshironi të bëni një kërkesë për garanci, të raportoni gabime ose të porosisni pjesë rezervë ose pajisje, ju lutemi kontaktoni qendrën pas shitjes më poshtë: Subjekti për të ndryshuar pa njoftim pa apak.

HR

## JAMSTVO

Ovaj je uređaj kvalitetan proizvod. Dizajniran je u skladu s trenutnim tehničkim standardima i izrađen je pažljivo koristeći normalne, kvalitetne materijale. Garancijsko razdoblje je 24 mjeseca i započinje datumom kupnje, što se može potvrditi potvrdom primitka, računa ili dostavnice. Tijekom ovog jamstvenog razdoblja sve će funkcionalne pogreške, koje su unatoč pažljivom postupanju opisanim u našem priručniku za upotrebu provjerljivo zbog materijalnih nedostataka, otkloniti od strane našeg servisnog osoblja. Jamstvo ima oblik da će se oštećeni dijelovi besplatno popraviti ili zamijeniti savršenim dijelovima, po našem nahođenju. Zamijenjeni dijelovi postat će naše vlasništvo. Popravak ili zamjena pojedinih dijelova neće produžiti jamstveno razdoblje, jer neće rezultirati novim jamstvenim rokom za uređaj. Neće započeti zasebni jamstveni rok za rezervne dijelove koji se mogu trošiti. Ne možemo pružiti jamstvo za oštećenja i oštećenja uređaja ili njihovih dijelova uzrokovanih prekomjernom silom, nepravilnim postupanjem i servisiranjem. To se također odnosi i na neusklađivanje s uputama za uporabu i instalacijskim ili rezervnim i pomoćnim dijelovima koji nisu uključeni u naš asortiman proizvoda. U slučaju ometanja neovlaštenih osoba na izmjenama uređaja, jamstvo će se poništiti. Oštećenja koja se mogu pripisati nepravilnom rukovanju, preopterećenju ili prirodnom habanju isključena su iz jamstva. Štete uzrokovane proizvođačem ili oštećenjem materijala ispravit će se besplatnim popravkom ili osiguranjem rezervnih dijelova. Preduvjet je da se oprema preda u sastavu, zajedno s dokazom o prodaji i garancijom. Za garancijski zahtjev koristi se samo originalno pakiranje. Na taj način možemo jamčiti brzu i glatku obradu jamstava. Pošaljite nam uređaje naknadno ili zatražite naljepnicu autoputa. Nažalost, nećemo biti u mogućnosti prihvatiti uređaje koji nisu preplaćeni. Jamstvo ne obuhvaća dijelove koji su podložni prirodnom habanju. Ako želite podnijeti zahtjev za jamstvom, prijaviti kvarove ili naručiti rezervne dijelove ili pribor, molimo kontaktirati najbliži prodajni centar: Podložno promjenama bez prethodne najave.

SRB

## ГAРАНЦИЈА

Ovaj aparat je kvalitetan proizvod. Dizajniran je u skladu sa trenutnim tehničkim standardima i rađen pažljivo koristeći normalne, kvalitetne materijale. Garantni rok je 24 meseca i započinje danom kupovine, što se može verifikovati primaњem, fakturnom ili otpremnicom. Tokom ovog garantnog perioda, sve funkcionalne greške koje se, uпрkoc pažljivom postupanju opisanom u našem uputstvu za upotrebu, verovatno mogu proveriti zbog materijalnih nedostataka, otkloniti od strane нашег сервисног особља. Гаранција добија облик да ће се неисправни делови поправити или заменити савршеним деловима бесплатно по нашем нахођењу. Замене делови постаће наше власништво. Поправци или замена појединих делова неће продужити гарантни рок јер неће резултирати новим гаранцијским роком за апарат. Неће почети посебан гарантни рок за резервне делове који се могу напунити. Не можемо пружити гаранцију за оштећења и оштећења уређаја или њихових делова насталих прекомерном силом, неправилним третманом и сервисирањем. Ово се такође односи и на непоштовање упутства за употребу и инсталационих или резервних и помоћних делова који нису обухваћени нашим асортиманом производа. У случају ометања модификација уређаја од стране неовлашћених особа, гаранција ће се поништити. Оштећења која се могу приписати неправилном руковању, преоптерећењу или природном хабању су искључена из гаранције. Оштећења настала од стране произвођача или оштећења материјала исправљаће се или поправљањем резервних делова бесплатно. Предуслов је да се опрема преда у саставу, заједно са доказом о продаји и гаранцијом. За захтев о гаранцији користите само оригинално паковање. На тај начин можемо гарантовати брзу и глатку обраду гаранција. Пошаљите нам уређаје накнадно или затражите налепницу са аутопута. Нажалост, нећемо бити у могућности да прихватимо уређаје који нису плаћени. Гаранција не покрива делове који су изложени природном хабању. Ако желите да поднесете захтев за гаранцијом, пријавите грешке или наручите резервне делове или додатну опрему, молимо контактирајте доњи продајни центар: Могу се променити без претходне најаве.

