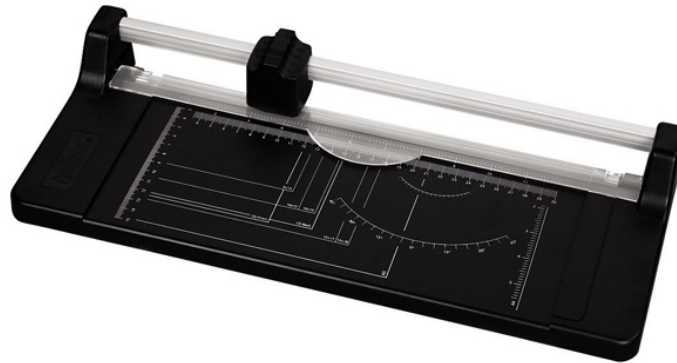


HAMA Cut R320 Paper Trimmer



SKU: IT40525

€25.00

Specifications

Technical Specifications

- Ideal for paper and film, round blades made of hardened steel, transparent clamping ruler
- Guide rail made of aluminium, replaceable cutting head
- Scale for cutting for analogue and digital image and DIN formats and CD/DVD covers
- Angle lines for tilted cuts in 5 ° steps
- Cutting Height: Max. 5 sheets of 80gsm (0.5 mm)
- 'Box contents: 1 roll cutting machine easy cut R 320 "
- Dimensions: 44.8 x 19.8 x 7.4 cm